



Premier Series

Injection-moulded Thermoplastic Battery Unit

nexus



The **Premier battery unit Series** is designed with aesthetics, ease of installation and performance in mind

Standard Features

- Simple, compact and contemporary design
- Wall-mount or ceiling-mount installation (specify)
- Two-piece housing of injection-molded thermoplastic
- MR16 halogen lamps, shielded by clear polycarbonate covers
- Sealed, maintenance-free, Lead-Calcium or Nickel-Cadmium batteries
- Dual voltage input: 120/277 Vac.
- Total load capacity up to 72Watts
- UL924 listed
- Advanced diagnostic-audible (optional)
- Listed for damp locations (optional)
- NEXUS® interface (optional)

Flat Ceiling Mount



Suggested Specification

Supply and install **Premier Series** of battery unit equipment. The unit construction shall include a housing and a front cover of high-impact thermoplastic molded in white. No screws shall be necessary to hold the front cover to the housing. The unit shall be equipped at the bottom with two emergency heads with adjustable swivels and long-life MR-16 lamps of ___ V ___W protected by snap-on shock-absorbent, clear polycarbonate covers. The unit shall be suitable for wall mount or as otherwise specified.

The unit shall be suitable for wall or ceiling mount application (please specify). The unit equipment shall have a dual-voltage input of 120/277Vac and shall be equipped with a test switch and a pilot light, located on the left side. The housing shall host the battery and the battery charger. The battery charger and other unit functions shall be driven by a micro-controller. All electronic circuitry shall be installed on a single printed circuit board.

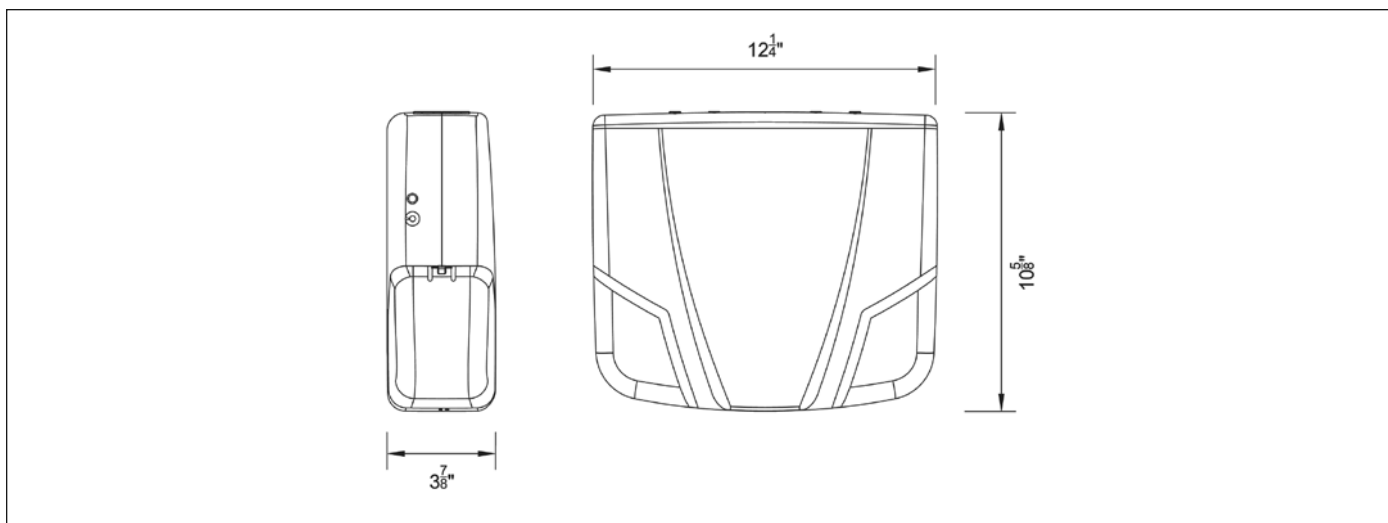
When specified, the unit equipped with Advanced Diagnostic shall automatically self-test for one minute every 30 days, 30 minutes in the 6th month and 90 minutes annually. When a fault is detected, the bi-color pilot light shall turn from green to red and start flashing. A legend on a label next to the pilot light shall display the source of failure: battery, charger circuitry or lamp load.

The unit equipment shall be UL924 listed.

The unit equipment shall be **Emergi-Lite** model:
_____.

Outline and Dimensions

Dimensions are approximate and subject to change.



Power Consumption Chart

Model	AC Specs		Watts to 87.5% of rated battery voltage(*)			
			1 1/2 hours	2 hours	3 hours	4 hours
18M	6 Volts	0.25 / 0.12 A	18	14	9	-
30M	6 Volts		30	20	15	10
40M	6 Volts		40	30	20	15
60M	6/12 Volts		60	40	30	20
72M	12 Volts	0.2 / 0.1 A	72	54	36	27
20NC	6 Volts		20	15	10	8
40NC	12 Volts		40	30	20	15
50NC	12 Volts		50	36	24	18

*National Electrical Code specification

Unit Warranty*

Unit carries a 5-year full warranty. (excluding lamps and fuses)

Replacement Batteries

Model	Battery Type
860.0018-E	Lead Calcium
860.0010-E	Lead Calcium
860.0064-E	Lead Calcium
002006-E	NiCad
022290-E	NiCad

Replacement Lamps

Model	Lamp Type	Voltage-Wattage
580.0074-E	MR16	6V6W
580.0079-E	MR16	6V10W
580.0099-E	MR16	12V10W
580.0080-E	MR16	12V12W
580.0075-E	MR16	12V20W
580.0096-E	LED MR16	12V4W

Wire Guards

WG1-E	Wall or flat ceiling mount
-------	----------------------------

How To Order

Battery Unit

Example: PR18M2MI

Housing color	Series/Capacity	Number of heads	Lamp/Wattage	Unit type	Options
Blank= white B= black	PR18M=6V18W lead cal PR30M= 6V30W lead cal PR60M= 6V60W lead cal 12PR40M= 12V40w lead cal 12PR60M= 12V60W lead cal 12PR72M=12V72W lead cal PR20NC= 6V20W NiCad 12PR40NC= 12V40W NiCad 12PR50NC= 12V50W NiCad	Blank= 0 heads 2= two heads	*MI= 6V6W MR16 *MJ= 6V10W MR16 *MO= 12V10W MR16 *MK= 12V12W MR16 MG=12V20W MR16 *LH= 12V4W LED MR16 * Available with Damp Location.	Blank= standard -D= advanced diagnostics non-audible -DA= advanced diagnostics-audible NEX*= NEXUS® interface NEXRF*= NEXUS® wireless	Blank= no option -D3= time delay (15 mins)* -CM= ceiling mount -DL= Damp Location *Not available with NEXUS®