

Prestige Series - Edge-Lit LED Exit Series

AC, AC/DC and Self-Powered models

IMPORTANT SAFEGUARDS

When using electrical equipment, basic safety precautions should always be followed including the following:

READ AND FOLLOW ALL SAFETY INSTRUCTIONS

1. Do not use outdoors.
2. Do not let power supply cords touch hot surfaces.
3. Do not mount near gas or electric heaters.
4. Equipment should be mounted in locations and at heights where it will not readily be subjected to tampering by unauthorized personnel.
5. The use of accessory equipment not recommended by the manufacturer may cause an unsafe condition.
6. Do not use this equipment for other than intended use.
7. All servicing should be performed by qualified service personnel.

SAVE THESE INSTRUCTIONS

Installation Instructions

Turn off AC power.

Recessed mount installation (New construction or rear access) (Figure 2)

1. Remove the proper knockout in the back box for the entry of the AC wires.
2. Assemble the recessed mount brackets to the back box. Install the bar hangers in the adjustment brackets. Mount the back box so that it is flush with the wall or ceiling surface.
3. Route AC unswitched circuit of rated voltage into the back box and leave 6" of wire length.
4. Connect the incoming ground to the short ground wire provided in the back box.

Surface mount installation (Figures 3a,b,c)

1. Route the wires through the side opening of the spider plate. Mount the spider plate to the electrical box using the junction box screws (check figures 3a,b or c for spider plate orientation).
2. Remove the proper knockouts in the back box for mounting to the canopy.
3. Mount the canopy to the back box using the hardware supplied.
4. Route wires from the harness through the back box and canopy.
5. Using the hook provided, hang the canopy/back box assembly to the spider plate (figure 7).
6. Go to electrical connections for wiring information.
7. Mount the canopy/back box assembly to the spider plate using the two 1" screws provided..

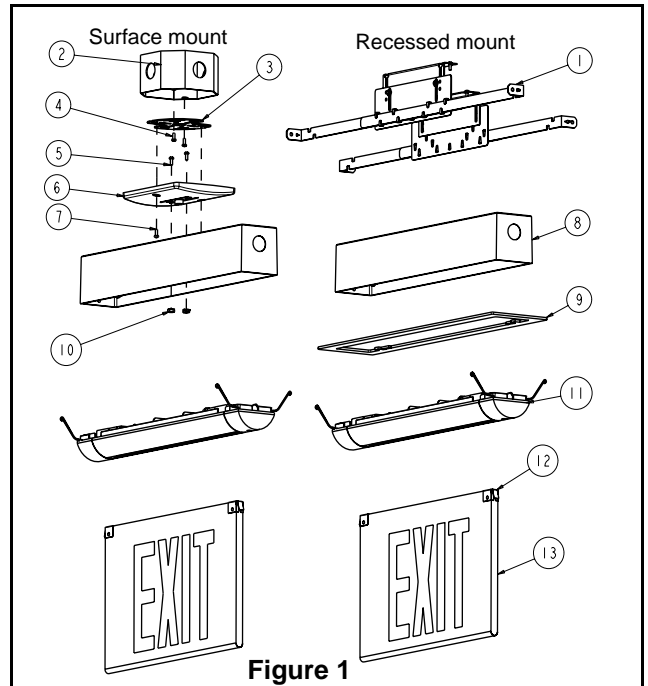


Figure 1

Part List

- | | |
|--|------------------------------|
| 1. Recessed mount brackets (recessed only) | 7. 1" screws (2) |
| 2. Junction box | 8. Back box |
| 3. Spider plate | 9. Trim ring (recessed only) |
| 4. Junction box screws(not provided) | 10. Nuts (2) |
| 5. 1/2" screws (2) | 11. Trim plate assembly |
| 6. Canopy | 12. Clips (2) |
| | 13. Exit panel |
| | 14. Hook (refer to fig.7) |

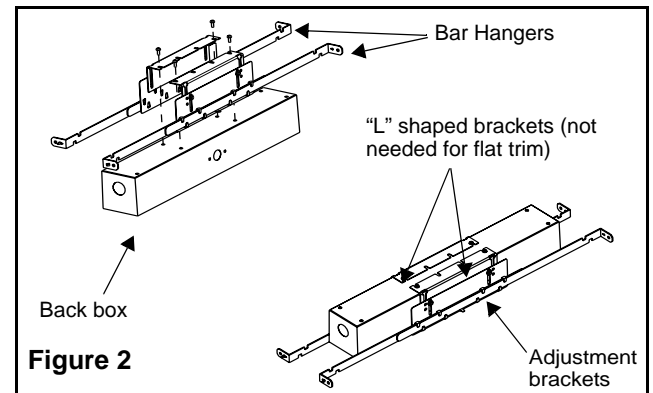


Figure 2

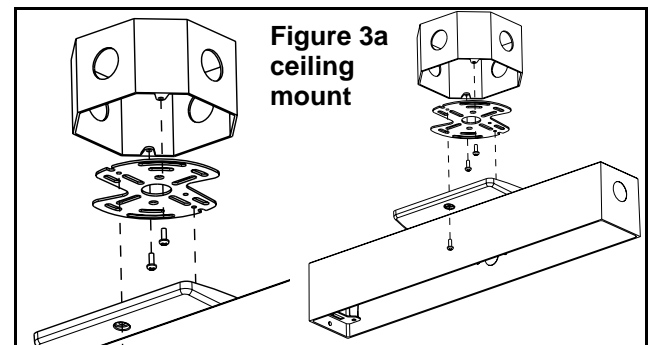


Figure 3a
ceiling
mount

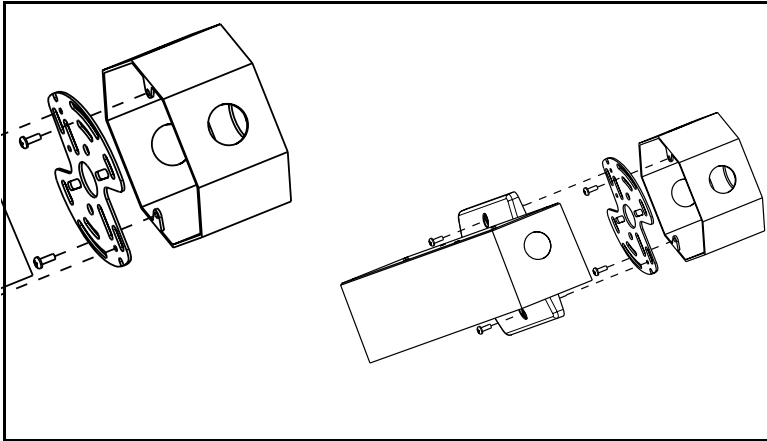


Figure 3b wall mount

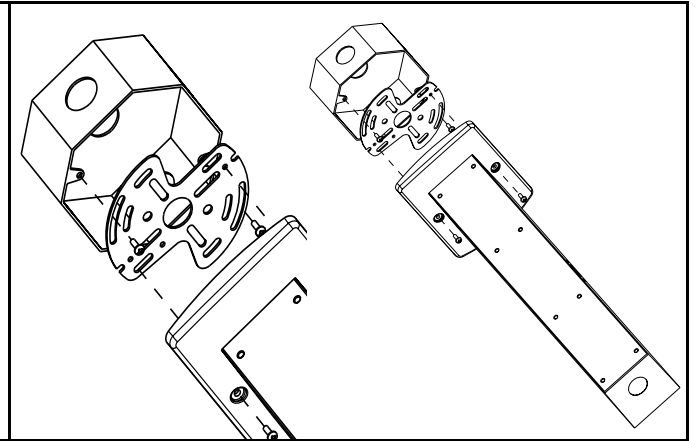


Figure 3c end mount

Trim plate installation

1. The trim plate module comes assembled for surface mount or recessed ceiling mount installation (Figure 4). If surface or recessed ceiling mount, continue with step 3.

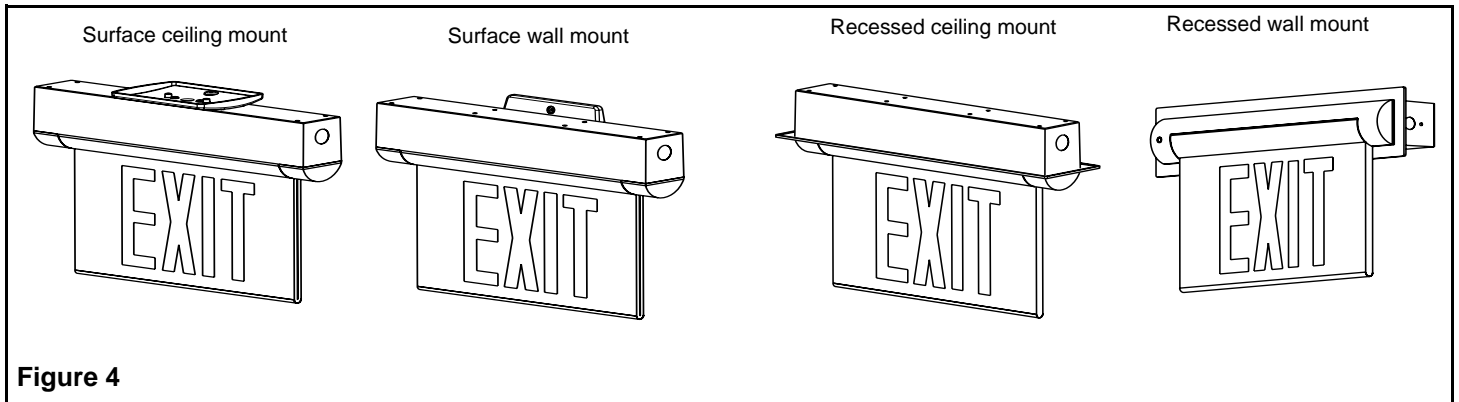


Figure 4

2. Recessed wall-mount installation (Figures 5a,b,c)

- a. To remove the electronic module push the bracket with test switch to the side using your thumb. If the unit has a transformer: disconnect the transformer harness from the electronic module in the plastic housing. Remove the electronic module.
- b. Unscrew the side plate of the trim plate body. Turn the side plate around and screw it back in place, this time flush with the trim plate body.

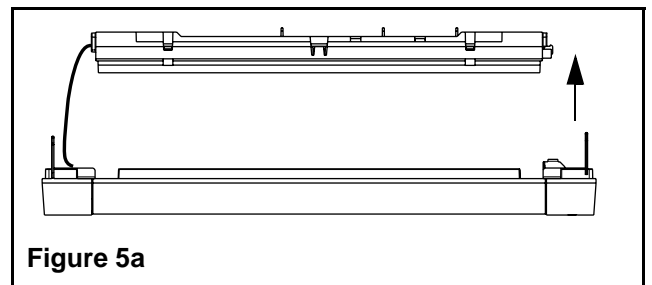


Figure 5a

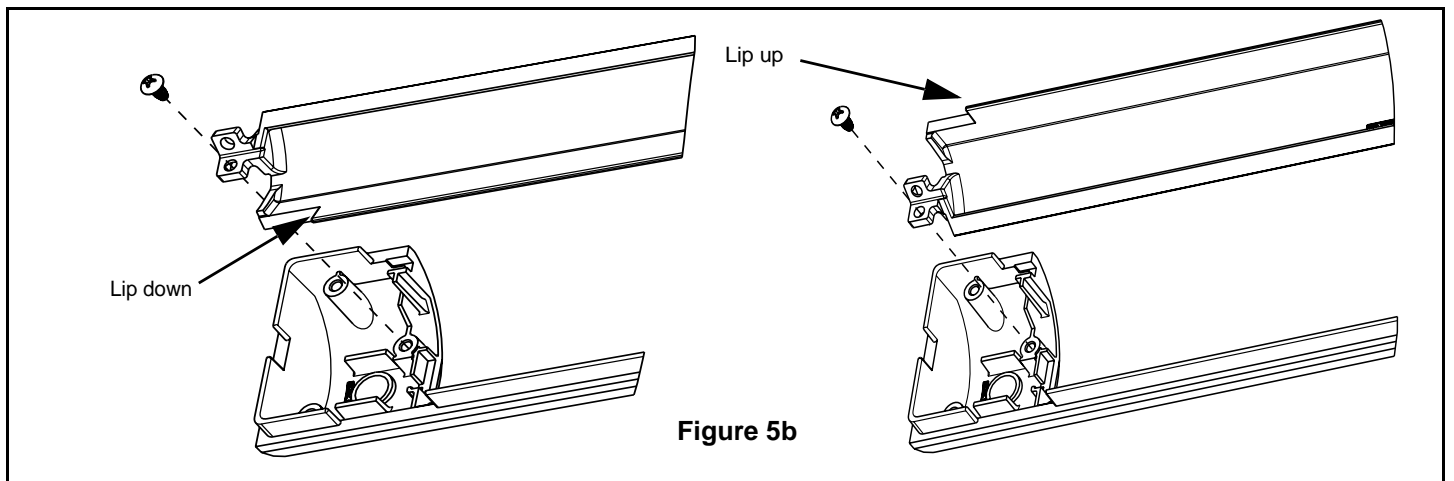


Figure 5b

- c. Re-install the electronic module, this time oriented as in (Figure 5c). For units with transformer: reconnect the transformer harness to the electronic module.
3. Recessed installation (Figure 6). Attach the flat trim ring to the trim plate. Orient the trim ring and snap it with the two tabs behind the hooks of the side brackets.
4. **Electrical connection (Figures 7,8,9)**
 - a. Make the proper connections. Our system can accept input voltages of 120 VAC to 347 VAC. For regular models connect the purple (hot) and white (common) leads to the building utility (Figure 8). For models with diagnostic feature connect the white (common), black (120 VAC) or red (347 VAC) orange (277 VAC) leads to the building utility (Figure 9).
 - b. For remote power DC unites, connect the red wire to the positive of the DC supply and the blue to the negative (6 to 48 volts).
5. Take the trimplate assembly and connect the harnesses together with the back box mating connector .
6. Compress the retention springs and insert the trim plate assembly in the back box. Align to be flush with the back box or with the wall or ceiling, as installed.

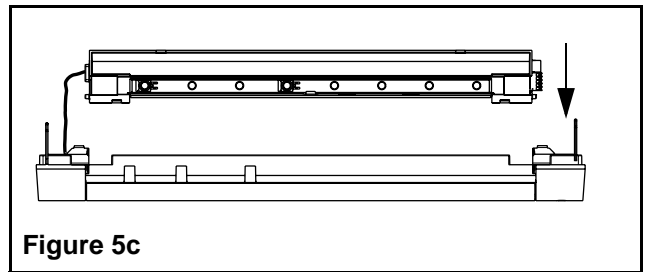


Figure 5c

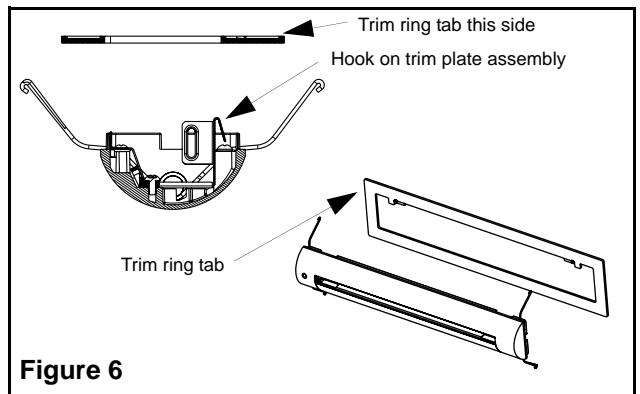


Figure 6

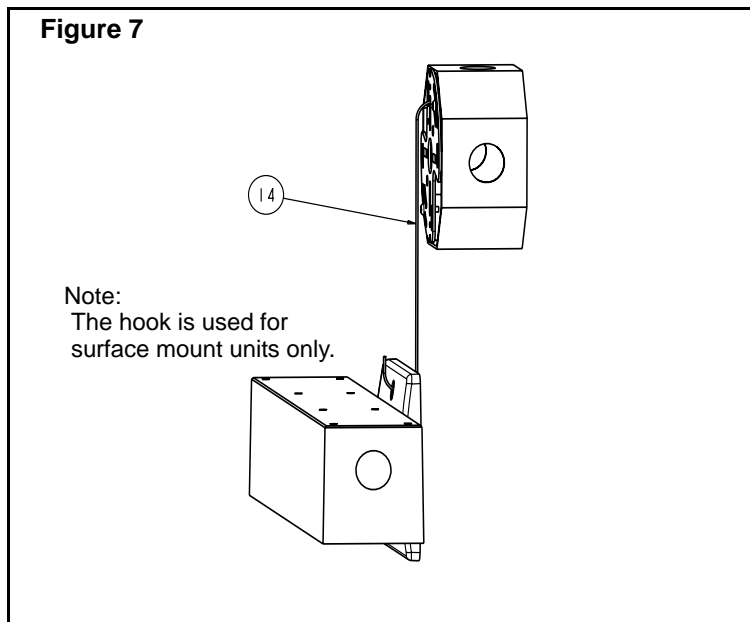


Figure 7

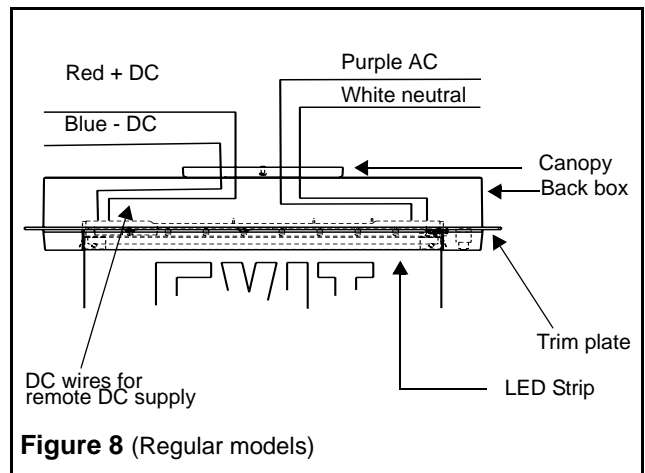


Figure 8 (Regular models)

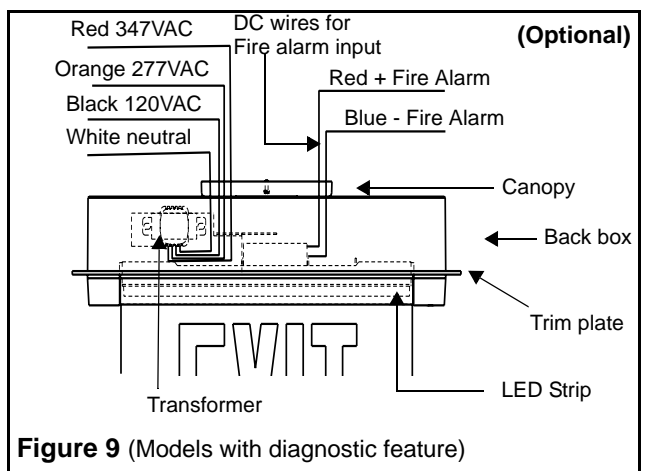


Figure 9 (Models with diagnostic feature)

Exit panel installation (Figure 10)

1. Remove the exit panel from its carton, do not remove the protective sleeve until the installation is complete.
2. Partially remove the protective sleeve at the top of the exit panel. Push the exit panel, with the clips, into the slot in the trim plate assembly until it snaps. Gently try to pull out the panel to ensure that it is engaged in the trim plate assembly. Remove the protective sleeve.
3. Energize AC circuit. Legend and green pilot indicator (self-powered models), will illuminate.

Important: The Exit panel can only be removed by lowering the trim plate and pushing on the end clip located on the opposite side of the test switch with a screwdriver.

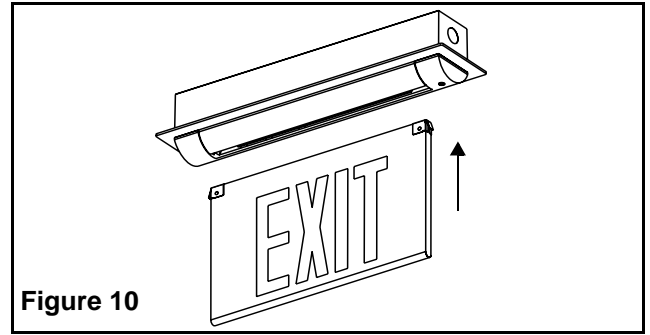


Figure 10

Self Powered models

Manual testing (Figure 11)

Press test switch. Legend will flicker then will remain lit. On release, external green LED will illuminate, and automatic charger will restore battery to full charge.

Automatic testing and diagnostics (optional)

The models with the automatic testing and diagnostic option include a micro-controller which tests the unit on a monthly basis and identifies as well displays failures of the electrical components: battery, charger circuit, LED lamps.

Self-test

The self-test is performed every 30 days for 30 seconds, every 60 days for 30 minutes, and annually for 90 minutes.

Diagnostic function (Figure 11)

The diagnostic function uses the pilot light LED indicator. Service is required if the green LED changes color to red indicating that an alarm condition is detected.

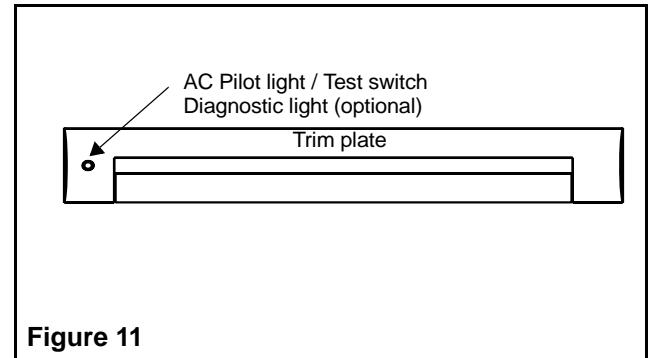


Figure 11

Pilot light	Status	Diagnostic
Green	Steady	Normal (AC On)
Green	Blinking	Auto Test
Red	Steady on	Battery Disconnect
Red	One Blink	Battery Failure
Red	Two Blinks	Charger Failure
Red	Four Blinks	LED Lamp Failure

Maintenance

None required. Models equipped with batteries: if AC supply is to be disconnected for 2 months or more, the battery must be disconnected (Self-Powered Models only).

Note — For safety reasons Nickel Cadmium batteries are shipped discharged. The units may require 10 minutes of connection to AC supply before start-up test procedure, and two to seven days to reach full charge.