

TYPE: _____
CATALOG #: _____
NOTES: _____



Prestige™ X40 Series

Edge-Lit Recessed Ceiling-Mount Only Exit Sign

Design upgrade: introducing new features

1. Easier installation: component-free back-box can be installed in advance, like a regular junction box
2. 20 – 30% less power consumption: max. 1.4W (AC-only) and max. 2.3W (Self-Powered)
3. Bi-color LED pilot light allows visual diagnostic without the need to open the unit (self-test and diagnostic option)
4. Listed by the Underwriting Laboratories UL Listed
5. Also available with white LEDs for custom-design legends: pictograms, special wording, etc. (Ask your sales representative)

Features

- Designed to achieve superior visual clarity and performance with an LED light source. High brightness red or green LEDs transmit light directly into both ends of a unique U-shaped panel. LED sensitive inks are formulated to provide a rich color in red or green
- Clear acrylic panel provides optimum light transmission. Illumination is 100% in both AC and emergency mode
- Clear acrylic panel is silkscreened and computer engraved. Computer engraving is used to crisply define each letter and chevron. LED sensitive inks are formulated to provide a rich color in red or green. Choice of legend background: clear (for single face), white or mirror (for single or double face signs)
- Rugged cast brushed aluminum trim plate (optional colors available).
- Low energy consumption LED lamps consume less than 2.3W per sign, single or double face, AC-only or Self-Powered
- Available with sealed maintenance-free Nickel-Cadmium batteries.
- Fully automatic charger circuitry offers two-wire universal 120 to 277VAC input, temperature compensated charger, solid state transfer, low voltage battery disconnect, and brownout protection
- Self-test and silent diagnostics are optional on all Self-Powered models. Diagnostics are programmed to ensure product readiness and reliability by continuously monitoring every critical function of the unit. The unit is self-tested for one minute every 30 days, 30 minutes every 60 days and 90 minutes annually. When a fault is detected the pilot light will change color from green to red and flash following a particular code, identifying the cause: battery, charger circuitry, or LED lamps
- Designed to fit integrally with a 20 gauge steel back box. Each unit includes a bar hanger kit
- Prestige LED Series signs are unaffected by the vibrations, ambient temperature swings and typical power surges detrimental to standard exit light sources
- UL924 Listed
- 5-year limited warranty
Detailed warranty terms located at: www.emergi-lite.com/usa/files/EL_Warranty.pdf

Suggested Specification

Supply and install the **Emergi-Lite® Prestige™ X40 series** of recessed edge-lit exit signs. The unit shall come standard with a flat trim plate of die-cast aluminum with _____ finish, a back box of 20-gauge galvanized steel, and a hardware kit including two 27-inch adjustable bar hangers for back box installation between ceiling joists. The back box shall be provided with conduit knockouts at the top, back and end. The unit shall have the trim plate snap and lock in the housing with torsion spring retainers, thereby eliminating any visible screws or hardware. The legend shall be printed on a clear acrylic panel. The panel shall have a U-shape and the legend letters shall have the contour engraved by laser.

The light source shall be long-life light-emitting diodes (LED) and shall provide even illumination in normal and emergency operation. Red LED technology shall be ALINGAP. The unit shall operate with a two-wire universal AC input voltage of 120 to 277Vac at less than 2.3 Watts. The edge-lit sign in a self-powered configuration shall use a sealed Nickel-Cadmium battery and shall stay illuminated during emergency operation for at least 90 minutes upon AC failure. When specified, the self-powered unit shall include self-test and silent diagnostic functions, managed by a micro-controller: it shall execute automatic tests for one minute every 30 days, 30 minutes every 60 days and 90 minutes annually. A diagnostic circuit shall continuously monitor the performance of the battery, charger module and LED lamps. When a fault is detected the pilot light shall change color from green to red and flash with a specific code. The red light is steady-on in case of battery disconnect; it will flash with one blink for battery failure, two blinks for charger failure and four blinks for LED lamp failure. A label with the diagnostic legend shall be visible next to the pilot light. The edge-lit sign shall be tested by the Underwriting Laboratories and listed to the UL924 standard.

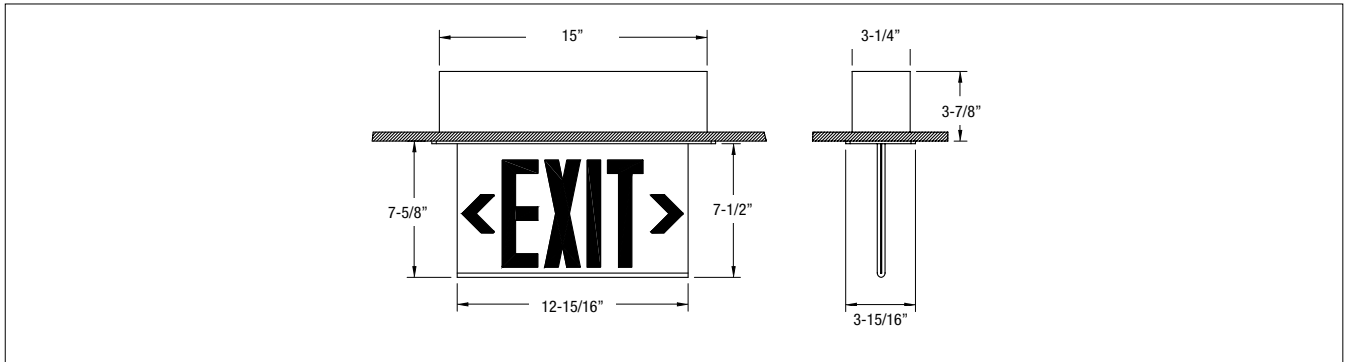
The unit shall be **Emergi-Lite®** catalog number _____.

Power Consumption Chart

Model	AC Specs		DC Specs	
AC-only	120 to 277VAC, 60Hz	Less than 1.4W	–	–
AC/DC-remote	120 to 277VAC, 60Hz	Less than 1.4W	6 to 24VDC	Less than 1.4W
Self-Powered	120 to 277VAC, 60Hz	Less than 2.3W	Ni-Cd battery	Min. 90 minutes
Self-Powered diagnostic	120 to 277VAC, 60Hz	Less than 2.3W	Ni-Cd battery	Min. 90 minutes

Dimensions

Dimensions are approximate and subject to change.

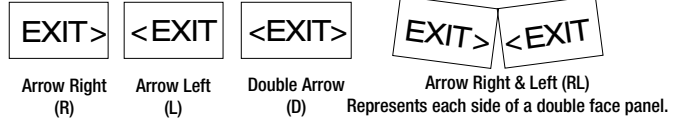


Accessories (order as a separate item)

DESCRIPTION	
Special wording	Contact your sales representative
DESCRIPTION	
Two 27-inch adjustable bar hangers*	TBH

* Bar hangers supplied with unit, order as replacement only

Arrow (Chevron) Designation



*Wording and chevrons not to scale. For illustration purposes only.

Backbox (order as a separate item)

DESCRIPTION	SUFFIX
Backbox kit flat trim	BBKTR-E

How to Order

HOUSING	SERIES	FACES	DESIGNATION	LEGEND COLOR	BACKGROUND COLOR	ARROWS	OPTIONS	LEGEND SIZE
Blank = Brushed aluminum W = White B = Black PB = Polished brass CH = Polished chrome BR = Bronze	LX = AC LSNX = Self-Powered	40 = Less panel 42 = Single face 43 = Double face	N = New design	R = Red G = Green	C = Clear (single face only) W = White M = Mirror	Blank = No arrow L = Arrow left R = Arrow right RL = Right & left (double face) D = Double arrow UA = Universal field installed arrows	Blank = No option -AD = Advanced Diagnostics (non-audible) -FA = Fire Alarm -DC = AC/DC remote 6-24 VDC -2CKT = Two circuit, AC only -FZ = Flasher & buzzer (Self-Powered only) -NEX = Nexus® Wired -NEXRF = Nexus® Wireless	Blank = 6" EXIT legend -8 = 8" EXIT legend (red only) -LP = Panel shipped separately -X = Back box shipped separately

Example: **WLSNX42NRWR-AD**