



Prestige Economizer™ Series

Recessed ceiling-mount Edge-lit Exit Sign



The **Prestige Economizer™** – Recessed Series combines a modular design with state of the art technology and ease of installation including field installed directional arrows.

Standard Features

- Rugged, 20-gauge steel back box
- Equipped with bar hanger kit for easy installation
- Formed steel flat trim plate
- Choice of finishes: textured aluminum or off-white
- Acrylic panel with curved contour provides superior clarity and illumination
- Legend with a choice of red or green letters
- Choice of legend background: clear, white (red legend only) or mirror
- Stick-on translucent directional chevrons for field installation
- Simple, two-wire universal AC input (120V to 277Vac 50/60Hz) prevents installation errors
- Sealed Nickel-Cadmium batteries provide 90 minutes of emergency lighting
- Simple, two-wire universal DC input: 6V to 24Vdc
- Long-life LED light assures low maintenance costs and superior illumination
- Energy efficient power consumption: less than 2.5 Watts for single or double face legends
- UL-924 listed

Suggested Specification

Supply and install the **Emergi-Lite®** Economizer™ Series recessed edge-lit exit sign. The unit shall operate with universal two-wire AC input voltage from 120Vac to 277Vac at less than 2.5 Watts for single and double face legends. The housing assembly shall be of rugged 20-gauge steel and shall include a bar hanger kit for easy installation. The trim plate shall be low-profile and manufactured of formed steel with a textured finish and _____ color. The light source shall be eight (8) long-life LEDs installed on a PCB strip. Red LED technology shall be ALINGAP. The whole electrical circuit shall be contained in a plastic housing fixed on the trim plate. The acrylic panel shall have a curved contour. The legend shall have six-inch high with 3/4-inch stroke red letters on a clear background, unless otherwise specified. The unit shall be equipped with stick-on translucent directional chevrons, to be installed in the field as required by the Code.

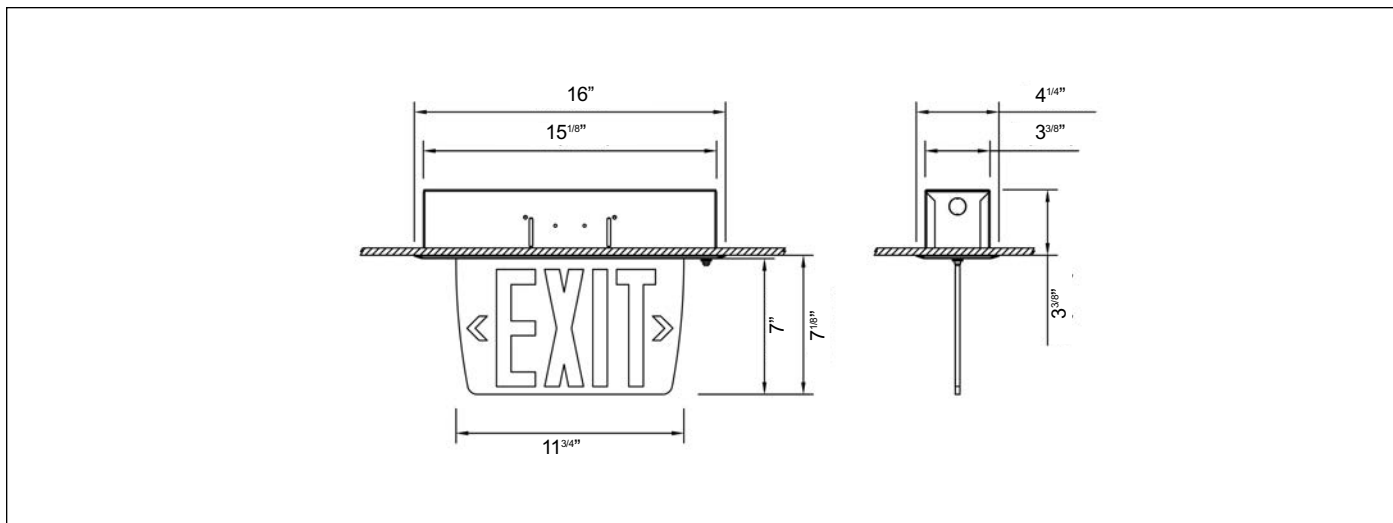
The exit sign in a self-powered configuration shall be equipped with sealed Nickel-Cadmium batteries and perform minimum 90 minutes of emergency illumination upon AC failure.

The equipment shall be UL-924 listed.

The equipment shall be **Emergi-Lite®** model: _____.

Outline and Dimensions

Dimensions are approximate and subject to change.



Power Consumption Chart

Model	AC Specs		DC Specs	
AC-only	120 to 277Vac	Less than 1.5 W	-	
AC/DC-remote	120 to 277Vac	Less than 1.5 W	6 to 24Vdc	Less than 1.5 W
Self-Powered	120 to 277Vac	Less than 2.5 W	Ni-Cd battery	Min. 90 minutes

Unit Warranty

Unit carries a 5-year full warranty.

How To Order

Housing color	Series	Faces	Trim	Unit type
TA= Textured Aluminum OW= Off White # = Other color available	PE= AC Only PES= AC/DC PEN= Self-Powered	1= Single Face 2= Double Face	F= Recessed Flat trim	RC= Red on Clear* RW= Red on White RM= Red on Mirror GC= Green on Clear* GM= Green on Mirror Green on white not available. *Single face only.

Example: TAPE1FRC