

Survive-All™ SVH Series

Class I, Division 2 housing 6V-18W & 12V up to 72W capacities



Housing

- Class I Division 2, Groups A, B, C and D
- Vandal-resistant UV stabilized polycarbonate lamp cover
- Front and back plates are of a heavy duty aluminum
- Stainless steel tamper-proof screws

Mounting:

- Surface wall mount only
- Includes mounting lugs on each side of the housing
- Universal J-box mounting
- 1/2 inch entry on both sides and top of housing

Lamp type

- Choice of MR16 LED lamp wattages

Electronics

- Pulse plus charger
- Low voltage disconnect
- Automatic brownout protection
- Battery lock-out
- Fused output circuit

- Magnetic test switch
- Standard Advanced Diagnostics (non-audible)
- Optional Nexus® monitoring system
- 120/277 60Hz

Battery type

- 6 or 12V lead-calcium battery

Approvals

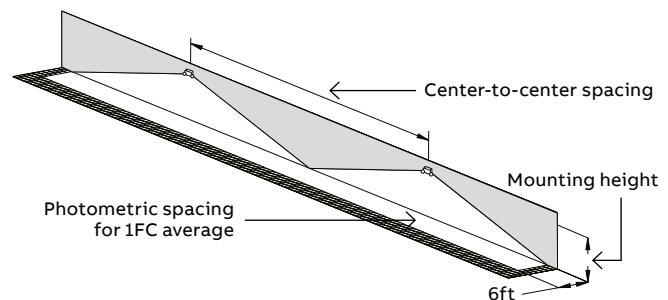
- CSA-US (to UL 924 standards)
- Evaluated to the UL 844 Standard for Class I Division 2, Groups A, B, C and D
- NEC, OSHA and NEMA compliant for above Classes and Groups
- Damp and wet location (50°F to 104°F)

Warranty

- Unit has a five-year limited warranty
- Detailed warranty terms located on page 202 or online at:
www.emergi-lite.com/usa/files/EL_Warranty.pdf

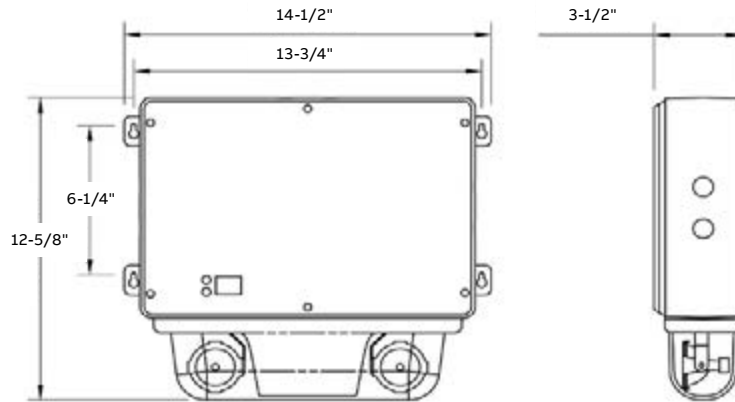
Photometric performance

Lamp	Spacing center-to-center (feet)	
	7' mounting height	15' mounting height
LA	39'	34'
LB	74'	57'
LG	49'	39'
LI	68'	54'
LJ	89'	80'



Dimensions

Dimensions are approximate and subject to change.



Temperature codes

Lamp rating ¹	Temperature code	Max. temperature	Replacement part #
6V-4W	T4A	120°C	580.0097
6V-5W	T4A	120°C	580.0122
12V-4W	T4A	120°C	580.0080
12V-5W	T4A	120°C	580.0104
12V-6W	T4A	120°C	580.0106

¹Use qualified replacement lamps to avoid risk of over-heating

Power consumption and unit rating

Model	AC specs	Battery capacity in watts					
		1-1/2 hrs	2 hrs	3 hrs	4 hrs	8 hrs	
SVH18	120/277VAC	0.17 / 0.09 Amp	18	12	9	-	-
12SVH36		0.30 / 0.15 Amp	36	27	18	14	-
12SVH60		0.30 / 0.15 Amp	60	45	30	24	12
12SVH72		0.30 / 0.15 Amp	72	54	36	28	14

How to order

Color	Voltage and power	# of heads	Lamps	Options
G= Gray	SVH18M= 6V-18W, lead-calcium 12SVH36M= 12V-36W, lead-calcium 12SVH60M= 12V-60W, lead-calcium 12SVH72M= 12V-72W, lead-calcium	-2= Two heads -0= No heads	LA= 6V-4W, MR16 LED LB= 6V-5W, MR16 LED LG= 12V-4W, MR16 LED LI= 12V-5W, MR16 LED LJ= 12V-6W, MR16 LED	Blank= Advanced Diagnostics (non-audible) ¹ -DA= Advanced Diagnostics (audible) ¹ -D3= Time delay (15 minutes) -NEX= NEXUS® wired (consult your sales representative) ¹ -NEXRF= NEXUS® wireless (consult your sales representative) ¹

Example: G12SVH72M-2MK-DA

¹Minimum lamp load required: 20% of unit capacity