

## EPC 2 Series

Emergency power control for generator and mini inverters. Supplies power to switched lighting fixtures.



### Mechanical specifications

- Mounts in 4-11/16" Junction box with single gang plaster ring
- UL94-5VA rating
- Shipping weight: 12oz
- Temperature: 32°F - 140°F (0°C - 60°C)
- Color: White
- Flush mounted single gang
- Body size: 3" x .7" x 1.2"

### Emergency Operation:

- The EPC-2-E & EPC-2-D-E will operate any lamp type in the designated fixture for the duration of the generator or mini inverter supply.

### Initial illumination:

- The EPC-2-E & EPC-2-D-E will operate the designated lamp at full light output

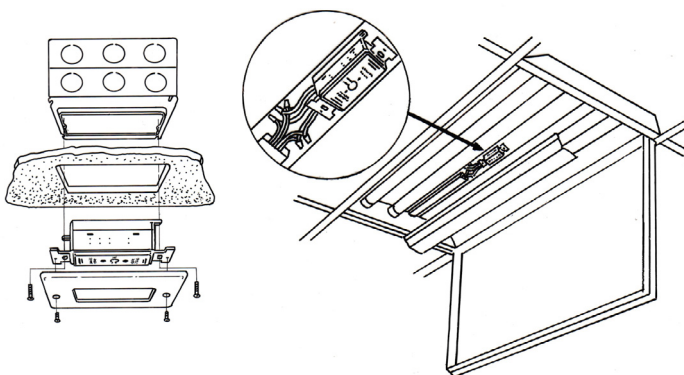
### Approval:

- UL924 Listed

### Wiring diagrams:

- Visit our website: <http://www.emergi-lite.com>

### Mounting



### Housing

- Thermoplastic UL94-5VA suitable for plenum installations
- Compatible with LED, fluorescent and incandescent lamp types including standard, energy-saving, and electronic AC drivers and ballasts<sup>1</sup>

### Mounting

- Wall and ceiling mount

### Options

- 0-10V Dimming standard on the EPC-2-D-E model
- Advanced Diagnostics standard on the EPC-2-E and EPC-2-D-E models

### Lamp types

- During utility power interruption, automatically connects generator or inverter circuit to emergency fixture and bypasses switching control to full light output for duration of inverter or generator supply

### Lumen output

- Allows switching control of emergency fixtures during normal operation
- Allows auxiliary generator power on a switched lighting fixture

### Power requirements

- Dual voltage 120/277V 60Hz

### Approvals

- Meets or exceeds all National Electrical Code and Life Safety Code Emergency Lighting Requirements

### Warranty (subject to proper installation and maintenance)

- Unit has a five-year warranty
- Detailed warranty terms located on page 178 or online at: [www.emergi-lite.com/usa/files/EL\\_Warranty.pdf](http://www.emergi-lite.com/usa/files/EL_Warranty.pdf)

<sup>1</sup>When using EPC-2-E & EPC-2-D-E to control more than 10 emergency ballasts with a high corrective power factor capacitor, consult factory for more information regarding inrush currents.



### How to order

#### Series

**EPC-2-E**= Emergency transfer switch

**EPC-2-D-E**= Emergency transfer switch with Advanced Diagnostics and 0-10 dimming

Example: EPC-2-E