



RS Series

6 & 12 Volt Decorator Recessed Wall, Ceiling/T-Bar Mounting

Listed to UL924 Standard

Sealed Maintenance-Free Batteries

- Nickel-Cadmium
- Long Life Lead
- Lead Calcium



General Information

The **RS Series** is architecturally designed for low profile, unobtrusive use in either ceilings or walls. Available in a variety of colors and finishes to complement any decor.

Each self-contained unit is furnished standard with a fully automatic charger and sealed relay, sealed maintenance-free battery, dual-voltage transformer, low voltage battery disconnect, test switch, LED pilot light supervision and highly efficient light source.

Standard Features

Reliability

The RS Series carries a 3-year full warranty. Each unit is fully computer tested.

Unit Data

Housing: off-white, baked enamel finish; 20 gauge steel; designed for low profile, fully recessed mounting in either ceilings or walls. Unit equipped with an adjustable bar hanger kit.

Light Source: Furnished with two (2) white EF-9 lamp heads.

PulsePlus Charger

PulsePlus circuitry offers 120/277 volt input 60 Hz., 0.3/0.15 Amps (other inputs available), fused output circuit(s), dual diagnostic indicator lights, temperature compensated charger, sealed relay, low voltage battery disconnect, brownout protection and lockout (automatic battery connect).

Optional Features

Description

Description	Add
Black	B
Description	Add Suffix
Ammeter or Voltmeter (Choose only one).....	-A* or -V*
Advanced Diagnostics (Lead-Calcium only)	-AD
Advanced Diagnostics, Non-Audible	-ADNA
Time Delay (Specify 5, 10 or 15 minutes).....	-D1, D2, D3**
EF-10 Lighting Heads	10
EF-18 Lighting Heads	18
EF-32 Lighting Heads	C
EF-150 Decorative Heads (white)	150
New York City (EF-18 12 Watt Lamps).....	-NYC

*Not available with diagnostics options.

**Standard 15 minutes with AD/ADNA option.

**Not required when using the AD/ADNA option.

Accessories (order as a separate item)

Wire Guard (Units with EF-9, EF-10 or EF-18, EF-150 Heads)...WG6

Wire Guard (Units with EF-32 Cylinder Heads).....WG7

Remote Test Switch (metal face plate).....RTS

Remote Test Switch (plastic face plate).....RTS/1

Note: Certain option combinations may effect the listing.

Please contact the factory for specifics.

Electrical

Power Requirements: 120/277 Vac, 60 Hz., 0.3/0.15 Amp (other inputs available). **Output:** 6 or 12 volt fused output circuit. **Transfer:** dust-tight relay automatically and instantly energizes lamp load upon failure of AC supply. **LVD:** low voltage battery disconnect circuit automatically disconnects the lamp load and circuitry when battery reaches 87 1/2% discharge to protect the battery from deep discharge and permanent damage. **Lockout:** labor saving electronic circuit automatically connects battery when the AC circuit is activated. **Brownout:** close tolerance electronic circuit activates emergency unit when utility power dips below 80-85% of nominal voltage.

Charger: The pulse plus charging circuit utilizes an integrated circuit chip which samples the battery in relation to its temperature, state of charge and input voltage fluctuations. The charger is current limited, temperature compensated, short-circuit proof and reverse polarity protected. Charger regulation $\pm 1\%$. The equipment is capable of full recharge in compliance with Underwriters 924 specification. **Transformer:** 120/277 volt. **Controls:** test switch and dual diagnostic LED indicator lights, Hi-charge and AC pilot.

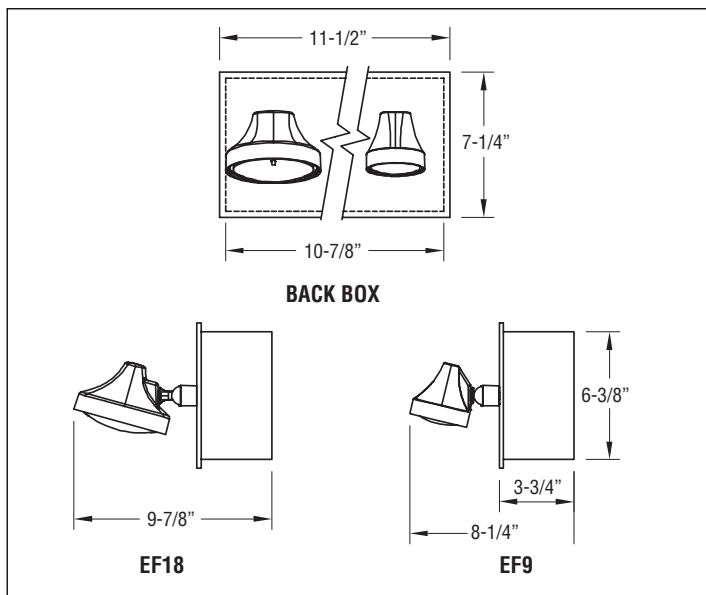
Diagnostic/Self Test Feature (Optional)

Advanced Diagnostics (audible and non audible versions)

Our Advanced Diagnostic circuitry is designed to continuously monitor every critical function of the unit, attached remote lighting heads and exit signs. Operational status is indicated by colored LED lamps. A high-pitch audible alarm and an LED status indicator alert maintenance personnel to a unit malfunction. This option saves the time spent on testing and trouble shooting by maintenance personnel. This new generation of Emergi-Lite diagnostics is perfect for any application. The self-testing software will perform automatic monthly testing in accordance with the requirements of NFPA 101, Life Safety Code and a full 90 minute test annually. Self-testing in accordance with NFPA 101, Life Safety Code. Unit tests itself every thirty days for one minute, thirty minutes on the sixth month and ninety minutes annually.

Outline and Dimensions

*Dimensions are approximate and subject to change.



Unit Rating Chart

UNIT EQUIPMENT - NO REMOTE CAPABILITY							
Sealed Maintenance-Free Battery Types	D.C. Voltage	Model Number		*Watts to 87 1/2% of rated battery voltage 1 1/2 hrs. 2 hrs. 3 hrs. 4 hrs.			
		EF-32 Cylinders	EF-9 Lamp Heads				
Nickel-Cadmium Δ	6	RSC18-2C	RSC18-2	18	12	10	-
Long Life Lead Δ	6	RSE18-2C	RSE18-2	18	11	8	-
Lead-Calcium Δ	6	RSM18-2C	RSM18-2	18	12	9	-
UNIT EQUIPMENT - WITH REMOTE CAPABILITY							
Nickel-Cadmium Δ	6	RSC25-2C	RSC25-2	25	18	12	9
	12	12RSC36-2C	12RSC36-2	36	21	15	12
	12	12RSC50-2C	12RSC50-2	50	36	25	18
Long Life Lead Δ	6	RSE27-2C	RSE27-2	27	19	14	10
	6	RSE36-2C	RSE36-2	36	24	17	13
	12	12RSE36-2C	12RSE36-2	36	24	17	13
Lead-Calcium Δ	6	RSM27-2C	RSM27-2	27	18	14	10
	6	RSM36-2C	RSM36-2	36	25	20	14
	12	12RSM36-2C	12RSM36-2	36	25	20	14

*National Electrical Code Specification New York City Approved
 Δ = Advanced diagnostics available

*Unit Warranty

Entire unit (excluding lamps and fuses) carries a 3-year Full Warranty.

*Battery Warranty

Unit batteries are warranted as follows:
Sealed Nickel-Cadmium: RSC – 12-year life expectancy, 5-year Full Warranty, plus 5-year pro rata warranty.
Sealed Long Life Lead: RSE – 10-year life expectancy, 5-year Full Warranty, plus 5-year pro rata warranty.
Sealed Lead Calcium: RSM – 8-year life expectancy, 3-year Full Warranty, plus 3-year pro rata warranty.
 *Subject to proper installation and maintenance.

Suggested Specification

Supply and install **EMERGI-LITE Series RSM** _____ **RSE** _____, or **RSC** _____ in 6 or 12 volt, with electrically compatible remote fixtures or exit signs as indicated on the plans.

The emergency lighting unit shall be an architecturally designed, self-contained fixture including sealed, maintenance-free battery:
TYPE RSM to be supplied with Lead Calcium battery.
TYPE RSE to be supplied with long life Pure Lead battery.
TYPE RSC to be supplied with long life Nickel-Cadmium battery.

The unit charger shall utilize an integrated circuit which samples the battery in relation to its temperature, state of charge and input voltage fluctuations. The charger shall be current limited, temperature compensated, short-circuit protected and reverse polarity protected. The unit shall be furnished with an electronic lockout circuit which will connect the battery when the AC circuit is activated, and an electronic brownout circuit which will activate the unit when utility power dips below 80-85% of nominal voltage. A low voltage battery protection circuit shall be provided and will disconnect the load and circuitry from the fused output circuit when battery reaches 87 1/2% of its nominal voltage. The unit shall be capable of full recharge in compliance with UL924 specifications. The unit shall be furnished with a sealed, dust-tight relay, a test switch and dual diagnostic LED indicator lights (Hi-charge and AC pilot).

The unit shall be designed for fully recessed installation in walls or ceilings, including grid type suspended ceilings. Unit shall be constructed of 20 gauge steel with a off-white baked enamel mounting plate. Unit will be furnished with two (2) lampheads as follows:

TYPE EF-9 decorator heads; 6V, 12V: 9 watt lamp per head.
TYPE EF-18 decorator heads; 6V, 12V: 9 watt lamp per head.

Fused output terminals shall be provided for ease of remote lamp connections.

All 6 and 12 volt RS Series shall be fully warranted for three years, subject to proper installation and maintenance.

Unit shall be EMERGI-LITE Catalog No. _____

How To Order (example)

For standard units without options only order Series, Battery, Watts, Heads *Options are added to units by listing suffix at end of model #*

RS	M	18	-	2	*ZD	-	DI
Series	Battery Type	Watts	Heads	Lamp Option	Option		
	Lead-Calcium	for 90 min.	on unit	6V 9W Incandescent	Time Delay		

Includes standard lamp. *See lamp data sheet for other lamp wattages.