

TYPE: _____
 CATALOG #: _____
 NOTES: _____



Chicago CCB-2LED Series

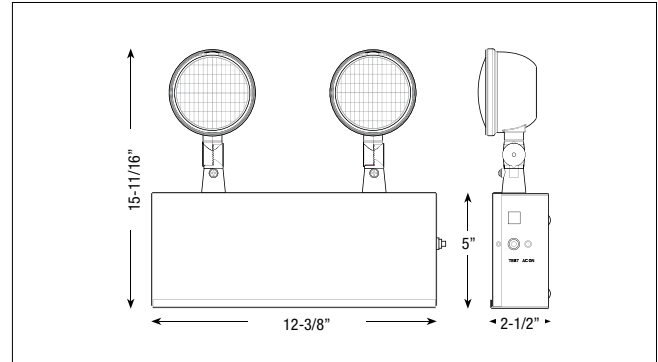
Steel LED Battery Unit

Features

- Each unit comes with two adjustable 6V 5W LED heads
 - Each unit provides 280 lumens
 - Constructed of 20-gauge steel with an off-white finish
 - Knockouts on the back of unit for wall mount
 - Side and top knockouts for conduit
 - 6V Sealed Lead-Calcium, maintenance-free, rechargeable battery
 - Optional 10W remote capacity available on the CCB-2LEDRC model
 - Low voltage disconnect
 - Dual voltage 120/277, 60Hz
 - LED indicator light and push-to-test switch
 - Automatic solid-state charger recharges battery in 24hours
 - 120 minute run time in Emergency mode
 - UL listed for Damp Location 68°F to 122°F (20°C to 50°C)
 - Meets UL 924, NFPA 101 Life Safety Code, NEC, OSHA, local and state codes
 - Meets City of Chicago requirement
 - 3 Year Full warranty
- Detailed warranty terms located at: www.emergi-lite.com/usa/files/EL_Warranty.pdf

Dimensions

Dimensions are approximate and subject to change.



Power Consumption Chart

Model	AC Specs		DC Specs	
CCB-2LED	120VAC, 60HZ, 0.08A	8.4W	Lead-Calcium	Minimum 120 minutes
CCB-2LED	277VAC, 60HZ, 0.04A	9.4W		
CCB-2LED-RC	120VAC, 60HZ, 0.09A	8.7W		
CCB-2LED-RC	277VAC, 60HZ, 0.05A	10W		

How to Order

SERIES	LAMP	OPTIONS
CCB	-2LED= 2 Steel Round LED	Blank= No Option RC= Remote Capacity* * Compatible only with EF12D-LED remote

Example: CCB-2LED