



T-Bar Units

TS Series 6,12 and 24 volt

Listed to UL924 Standard

Sealed Maintenance-Free Batteries

- Nickel-Cadmium
- Long Life Lead
- Lead Calcium



General Information

The **TS Series** is architecturally designed for unobtrusive use in T-Bar ceilings. The off-white, fully recessed trim line styling harmonizes with most ceiling designs. Each unit is self-contained and furnished standard with a fully automatic charger and sealed relay, sealed maintenance-free battery, dual-voltage transformer, low voltage battery disconnect, lock-out, brownout, test switch, LED pilot light supervision and highly efficient light source.

Standard Features

Reliability:

The TS Series has a 3 year full warranty. Each unit is fully computer tested

Unit Data:

Housing: off-white, baked enamel, 20 gauge steel designed for installation in T-Bar grid ceilings. The back box has a removable cover for ease of installation and full access to the battery and charger. Provisions for mounting up to three heads on cabinet. Light Source: furnished standard with two off-white EF18 heads with one 9 watt wedge based lamp per head.

PulsePlus Charger:

PulsePlus Circuitry offers 120/277 Vac input standard, fused output circuits, dual diagnostic indicator lights, temperature compensated charger, sealed relay, low voltage battery disconnect, brownout protection and battery lockout.

Optional Features

Description	Add Suffix
Black.....	B
Description	Add Suffix
Ammeter or Voltmeter (Choose only one).....	-A* or -V*
Advanced Diagnostics (Lead-Calcium only)	-AD
Advanced Diagnostics, non-audible	-ADNA
Time Delay (Specify 5, 10 or 15 minutes)	-D1, D2, D3**
New York City (12 Watt Lamps)	-NYC
EF-150 Decorative Heads (white)	150
EF-9 Lighting Heads (two 9-watt heads).....	29
EF-18 Lighting Heads.....	18

*Not available with diagnostics options.

**Standard 15 minutes with AD/ADNA option.

**Not required when using the AD/ADNA option.

Accessories (order as a separate item)

Remote Test Switch (metal face plate).....	RTS
Remote Text Switch (plastic face plate)	RTS/1

Note: Certain option combinations may effect the listing.

Please contact the factory for specifics.

Electrical

Power Requirements: 120/277 Vac, 60 Hz., 0.3/0.15 Amp (other inputs available). **Transfer:** dust-tight sealed relay automatically and instantly energizes lamp load upon failure of AC supply. **LVD:** low voltage battery disconnect circuit automatically shuts down lamp load and circuitry when battery reaches 87 1/2% of its nominal voltage, protecting battery from deep discharge **Lockout:** labor saving electronic circuit automatically connects battery when AC circuit is activated.

Brownout: close tolerance electronic circuit activates emergency unit when utility power dips below 80-85% of nominal voltage.

Charger: the pulse-plus charging circuit utilizes an integrated circuit which samples the battery in relation to its temperature, state of charge and input voltage fluctuations. The charger is current limited, temperature compensated, short-circuit protected and reverse polarity protected. The equipment is capable of full recharge in compliance with UL924 specifications.

Transformer: 120/277 Vac. **Controls:** test switch, LED indicator lights.

Diagnostic/Self Test Feature (Optional)

Advanced Diagnostics (audible and non-audible versions)

Our Advanced Diagnostics circuitry was designed to continuously monitor every critical function of the unit, attached remote lighting heads and exit signs. Operational status is indicated by colored LED lamps. A high-pitch audible alarm (if specified) and an LED status indicator alert maintenance personnel of a unit malfunction. This option saves the time spent on testing and trouble shooting by maintenance personnel. This new generation of Emergi-Lite diagnostics is perfect for any application.

Self-testing in accordance with NFPA 101, Life Safety Code. Unit tests itself every thirty days for one minute, thirty minutes on the sixth month and ninety minutes annually.

How To Order (example)

For standard units without options

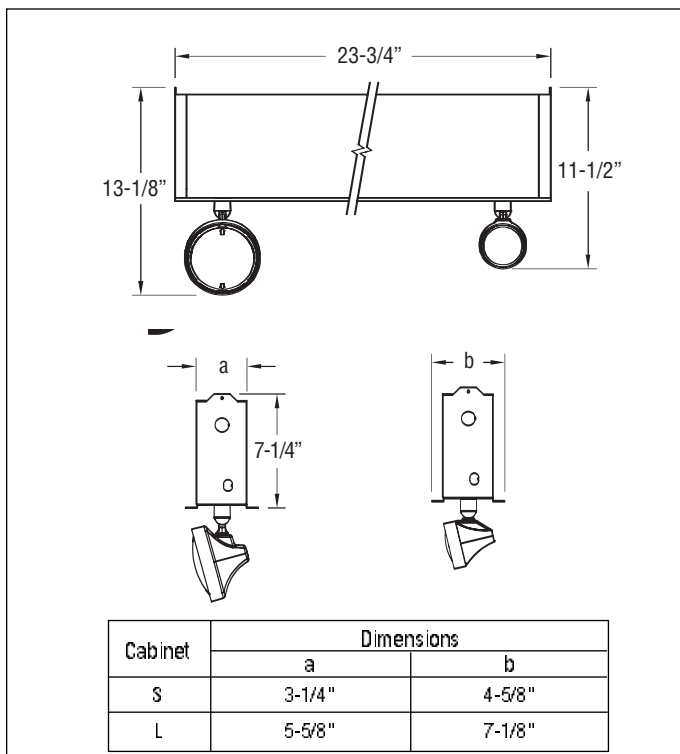
Options are added to units by listing suffix at end of model #

TS	C	18	-2	UA	-D1
Series	Battery Type	Watts	No. of Heads	Lamp Option	Option
	Nickel-Cadmium	for 90 min.	on unit	*6V 8W	Time Delay
				Sealed Beam	

*See lamp data sheet for other wattages available

Outline and Dimensions

*Dimensions are approximate and subject to change.



Unit Rating Chart

Furnished standard with two 9 watt High Intensity Incandescent lamps.

UNIT EQUIPMENT - NO REMOTE CAPABILITY							
Sealed Maintenance-Free Battery Types	D.C. Voltage	Model Number	*Watts to 87 1/2% of rated battery voltage				Cabinet
			1 1/2 hrs.	2 hrs.	3 hrs.	4 hrs.	
Nickel-Cadmium Δ	6	TSC18-2**	18	12	9	6	S
Long Life Lead Δ	6	TSE18-2	18	11	8	6	S
Lead Calcium Δ	6	TSM18-2	18	12	10	7	S
UNIT EQUIPMENT - WITH REMOTE CAPABILITY							
Nickel-Cadmium Δ	6	TSC25-2**	25	18	12	9	S
	12	12TSC36-2**	36	21	15	12	S
	12	12TSC50-2**	50	36	25	18	S
	24	24TSC100-2	100	73	50	37	S
Long Life Lead Δ	6	TSE27-2	27	19	14	10	S
	6	TSE36-2	36	24	17	13	S
	6	TSE54-2	54	36	26	20	S
	6	TSE110-2	110	74	57	43	L
	12	12TSE36-2	36	24	17	13	S
	12	12TSE54-2	54	37	28	21	S
	12	12TSE72-2	72	62	43	33	S
	12	12TSE110-2	110	74	57	43	L
	24	24TSE72-2	72	48	34	26	S
	24	24TSE110-2	110	74	57	43	L
Lead Calcium Δ	6	TSM27-2	27	18	14	10	S
	6	TSM36-2	36	25	20	14	S
	6	TSM54-2	54	37	28	21	S
	6	TSM81-2	81	54	42	30	L
	6	TSM110-2	110	72	56	40	L
	12	12TSM36-2	36	25	20	14	S
	12	12TSM54-2	54	37	28	21	S
	12	12TSM110-2	110	72	56	40	L
	24	24TSM110-2	110	72	56	40	L

*National Electrical Code Specification

New York City Approved with -NYC suffix

Suggested Specification

Supply and install **EMERGI-LITE Series TSC** _____, **TSE** _____ or **TSM** _____ in 6, 12 or 24 volts, with electrically compatible remote fixtures or exit signs as indicated on the plans.

The emergency lighting unit shall be an architecturally designed, self-contained fixture including sealed, maintenance-free battery.

TYPE TSC to be supplied with a Nickel-Cadmium battery.

TYPE TSE to be supplied with a Long Life Pure Lead battery.

TYPE TSM to be supplied with Lead Calcium battery.

The unit shall supply the rated load for a minimum of 90 minutes to 87 1/2% of rated battery voltage. The unit shall be rated at 120/277 Vac, 60 Hz.

The unit charger shall utilize an integrated circuit which samples the battery voltage in relation to its temperature, state of charge and input voltage fluctuations. The charger shall be current limited, temperature compensated, short-circuit protected and reverse polarity protected. The unit shall be furnished with an electronic lockout circuit which will connect the battery when the AC circuit is activated, and an electronic brown out circuit which will activate the unit when utility power dips below 80-85% of normal voltage. A low voltage battery protection circuit shall be provided and will disconnect the load and circuitry from the battery when it reaches 87 1/2% of its nominal voltage. The unit shall be capable of full recharge in compliance with UL 924 specifications. The unit shall be furnished with a sealed dust-tight relay, a test switch and dual diagnostic LED indicator lights, (hi-charge and AC pilot).

The unit shall be designed to recess in conventional T-Bar suspended ceiling construction. Unit shall be constructed of 20 gauge steel with a off-white baked enamel finish. Unit shall be furnished with two off-white EF18 lighting heads constructed of impact resistant, flame retardant polymeric material complete with 9 watt lamps. Fused output terminals shall be provided for ease of remote lamp connections.

Every **TS Series** unit will be tested for charge and discharge performance. Every **TS Series** unit shall be fully warranted for three years, subject to proper installation and maintenance.

Unit shall be **EMERGI-LITE catalog number** _____.

*Unit Warranty

Entire unit (excluding lamps and fuses) carries a 3-year Full Warranty.

*Battery Warranty

Unit batteries are warranted as follows:

Sealed Nickel-Cadmium: TSC— 12 year life expectancy, 5-year Full Warranty, plus 5-year prorata warranty

Sealed Long Life Lead: TSE— 10 year life expectancy, 5-year Full Warranty, plus 5-year prorata warranty

Sealed Lead Calcium: TSM— 8 year life expectancy, 3-year Full Warranty, plus 3-year prorata warranty

*Subject to proper installation and maintenance.