

HPRL Series

NEMA-4X, high-performance industrial remote unit



Housing

- Lightweight polycarbonate gray housing with captive screws
- NEMA-4X protection grade
- All external fasteners and hardware are constructed of stainless steel
- Die-cast aluminum LED heads

Mounting

- Simple and easy to install on walls, poles, columns, struts also on vertical
- Pole or column installation bracket sold separately (order catalog number: PMK1-E)
- 1/2 NPT NPT conduit entry on top or side

Performance

- 6W, 10W and 15W high efficacy LED emergency heads outperform traditional 50W MR16-IR halogen
- Innovative head design: four-LED and dual-driver provide illumination even in case of unexpected component failure

Approvals

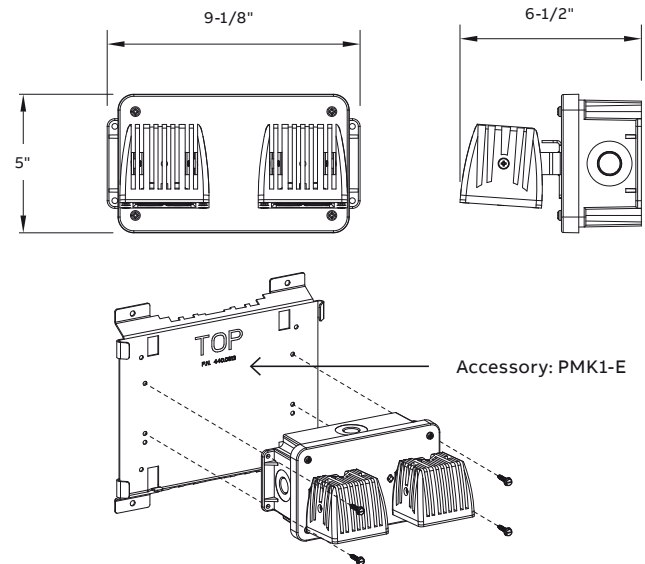
- UL 924 Listed
- Can be installed in wide temperature range:
- -40°F to 131°F (-40°C to 55°C)

Warranty

- Unit has a five-year limited warranty
- Detailed warranty terms located on page 178 or online at: www.emergi-lite.com/usa/files/EL_Warranty.pdf

Dimensions

Dimensions are approximate and subject to change.



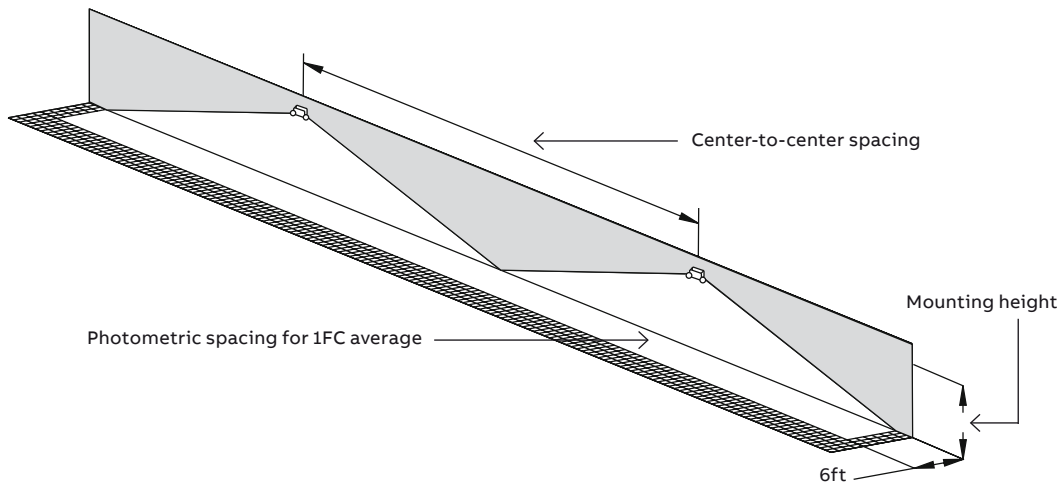
Photometric performance

Whether installed indoors or outdoors, the **HP Series** of LED emergency lights deliver a stable and consistent illumination on the path of egress for a wide range of mounting heights. Depending on the application, one may select and specify among three levels of lumen output. See cross reference to traditional incandescent emergency lights below.

| LED head | Power | Total lumens | Out-perform spacing of incandescent lamps |
|----------|-------|--------------|---|
| L6 | 6W | 565 | 35W PAR36, MR16 halogen |
| L10 | 10W | 1000 | 50W PAR36, MR16 halogen |
| L15 | 15W | 1300 | 50W MR16-IR halogen |

Industrial environment: wall mounted equipment,
 reflectances: 10/10/10; 6-ft. wide illumination path.
 200 ft. X 200 ft. X 30 ft. space.
 Illumination as per NFPA101;
 Average: 1fc; Min: 0.1fc; Max/min < 40:1

| Mounting height | Spacing center-to-center (feet) | | |
|-----------------|---------------------------------|------------------------|------------------------|
| | Lamp L6 / 6W, 565LM | Lamp L10 / 10W, 1000LM | Lamp L15 / 15W, 1300LM |
| 10 ft. | 80 | 110 | 140 |
| 15 ft. | 70 | 105 | 135 |
| 20 ft. | 60 | 100 | 130 |
| 25 ft. | 50 | 95 | 120 |



How to order

| Series | Number of heads | LED head |
|---|--|--|
| HPRL= High-performance remote lightweight | Blank = Single head D = Double head | L6 = 12-24V – 6W (565 lumens) L10 = 12-24V – 10W (1000 lumens) L15 = 12-24V – 15W (1300 lumens) |

Example: HPRLDL10