

HPHRL Series

Hazardous locations high-performance remote fixture



Housing

- Light weight polycarbonate gray housing and die-Cast fully adjustable heads
- Class I, Div. 2, Groups A, B, C & D, Class II Div. 2, Groups F & G, Class III
- NEMA-4X protection grade
- All external fasteners and hardware are constructed of stainless steel

Mounting

- Simple and easy to install on walls, poles, columns, struts also on vertical
- Pole or column installation bracket sold separately (order catalog number: PMK1-E)
- 1/2" NPT conduit entry on top or side

Performance

- 6W, 10W and 15W high efficacy LED emergency heads outperform traditional 50W MR16-IR halogen

- Innovative head design: four-LED and dual-driver provide illumination even in case of unexpected component failure

Approvals

- UL 924 listed
- Can be installed in wide temperature range: -40°F to 131°F (-40°C to 55°C)
- Listed to the UL 844 Standard for Class I, Division 2, Groups A, B, C & D, Class II, Division 2, Groups F & G and Class III
- Temperature code: T3C

Warranty

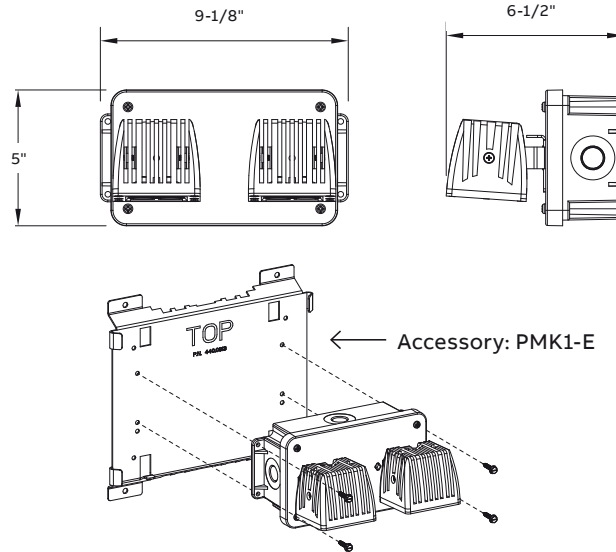
- Unit has a five-year limited warranty
Detailed warranty terms located on page 178 or online at: www.emergi-lite.com/usa/files/EL_Warranty.pdf

Classification for hazardous locations

Lamp suffix	Voltage	Power	Lumen flux	Ambient	Classification	Temp. code
L15	12-24VDC	15W	1,300 Lm	131°F / 55°C	Class I Division 2 Groups A, B, C and D	T3C
					Class II Division 2 Groups F and G; Class III	T5

Dimensions

Dimensions are approximate and subject to change.

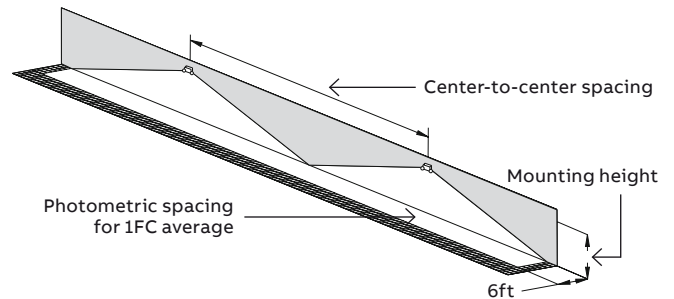


Photometric performance

Whether installed indoors or outdoors, the **HP Series** of LED emergency lights deliver a stable and consistent illumination on the path of egress for a wide range of mounting heights. Depending on the application, one may select and specify among three levels of lumen output. See cross reference to traditional incandescent emergency lights in table to the right.

LED head	Power	Total lumens	Out-perform spacing of incandescent lamps
L15	15W	1300	50W MR16-IR halogen

Mounting height	Spacing center-to-center (feet)	
	Lamp L15 / 15W, 1300LM	
10 ft.	140	
15 ft.	135	
20 ft.	130	
25 ft.	120	



Industrial environment: wall mounted equipment, reflectances: 10/10/10; 6-ft. wide illumination path. 200 ft. X 200 ft. X 30 ft. space. Illumination as per NFPA101; Average: 1fc; Min: 0.1fc; Max/min < 40:1

How to order

Series	Number of heads	LED head
HPHRL= High-performance hazardous location remote	Blank= Single head D= Double head	L15 = 12-24V – 15W (1300 Lumens)

Example: HPHRLDL15