

## Radiance Series

Low profile LED emergency lighting



### Housing

- Indoor/outdoor suitable for wet location
- Die-cast aluminum housing
- UV-resistant (3" x 1.5") polycarbonate lens
- Photo cell standard

### Mounting

- Wall mount
- 1/2" rigid conduit top entry
- Universal J-box mounting

### Lamp type

- 1600 lumens in AC mode 600 Lumens in emergency mode
- Color temperature: 5000K
- Dual-mode operation: normal and emergency LED lighting with separate AC inputs

### Electronics

- Pulse plus charger
- Low voltage disconnect
- Automatic brownout protection
- Battery lock-out
- Fused output circuit
- 120/277 60Hz
- AC unit rated for -13°F to 122°F (-25°C to 50°C)
- Dual mode unit rated for 5°F to 122°F (-15°C to 50°C)

### Photometry performance

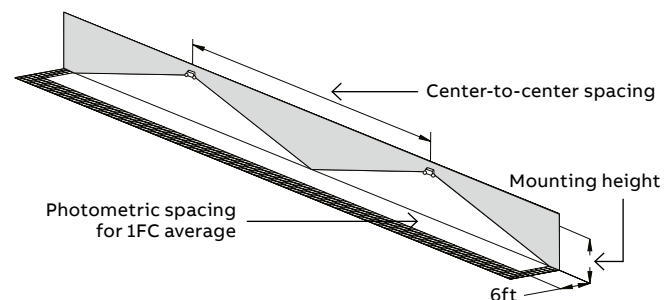
Spacing center-to-center (feet)	
Mounting height	Distance
7.5'	50'
10'	63'

### Approvals

- UL 924 Listed
- NEMA-3R rated for indoor/outdoors cold-weather wet and damp locations
- Meets all NFPA 70, NFPA 101 life safety codes

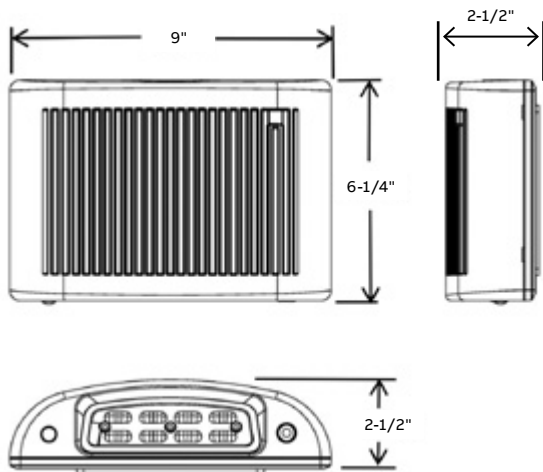
### Warranty

- Unit has a three-year warranty  
Detailed warranty terms located on page 178 of the catalog or online at:  
[www.emergi-lite.com/usa/files/EL\\_Warranty.pdf](http://www.emergi-lite.com/usa/files/EL_Warranty.pdf)



**Dimensions**

Dimensions are approximate and subject to change.



**Power consumption and unit rating**

Model	Battery type	DC specs	AC Specs
		Voltage	Units dual voltage
AC	-	-	120/277
ACSD	Nickel-cadmium	7.2V	

**How to order**

Color	Series	Model	Options
BZ= Dark bronze	RAD= Radiance	AC= AC only ACSD= Dual-mode	-CW= Cold weather <sup>1</sup>

Example: BZRADACSD-CW

<sup>1</sup> Available on the ACSD version only