

Radiance Series

Low profile LED emergency lighting



Housing

- Indoor/outdoor suitable for wet location
- Die-cast aluminum housing
- UV-resistant (3" x 1.5") polycarbonate lens

Mounting

- Wall or ceiling mount
- 1/2" rigid conduit top entry
- Universal J-box mounting

Lamp type

- 1600 lumens in AC mode 600 Lumens in emergency mode
- Color temperature: 5000K
- Dual-mode operation: normal and emergency LED lighting with separate AC inputs

Electronics

- Pulse plus charger
- Low voltage disconnect
- Automatic brownout protection
- Battery lock-out
- Fused output circuit
- 120/277 60Hz
- Rated for -13°F to 122°F (-25°C to 50°C)

Approvals

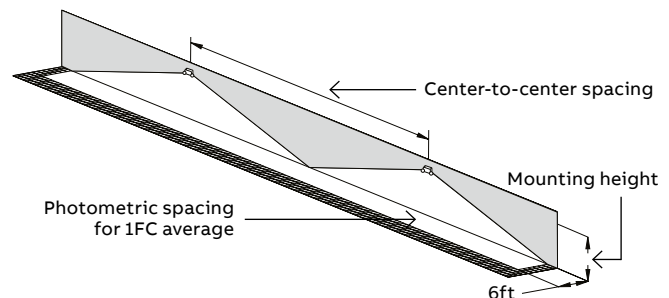
- UL 924 Listed
- NEMA-3R rated for indoor/outdoors cold-weather wet and damp locations: -20 to 40°C (-4 to 104°F) ROHS compliant
- Meets all NFPA 70, NFPA 101 life safety codes

Warranty

- Unit has a three-year warranty
- Detailed warranty terms located on page 178 of the catalog or online at:
www.emergi-lite.com/usa/files/EL_Warranty.pdf

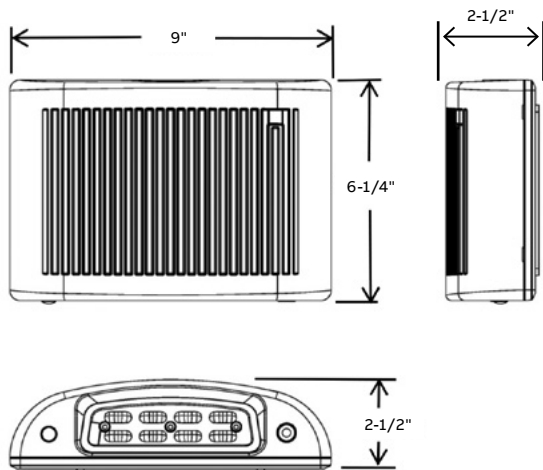
Photometry performance

Spacing center-to-center (feet)	
Mounting height	Distance
7.5'	50'
10'	63'



Dimensions

Dimensions are approximate and subject to change.



Power consumption and unit rating

Model	Battery type	DC specs	AC Specs
		Voltage	Units dual voltage
AC	-	-	120/277
ACSD	Nickel-cadmium	7.2V	

How to order

Color	Series	Model	Options
BZ= Dark bronze	RAD= Radiance	AC= AC only ACSD= Dual-mode	-CW= Cold weather ¹

Example: BZRADACSD-CW

¹ Available on the ACSD version only