



Provider Series - Emergency lighting

6 volt

WARNING:
Risk of Shock.
Disconnect Power before Installation.

IMPORTANT SAFEGUARDS

When using electrical equipment, basic safety precautions should always be followed including the following:

READ AND FOLLOW ALL SAFETY INSTRUCTIONS

1. All servicing should be performed by qualified service personnel.
2. All unused wires must be insulated to prevent shorting.
3. Do not use outdoors.
4. Do not let power supply cords touch hot surfaces.
5. Do not mount near gas or electric heaters.
6. Use caution when handling batteries. Avoid possible shorting.
7. Equipment should be mounted in locations and at heights where it will not readily be subjected to tampering by unauthorized personnel.
8. The use of accessory equipment not recommended by the manufacturer may cause an unsafe condition.
9. Do not use this equipment for other than intended use.
10. Unit to be installed only as per configuration described in this instruction manual.

SAVE THESE INSTRUCTIONS

Installation Instructions

IMPORTANT: Install fixture/lamp type combination no higher than the maximum mounting heights as stipulated in the "Lamp Mounting Height Cross-reference Table" (P/N 750.1924). Refer to "Technical Information" section of our website.

1. Turn off AC power.
2. Route AC unswitched circuit of rated voltage into junction box and leave 6" of wire length.
3. Remove the backplate by pressing on the tabs (see fig. 2) with a screwdriver.
4. Locate the AC connector (if applicable) and attach to the AC circuit. Refer to step 7.
5. Determine the desired position of the test switch (see fig. 5) before mounting the backplate.
6. Choose the proper mounting solution below and continue to step 7.

NOTE: For units with a safety wire, install the safety wire (see figure 1), after installing the back plate, as a means to support the unit while making connections. Insert one of the screws, used for fixing the backplate to the mounting surface or junction box, through the lug on the end of the safety wire before screwing it in place.

a. Junction box mounting

Knock out the proper hole pattern in the back cover to mount to a standard junction box. Route the AC supply leads or connector through the large knockout and mount the backplate to the junction box (see fig. 3a).

b. Ceiling mount

CAUTION: DO NOT install unit to the ceiling unless its model number includes the suffix "CM".

For installation instructions refer to the addendum for ceiling mount.

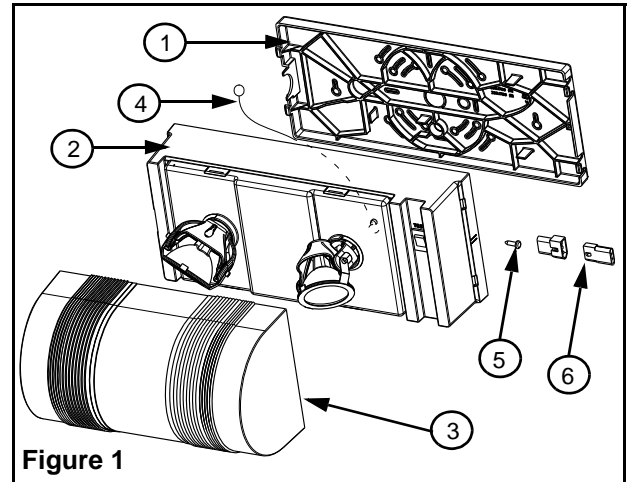


Figure 1

Parts List

- | | |
|--|---|
| 1. Backplate | 5. Securement screw(ceiling mount) |
| 2. Housing | 6. AC connector (not available for all units) |
| 3. Clear lens | |
| 4. Safety wire (not available for all units) | |

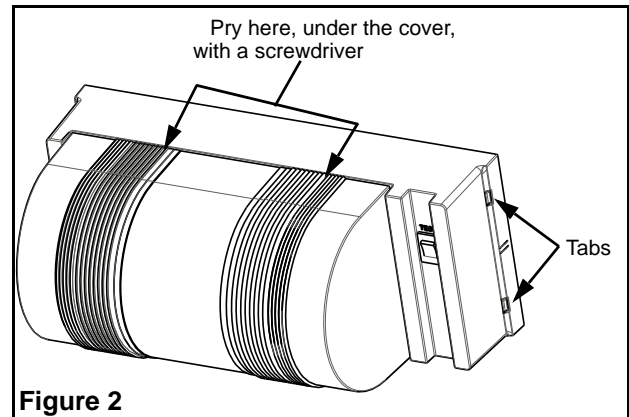


Figure 2

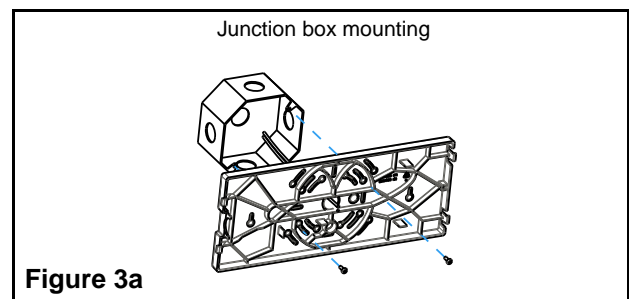


Figure 3a

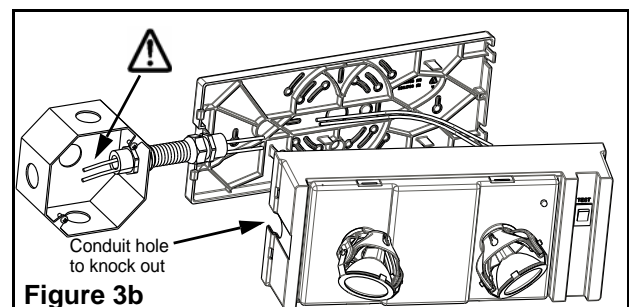


Figure 3b

c. Flexible conduit entry mounting

For conduit entry, mount the backplate to the wall. Break out the conduit hole on the housing (see fig. 3b). Assemble the conduit to the backplate.

d. Line cord installation (option)

Mount the backplate to the wall.

7. Make the proper connections. The system can accept input voltages of 120/277 VAC (see fig. 4).

120 VAC — Connect the black (120 VAC) and white (neutral) leads to the building utility. Insulate the unused wire.

120 VAC with line cord (optional) — Make the proper connections. Connect the wire with the smooth side from the line cord to the black (120 VAC) on the unit and the ridged wire from the line cord to the white (neutral) on the unit. Insulate the unused wire. Connect the green wire on the transformer (if applicable) or insulate the unused green wire from the line cord.

277 VAC — Connect the orange (277 VAC) and white (neutral) leads to the building utility. Insulate the black wire.

IMPORTANT: Route entry wires to avoid contact with the transformer, battery terminals and charger PCBA. Refer to figure 4.

8. Connecting external lamps: pass external DC wires into the unit and connect to internal lamp wires or directly to the PCBA depending on the model.
9. When ready to energize AC circuit, connect the battery.
10. Slide the housing over the tabs; conduit side on housing over conduit side on backplate (see fig. 5). Assemble the conduit side first, then align the tabs on the other side of the housing and of the backplate. Press together until it snaps.
11. Remove the clear lens by prying with a screwdriver, where indicated (see fig. 2).
12. Rotate heads to desired position and replace clear lens.
13. Energize AC. The AC pilot indicator, located under the cover, will illuminate (see fig. 5).

Vandal resistant (option)

Units with vandal resistant option: there are three vandal resistant screws. Two are securing the cover, and the other one secures the housing and the backplate (see fig. 6).

Unit testing

Manual testing

Press test switch (see fig. 5). The emergency lamps will illuminate. When switch is released, lamps will go off. Allow unit to charge for 24 hours before initial testing.

Automatic testing and diagnostics

The automatic testing and diagnostic function includes a micro-controller which self-tests the unit on a monthly basis and identifies as well displays failures of the electrical components: battery, battery charger, lamps.

Self-test

The self-test is performed every month for 1 minute, every 6 months for 30 minutes, and annually for 90 minutes.

Diagnostic function

- For diagnostic function, refer to “User Manual for AD”
- For Nexus models, refer to “Nexus addendum”

Maintenance

None required.

If AC supply to the unit is to be disconnected for 2 months or more, the battery must be disconnected.

Warranty: For the complete warranty information, please refer to the landing page of our website (<http://www.emergi-lite.com/usa/>).

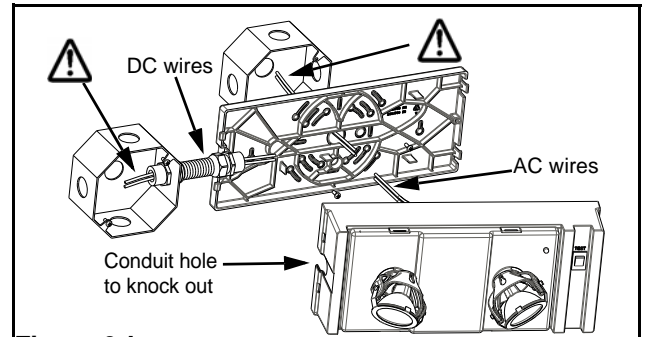


Figure 3d

IMPORTANT: All AC or DC connections must be done in individual external junction boxes.

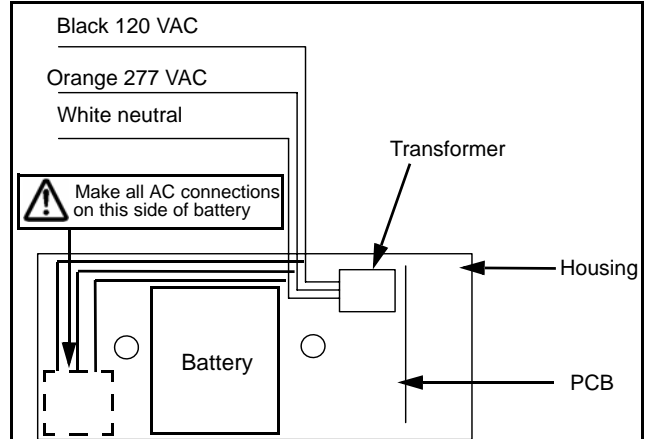


Figure 4

WARNING: Unused primary wire must be insulated to prevent shorting.

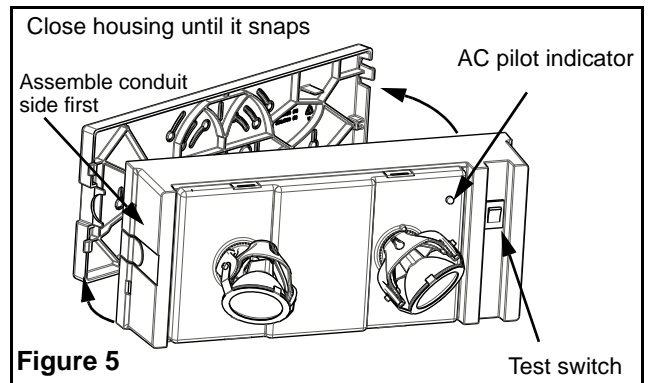


Figure 5

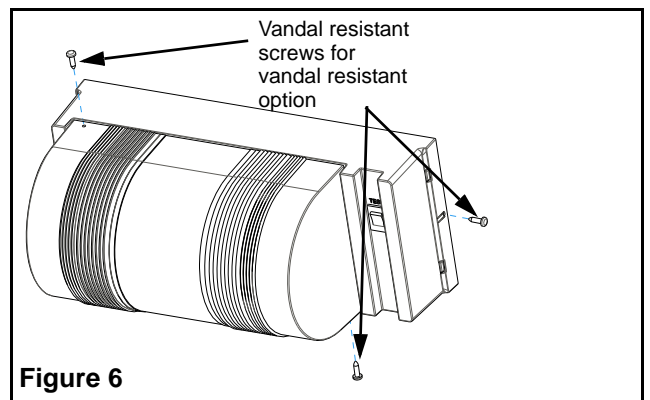


Figure 6