

ESCORT Series

Installation instructions - Decorative emergency lighting unit

IMPORTANT SAFEGUARDS

When using electrical equipment, basic safety precautions should always be followed including the following:

READ AND FOLLOW ALL SAFETY INSTRUCTIONS

1. Do not use outdoors.
2. Do not let power supply cords touch hot surfaces.
3. Do not mount near gas or electric heaters.
4. Use caution when handling batteries. Avoid possible shorting.
5. Equipment should be mounted in locations and at heights where it will not readily be subjected to tampering by unauthorized personnel.
6. The use of accessory equipment not recommended by the manufacturer may cause an unsafe condition.
7. Do not use this equipment for other than intended use.
8. All servicing should be performed by qualified service personnel.

SAVE THESE INSTRUCTIONS**Unpack the fixture:**

Check the contents of the box. You should receive:

- 1 x Mounting plate
- 1 x Fixture
- 2 x Lens
- 1 x Hardware package

Note: First turn off electricity**WALL MOUNTING (see figure page 2)**

1. Remove mounting plate from fixture by prying with screwdriver (See Fig. 1).
2. Remove appropriate key holes knock out on the mounting plate using a screwdriver.
3. Pass white (neutral) and either black (120Vac) or orange (277Vac) wire leads through center hole of mounting plate. Make electrical connections in the junction box. See electrical connections instructions on this page. You may use hanging hook to hang fixture while making connections.
4. Install the mounting plate on the junction box with the provided screws #8-32 x 1" long.
5. Connect red lead to battery positive terminal (See Fig. 2).
6. Snap fixture to mounting plate.
7. Restore power: AC ON indicator will turn on.
8. Press test button: battery powered bulb will light on while AC ON indicator will turn off.

SURFACE OR PENDANT MOUNTING

(see figure page 3)

1. Remove mounting plate from fixture by prying with screwdriver (See Fig. 1).
2. Remove the knockout located on top of the mounting plate.
3. **Surface mount:** Secure the mounting plate to the wall. Install the conduit (pipe) on the unit. **Pendant mount:** Secure mounting plate using conduit (pipe) and connector (not provided).
4. Pass white (neutral) and either black (120Vac) or orange (277Vac) wire leads through knockout of mounting plate. Make electrical connections in the unit. See electrical connections on this page. You may use hanging hook to hang fixture while making connections.
5. Connect red lead to battery positive terminal (See Fig. 2).
6. Snap fixture to mounting plate.
7. Restore power: AC ON indicator will turn on.
8. Press test button: battery powered bulb will light on while AC ON indicator will turn off.

ELECTRICAL CONNECTIONS

Connect white wire lead from fixture to white wire (neutral) from building utility. Also connect black (120Vac) or orange (277Vac) wire to wire from building utility, depending on supplied voltage. Cap off unused wire. Use wire nuts provided with the unit.

RELAMPING

1. Stap off to remove lens.
2. Refer to the relamping information located near lamp holder for recommended maximum wattage. Do not exceed this wattage.
3. Install the bulb.
4. Reinstall the lens.

Wall mounting

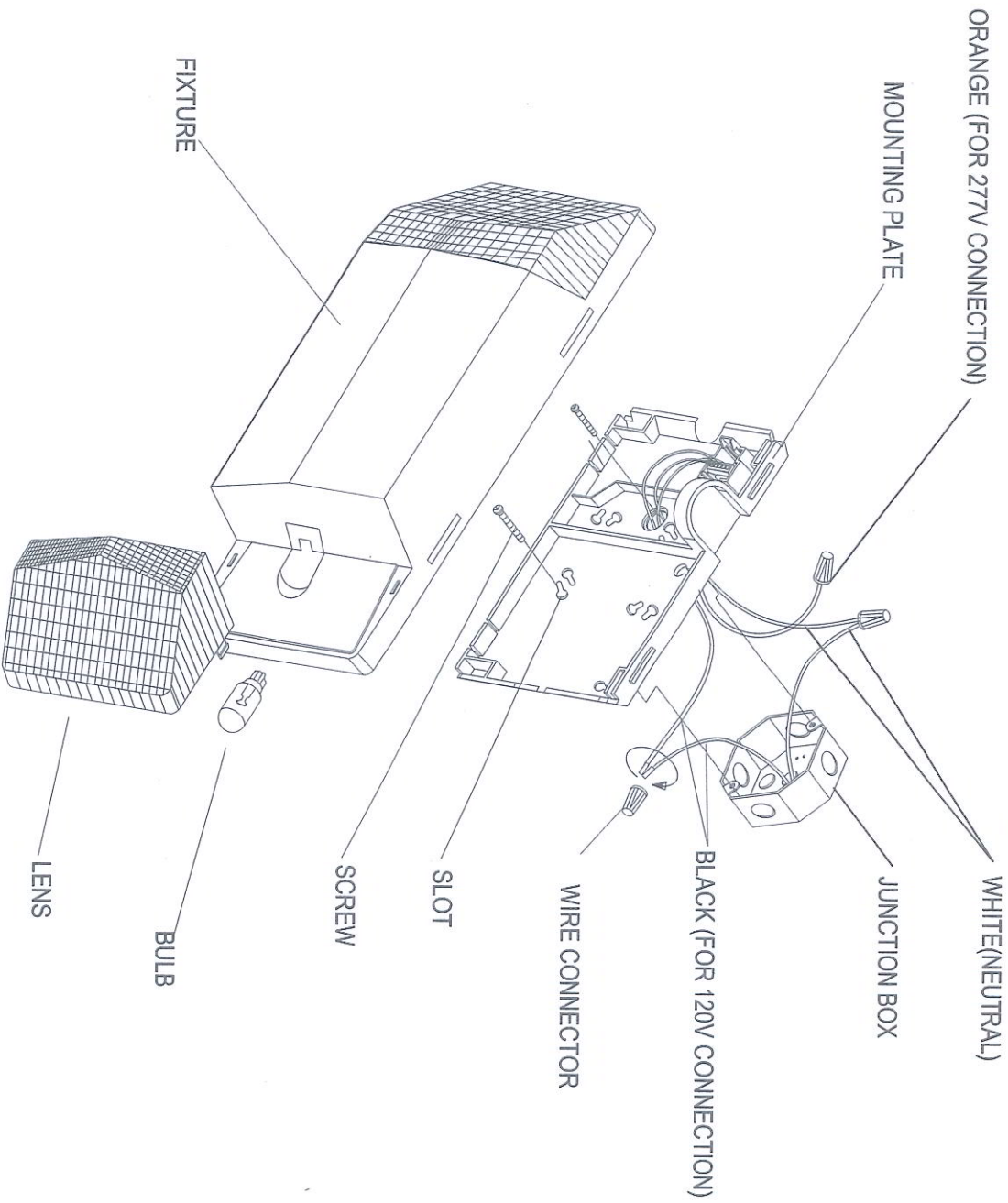


Figure 1

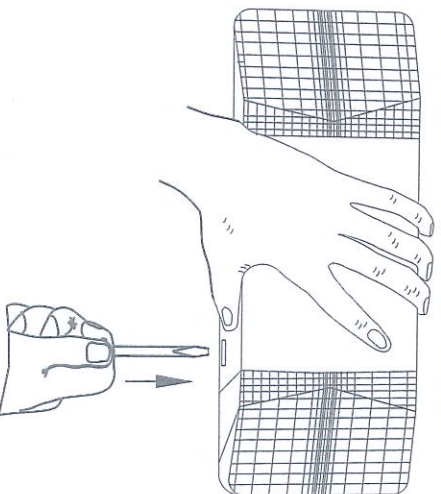
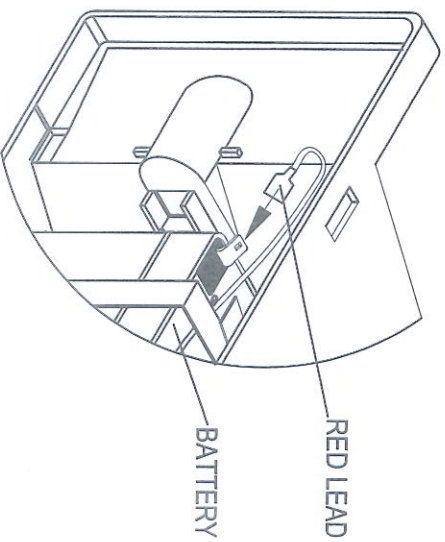
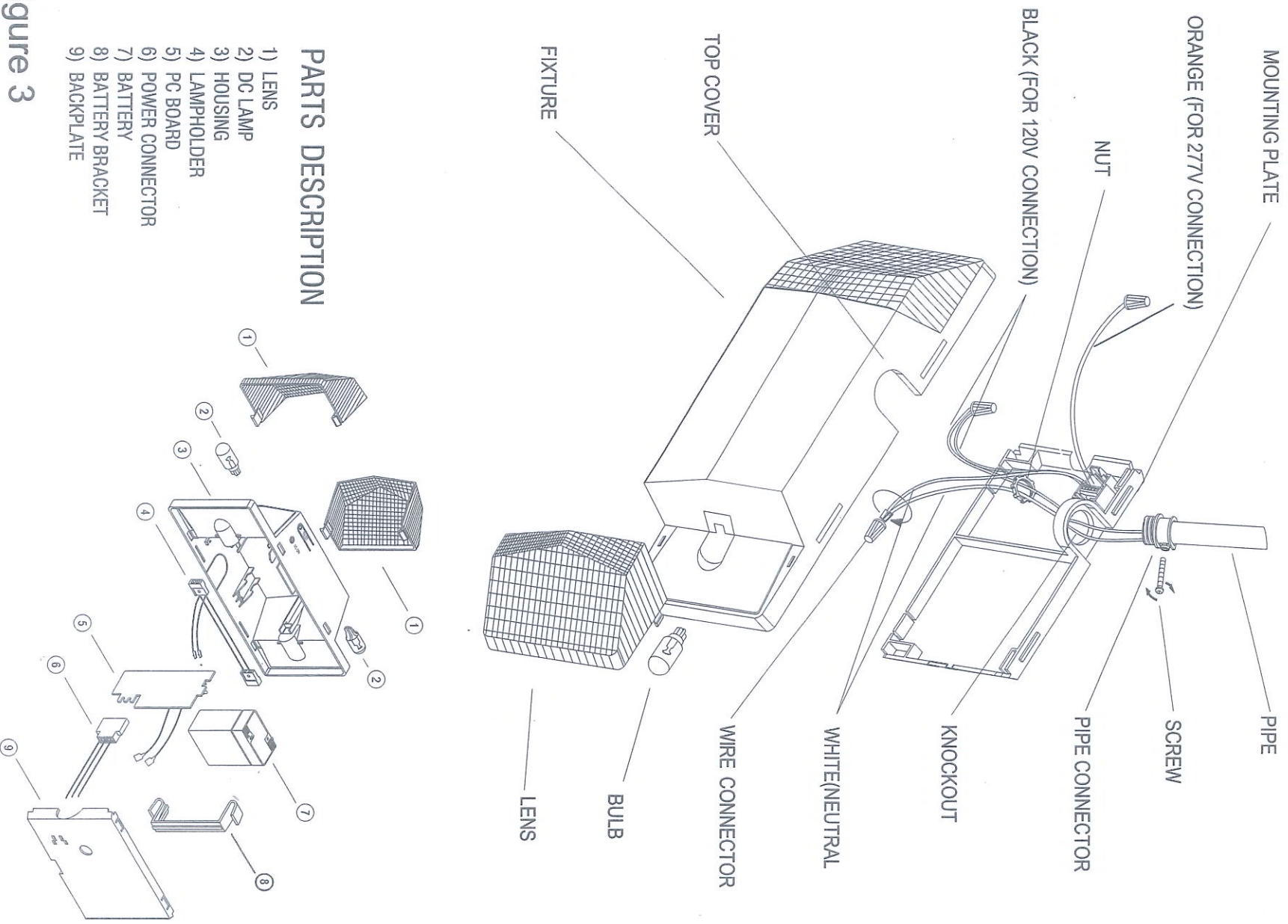


Figure 2



Surface or pendant mounting

**Figure 3**