



ME Series



6 Volt Thermoplastic Housing Emergency Lighting Unit

Listed to UL 924 standards

Sealed Maintenance-Free Batteries

- Lead Calcium ME-2N, ME-4N
- Long Life Lead ME-5N
- Nickel-Cadmium ME-6N

Applications

Ideal for light commercial, industrial, and institutional applications requiring economical compact design without sacrificing quality, reliability and appearance.

General Information

The **ME Series** is an excellent combination of economy and quality – the best offered in the industry. This unit is compact, lightweight, and corrosion resistant.

Each unit is self-contained and furnished standard with fully automatic charger, sealed relay, sealed maintenance-free battery, dual voltage transformer, low voltage battery disconnect, lockout, brownout, test switch, LED pilot light supervision and highly efficient light source.

Standard Features

Reliability

The ME Series comes complete with a 3-year full warranty. Each unit is fully computer tested.

Unit Data

Housing: Compact fire-retardant thermoplastic construction. Meets UL 94, 5VA Flame Classification. Off-white cabinet. Lightweight; compact and corrosion-resistant. Quick and easy installation. Lighting heads programmable for either top or side mounting.

Light Source: two EF9 heads furnished standard with 9W high intensity incandescent lamps and directional mounting swivels. (Optional halogen lamps available)

Mounting

Designed to mount directly to any standard 4" octagonal electric box via universal knockouts. Keyhole mounting slots provided on backplate. Mounting of heads on cabinet is programmable for either top or side mounting. 1/2" conduit entry provided on left side of cabinet.

PulsePlus Charger

PulsePlus Circuitry offers 120/277 volt input standard, dual diagnostic indicator lights, temperature compensation, sealed relay, low voltage battery disconnect, brownout protection and battery lockout.

Electrical

Power Requirements: 120/277 Vac, 60 Hz., 0.3/0.15 A (other inputs available) **Output:** 6 volt output circuit.

Transfer: dust-tight, sealed relay automatically and instantly energizes lamp load upon failure of AC supply. **LVD:** low voltage battery disconnect circuit automatically shuts down lamp load and circuitry when battery reaches 87 1/2% of its nominal voltage, preventing deep discharge and permanent damage to the battery. **Lockout:** labor saving electronic circuit automatically connects battery when AC circuit is activated. **Brownout:** close tolerance electronic circuit activates emergency unit when utility power dips below 80-85% of nominal voltage.

Charger: the PulsePlus charging circuit utilizes an integrated circuit which samples the battery in relation to its temperature, state of charge and input voltage fluctuations. The charger is current limited, temperature compensated, short-circuit proof and reverse polarity protected. Charge regulation is ±1%. The equipment is capable of full recharge in compliance with Underwriters Laboratories 924 specifications. **Transformer:** 120/277 volt. **Controls:** test switch and pilot light.

Optional Features

Description	Add Suffix
Black	B
	Add Suffix
Ammeter or Voltmeter (Choose only one)	-A OR -V
Time Delay (Specify 5, 10 or 15 minutes)	-D1, D2, D3
Cord Set - 120 Volt	-C*
Cord Set - 277 Volt (Specify plug type).....	-E*
EF18 Lamp Heads	-EF18

* Standard cord is 3 ft. (custom lengths available).

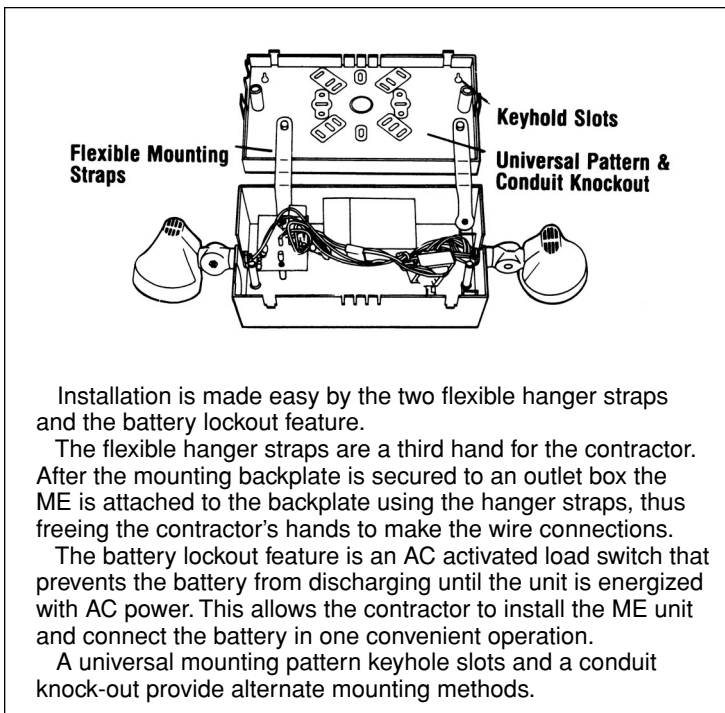
NOTE: Certain option combinations may affect the listing.

Please contact the factory for specifics.

Accessories (order as a separate item)

Wire Guard (Top mounted heads).....	WG1
Wire Guard (Side mounted EF-9 heads)	WG10
Wire Guard (Side mounted EF-18 heads)	WG4
Clear Polycarbonate Vandal Resistant Shield	VRS-BB
Clear NEMA 4X Polycarbonate Vandal Resistant Shield ...	VRS-BB4X

Installation



Unit Rating Chart

Each unit furnished with two 9 watt High Intensity Incandescent lamp.

UNIT EQUIPMENT - WITH REMOTE CAPABILITY						
Sealed Maintenance-Free Battery Types	D.C. Voltage	Model Number	*Watts to 87 1/2% of rated battery voltage			
			1 1/2 hrs.	2 hrs.	3 hrs.	4 hrs.
Nickel-Cadmium	6	ME-6N	18	12	9	6
Long Life Lead	6	ME-5N	18	11	8	6
Lead Calcium	6	ME-2N	12	-	-	-
	6	ME-4N	18	12	10	7

*National Electrical Code Specification

How To Order (example)

For standard units without options only order Model Number

ME-4N

Options are added to units by listing suffix at end of model #

ZD - D1

Model Number

Lamp Option (6V 9W) Option Time Delay

*See lamp data sheet for other lamp wattages.

*Unit Warranty

Entire unit (excluding lamps and fuses) carries a 3-year Full Warranty.

*Battery Warranty

Unit batteries are warranted as follows:

Sealed Lead Calcium: ME-2N and ME-4N – 8-year life expectancy, 3-year Full Warranty, plus 3-year pro rata warranty.

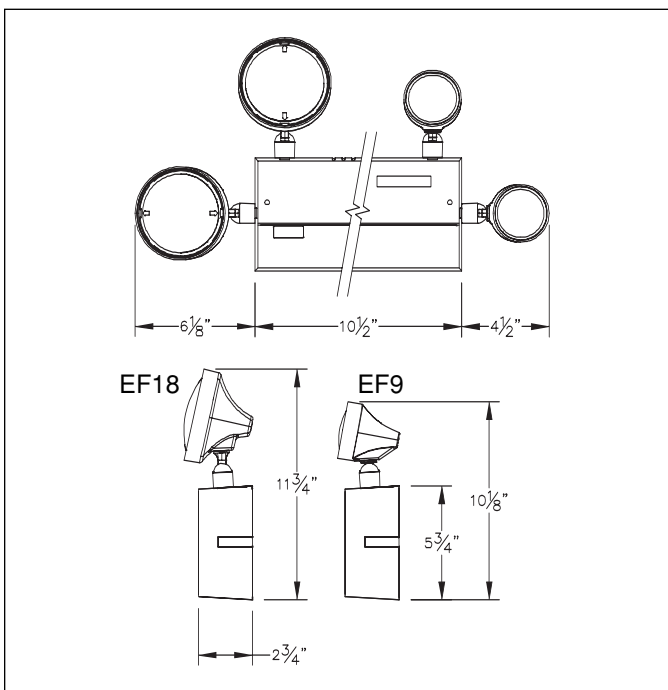
Sealed Long Life Lead: ME-5N – 12-year life expectancy, 5-year Full Warranty, plus 5-year pro rata warranty.

Sealed Nickel-Cadmium: ME-6N – 10-year life expectancy, 5-year Full Warranty, plus 5-year pro rata warranty.

*Subject to proper installation and maintenance.

Outline and Dimensions

Dimensions are approximate and subject to change.



Suggested Specification

Supply and install **EMERGI-LITE Series ME** _____.

The emergency lighting unit shall be an architecturally designed, self-contained fixture including sealed maintenance-free battery.

TYPE ME-2N to be supplied with lead calcium battery.

TYPE ME-4N to be supplied with lead calcium battery.

TYPE ME-5N to be supplied with long life pure lead battery.

TYPE ME-6N to be supplied with Nickel-Cadmium battery.

The unit shall supply the rated load for a minimum of 1 1/2 hours to 87 1/2% of rated battery voltage. The unit shall be rated 120/277, 60 Hz and be UL924 listed.

The unit charger shall utilize an integrated circuit which samples the battery in relation to its temperature, state of charge and input voltage fluctuations. The charger shall be current limited, temperature compensated, short-circuit protected and reverse polarity protected. The unit shall be furnished with an electronic lockout circuit which will connect the battery when the AC circuit is activated, and an electronic brownout circuit which will activate the unit when utility power dips below 80-85% of nominal voltage. A low voltage battery protection circuit shall be provided and will disconnect the load and circuitry from the battery when it reaches 87 1/2% of its nominal voltage. The unit shall be capable of full recharge in compliance with UL924 specifications. The unit shall be furnished with sealed dust-tight relay, a test switch and LED indicator lights.

The cabinet shall be compact size, constructed of flame retardant thermoplastic with an off-white finish. Unit shall have rear keyhole mounting slots and will be designed to mount directly to any standard 4" octagonal electrical box. Unit shall be furnished with two EF9 lighting heads constructed of impact resistant, flame retardant thermoplastic complete with high intensity incandescent lamps.

Every **ME Series** unit shall be fully warranted for three years, subject to proper installation and maintenance. **Unit shall be EMERGI-LITE catalog number** _____.