

## JS Series

Steel housing 6V & 12V up to 54W capacities



nexus



### Housing

- Steel housing
- Standard off-white finish, optional black finish
- Choice of MR16 LED lamp wattages
- Heads available in thermoplastic or decorative die-cast aluminum

### Mounting

- Ceiling or wall mount
- Universal J-box mounting

### Electronics

- Pulse plus charger
- Low voltage disconnect
- Automatic brownout protection
- Battery lock-out
- Fused output circuit
- Optional Advanced Diagnostics
- Optional Nexus® monitoring system
- 120/277 60Hz

### Choice of battery

- 6V or 12V lead-calcium battery
- 6V or 12V nickel-cadmium battery

### Approvals

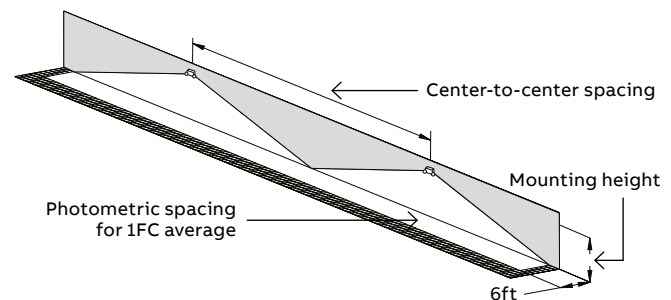
- UL 924 standard
- NYC approved

### Warranty

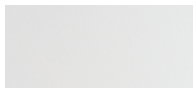
- Unit has a three-year limited warranty
- Detailed warranty terms located on page 178 or online at:  
[www.emergi-lite.com/usa/files/EL\\_Warranty.pdf](http://www.emergi-lite.com/usa/files/EL_Warranty.pdf)

### Photometric performance

Lamp	Spacing center-to-center (feet)	
	7' mounting height	15' mounting height
LA	43'	36'
LG	55'	43'
LI	71'	56'
LJ	100'	85'



### Housing color



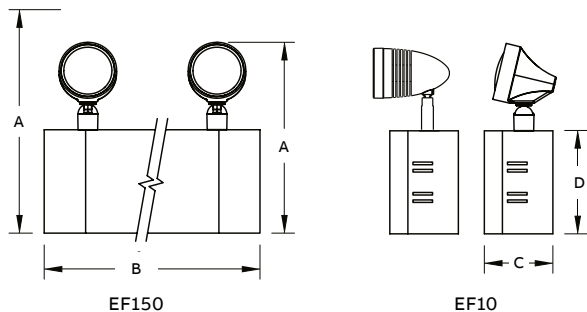
Off white



Black

**Dimensions**

Dimensions are approximate and subject to change.



**Cabinet information**

Cabinet size	Dimensions			
	A	B	C	D
S	11-3/8" // 9-3/4"	11"	3-1/2"	5-1/4"
L	12-3/8" // 10-3/4"	12-3/4"	4"	6-1/4"

**Unit rating**

Sealed maintenance-free battery types	DC voltage	Model number	Battery capacity in watts				Cabinet size
			1 1/2 hrs	2 hrs	3 hrs	4 hrs	
Lead-calcium	6	JSM9	9	6	-	-	S
	6	JSM18	18	12	10		S
	6	JSM27	27	18	14	10	S
	6	JSM36	36	25	20	14	S
	6	JSM54	54	37	28	21	L
	12	12JSM36	36	25	20	14	S
Nickel-cadmium	12	12JSM54	54	37	28	21	L
	6	JSC18	18	12	-	-	S
	6	JSC25	25	18	12	9	S
	12	12JSC36	36	21	15	12	S
	12	12JSC50	50	36	25	18	S

**Accessories** (order as a separate item)

Description	Suffix
Mounting bracket (S cabinet only)	BJ-E
Wire guard (S cabinet only)	WG1-E
Wire guard (L cabinet only)	WG2-E
Wire guard (front mounted heads)	WG10-EG

<sup>1</sup>S cabinet only, order on separate line

**How to order**

Color	Series/capacity	# of lamps	Head style	Lamp type/wattage	Options
<b>Blank</b> = Off white	<b>Lead-calcium</b>	<b>-0</b> = No head	<b>10</b> = Mini plastic	<b>LA</b> = 6V-4W, MR16 LED	<b>-AD</b> = Advanced Diagnostics (audible)
<b>B</b> = Black	<b>JSM9</b> = 6V-9W, lead-calcium	<b>-1</b> = One head	MR16	<b>LG</b> = 12V-4W, MR16 LED	<b>-ADNA</b> = Advanced Diagnostics (non-audible)
	<b>JSM18</b> = 6V-18W, lead-calcium	<b>-2</b> = Two heads	<b>150</b> = EF150 lamp	<b>LI</b> = 12V-5W, MR16 LED	<b>-NEX</b> = Nexus® wired (contact your sales representative)
	<b>JSM27</b> = 6V-27W, lead-calcium	<b>-3</b> = Three heads	heads	<b>LJ</b> = 12V-6W, MR16 LED	<b>-NEXRF</b> = NEXUS® wireless (contact your sales representative)
	<b>JSM36</b> = 6V-36W, lead-calcium				<b>-C</b> = Line cord 120V 3 feet
	<b>JSM54</b> = 6V-54W, lead-calcium				<b>-D3</b> = Time delay (15 minutes)
	<b>12JSM20</b> = 12V-20W, lead-calcium				<b>-FM</b> = Front mounted heads
	<b>12JSM36</b> = 12V-36W, lead-calcium				
	<b>12JSM54</b> = 12V-54W, lead-calcium				
	<b>Nickel-cadmium</b>				
	<b>JSC18</b> = 6V-18W, nickel-cadmium				
	<b>JSC25</b> = 6V-25W, nickel-cadmium				
	<b>12JSC36</b> = 12V-36W, nickel-cadmium				
	<b>12JSC50</b> = 12V-50W, nickel-cadmium				

Example: JSC18-110LA