



IL Series



6 Volt, Heavy Duty Industrial Emergency Lighting Unit

Listed to UL 924 Standard

Sealed Maintenance-Free Batteries

- Lead Calcium (Free Electrolyte)
- Lead Calcium
- Nickel-Cadmium
- Long Life Lead



General Information

The 6 volt IL-Industrial Series is offered where a heavier-duty conventional emergency lighting unit is required for industrial applications. The series is designed to provide ample battery capacity for use when remote fixtures are required.

Each unit is self-contained and furnished standard with a fully automatic charger with seal relay, sealed maintenance-free battery, dual voltage transformer, low voltage disconnect, lockout, brownout, test switch, LED pilot light supervision and highly efficient light source.

Standard Features

Reliability

The IL Series has a 3-year full warranty. Each unit is fully computer tested.

Unit Data

Housing: grey, baked enamel finish, all steel construction. Provision for mounting to any standard octagonal electrical box. 7/8" conduit knockouts provided, 2 each side, 1 rear. Light Source: provided with two black EF18 heads, furnished standard with 9 watt High Intensity Incandescent lamps.

PulsePlus Charger

PulsePlus circuitry offers 120/277 Vac input standard, fused output circuits, dual diagnostic indicator lights, temperature compensated charging circuit, sealed relay, low voltage battery disconnect, brownout protection and lockout (automatic battery connect).

Self-Diagnostic Models (optional)

Advanced Diagnostics (audible and non-audible versions)

Our Advanced Diagnostic circuitry was designed to continuously monitor every critical function of the unit and attached remote lighting heads. Operational status is indicated by colored LED lamps. A high-pitch audible alarm if selected and an LED status indicator alert maintenance personnel of a unit malfunction. The self-testing program will periodically test the unit in accordance with NFPA 101, Life Safety Code. This option saves the time spent on testing and trouble shooting by maintenance personnel. This new generation of Emergi-Lite diagnostics is perfect for any application.

Self-testing in accordance with NFPA 101, Life Safety Code.

Unit tests itself for one minute every thirty days, thirty minutes on the sixth month and ninety minutes annually.

Electrical

Power Requirements: 120/277 Vac, 60 Hz., 0.3/0.15 A (other inputs available) **Output:** 6 volt, fused output circuit. **Transfer:** dust-tight, sealed relay automatically and instantly energizes lamp load upon failure of AC supply. **LVD:** low voltage battery disconnect circuit automatically shuts down lamp load and circuitry when battery reaches 87 1/2% of its nominal voltage, preventing deep discharge and permanent damage to the battery. **Lockout:** labor saving electronic circuit automatically connects battery when AC circuit is activated. **Brownout:** close tolerance electronic circuit activates emergency unit when utility power dips below 80-85% of nominal voltage.

Charger: the PulsePlus charging circuit utilizes an integrated circuit which samples the battery in relation to its temperature, state of charge and input voltage fluctuations. The charger is current limited, temperature compensated, short-circuit protected and reverse polarity protected. The equipment is capable of full recharge in compliance with UL924 specifications. **Transformer:** 120/277 Vac. **Controls:** test switch, dual diagnostic LED indicator lights - hi-charge and AC pilot.

Optional Features

Description	Add Suffix
Advanced Diagnostics.....	-AD
Advanced Diagnostics, non-audible	-ADNA
Ammeter	-A*
Voltmeter	-V*
Lamp Disconnect Switch	-K
Time Delay (Specify 5, 10 or 15 minutes)	-D1, D2, D3**
Non-standard input voltage	Specify
Cord Set - 120 Volt	-C***
Cord Set - Special-voltage (Specify plug type)	-E***
Off-White Cabinet and Heads	-OW
Special cabinet colors	Specify

*Not available with AD/ADNA option

**Not required with AD/ADNA option, standard 15 min. with AD/ADNA option

***Standard cord is 3 ft., custom lengths available.

NOTE: Certain option combinations may affect the listing.

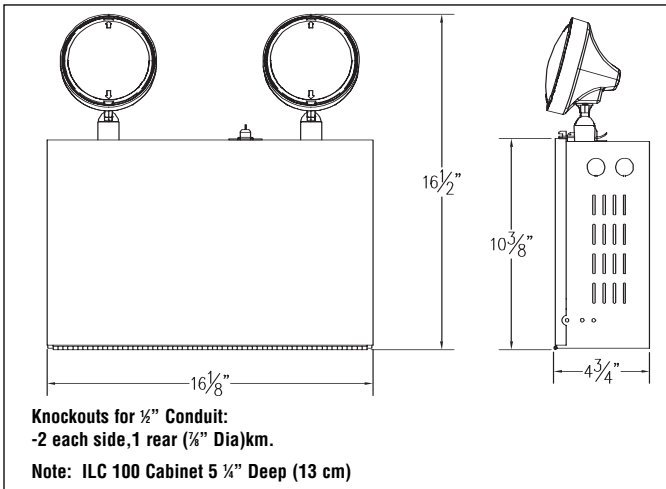
Please contact the factory for specifics.

Accessories (order as a separate item)

Mounting Bracket	B2
Mounting Shelves (Grey)	MP3-GY
Mounting Shelves (Off-White)	MP3
Wire Guard	WG3

Outline and Dimensions

Dimensions are approximate and subject to change.



Unit Rating Chart

Furnished standard with two 9 watt High Intensity Incandescent lamps.

UNIT EQUIPMENT - NO REMOTE CAPABILITY						
Sealed Maintenance-Free Battery Types	D.C. Volt	Model Number	*Watts to 87 1/2% of rated battery voltage			
			1 1/2 hrs.	2 hrs.	4 hrs.	8 hrs.
Nickel-Cadmium	△ 6	ILSC18-2	18	12	6	-
Long Life Lead	△ 6	ILSE18-2	18	11	6	-
Calcium	△ 6	ILSM18-2	18	12	7	-
UNIT EQUIPMENT - WITH REMOTE CAPABILITY						
Nickel-Cadmium	△ 6	ILSC25-2	25	18	9	-
Long Life Lead	△ 6	ILSE27-2	27	16	10	6
	△ 6	ILSE36-2	36	24	13	7
	△ 6	ILSE54-2	54	36	20	11
	△ 6	ILSE80-2	65	35	19	-
	△ 6	ILSE110-2	110	72	40	24
Lead Calcium (Immobilized Electrolyte)	6	ILC87-2	87	70	41	24
	6	ILC100-2	100	77	47	24
Lead Calcium	△ 6	ILSM27-2	27	18	10	6
	△ 6	ILSM36-2	36	25	14	7
	△ 6	ILSM54-2	54	37	21	12
	△ 6	ILSM81-2	81	54	36	18
	△ 6	ILSM110-2	110	72	40	24

*National Electrical Code Specification

△ = Advanced Diagnostics Available

*Unit Warranty

Entire unit (excluding lamps and fuses) carries a 3-year Full Warranty.

*Battery Warranty

Unit batteries are warranted as follows:

Sealed Nickel-Cadmium: ILSC – 10-year life expectancy, 5-year Full Warranty, plus 5-year pro rata warranty.

Sealed Long Life Lead: ILSE – 12-year life expectancy, 5-year Full Warranty, plus 5-year pro rata warranty.

Sealed Lead Calcium (immobilized electrolyte): ILC – 12-year life expectancy, 5-year Full Warranty, plus 5-year pro rata warranty.

Sealed Lead Calcium: ILSM – 8-year life expectancy, 3-year Full Warranty, plus 3-year pro rata warranty.

*Subject to proper installation and maintenance.

Suggested Specification

Supply and install **EMERGI-LITE Series ILSC** _____, **ILSE** _____, **ILSM** _____, **ILC** _____ in 6 volt, single or double heads, with electrically compatible remote fixtures or exit signs as indicated on the plans.

The emergency lighting unit shall be a self-contained fixture including sealed, maintenance-free battery.

TYPE ILSC to be supplied with long life Nickel-Cadmium battery.

TYPE ILSE to be supplied with long life pure lead battery.

TYPE ILSM to be supplied with lead calcium battery.

TYPE ILC to be supplied with lead calcium (free electrolyte) battery.

The unit shall supply the rated load for a minimum of 90 minutes or to 87 1/2% of rated battery voltage. The unit shall be rated 120/277 Vac, 60 Hz and be UL924 Listed.

The unit charger shall utilize an integrated circuit which samples the battery in relation to its temperature, state of charge and input voltage fluctuations. The charger shall be current limited, temperature compensated, short-circuit protected and reverse polarity protected. The unit shall be furnished with an electronic lockout circuit which will connect the battery when the AC circuit is activated, and an electronic brownout circuit which will activate the unit when utility power dips below 80-85% of nominal voltage. A low voltage battery disconnect circuit shall be provided and will disconnect the load and circuitry from the battery when it reaches 87 1/2% of its nominal voltage. The unit shall be capable of full recharge in compliance with UL924 specifications. The unit shall be furnished with sealed dust-tight relay, a test switch and dual diagnostic LED indicator lights (hi-charge and AC pilot).

The entire cabinet shall be constructed of 20 gauge steel in ASA61 grey baked enamel finish. The door shall be hinged to provide full access to the battery and charger for ease of installation and servicing. The door shall be lockable to prohibit unauthorized entry or vandalism. Unit shall have rear keyhole mounting slots and will be designed to mount directly to any standard 4" octagonal electrical box. Unit shall have provisions for mounting up to three lighting heads on the cabinet. Unit shall be furnished with two EF18 lighting heads constructed of impact resistant, flame retardant thermoplastic material complete with 9W High Intensity Incandescent lamps. Fused output terminals shall be provided for ease of remote lamp connections.

Every **IL Series** unit shall be fully warranted for three years, subject to proper installation and maintenance.

Unit shall be **EMERGI-LITE** catalog number _____.

How To Order (example)

For standard units without options only order Series, Battery, Watts, Heads

Options are added to units by listing suffix at end of model

ILS	C	18	-	2	ZD	-	D1
Series	Battery Type	Watts	No. of Heads	Lamp	Option		Option
	Nickel-Cadmium	for 90 min.	on unit	Option	(5-minute time delay)		
				6V 9W**			

**See lamp data sheet in lighting fixture section for other lamp wattages.