

EFEPW = Wall Bracket Mount



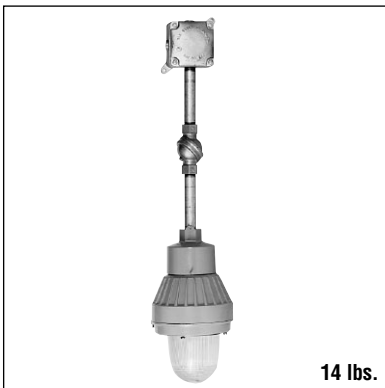
14 lbs.

EFEP C = Ceiling Mount



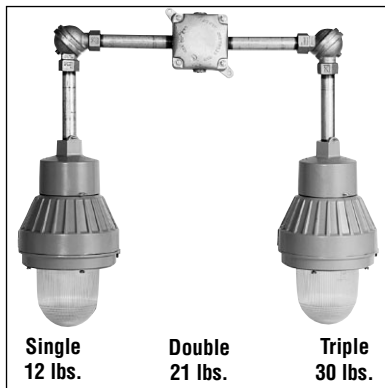
11 lbs.

EFEP P = Pendant Mount with hanger box & pendant



14 lbs.

EFEP1 = Single EFEP2 = Double EFEP3 = Triple



Single  
12 lbs.

Double  
21 lbs.

Triple  
30 lbs.

Dimensions and weights are approximate and subject to change

## General Information

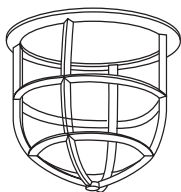
The Explosion-Proof Emergency Lighting Fixtures are designed for mounting in locations that are remote from their power source\*. They are offered with 6, 12 and 24 volt lamps for DC operation. 120 VAC fixtures are also available. (see Lamp Selection Table.)

All EFEP fixtures are manufactured of heavy cast aluminum with Pyrex\*\* lenses. All attached hardware has been designed for explosion-proof application. EFEP P and EFEP1, -2 fixtures include elbows swivels, conduit extension pipe (6 inch increments) and combination explosion-proof junction box/mounting plate (4" box; 6-1/4" mounting center).

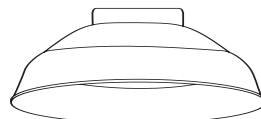
\* If power source is installed outside hazardous areas, the length of connection wires to the lighting load should be carefully considered to assure that voltage of emergency power unit and wire size of connecting circuit are adequate to offset voltage drop in circuit. Wiring should comply with the requirements of Article 501.9 of the NEC.

\*\* Registered trademark of Corning Glass

## Optional Accessories



**Description** Add Suffix  
Guard .....GXP  
One-piece aluminum casting construction, attaches to globe holder ring with four screws.



**Description** Add Suffix  
Dome Reflector .....RD  
Highly reflective white finish inside and out, attaches to globe holder ring with four screws.



**Description** Add Suffix  
Angle Reflector .....RA  
Highly reflective white finish inside and out, attaches to globe holder ring with four screws.

# EFEP Series

## Remote Explosion-Proof, Emergency Lighting Fixtures

### DC or AC Operation

### Applications

- Class I, Division 1 & 2, Groups C & D, (300W PS-25 max)
- Class II, Division 1 & 2, Groups E, F & G, (60W max)
- Class III, Division 1 & 2 (150W max)
- UL listed fixtures for use in Paint Spray Areas (75W max)
- Suitable for Wet Locations
- Complies with NEC, OSHA and NEMA specifications for all above Classes and Groups

### Lamp Selection Chart

Lamp Type	Voltage	Watts	Lamp #	Suffix
High Intensity Tungsten (HIT) Double Contact Bayonet Base (Optional)	6 V	25 W	137	IC
	12 V	25 W	140	IG
	24 V	25 W	143	IK
Halogen (Optional)	6 V	12 W	786	HD
	12 V	12 W	783	HG

### How To Order (example)

For standard units without options only order DC volt, Series, Mounting

Options are added to units by listing suffix at end of model #

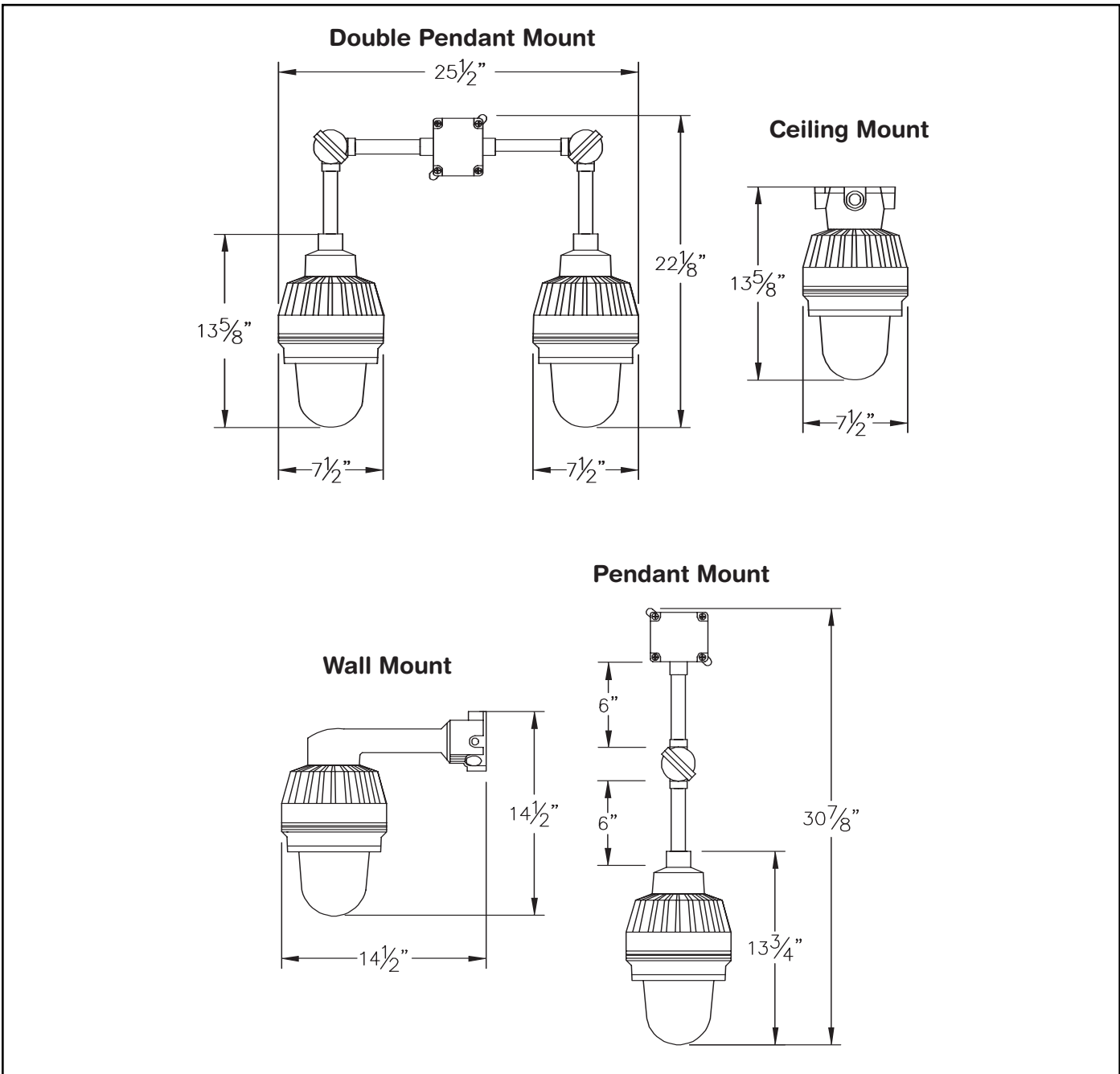
<b>EFEP</b>	<b>P</b>	<b>*(IC)</b>	<b>- GXP</b>	<b>- *6</b>
Series	Mounting P = Pendant	Lamp Option 6V 25W (HIT)	Option Guard	Pendant Length

Includes Standard Lamp  
\*6" pendant supplied if not otherwise specified

\*see lamp data sheet in lighting fixture section for other lamp wattages.

## Outline and Dimensions

Dimensions are approximate and subject to change.



## Typical Specifications

Supply and install the Emergi-lite EFEP Series of hazardous location remote heads. The head housing will be die cast aluminum with gray epoxy powder coat finish. The lens shall be a clear, impact and heat resistant prismatic glass globe. The head shall be factory sealed. External seals shall not be required.

The remote head shall come complete with a \_\_\_\_ mounting connection and include \_\_\_\_ lamp(s) rated \_\_\_\_ volts \_\_\_\_ watts.

The remote head shall be suitable for Class \_\_\_\_, Division \_\_\_\_, Group \_\_\_\_.

The remote head shall be Emergi-lite Model - \_\_\_\_\_.

### \*Unit Warranty

Entire unit (excluding lamps) carries a 3-year Full Warranty.

\* Subject to proper installation and maintenance.