



## EXPK Series

### Harsh Environment Exit Sign Enclosures



- AC-Only and AC/DC Units  
Rated NEMA 4X
- Self-Powered Units  
Weather and Corrosion-Resistant

### Sealed Maintenance-Free Battery

- Nickel Cadmium

### Standard Features

**Reliability** The EXPK Series carries a 3-year full warranty. Each unit is fully computer tested.

**Unit Data** Unit is built into a U.L. Listed NEMA enclosure that is weather and corrosion resistant. Enclosures include a uniformly illuminated polycarbonate face, sealed push-to-test switch and special baffled venting system. EXPK exits are available in single or double face.

**Two Rate Constant-Current Charger** Charger offers 120/277 Vac input standard, fused output circuit, long-life LED indicator AC light, temperature compensation, sealed relay, low voltage battery disconnect, brownout protection and lockout (automatic battery connect).

### Industrial Applications

The **EXPK Series** is designed specifically for indoor industrial applications involving severely corrosive or damp environments. It is ideally suited for hosedown areas such as processing plants, marine locations, and chemical plants.

### Optional Features

Description	Add Prefix
LED Light Source (Red on White only).....	LED
Description	Add Suffix
Time Delay (Specify 5, 10 or 15 minutes) .....	-D1, D2 or D3
Non-standard input voltage .....	specify
Tamperproof Locking Screw (2 screws provided) .....	-TPS
Tamperproof Wrench (required for TPS assembly) .....	-TPW
Battery Disconnect Switch (SNX only) .....	-B
Flasher (DC operation only) .....	-FL

*Note: Certain option combinations may affect the listing.  
 Please contact the factory for specifics.*

### Accessories (order as a separate item)

Wire Guard (wall mount only).....	WG9
Special Exit Faces .....	contact factory

### General Information

The EXPK Series exit sign is built into a U.L. Listed NEMA enclosure that is weather and corrosion-resistant. EXPK Series is offered in AC-Only, AC/DC or Self-Powered configurations. The industrial grade thermoplastic enclosure is designed specifically for hostile environment applications. The sealed faceplate is constructed of heavy duty, vandal resistant polycarbonate and features evenly illuminated, silk-screened 6-inch letters.

### LED Light Source

The LED light panel uses only 2 Watts of energy, has a 20 year expected lamp life, and superior, red, even illumination.

### Technical Data

**Enclosure:** U.L. Listed NEMA enclosure incorporating a rugged, clear, gasketed, polycarbonate cover. Factory assembled canopy provided for ceiling and end mounting.

### Electrical

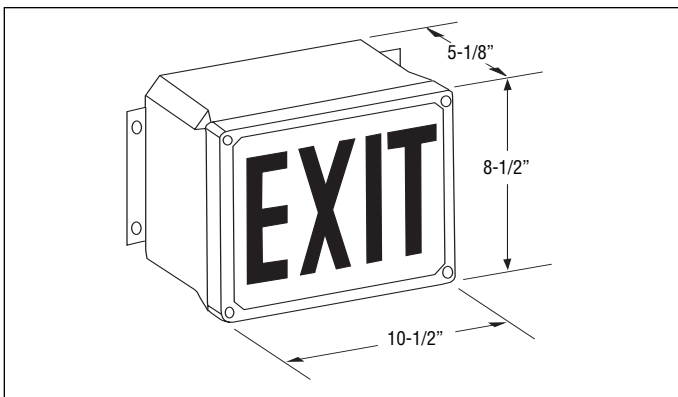
**Power Requirements:** Incandescent lamps 120/277 Vac, 0.25/0.12 A, 60 Hz., 30 watts, LED 120/277 volts 60 Hz., 2 watts, (other inputs available). **Output:** 6 volt, fused output circuit.

**Transfer:** Dust-tight relay automatically and instantly energizes lamp load upon failure of AC supply. **LVD:** Low voltage battery disconnect circuit automatically shuts down lamp load and circuitry when battery reaches 87 1/2% of its nominal voltage, preventing deep discharge and permanent damage to the battery.

**Lockout:** Labor saving electronic circuit automatically connects battery when AC circuit is activated. **Brownout:** Close tolerance electronic circuit activates emergency unit when utility power dips below 80-85% of nominal voltage. **Lamps:** AC lamps furnished (2) long-life, 12 watt #15T6145 candelabra base; DC lamps furnished, (2) 3 watt wedge base (6, 12 or 24 volt) or 6V red LED panel. **Charger:** Utilizes an integrated circuit which samples the battery in relation to its temperature, state of charge and input voltage fluctuations. The charger is constant current, temperature compensated, short-circuit protected and reverse polarity protected. The equipment is capable of full recharge in compliance with UL924 specifications. **Transformer:** 120/277 Vac. **Controls:** Test switch, LED AC pilot light.

## Outline and Dimensions

Dimensions are approximate and subject to change.



## \*Unit Warranty

Entire unit (excluding lamps and fuses) carries a 3-year Full Warranty.

## \*Battery Warranty

Sealed Nickel-Cadmium Battery has a 10 year life expectancy and carries a 5-year Full Warranty, plus a 5-year pro rata warranty.

*\*Subject to proper installation and maintenance.*

## Faceplate Selection






Description	Add Suffix
LED Light Source - Available only with Red (letter) White (background)	
Red (letters)/White (background).....	RW
White (letters)/Red (background).....	WR
Green (letters)/White (background) .....	GW
White (letters)/Green (background) .....	WG

## How To Order

EXPK exit signs are available in a wide variety of types, mountings, faceplates, voltages, etc. To make your selection easier, we have listed the standard configurations in the chart below. When ordering, and in addition to the basic catalog number, you must specify the color of faceplate as indicated at right. Insert these suffix letters in the space provided by the asterisk (\*). Add options to end of model number. As an example:

<b>12</b>	<b>*LED</b>	<b>EXPK</b>	<b>E</b>	-	<b>277</b>	-	<b>*RW</b>	-	<b>D1</b>
DC Volt Blank = AC Only 6 = 6 Volt 12 = 12 Volt 24 = 24 Volt <small>Includes Standard Lamp</small>	Light Source Blank = Incandescent PL = Fluorescent LED = LED	Series	Mounting (End)		AC Volt (277 volt)		Letters Red Letter/ White Background		<i>Option</i> Time Delay See optional features on front page

## Standard Configurations For EXPK Units Note: Specify light source and faceplate color where asterisk(\*) are noted.

Model	AC Exit		AC/DC Exit (Numerical Prefix Denotes DC Voltage)		Self-Powered Exit
	120 Volt	277 Volt	120 Volt	277 Volt	120/277 Volt
Single Face/Wall Mount 	*EXPK-120-*	*EXPK-277-*	6*EXPK-120-*	6*EXPK-277-*	*EXPK-SNX-*
			12*EXPK-120-*	12*EXPK-277-*	
			24*EXPK-120-*	24*EXPK-277-*	
			32*EXPK-120-*	32*EXPK-277-*	
			120*EXPK-120-*	120*EXPK-277-*	
Single Face/End Mount 	*EXPKE-120-*	*EXPKE-277-*	6*EXPKE-120-*	6*EXPKE-277-*	*EXPKE-SNX-*
			12*EXPKE-120-*	12*EXPKE-277-*	
			24*EXPKE-120-*	24*EXPKE-277-*	
			32*EXPKE-120-*	32*EXPKE-277-*	
			120*EXPKE-120-*	120*EXPKE-277-*	
Single Face/Ceiling Mount 	*EXPKC-120-*	*EXPKC-277-*	6*EXPKC-120-*	6*EXPKC-277-*	*EXPKC-SNX-*
			12*EXPKC-120-*	12*EXPKC-277-*	
			24*EXPKC-120-*	24*EXPKC-277-*	
			32*EXPKC-120-*	32*EXPKC-277-*	
			120*EXPKC-120-*	120*EXPKC-277-*	
Double Face/End Mount 	*EXPK2E-120-*	*EXPK2E-277-*	6*EXPK2E-120-*	6*EXPK2E-277-*	Not Available
			12*EXPK2E-120-*	12*EXPK2E-277-*	
			24*EXPK2E-120-*	24*EXPK2E-277-*	
			32*EXPK2E-120-*	32*EXPK2E-277-*	
			120*EXPK2E-120-*	120*EXPK2E-277-*	
Double Face/Ceiling Mount 	*EXPK2C-120-*	*EXPK2C-277-*	6*EXPK2C-120-*	6*EXPK2C-277-*	Not Available
			12*EXPK2C-120-*	12*EXPK2C-277-*	
			24*EXPK2C-120-*	24*EXPK2C-277-*	
			32*EXPK2C-120-*	32*EXPK2C-277-*	
			120*EXPK2C-120-*	120*EXPK2C-277-*	