

TYPE: _____
 CATALOG #: _____
 NOTES: _____



Premier™ Series

LED Thermoplastic, universal-mount & snap-fit Exit Sign

Features

- Indirect reflective technology provides bright, even illumination
 - Long-life LED light source for low maintenance costs and superior illumination
 - Durable, injection-molded, thermoplastic housing. Optional vandal-resistant shield with tamper-proof screws
 - Energy efficient power consumption: less than 3.5 watts for Self-Powered version and less than 3W for AC only single or double face
 - Available with a sealed, maintenance-free Nickel-Cadmium battery
 - Dual voltage input: 120/277VAC. Optional Advanced Diagnostic circuitry, flasher/buzzer, and fire alarm-activated flasher
 - Standard Universal, supplied with two faceplates, back plate for wall mount and easy install canopy for end and ceiling mounting. Universal, field-selectable snap in/out chevrons
 - UL924 Listed
 - UL Listed for damp locations
 - 5-year limited warranty
- Detailed warranty terms located at: www.emergi-lite.com/usa/files/EL_Warranty.pdf

Wire Guards

WALL	CEILING	END
WG1-E	WG5-E	WG5-E

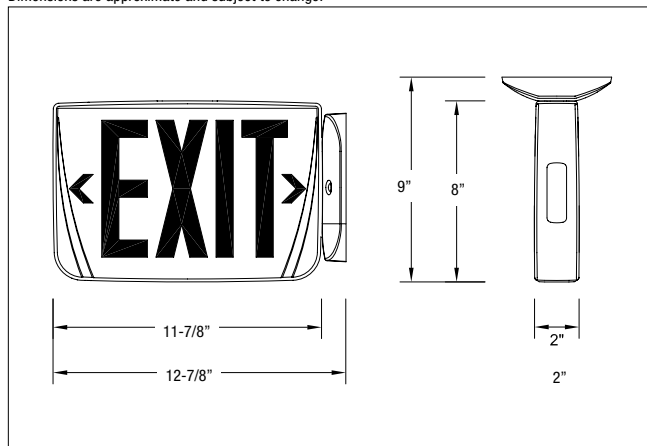
Accessories (order as a separate item)

DESCRIPTION	SUFFIX
Pendant White	PRE-P-WH*
Pendant Black	PRE-P-BK*
Wire Guard (wall mount)	WG1-E
Wire Guard (ceiling mount and end mount)	WG5-E

* Specify pendant length

Dimensions

Dimensions are approximate and subject to change.



Suggested Specification

Supply and install the **Emergi-Lite® Premier™** exit sign. The standard equipment shall operate with a dual-voltage input of 120/277VAC with less than 3.5 Watts of consumption. The exit shall be suitable for wall, end, or ceiling mount. The faceplate shall be constructed of a durable high impact thermoplastic and come standard with snap in/out chevrons. No screws are necessary to hold the faceplate or the back plate to the housing. The one piece thermoplastic frame is molded in white (optional black). The light source shall be light emitting diodes (LEDs). The LEDs shall provide illumination in normal and emergency operation and shall be mounted inside the exit housing. The light source shall be long-life LEDs installed in a PSB strip. A LED-sensitive diffuser shall be mounted in front of the LEDs to provide the 6" high by 3/4" stroke letters with even illumination. The exit sign in a self-powered configuration shall be equipped with a sealed, maintenance-free Nickel-Cadmium battery. The equipment shall stay illuminated at least 90 minutes upon AC failure. The exit sign shall be listed to UL924 standard and be approved for use in damp locations. The self-powered model equipped with optional advanced diagnostic shall self-test by simulating a power failure for one minute every 30 days, 30 minutes every 60 days and 90 minutes every 360 days.

A diagnostic circuit shall continuously monitor the performance of the battery, charger module and LED lamps. Upon failure detection the system shall display the error on the AC pilot lamp, which will change color from green to red and will flash with a specific code. The pilot lamp shall be steady-on red in case of "Battery

Disconnect"; it shall flash red with one blink for "Battery failure", two blinks for "Charger failure" and four blinks for "LED lamp failure. A label with the diagnostic legend shall be visible next to the pilot lamp.

The unit shall be **Emergi-Lite®** model: _____.

Unit Warranty*

Unit carries a 5-year full warranty. (excluding lamps and fuses)

*Subject to proper installation and maintenance

Optional Self-Test/Self-Diagnostic

Continuous self-diagnostic monitoring. Self-testing per Life Safety Code requirements. This circuitry is programmed to ensure the exit sign's readiness and reliability by continuously monitoring every critical function of the unit. If a problem occurs, a single "service required" indicator illuminates immediately.

A detailed diagnostic display that will further indicate the nature of the fault is located on the inside of the exit sign, out of sight from the general public. The self-test will test the unit a minimum of 30 seconds every 30 days, 30 minutes every 60 days and 90 minutes annually.

Power Consumption

Each unit is furnished with one HIT lamp per head.

MODEL	AC SPECS		DC SPECS	
AC-Only	120/277VAC, 60Hz	Less than 2.5W	–	–
AC / DC-remote	120/277VAC, 60Hz	Less than 2W	6 to 48VDC	Less than 1.5W
Self-Powered	120/277VAC, 60Hz	Less than 3.3W	Ni-Cd battery	Min. 90 minutes
Self-Powered with Diagnostic	120/277VAC, 60Hz	Less than 2.8W	Ni-Cd battery	Min. 90 minutes

How to Order

HOUSING COLOR	SERIES	UNIT TYPE	COLOR	OPTIONS
W = White B = Black	PREM = LED plastic EXIT	Standard models AC = AC only (120/277V) U = 120/277VAC & 6 to 48VDC SNX = Self-Powered Ni-Cd Optional models 2C1 = Dual AC circuit (2x120V) 2C2 = Dual AC circuit (2x277V) DN = Self-Powered advanced diagnostic circuitry NEX = NEXUS® wired NEXRF = NEXUS® wireless	R = Red universal R1 = Red single face* R2 = Red double face* G = Green universal G1 = Green single face* G2 = Green double face* Open face RW = Red on white GW = Green on white (Open face required with special wording legends) *Available with VR & VR1 options only	Blank = No option BA = Brushed aluminum exit stencil FZ = Flasher buzzer (DN model only) FL = Flasher (DN model only) FA = Fire alarm activated flasher (AC, U, 2C1, 2C2 and DN models only) FBF = Flasher buzzer + fire alarm activated flasher (DN model only) VR = Vandal-resistant screws* VR1 = Polycarbonate shield with tamper proof screws* *Please specify single or double face, red or green

Example: **WPREMACR**