



Preceptor Series

**Remote Capacity Die Cast Exit Sign
Designed to Drive Remote
Emergency Units**

Listed to UL924 Standard

Sealed Maintenance-Free Batteries

- Lead Calcium
- Cadmium Free, Environmentally Friendly Nickel Metal Hydride



Standard Features

Reliability

The Preceptor Series comes complete with a 5-year full warranty.

Unit Data

Housing: Constructed of die cast Aluminum, each Preceptor remote capable Exit sign comes standard with a power canopy that houses the battery, input transformer and printed circuit board. The standard unit color is a black frame with a brushed aluminum face, although optional colors are available to suit any décor. Specify single or double face as required.

Mounting: Exit signs may be ceiling, end, or back mounted (single-face exit only) to the power canopy. The power canopy surface mounts directly to the junction box. (supplied by others).

Light Source: Long-life, high-performance, low- power consumption, Red LEDs of technology, provide an even illumination in the normal and emergency modes.

Battery: Sealed, maintenance-free 6-volts battery: Lead. Calcium or Nickel-Metal Hydride.

Application Flexibility

Lead-Calcium Models (RCL) - Sealed, maintenance-free Lead-Calcium batteries power the exit sign for an estimated period of 20+ hours minimum with no remote load or 90-minutes run time with 9 watts remote load.

Nickel Metal Hydride Models (RCN) - Sealed, maintenance-free Nickel metal hydride batteries power the exit sign for an estimated period of 20+ hours minimum with no remote load or 90-minutes run time with 12 watts remote load.

Nickel Metal Hydride Models (RCX) - Sealed, maintenance-free Nickel metal hydride batteries power the exit sign for an estimated period of 40+ hours minimum with no remote load or 90-minutes run time with 24 watts remote load.

Electrical

Input: 120/277 Vac, 60Hz, 0.06/ 0.03 A Max.

Output: 60 Vrc, 9W/12W/24W

RCL - 120/277 Vac, 60 Hz, .02 A max, 6Vdc, 9W

RCN - 120/277 Vac, 60 Hz, .03 A max, 6Vdc, 12W

RCX - 120/277 Vac, 60 Hz, .03 A max, 6Vdc, 24W

Unit Rating Chart Unit equipment with remote capability- total power available for emergency lights

Sealed Maintenance- Free Battery Types	*Watts to 87 1/2% of rated battery voltage			
	1 1/2 hrs.	2 hrs.	3 hrs.	4 hrs.
Lead-Calcium	9	-	-	-
Nickel-Metal Hydride	12	9	-	-
	24	18	12	9

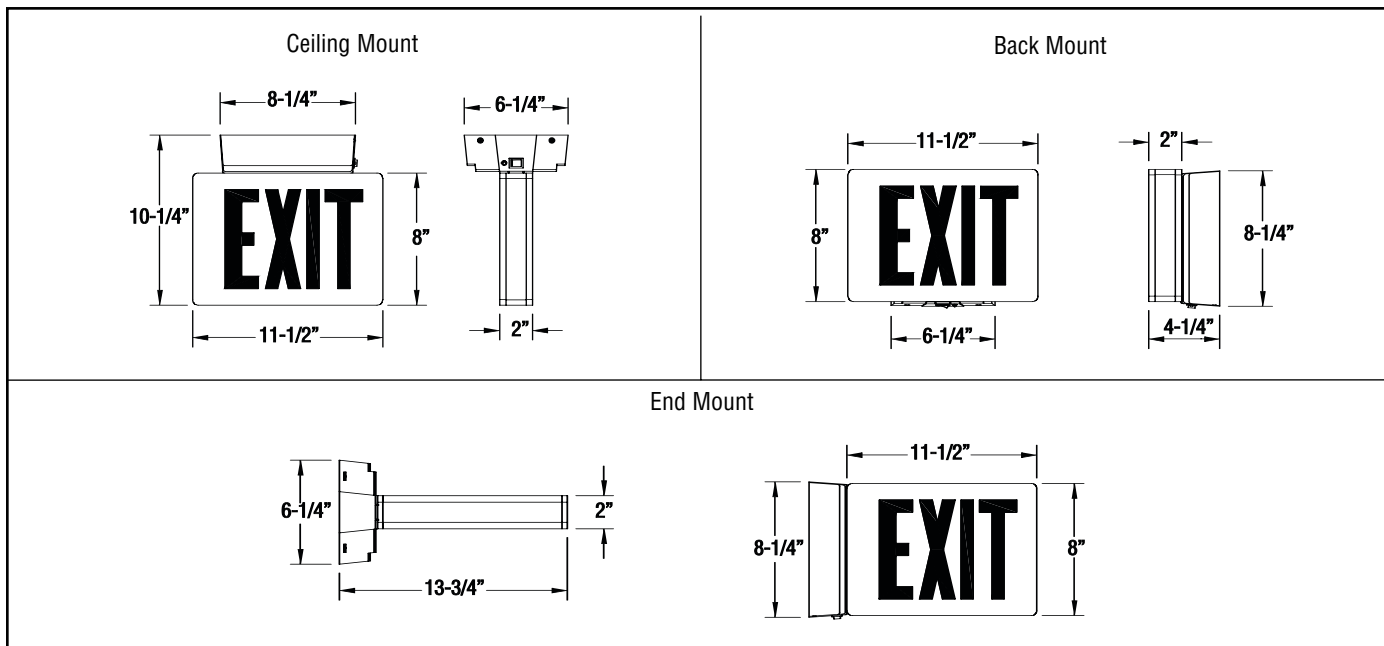
* National Electrical Code Specification

Self-Test/Diagnostic Feature (Optional)

The self-test/diagnostic feature continuously monitors the charger assembly, battery and LED assembly current. If a fault is indicated, the external service required indicator will illuminate. The internal fault indicators will then indicate the nature of the fault. The self-test/diagnostic will self test for 30 seconds every 30 days, 30 minutes every 60 days and 90 minutes annually. Meets NFPA 101 Life Safety Code requirements for periodic testing.

Outline and Dimensions

Dimensions are approximate and subject to change.



Optional Features

Color Options

Black Body with Black Face	BB
White Body with White Face	WW
White Body with Brushed Aluminum Face	WA
All Brushed Aluminum	AA
Polished Brass	PB
Polished Chrome	PC
Dark Bronze #313	BZ

Add Prefix

Description

Advanced Diagnostics	-AD
Advanced Diagnostics, non-audible	-ADNA
Time delay (specify 5, 10 or 15 minutes)	-D1, -D2 or -D3**
Flasher- buzzer (emergency mode)	-FZ*
Fire alarm activated flasher	-FA*
Damp location listed	-DL
Vandal resistant screws	-VR
Vandal resistant shield and screws	-VR1

Add Suffix

*Not available with AD/ADNA option

**Not required with AD/ADNA option.

NOTE: Certain option combinations may affect the listing.
Please contact the factory for specifics.

Suggested Specification

Supply and install Emergi-Lite Preceptor Series _____ exit signs with extra capacity.

Signs shall be Listed to UL 924 Standards.

Exit frame, back plate, faceplate and mounting canopy shall be of die cast Aluminum construction. The exit sign shall have concealed knockouts for programmable directional chevrons. The canopy shall include the AC transformer, the charger circuitry and the sealed battery used to power the exit sign and the remote load.

Shall be long life light emitting diodes (LED), Red LEDs shall be of ALINGAP technology. LED lamps shall provide 100% illumination in normal and emergency operation. A color rich diffuser shall be mounted in front of the LEDs to provide the legend. The unit shall provide 90 minutes of battery powered emergency illumination.

Shall be fully automatic pulse-plus technology, micro controller based.

The batteries shall be completely sealed, maintenance-free, Cadmium-free superior performance and long life.

Shall include a LED pilot light and test switch. A filtered and regulated power supply shall protect the LEDs from typical power surges. All models shall be 120/277 Vac dual voltage.

How To Order MODEL EXAMPLE:

Housing Color	LEDP Series	RCN Battery Type	1 Number of Faces	R Legend Color	-AD Option Suffix
Color Option Blank=Black body brushed aluminum face	LEDP=Preceptor LED Series	RCL=Sealed Lead Calcium, 9 watts remote capacity RCN=Sealed Nickel Metal hydride, 12 watts remote capacity RCX=Sealed Nickel Metal hydride, 24 watts remote capacity	1=Single Face 2=Double Face	R=Red or G=Green Open Face* RW=Red/White GW=Green/White *Required for special wording	See optional features

Unit Warranty*

Entire unit carries a three-year full warranty

Battery Warranty*

Sealed Lead-Calcium: RCL - 8 year life expectancy, 3-year Full Warranty, plus 3-year pro rata warranty.

Sealed Nickel Metal Hydride: RCN-RCX - 10 year life expectancy, 5-year Full Warranty, plus 5-year pro-rata warranty.

Nickel-Metal Hydride (NiMH) is a state-of-the-art battery technology, Lead-free and Cadmium-free.

*Subject to proper installation and maintenance.