

ECX-2-L1R/G Series

Thermoplastic LED Exit and lighting Unit

IMPORTANT SAFEGUARDS

When using electrical equipment, basic safety precautions should always be followed including the following:

READ AND FOLLOW ALL SAFETY INSTRUCTIONS

1. Do not use outdoors.
2. Do not let power supply cords touch hot surfaces.
3. Do not mount near gas or electric heaters.
4. Use caution when handling batteries. Avoid possible shorting.
5. Equipment should be mounted in locations and at heights where it will not readily be subjected to tampering by unauthorized personnel.
6. The use of accessory equipment not recommended by the manufacturer may cause an unsafe condition.
7. Do not use this equipment for other than intended use.
8. All servicing should be performed by qualified service personnel.

SAVE THESE INSTRUCTIONS

Installation Instructions

1. Turn off AC power.
2. Route AC unswitched circuit of rated voltage into electrical box and leave 6" of wire length.
3. Remove back plate using a screwdriver in pry slots at bottom.
4. Determine mounting location.
Note — Unit is for wall mounting only

Wall mounting

1. Knock out proper hole pattern in back plate by placing two blocks of wood under the backplate (one on each side of the hole). Strike knockouts with a hammer and screwdriver. Mount backplate to standard electrical box (see fig. 2).
2. Locate the AC connector (see fig. 1). Route AC wires of male half through the large hole in back plate. Attach to the unswitched AC circuit.
3. Our unit accepts an input voltage of 120 VAC or 277 VAC (see fig. 3).
120 VAC — Connect the black wire (120 VAC) and white (neutral) to the building utility. Insulate the orange wire.
277 VAC — Connect the orange (277 VAC) and white (neutral) to the building utility. Insulate the black wire.
4. Attach back plate to electrical box with junction box screws.
5. When ready to energize AC circuit, connect the two red battery leads, (they are taped together for convenience).

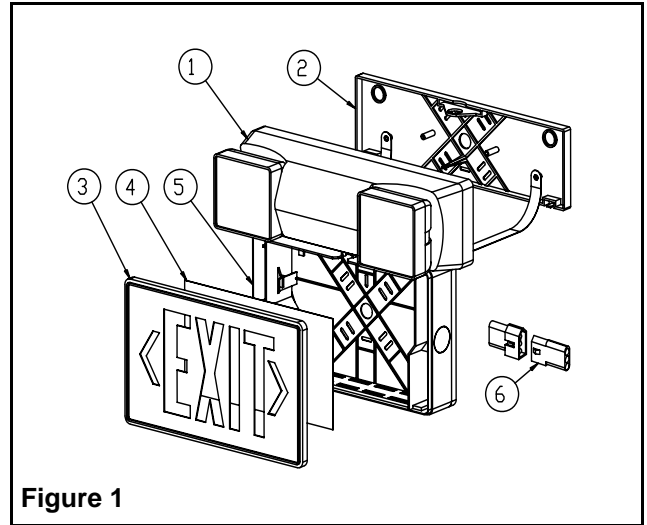


Figure 1

Part List

- | | |
|---------------------------|-----------------|
| 1. Front Cover with Heads | 4. Diffuser |
| 2. Back plate | 5. Exit housing |
| 3. Exit face | 6. AC Connector |

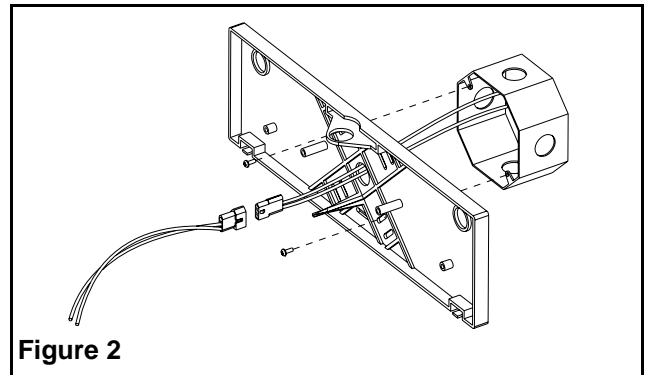


Figure 2

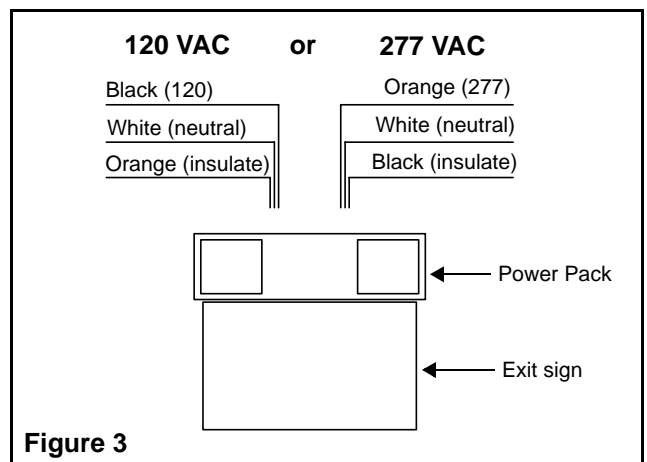


Figure 3

6. AC must be off when mating AC connector. Mate the AC connector on the unit with the connector from the building AC service. Push excess wires back through the large knockout in the back plate.
7. Re-install front cover onto back plate.
8. Remove exit face from exit housing by prying off in slots at bottom. Remove diffuser and knock out arrows as required: push the arrows from the outside with thumb. Re-install diffuser.
9. Re-install exit face.
10. Energize AC. Exit sign and red pilot indicator on ECX-2-L1R/G will illuminate.

Testing

Depress test switch (see fig. 4). DC lamps will illuminate and exit sign will remain illuminated. Release test switch and unit will return to normal standby operation. Allow unit to charge for 24 hours before initial full duration testing.

Maintenance

None required. Unit should be tested monthly in accordance with the requirements of NFPA 101, Life Safety Code, or local codes. If the AC supply to the unit is to be disconnected for two months or more, the battery must be disconnected.

