

ELXN400R-2MRS

Self-powered LED Exit Sign and Halogen Light Unit Combo

IMPORTANT SAFEGUARDS

When using electrical equipment, basic safety precautions should always be followed including the following:

READ AND FOLLOW ALL SAFETY INSTRUCTIONS

1. DO NOT USE OUTDOORS.
2. DO NOT MOUNT NEAR GAS OR ELECTRIC HEATERS.
3. DO NOT LET POWER CORDS TOUCH HOT SURFACES.
4. USE CAUTION WHEN SERVICING BATTERIES. AVOID POSSIBLE SHORTING.
5. EQUIPMENT SHOULD BE MOUNTED IN LOCATIONS AND AT HEIGHTS WHERE IT WILL NOT READILY BE SUBJECTED TO TAMPERING BY UNAUTHORIZED PERSONNEL.
6. THE USE OF ACCESSORY EQUIPMENT NOT RECOMMENDED BY THE MANUFACTURER MAY CAUSE AN UNSAFE CONDITION.
7. DO NOT USE THIS EQUIPMENT FOR OTHER THAN INTENDED USE.
8. BEFORE WIRING TO AC SERVICE, TURN OFF AC POWER AT FUSE OR CIRCUIT BREAKER.
9. DISCONNECT AC POWER AND UNPLUG BATTERY BEFORE SERVICING.
10. WHEN RELAMPING, ONLY USE LAMPS SPECIFIED IN THE FIXTURE.
11. BATTERY IN THIS UNIT MAY NOT BE FULLY CHARGED. AFTER THE AC SERVICE IS HOOKED UP TO UNIT, LET THE BATTERY CHARGE UP FOR AT LEAST 24 HRS BEFORE PERFORMING ANY TESTS.

SAVE THESE INSTRUCTIONS

Installation Instructions

BACK MOUNTING - See Figure 1

1. Remove 3/8" hole plug from the center of light head back plate. Remove oblong knock outs on back plate that correspond to junction box holes to be used.
2. Feed AC supply leads through center hole and make the proper connections. If using 120VAC, connect the black and white leads to the building utility. If using 277VAC, connect the orange and white leads to the building utility. Cap off unused wire. Be sure to snap battery connector together.
3. Feed excess wire into junction box and secure back plate to junction box.
4. Snap in arrows on EXIT door as required. Then snap EXIT door to housing, top first and then bottom.

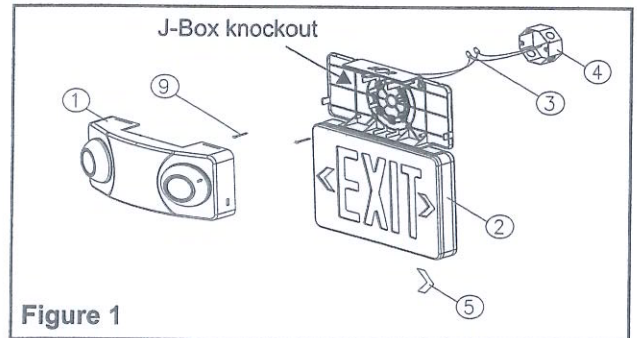


Figure 1

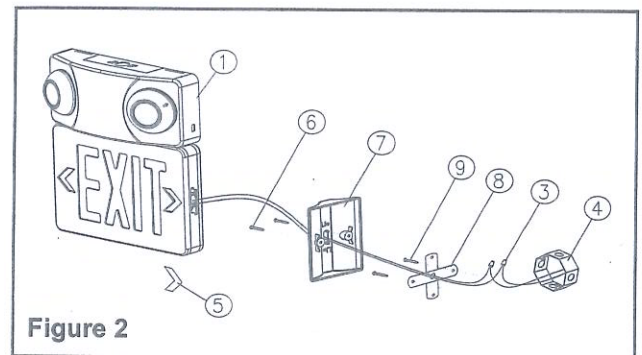


Figure 2

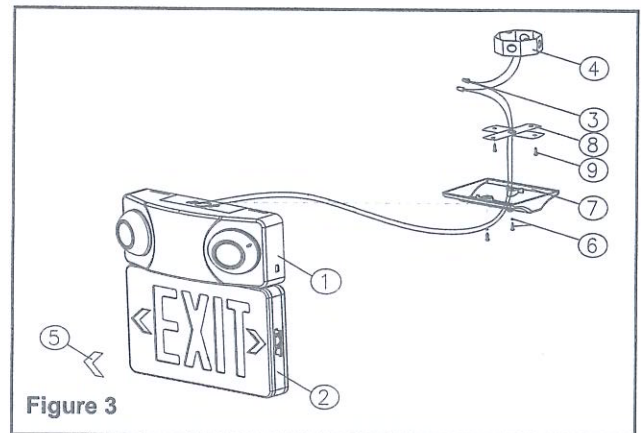


Figure 3

| | |
|--|---|
| <p>WIRING 277VAC 120VAC INPUT INPUT</p> | <p>Part List</p> <ol style="list-style-type: none"> 1. Light head housing 2. EXIT housing 3. Wire nuts 4. Junction box (Building Utility) 5. Snap-in directional arrow 6. Canopy screws 7. Canopy 8. Crossbar 9. Crossbar screws (not provided) 10. Holding wire |
|--|---|

SIDE MOUNTING - See Figure 2

1. Attach crossbar to junction box. Set the crossbar so that the longer blade is touching the junction box.
2. Open light head housing, then feed AC supply leads through center hole at the bottom. Assemble light head housing.
3. Feed AC supply leads through side hole, being sure to secure wire into wire guides molded at the edges of the sign.
4. Attach sign to canopy (7) by inserting canopy into sign at an angle, then twist to secure.
5. Make the proper supply lead connections. If using 120VAC, connect the black and white leads to the building utility. If using 277VAC, connect orange and white leads to the building utility. Cap off unused wire. Be sure to snap battery connector together.
6. Push excess wire into junction box and align holes in canopy with those in crossbar. Using screws and washers supplied, tighten canopy to crossbar so that canopy is securely fastened and tight against wall.
7. Snap in arrows to EXIT door as required. Snap supplied cover into ceiling mounting hole. Then snap EXIT door to housing, top first and then bottom.

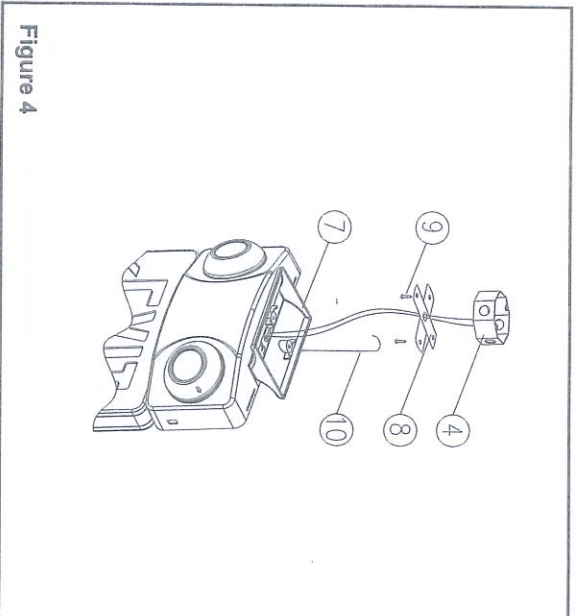


Figure 4

CEILING MOUNTING - See Figure 3

1. Attach crossbar to junction box. Set the crossbar so that the longer blade is touching the junction box.
2. Feed AC supply leads through top hole, being sure to secure wire into wire guides molded at the edges of the sign.
3. Attach sign to canopy by inserting canopy into sign at an angle, then twist to secure.
4. Make the proper supply lead connections. If using 120VAC, connect the black and white leads to the building utility. If using 277VAC, connect orange and white leads to the building utility. Cap off unused wire. Be sure to snap battery connector together.
5. Push excess wire into junction box and align holes in canopy with those in crossbar. Using screws and washers supplied, tighten canopy to crossbar so that canopy is securely fastened and tight against ceiling.
6. Snap in arrows to EXIT door as required. Snap supplied cover to side mounting hole. Then snap EXIT door to housing, top first and then bottom.

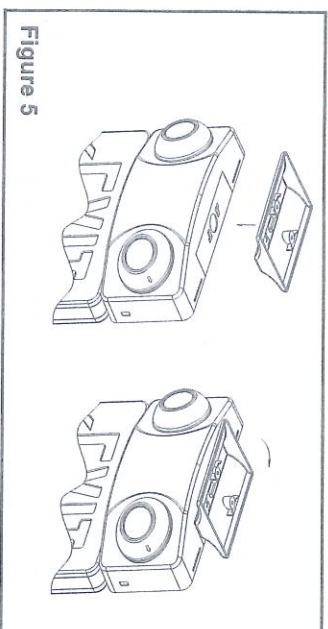
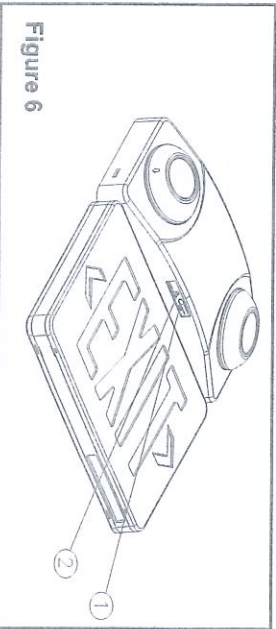
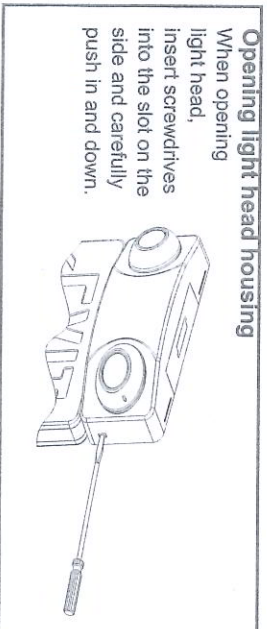
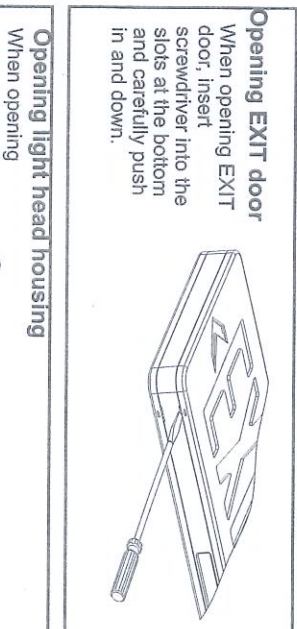


Figure 5



MANUAL TESTING

1. Manual testing can be initiated by pushing on the test switch (1) (Figure 6)
2. Battery in this unit may not be fully charged. After AC servives is hooked up to unit, let the battery charge up for at least 24 hrs before performing any tests.