

Compact Fluorescent Emergency Ballast For 2-pin Compact Lamps



FPDL7-13 Series

Listed to UL924 standard

- Meets or exceeds all NEC and Life Safety Code
Emergency Lighting Requirements.

Sealed Maintenance-Free Batteries

- Long life high temperature Ni-Cad.
- Painted steel case.
- Dual voltage 120/277V, 60Hz.

Controls

- Includes test switch and charge indicator
accessory kit.

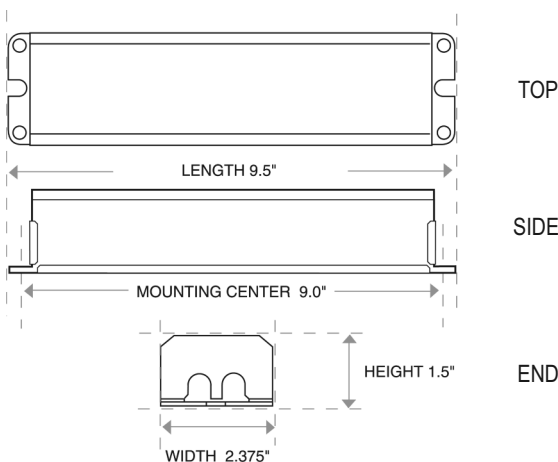


Technical Specifications

Input Voltage.....	120/277V, 60Hz
Input Wattage.....	3.5 Watts
Lamps Operated.....	7, 9 & 13 Watts Twin Tube
 2-pin with integral starter
 9 - 3W USA Quad 2-pin with integral starter
Emergency Operation.....	90 minutes
Initial Illumination.....	650 lumens
Operating temp.....	0° to 55°C
Approval.....	UL Listed
Weight.....	4.4 lbs

Outline and Dimensions

Dimensions are approximate and subject to change



Standard Features

RELIABILITY

The FPDL7-13 comes complete with a 3-year warranty

UNIT DATA

- **Lumen output** - (1) Lamp - 650 Lumens
- **Lamps operated** - 7, 9 & 13 Watts Twin Tube 2-pin with integral starter
9 - 13W USA Quad 2-pin with integral starter
- **Emergency Operation** - 90 minutes

Operational Characteristics

The FPDL7-13 from EMERGI-LITE is a UL Listed fluorescent emergency ballast that allows the same fixture to be used for both normal and emergency operation. In the event of a power failure, the FPDL7-13 switches to the emergency mode and operates one of the existing lamps for 90 minutes. The unit contains a battery, charger, and inverter circuit in a single can. The FPDL7-13 can be used with most 7, 9 & 13 Watts 2-pin twin tube compact fluorescent lamps, with an initial output of up to 650 lumens for one lamp. The FPDL7-13 version provides 3/8" flex for wiring to the fixture or ballast compartment and standard switch box containing the test switch, charge light, and unit battery connector.

How to order

Standard unit.....FPDL7-13

Compact Fluorescent Emergency Ballast For 2-pin Compact Lamps



FPDL18-26 Series

Listed to UL924 standard

- Meets or exceeds all NEC and Life Safety Code Emergency Lighting Requirements.

Sealed Maintenance-Free Batteries

- Long life high temperature Ni-Cad.
- Painted steel case.
- Dual voltage 120/277V, 60Hz.

Controls

- Includes test switch and charge indicator accessory kit.

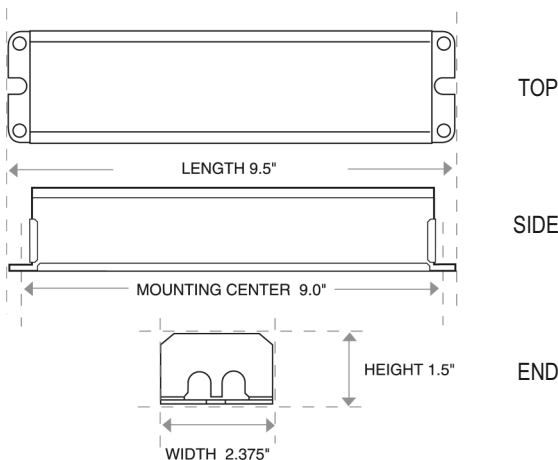


Technical Specifications

Input Voltage.....	120/277V, 60Hz
Input Wattage.....	3.5 Watts
Lamps Operated.....	18 & 26 Watts quad tube
	2-pin with integral starter
Emergency Operation.....	90 minutes
Initial Illumination.....	(1) lamp up to 650 lumens
Operating temp.....	0° to 55°C
Approval.....	UL Listed
Weight.....	4.4 lbs

Outline and Dimensions

Dimensions are approximate and subject to change



Standard Features

RELIABILITY

The FPDL18-26 comes complete with a 3-year warranty

UNIT DATA

- **Lumen output** - (1) Lamp - 650 Lumens
- **Lamps operated** - 18 & 26 Watts Quad Tube 2-pin lamps with integral starter
- **Emergency Operation** - 90 minutes

Operational Characteristics

The FPDL18-26 from EMERGI-LITE is a UL Listed fluorescent emergency ballast that allows the same fixture to be used for both normal and emergency operation. In the event of a power failure, the FPDL18-26 switches to the emergency mode and operates one of the existing lamps for 90 minutes. The unit contains a battery, charger, and inverter circuit in a single can. The FPDL18-26 can be used with most 7, 9 & 13 Watts 2-pin twin tube compact fluorescent lamps, with an initial output of up to 650 lumens for one lamp. The FPDL18-26 version provides 3/8" flex for wiring to the fixture or ballast compartment and standard switch box containing the test switch, charge light, and unit battery connector.

How to order

Standard unitFPDL18-26

Compact Fluorescent Emergency Ballast For 4-pin Compact Lamps



FPDL10-42 Series

Listed to UL924 standard

- Meets or exceeds all NEC and Life Safety Code Emergency Lighting Requirements.

Sealed Maintenance-Free Batteries

- Long life high temperature Ni-Cad.
- Painted steel case.
- Compatible with most electronic, Rapid-Start AC Ballast.
- Self-Testing Diagnostics Models available.
- Dual voltage 120/277V, 60Hz.
- Damp Location Models available.

Controls

- Includes test switch and charge indicator accessory kit.
- 90 minutes emergency operation.
- Selectable lamp leads for optimizing light output for desired lamp type.

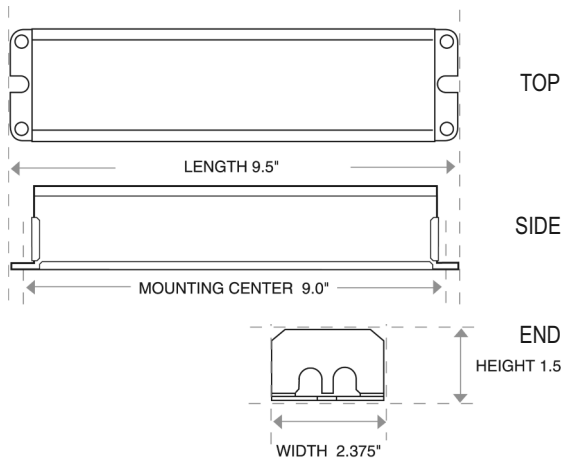


Technical Specifications

Input Voltage.....	120/277V, 60Hz
Input Wattage.....	3.5 Watts
Lamps Operated.....	10-42 Watts 4-pin Rapid-Start
 Compact lamps including Twin,
 Triple, Quad tube, 2D & Straight
Emergency Operation.....	(1) 10-42W or (2) 10-26W 90 min.
Initial Illumination.....	650 lumens
 (350 Lumens each lamp)
Operating temp.....	0° to 55°C
Approval.....	UL Listed
Weight.....	2 lbs

Outline and Dimensions

Dimensions are approximate and subject to change



How to order

Standard unit.....	FPDL10-42
Damp Location Listed.....	FPDL10-42-DL
Self-Testing Diagnostic Unit.....	FPDL10-42-D