

FPS-T Fluorescent Power Pack (2 Lamps)

IMPORTANT SAFEGUARDS

When using electrical equipment, basic safety precautions should always be followed including the following:

READ AND FOLLOW ALL SAFETY INSTRUCTIONS

1. Do not use outdoors.
2. Do not let power supply cords touch hot surfaces.
3. Do not mount near gas or electric heaters.
4. Use caution when handling batteries. Avoid possible shorting.
5. Equipment should be mounted in locations and at heights where it will not readily be subjected to tampering by unauthorized personnel.
6. The use of accessory equipment not recommended by the manufacturer may cause an unsafe condition.
7. Do not use this equipment for other than intended use.
8. All servicing should be performed by qualified service personnel.

SAVE THESE INSTRUCTIONS

Installation Instructions

The FPS-R/T can be used with all, two through four foot instant-start or rapid-start fixtures. The units are designed to mount directly to, (FPS-R) or adjacent to, (FPS-T), the fluorescent fixture, and interconnects with the flexible conduit supplied.

Important notice — The fluorescent fixture ballast and FPS pack must be connected to the same branch feeder circuit !

1. Turn off AC power.
2. Open access unit to FPS unit. For the FPS-R, mount unit directly to the fluorescent fixture housing. For the FPS-T, lay the unit adjacent to the fluorescent fixture in the suspended grid ceiling.
3. Remove conduit knockout in the FPS pack and route AC circuit, of rated voltage, into unit.
4. Remove conduit knockout in existing fluorescent fixture in an area near AC ballast wiring. Install flexible conduit from FPS pack to fixture, and connect per figure 1 on back. Install lamps in fixture.
5. Before permanently energizing AC circuit, connect red battery leads inside FPS unit. Lamps may illuminate at a reduced brightness. Close cover of FPS pack.
6. Energize AC. Fluorescent lamp(s) and red pilot indicator will illuminate.

Testing

To test, depress test switch. Two fluorescent lamps will remain on at reduced brightness. Release the test switch and the unit will return to normal operation. Allow unit to charge for one week before performing full duration test.

Maintenance

None required. However, unit should be tested periodically in accordance with the NEC or other codes.

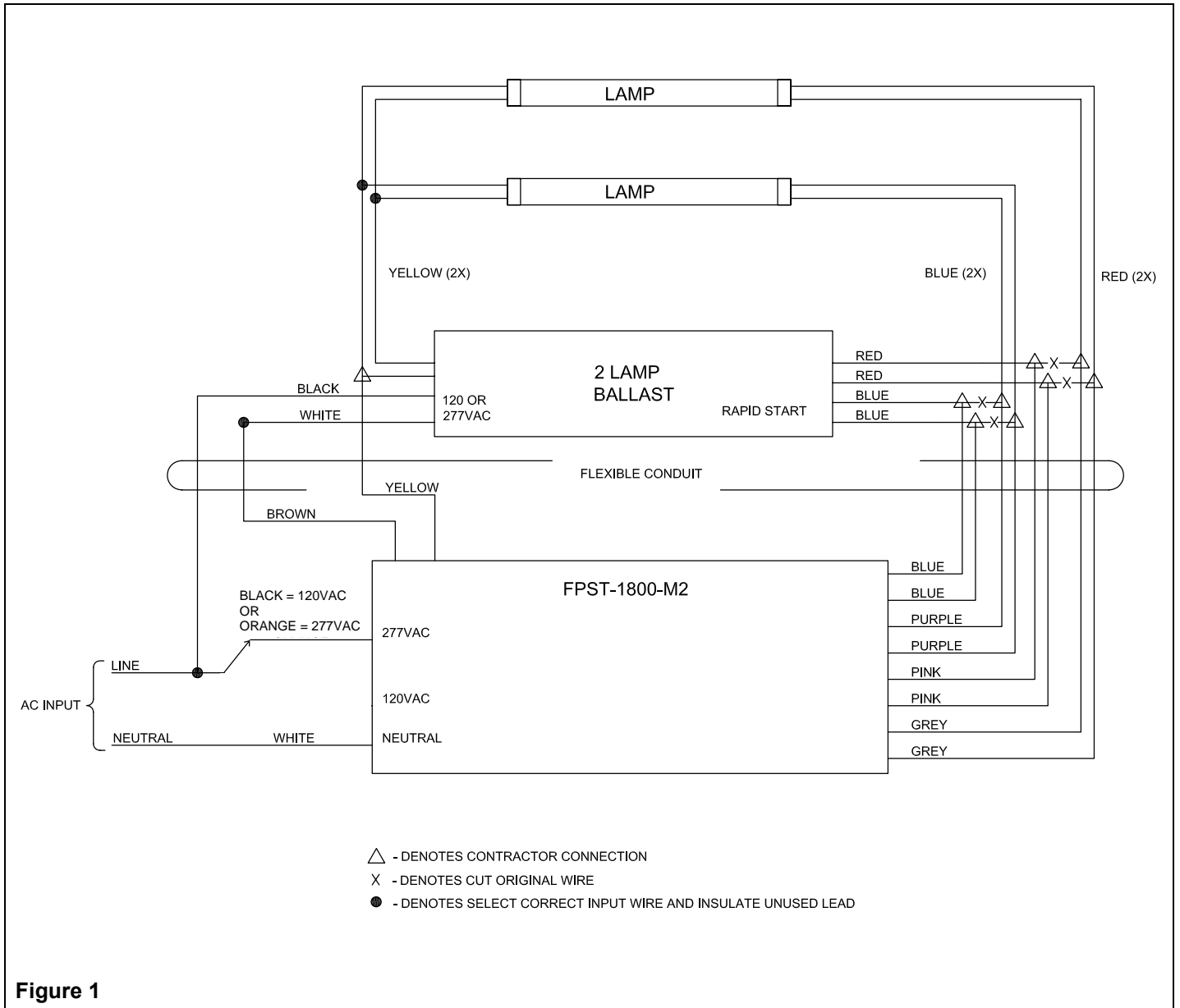


Figure 1