



# Lux-Ray

Series



BATTERY UNIT AND REMOTE FIXTURE

**NEW**  
*White LED*  
*normally-on option*



ADAcompliant

**EMERGI-LITE**  
[www.emergi-lite.com](http://www.emergi-lite.com)

# Lux-Ray Series



- **Low profile, slim lines – measures only 6.6” x 9.5”**
- **Superior illumination**
- **Fully gasketed housing, rugged die-cast body and UV-resistant lens**
- **Choice of four durable, textured powder coat finishes**
- **Fast and easy installation**
- **Easy to replace Xenon lamps**

## **White LED – Accent Light Lux-ray with dual-mode illumination (optional)**

- **General**

The dual-mode illumination feature enables the Lux-ray to provide lighting not only during power outages, but also in normal conditions. This is achieved with a secondary light source, a long-life, 5-watt power LED lamp dedicated to normal lighting.

When equipped with this feature, the equipment includes two independent circuits, electrically isolated from each other: the standard input for emergency lighting and a secondary input for normal lighting. The secondary input can be connected to a regular AC line that may include an electric switch. The dual-mode illumination option is available with any model of Lux-ray unit:

= Battery-operated (self-powered): Lead-Calcium (6V 12W), NiMH (6V20W) and NiMh extreme temperatures (6V 12W)

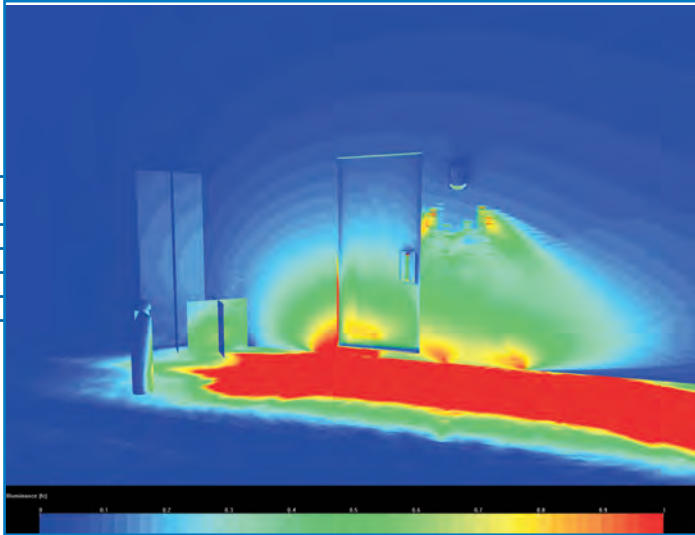
= DC-remote: 6Vdc or 12Vdc; 2 x 6W or 2 x 10W Xenon lamps

- **Electrical**

The Lux-ray LED lamp for normal lighting utilizes one five-watt white LED supplied with a simple and robust ballast circuitry.

o AC input: dual voltage 120/277Vac, 0.04A, 5W

o LED lamp operational life: 50,000 hours (till 70% of initial light level)



3D light level colored scale image, illustrating illumination level of the Lux-Ray Series, photometric performance.

**Emergency Mode**  
**Photometric data based on minimum 80-50-20 reflectance values.**

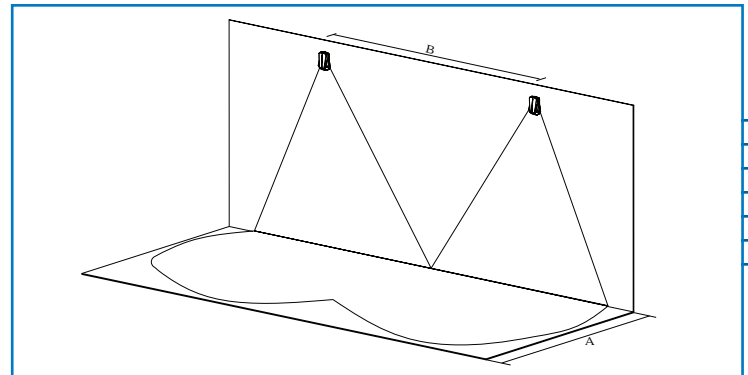
3D image lighting rendering of the Lux-Ray Series under emergency lighting conditions.



Spacing in emergency mode

Lamp type	Mounting height	Center-to-Center	
		A=3'	A=6'
2 X 6W	7.5'	B=28'	B=19'
	8.5'	B=25'	B=18'
2 X 10W	7.5'	B=30'	B=28'
	8.5'	B=34'	B=30'

Note: Photometric results shown are based on a simulation using the AGI32 software with a 1 foot-candle average and 0.1 foot-candle minimum with a 40:1 maximum ratio. Emergi-Lite assumes no responsibility for local requirements or specific project variables. This is a guideline to be used as a design aid, not a guarantee of any code compliances.



**The Lux-Ray Series is multi-functional and is offered in a variety of configurations for indoor and outdoor applications. All dual voltage input (120/277 Vac)**

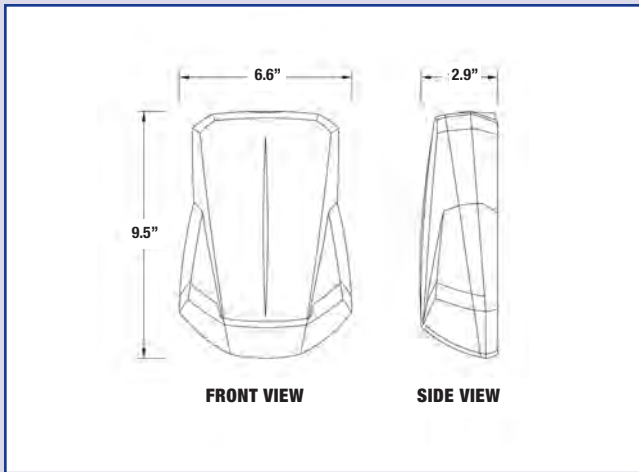
- LUX Remote head:**  
 Ideal for wet and cold locations. Operating temperature range: -40 °C to +60 °C (-40°F to +140°F).
- LUXL Standard interior package\*:**  
 Cost efficient solution equipped with Lead-Calcium battery.  
 Pulse plus battery charger  
 UL listed for operating temperature range: +20 °C to +30 °C (+68°F to + 86°F).
- LUXN Exterior package\*:**  
 Perfect solution for cold and wet exterior applications, equipped with NiMH\*\* battery.  
 Advanced diagnostic (non-audible)  
 UL listed for operating temperature range: -20 °C to +40 °C (-4°F to + 104°F)
- LUXN2 High output package:**  
 Ideal for applications where the photometrical performance of the 10W Xenon lamp is required.  
 Advanced diagnostic (non-audible)  
 Equipped with NiMH\*\* battery. UL listed for operating temperature range: +20 °C to +30 °C (+68°F to + 86°F).

\* LUXL and LUXN packages available with 6W lamps only.

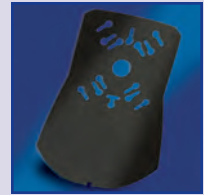
\*\* Nickel Metal Hydride: State-of-the art battery technology; lead-free and cadmium-free.



## Outline and Dimensions



Easy self-adhesive gasket, must be used in all exterior applications, but comes standard with all units.



Easily accessible, stand alone die-cast back plate with universal knock-out pattern.



The front cover includes the battery, reflector and electronics. The connection is done using an AC quick connect plug.



Vacuum metalized die-cast reflector.

The multiple conical section reflector was engineered to create a well defined path of light that will guide occupants to safety in case of an emergency.



Easy to replace Xenon lamps  
Unlike quartz halogen lamps, the Xenon lamps can be easily installed using your fingers.



LED Module with heat sink.



## Ordering Information

### Battery Unit

**EXAMPLE: OW LUXN ZU -D1**

COLOR	SERIES	LAMP WATTAGE*	OPTIONS
<b>OW</b> = off white <b>B</b> = black <b>BZ</b> = dark bronze <b>PG</b> = platinum gray  *Other colors available at a premium. Please contact your sales representative.	<b>LUXL</b> = 6V - 12W, lead calcium (+20°C to +30°C) Pulse Plus charger <b>LUXN</b> = 6V - 12W, NiMH (-20°C to +40°C) comes with advanced diagnostic non-audible (ADNA) <b>LUXN2</b> = 6V - 20W, NiMH (+20°C to +30°C) comes with advanced diagnostic non-audible (ADNA)	<b>ZU</b> = 6V-6W <b>ZV</b> = 6V-10W**  *Xenon wedge base T3-1/4 **Only available in LUXN2 Other lamps available	<b>-D1</b> = 5 min time delay* <b>-D2</b> = 10 min time delay* <b>-D3</b> = 15 min time delay* <b>-2</b> = Dual-mode lighting  *Time delay only available with ADNA, LUXN and LUXN2 units.  <b>Limited Warranty:</b> Lead-Calcium Battery= 3 years Nickel Metal Hydride Battery= 5 years

### Remote Unit

**EXAMPLE: LUX (ZU) -OW -2**

SERIES	LAMP WATTAGE	COLOR	OPTIONS
<b>LUX</b> = remote fixture (-40°C to +60°C)*  Outdoor remote *Option Dual-Mode Lighting: -40°C to +40°C	<b>(ZU)</b> = 6V-6W <b>(ZV)</b> = 6V-10W <b>(ZW)</b> = 12V-6W <b>(ZX)</b> = 12V-10W  Xenon wedge base T3-1/4	<b>-OW</b> = off white <b>-BK</b> = black <b>-BZ</b> = dark bronze <b>-PG</b> = platinum gray  *Other colors available at a premium. Please contact your sales representative.	<b>-2</b> = Dual-mode lighting

[www.emergi-lite.com](http://www.emergi-lite.com)