



Literay

Wall mount Remote Fixture

Nema 3R Rated, unique compact style that enhance nearly any building architecture and decor.

NEMA-4X RATED  Listed

General Information

The **Literay** wall mount remote unit offers a unique compact style that will harmonize with and enhance nearly any building architecture and decor. It responds perfectly to the code requirements for indicating, on the building exterior, where the path of egress is located inside the building. Streamlined construction details on the cast aluminum housing emit soft rays of light in addition to emergency lighting of the path of egress. The **Literay** unit is suitable for outdoor and indoor use, in a wide range of applications.

Standard Features

Housing: The premium die-cast aluminum housing is designed to withstand extreme weather conditions and yet provide aesthetically pleasing looks with a compact footprint. Ideal for damp, wet and cold location specifications, Literay provides a fully gasketed cover with the option of vandal-resistant screws. This unique wall sconce is available in four textured powder coat paint finishes; white, black, dark gray and bronze (optional finishes available for custom projects – consult the factory).

Diffuser: This specially manufactured polycarbonate diffuser completes the wall sconce decorative line. Literay's robust polycarbonate lens is the ideal choice for applications where impact- and tamper- resistant emergency lighting is specified.

Mounting: Literay is a remote wall mount unit supplied standard with a universal cross bar for mounting directly on to a four inch (4") octagonal box. The housing back plate comes standard with a gasket that provides a degree of protection to the wire connections therefore making this unit suitable for wet and damp locations. Making this unit NEMA 3R rated. Adjusting the lamps the heads can be adjusted in two ways: by rotating it, and by tilting it. Rotation: To rotate the heads, hold it and turn it either side. Tilt: To tilt the head, hold it and tilt upwards or downwards.

Light Source: Lamp Precise beam control is provided with two fully adjustable MR16 halogen lamps, secured in an attractive metal swivel assembly for maximum light output. Literay will provide an average of one-foot candle along the path of egress. Literay can also be used with the premium option of the high efficiency 5-Watt MR16 white LED lamp. IES photometric data files are available.

Optional Features

Description

Tamper Proof ScrewsVR
Unit can be offered with the option of
AC-only version, for non-emergency lighting(AC)
Clear lens-C
(1 med. base socket only (max. 60W), no lamp included, for non-emergency)

*For different color option see ordering information below

Electrical

POWER REQUIREMENTS:

Make the proper connections. The fixture is made for 6, 12 or 12Vdc (see lamp voltage on marking). Connect the lamp wires to the DC supply wires. This unit comes standard with two MR16 lamps, see legend for wattage selection.

Unit Warranty*

Entire unit (excluding lamps) carries a 3 years _____ full warranty.

*Subject to proper installation and maintenance.

Suggested Specification

Supply and install Emergi-lite LiteRay Series, remote emergency wall mount lighting fixtures, Model - _____.

The remote fixtures shall be fully gasketed and NEMA-3R rated. They are specifically designed for wet and cold weather locations. It responds perfectly to the code requirements for indicating, on the building exterior, where the path of egress is located inside the building.

The equipment back plate shall be of die-cast Aluminum, with a powder coat finish and is designed to mount directly on a typical, 4-inch octagonal electrical junction box. The lens cover shall be constructed of heavy-duty vandal-resistant polycarbonate, equipped, with stainless steel screws.

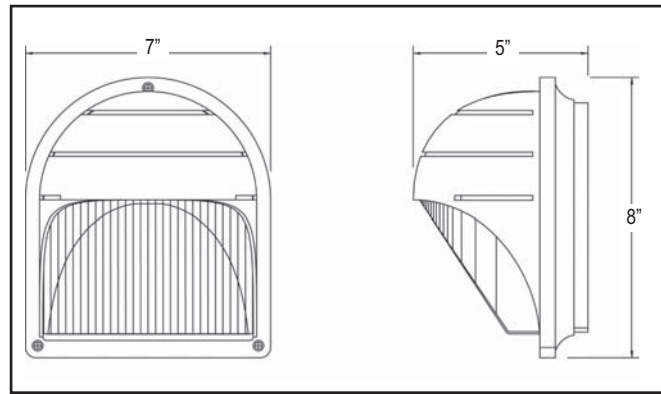
Tamper proof screws can be ordered as an option separately. (See Options)

The remote fixture shall be UL Listed for wet and damp locations the emergency lights shall be fully adjustable and equipped with an innovative swivel system, allowing for easy rotation in order to provide for an illumination in any direction of the path of egress. The heads shall be equipped with high efficiency MR16 halogen lamp(s) of ___V___W. These remote fixtures shall provide illumination in emergency operation and receive their DC power according to the load provided by the Lightalarms battery unit model-_____.

The duration of the DC backup shall be _____ hours, according to the Building Code having jurisdiction in the geographical location in which the remote fixture will be installed.

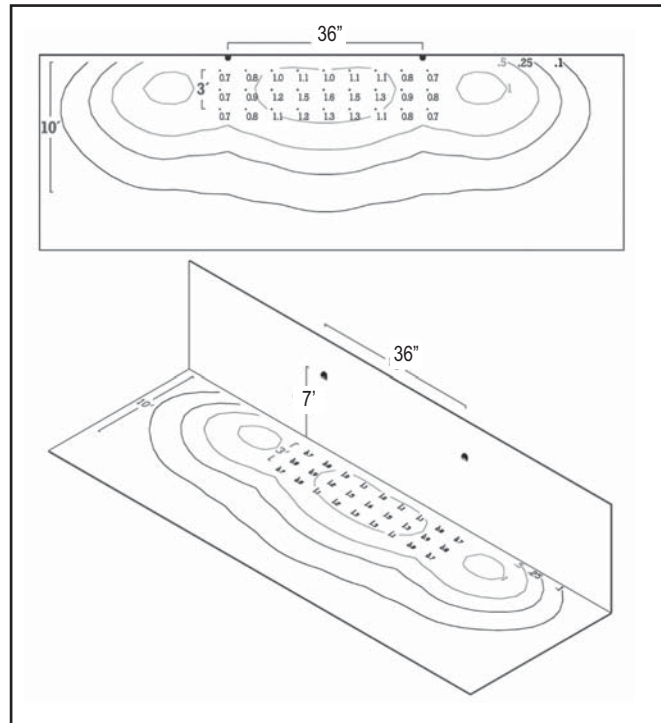
Outline and Dimensions

Dimensions are approximate and subject to change without notice.



Photometrics

ISO curve on a point-by-point grid of 2 Saf-T-Ray luminaries



EXAMPLE: LITE-2(MJ)-WT

How to Order

Series	# of lamps	Lamp Types / Wattage*	Colour	Option
LITE = Exterior remote	-2 = 2 lamps (standard) -1 = 1 lamp (AC only)	(MI) = MR16, 6V - 6 watts (MJ) = MR16, 6V - 10 watts (MK) = MR16, 12V - 12 watts (MS) = MR16, 24V - 12 watts (MD) = MR16, 24V - 20 watts (MA) = MR16, 12V - 20 watts (LG) = L.E.D., 12V - 4 watts (AC) = 1 med. base socket only (max. 60 watts), no lamp included, for non-emergency	-WT = White -BK = Black -DG = Dark Gray -DZ = Dark Bronze	-VR = Vandal resistant screws -C = Clear lens