

**EF150**



**EF150T**



**EF150D**

# Distinction Series

## Surface Designer Series



The Distinction Series emergency fixture have been specially built to meet the needs of contemporary decor professionals. Take a look at these fixtures and discover for yourself an entirely new design vocabulary of emergency

### EF150

Single compact adjustable decorative lighting head  
 Dimensions: 4.48" diameter base, 5.2"height

### EF150D-B

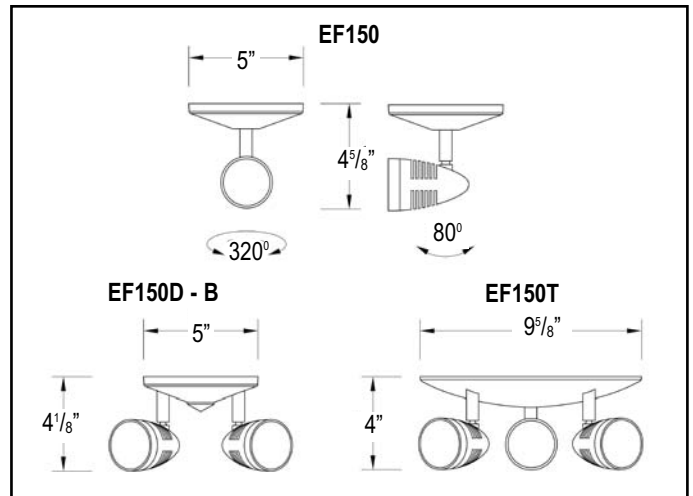
Double compact adjustable decorative lighting heads  
 Dimensions: 4.48" diameter base, 4.0"height

### EF150T

Triple compact adjustable decorative lighting heads  
 Dimensions: 11.0" diameter base, 5.2"height

### Outline and Dimensions

Dimensions are approximate and subject to change without notice.



### How to Order MODEL EXAMPLE

Series	# of Heads	Lamp Types / Wattage	Colour
EF150	Blank = Single D = Double T = Triple	(MA) = 12V - 20 watts (MB) = 12V - 35 watts (MC) = 12V - 50 watts (MK) = 12V - 12 watts (MJ) = 6V - 10 watts	Blank = White -BK = Black