



Survive All SVX-HZ Series

Hazardous Location exit sign

Class I, Division 2 Compliant Exit Sign

Light Source:

- LED, Light Emitting Diodes (RED/GREEN)

Sealed Maintenance-Free Battery

- Nickel Cadmium



Applications:

• Manufacturing Plants • Chemical Plants • Paint Shops • Moisture, Dirt or Dust Concerns • Oil Refineries • Wet or Corrosive Conditions • Gas Stations

General Information

The **SVX-HZ Series** of Exit signs has been designed specifically for installation in hazardous locations and other high abuse, industrial environments. Weather resistant, high impacts, vibrations and variations in temperature, the **SVX-HZ Series** of Exits is ideally suited for areas with the risk of presence of flammable gases, vapors or liquids able to create an explosive gas atmosphere.

- Evaluated for hazardous locations: Class I Division 2, Groups A, B, C and D
- Temperature Code: T6 (maximum 85°C)
- Suitable for cold-weather:
 - -20°C (self-powered with "CW" option)
 - -40°C (AC only)
- 120 to 277Vac two-wire universal AC-input
- Energy Efficient: consumes less 2.5 Watts in any configuration
- Sealed faceplate constructed of heavy-duty, vandal-resistant polycarbonate
- Tamper-resistant, hermetically sealed magnetic test switch
- Self-test / self-diagnostic circuitry is standard on self-powered models
- Comes standard with industrial-grade, die-cast aluminum junctional box

Diagnostic/Self-Test Feature (Standard)

Diagnostic / Self Test circuitry is standard on all self-powered models. This circuitry is programmed to ensure the exits readiness and reliability by continuously monitoring every critical function of the unit. If a problem occurs, a single "Service Required" indicator illuminates immediately. A detailed diagnostic display is located on the inside of the exit sign, out of sight from the general public. The detailed diagnostic display inside the exit sign will further indicate the nature of the fault. The self test will test the unit for the minimum 30 seconds each month, 30 minutes in every 60 days and 90 minutes annually.

Standard Features

Reliability

The Survive All SVX-HZ Series has a 5-year full warranty.

Unit Data

Will not dent, peel, rust or corrode. The sealed faceplate is constructed of heavy duty, vandal resistant polycarbonate and features an evenly illuminated legend. The fully gasketed faceplate is fastened with stainless steel tamper-resistant screws.

Magnetically operated test switch. Models can be wall or ceiling mounted. Legend and chevron complies with UL and CSA requirements.

Survive-All SVX-HZ Series signs are unaffected by the vibrations, ambient temperature swings and typical power surges detrimental to standard exit light sources.

Charger

Fully automatic pulse charger offers 120/277 Vac, 60 Hz., 0.3/0.08 Amp., current limiting, temperature compensated, short circuit proof, low voltage battery disconnect, brownout protection and standard solid state transfer features.

High Performance Circuitry

- Self Contained... Batteries & circuitry located inside the exit housing.
 - Battery-operated units come standard with self-testing and diagnostic circuitry
 - Fully automatic charger is solid state.
 - AC, AC/DC and Self-Powered Models have universal, 2-wire input 120V to 277Vac 50/60 Hz.
 - Sealed, maintenance-free Nickel-Cadmium battery provides 90 minutes of emergency operation.
 - Batteries recharge per UL924 requirements.
 - Each unit comes standard with one tamper-proof driver bit.
- To order extra: part #690.0454

Suggested Specification

Supply and install Emergi-lite SVX-HZ Series LED exit signs. The equipment shall operate with universal two-wire AC input voltage from 120Vac to 277Vac at less than 2.5 Watts for single and double face signs. Designed specifically for hostile environments, the equipment frame shall be of industrial grade polyvinyl chloride with a gasket around lenses and canopy. The faceplate(s) shall be constructed of heavy-duty vandal-resistant polycarbonate and feature an even illuminated legend. The light source shall be light emitting diodes (LED). Red LED technology shall be ALINGAP. An LED-sensitive diffuser shall be mounted behind the legend to provide the 6" high by 3/4" stroke letters with even illumination.

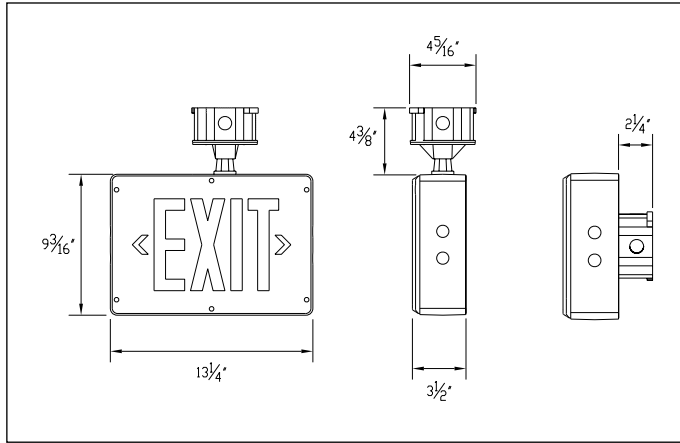
The equipment shall be evaluated to the UL 844 standard for hazardous locations: Class I Division 2 Groups A, B, C and D with a temperature code T6 (Maximum 85°C). The equipment shall be designed specifically for high abuse areas, wet location, and cold weather (-20°C) applications and shall be compliant NEMA-4X. The self-powered model shall stay illuminated during emergency operation for at least 90 minutes upon AC failure and shall include a magnetic test switch and self-testing / self-diagnostic functions. The self test will test the unit for 30 seconds each month for the first 5 months, 30 minutes in the 6th months, 30 seconds in months 7 through 11 and 90 minutes in the 12th month. A "Service required" lamp shall be located near the test switch and flash when a fault is detected. A two-LED diagnostic display shall be located inside the equipment and shall identify the eventual source of failure (battery, charger circuitry, or LED lamps). The exit sign shall be evaluated to UL 924 and UL 1598 Standards. The exit sign shall be Emergi-lite – _____.

Optional Features

Accessories (order as a separate item) Add Suffix
 Tamper-Proof Bitpart # 690.0454-E

Outline and Dimensions

Dimensions are approximate and subject to change.



Unit Warranty*

Unit carries a 5-year Full Warranty.

Battery Warranty*

Sealed Nickel-Cadmium Battery has a 10 year life expectancy and carries a 5-year Full Warranty, plus a 5-year pro rata warranty.

*Subject to proper installation and maintenance

Power Consumption

Model	AC Specs		DC Specs	
AC-only red	120 to 277Vac	Less than 2 W	-	-
AC-only green	120 to 277Vac	Less than 1.5 W	-	-
Self-powered red	120 to 277Vac	Less than 2 W	Ni-Cd battery	Min. 90 minutes
Self-powered green	120 to 277Vac	Less than 2.5 W	Ni-Cd battery	Min. 90 minutes

How To Order

Example: GGSVXNHZ2R-D

GG	SVXNHZ	2	R	-D
Colour of Body/Face GG= gray/gray	Series SVXHZ= AC only SVXNHZ= self-powered NiCad	Face(s) 1= single (Ceiling/Wall Mount) 2= double (Ceiling Mount only)	Legend R= red G= green	Diagnostic Blank= standard D= diagnostic (self-powered only) NEX= Nexus [®] interface