

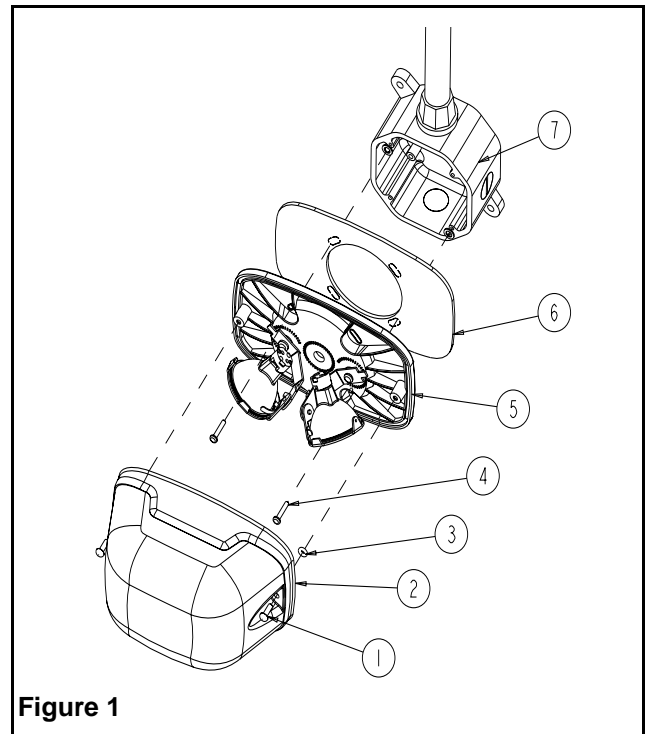
## EF4%- Remote Heads

### IMPORTANT SAFEGUARDS

When using electrical equipment, basic safety precautions should always be followed including the following:

### READ AND FOLLOW ALL SAFETY INSTRUCTIONS.

1. Make sure the area is NON-HAZARDOUS before installing or servicing the unit.
2. Turn off electrical power before and during installation and maintenance.
3. Before opening, turn off electrical power and wait until the unit is cool.
4. Do not install where the marked operating temperatures (T-Code) exceed the ignition temperature of the hazardous atmosphere.
5. Do not operate in ambient temperatures above those indicated on the rating labels.
6. Keep tightly closed when in operation.
7. Do not use outdoors.
8. Do not mount near gas or electric heaters.
9. Use caution when handling batteries. Battery acid can cause burns to the skin and eyes. If acid is spilled on the skin or eyes, flush acid with fresh water and contact a physician immediately. Avoid possible shorting.
10. Equipment should be mounted in locations and at heights where it will not readily be subjected to tampering by unauthorized personnel.
11. The use of accessory equipment not recommended by the manufacturer may cause an unsafe condition.
12. Do not use this equipment for other than intended use.
13. Servicing of this equipment should be performed by qualified service personnel.



**Figure 1**

#### Part List

- |                            |  |
|----------------------------|--|
| 1. Cover screw (2)         | 5. Back plate                            |
| 2. Clear cover             | 6. Gasket                                |
| 3. O-ring (2)              | 7. Junction box (provided with the unit) |
| 4. Junction box screws (2) |  |

## SAVE THESE INSTRUCTIONS

### Installation Instructions.

1. Turn off unswitched power.
  - a. Remove the clear cover (2).
  - b. Disassemble the backplate (5) from the junction box (7) by removing the 2 junction box screws (4).
  - c. Install the junction box on the wall (7).
  - d. Make the proper connections; see lamp voltage marking on the unit. Connect the lamp wires to the emergency circuit using wire nuts provided with the unit. For double head fixtures, lamps should be connected in parallel, not in series. For 120V units, connect the ground(green wire).
  - e. Fasten the back plate to the junction box.
  - f. Adjust heads.
  - g. Before installing the cover, make sure there is no particules on the gaskets, this can affect sealing. Secure the cover to the back plate with the screws provided. Make sure the o-ring (3) are installed inside the cover, as shown of figure 1.
  - h. Turn on power and check the operation of you lighting fixture.

### Lamp replacement

Refer to the relamping label located on the lamp holder for the recommended voltage and wattage.

Do not exceed recommended voltage or wattage.