



Models EF11X / EF11DX

Emergency Lighting Fixtures for Remote Surface Mounting

Single or double lighting head with fully adjustable swivel.

General Information

UL Listed, remote lighting fixture for hazardous locations: Class 1, Division 2, Group A, B, C and D. Single or double lighting head with fully adjustable swivel; all thermoplastic construction with gasketed aluminum canopy and junction box. Tool-less aiming swivel; no more need for screwdriver.



Finish: Black plastic housing with gray junction box.

Mounting: Junctional box provided for wall mount installation. Conduit entry 1/2" NPT.

Lamps: All lamps must be specified in the part number when ordering.

EF11X series may use:

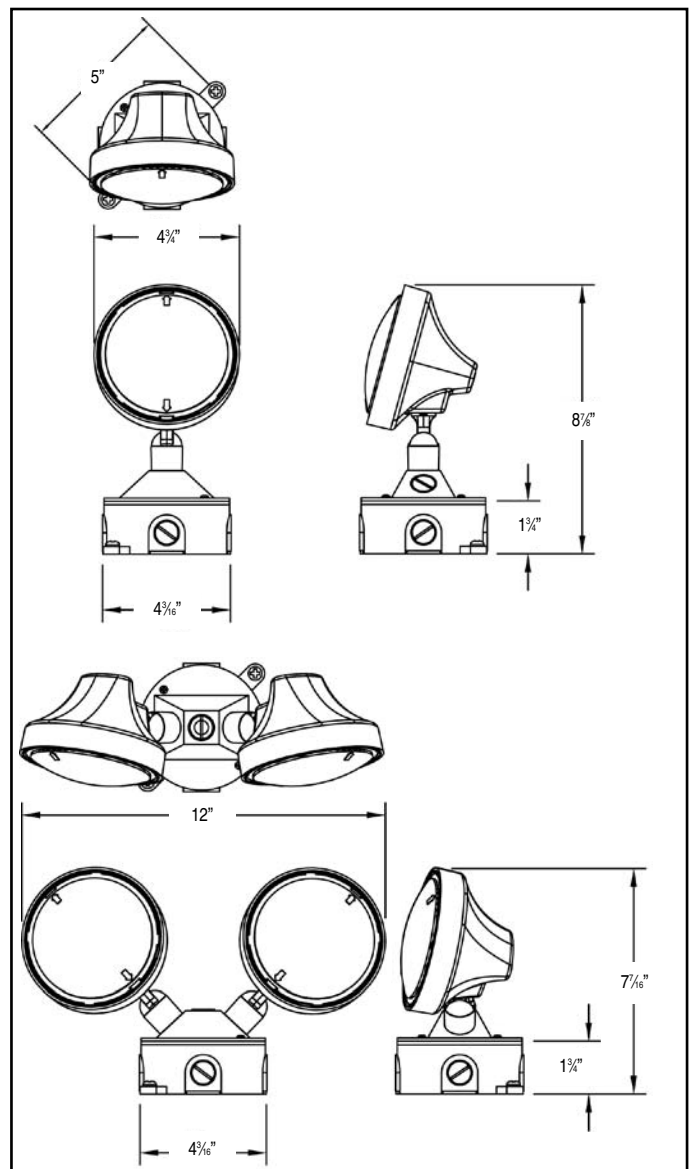
- Sealed beam halogen lamps
- PAR36 sealed beam, 6 volt, 12 watts or 12 volt, 12 watts

Standard Features

Lamp type(s), voltage and maximum wattage available for fixture are shown under lamp description. Determine lamp type, voltage and wattage required for your application, then select lamp from Lamp Chart in the Charts & Diagrams section. Do not exceed fixture wattage rating.

Include lamp suffix and voltage as suffix to model number. **VOLTAGE MUST BE STATED.**

Outline and Dimensions



How to Order MODEL EXAMPLE

Series	Lamp Types / Wattage	Colour
EF11X = Single	(XB) = 6V - 12 watts (XG) = 12V - 12 watts	-BK = Black
EF11DX = Double	(XD) = 6V - 12 watts (XG) = 12V - 12 watts	