

EFEP Series Explosion-Proof Lighting Fixtures



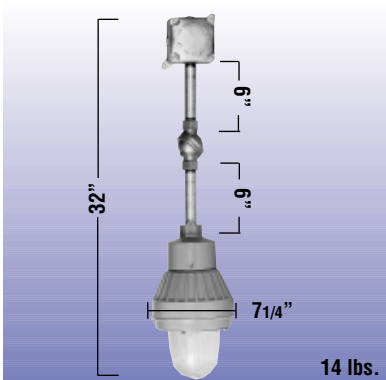
EFEPW = Wall Bracket Mount



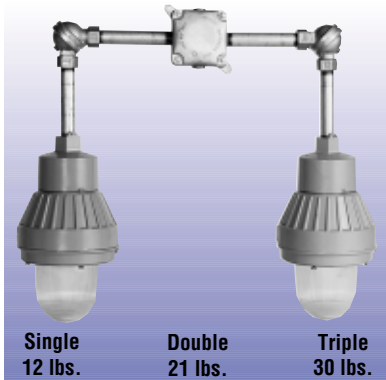
EFEPC = Ceiling Mount



EFEPF = Pendant Mount with hanger box & pendant



EFEP1 = Single EFEP2 = Double EFEP3 = Triple



The **EFEP Series** is designed for mounting in locations that are remote from their power source. They are offered with 6, 12 and 24 volt lamps for DC operation or 120 volt AC fixtures.

Applications - Listed for:

- Class I, Groups C & D, Division 1 & 2 (300W PS-25 max)
- Class II, Groups E, F & G, Division 1 & 2 (60W max)
- Class II, Groups E, & F, Division 1 & 2 (150W max)
- Class III, Division 1 & 2 (150 watt max)
- U.L. listed for use in Paint Spray Areas (75W max)
- Suitable for Wet Locations
- Complies with NEC, OSHA and NEMA specifications for all above Classes and Groups

General Information

EFEP Series units are designed for mounting in locations that are remote from their power source*.

**If power source is installed outside hazardous areas, the length of connection wires should be carefully considered to assure that voltage of emergency power unit and wire size of connecting circuit are adequate to offset voltage drop in circuit.*

All EFEP fixtures are manufactured of heavy cast aluminum with an epoxy finish and a pyrex* lens. All attached hardware has been designed for explosion-proof application. EFEPF and EFEP1, 2 and 3 fixtures include elbows swivels, conduit extension pipe (6 inch increments), and combination explosion-proof junction box/mounting plate.

*Registered trademark of Corning Glass

For DC or AC Operation

Dimensions are approximate and subject to change

Optional Features

| Description | Add Suffix |
|--|------------|
| Guard | GXP |
| <small>(One-piece aluminum casting construction, attaches to globe holder ring by four screws)</small> | |
| Reflectors (dome) | RD |
| Reflectors (angle) | RA |
| <small>(Highly reflective white finish inside and out. Attaches to globe holder ring by four screws)</small> | |

Accessories

Incandescent Lamp Adapter "MSA"

(Includes DC lamp plus adapter for medium Edison screw base socket. This device converts any incandescent fixture into an emergency fixture.)

How To Order Lamp Adapter: **6** - **MSA** - **IC**
 DC Voltage Product Code Lamp Suffix

Lamp Selection Chart

| Lamp Type | Voltage | Watts | Replacement # | Suffix |
|--|---------|-------|---------------|--------|
| High Intensity Tungsten (HIT) Double Contact Bayonet Base (Optional) | 6 V | 25 W | 137 | IC |
| | 12 V | 25 W | 140 | IG |
| | 24 V | 25 W | 143 | IK |
| Halogen (Optional) | 6 V | 12 W | 786 | HD |
| | 12 V | 12 W | 783 | HG |
| Medium Screw Base Exit Lamp (Standard) | 6 V | 17 W | 17R20 | XX6 |
| | 12 V | 25 W | 25A-12 | XX12 |
| | 24 V | 25 W | 143A | XX24 |
| | 120 V | 25 W | A19 | AC |

How To Order (example)

For standard units without options only order DC volt, Series, Mounting

6 - **EFEP** - **P** - ***(IC)** - **GXP** - ***6**

Options are added to units by listing suffix at end of model #

DC Series Mounting Lamp Option Option Pendant
 Voltage P = Pendant 6V 25W (HIT) Guard Length

Includes standard lamp *see lamp data sheet in lighting fixture section for other lamp wattages.

Transfer Circuit (not designed for hazardous areas)

- TS option is required for remote explosion-proof fixtures that are NORMALLY ON as constant operation fixtures and signs. The TS option is available for 25, 50, 75, or 100 watt loads. Recessed Transfer Panel Boxes are also available. Order Model TSR
- To make proper TS selection, the following information is required:
- 1) DC output voltage of emergency lighting system MUST be matched to DC input of TS load.
 - 2) Number of fixtures to be connected to TS circuit.
 - 3) Total wattage of fixtures to be connected to TS circuit.
 - 4) Use only medium screw base lamps(XX) Series. Halogen or HIT lamps are not for NORMALLY ON lighting.

Input Voltage: From AC – 120 Volt, 60Hz, 1 phase (other available).
 From DC – 12, 24, 32, or 120 Volt (select).

Out put Voltage: Must be identical to DC Input Voltage
Wattage: TS oversized 10-20% greater than total connected load.

How To Order TS option: **120** - **6** - **TS** - **50**
 AC DC Model Watts
 Voltage Voltage

**Transfer circuit must be remotely mounted, outside of hazardous area.*