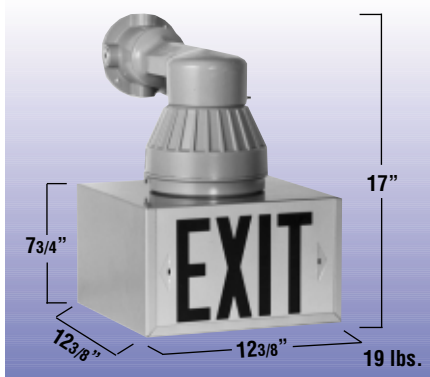


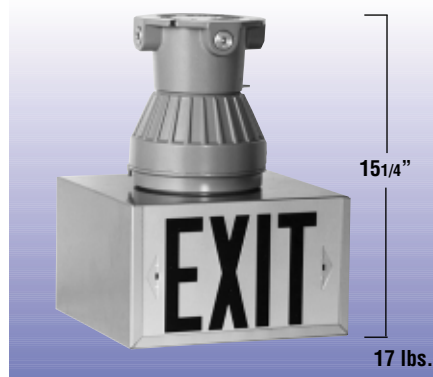
Explosion-Proof Exit Fixtures **EFP Series**

EFPW = Wall Bracket Mount

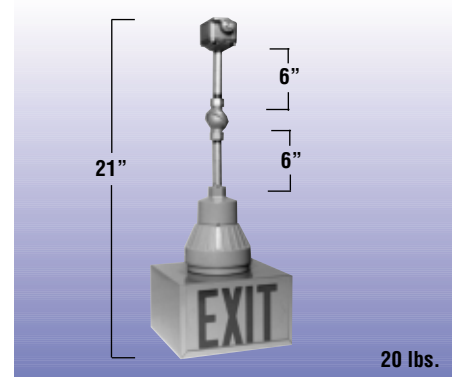


For DC or AC Operation

EFPXC = Ceiling Mount



EFPXP = Adjustable Pendant Mount



Dimensions are Approximate and Subject to change

The **EFP Series** is designed for mounting in locations that are remote from their power source. They are offered with 6, 12 and 24 volt lamps for DC operation or 120 volt AC fixtures.

Applications - Meet the requirements of:

- Class I, Groups C & D, Division 1 & 2 (300W PS-25 max)
- Class II, Groups E, F & G, Division 1 & 2 (60W max)
- Class II, Groups E & F, Division 1 & 2 (150W max)
- Class III, Division 1 & 2 (150W max)
- U.L. listed for use in Paint Spray Areas (75W max)
- Suitable for Wet Locations
- Complies with NEC, OSHA and NEMA specifications for all above Classes and Groups

General Information

EFP Series units are designed for mounting in locations that are remote from their power source*.

*If power source is installed outside hazardous areas, the length of connection wires should be carefully considered to assure that voltage of emergency power unit and wire size of connecting circuit are adequate to offset voltage drop in circuit.

Exits shown above are explosion-proof fixtures of heavy cast aluminum construction with pyrex* lenses. Exit housing is 18 gauge fabricated steel box with a baked enamel finish. Stenciled exit lettering is available on one or two faces. All EFP Series have extra large downlight opening.

*Registered trademark of Corning Glass

Optional Features

Description

Open face panels with special symbols or legends.....Contact Factory
 3 sided exit face triangle3F
 (Unbreakable 3 sided white acrylic triangle with easy mounting to regular explosion-proof lighting fixture. Open design permits full air circulation for cool operation and provides excellent down light. 6" high EXIT letters with red 3/4" stroke on white background meets all safety specification. Directional Arrows included).

Add Suffix

Accessories

Incandescent Lamp Adapter "MSA"

(Includes DC lamp plus adapter for medium Edison screw base socket. This device converts any incandescent fixture into an emergency fixture.)

How To Order Lamp Adapter: 6 - MSA - IC
 DC Voltage Product Code Lamp Suffix

Lamp Selection Chart

Lamp Type	Voltage	Watts	Replacement #	Suffix
High Intensity Tungsten (HIT) Double Contact Bayonet Base (Optional)	6 V	25 W	137	IC
	12 V	25 W	140	IG
	24 V	25 W	143	IK
Halogen (Optional)	6 V	12 W	786	HD
	12 V	12 W	783	HG
Medium Screw Base Exit Lamp (Standard)	6 V	17 W	17R20	XX6
	12 V	25 W	25A-12	XX12
	24 V	25 W	143A	XX24
	120 V	25 W	A19	AC

How To Order (example)

For standard units without options only order DC volt, Series, Mounting, and Exit Faces, Faceplate Color

Options are added to units by listing suffix at end of model #

6 - EFP - P - *(IC) - 2 - R - *6
 DC Voltage Series Mounting P = Pendant Lamp Option # of Face Pendant
 6V 25W (HIT) Faces Color Length

Includes standard lamp
 *6" pendant supplied if not otherwise specified
 Number of Faces available 1 or 2
 Colors Available R=Red G=Green

*see lamp data sheet in lighting fixture section for other lamp wattages.

Transfer Circuit (not designed for hazardous areas)

TS option is required for remote explosion-proof fixtures that are NORMALLY ON as constant operation fixtures and signs. The TS option is available for 25, 50, 75, or 100 watt loads. Recessed Transfer Panel Boxes are also available. Order Model TSR

To make proper TS selection, the following information is required:

- 1) DC output voltage of emergency lighting system MUST be matched to DC input of TS load.
- 2) Number of fixtures to be connected to TS circuit.
- 3) Total wattage of fixtures to be connected to TS circuit.
- 4) Use only medium screw base lamps(XX) Series. Halogen or HIT lamps are not for NORMALLY ON lighting.

Input Voltage: From AC – 120 Volt, 60Hz, 1 phase (other available).
 From DC – 12, 24, 32, or 120 Volt (select).

Out put Voltage: Must be identical to DC Input Voltage

Wattage: TS oversized 10-20% greater than total connected load.

How To Order TS option: 120 - 6 - TS - 50
 AC Voltage DC Voltage Model Watts

*Transfer circuit must be remotely mounted, outside of hazardous area.