

The **ELX-MRS Series** is perfect for use where style and design is required in an economical package. Long Life LED's are used in all exit sign models. NiCad batteries are utilized in the self-powered exit Signs. The combo units six volt, MR16, lamps are powered by a maintenance-free, Lead-Calcium battery to provide a clean, adequate amount of light. The snap-together thermoplastic housing facilitates quick assembly making the ELX-MRS the most affordable sign on the market.

UL Listed

Complies with NEC, Life Safety Code and OSHA. Damp location listing is standard on all models.

Light Source (exit)

- LED, Light Emitting Diodes, red LED's of ALINGAP technology

Sealed maintenance-free batteries

- Lead-Calcium
- Nickel-Cadmium

Standard Features

- Rugged thermoplastic construction
- Even illumination for excellent legibility.
- Snap-together design for quick and easy installation
- Universal mounting, complete with 2 faces, backplate, and canopy
- Replaceable knockout directional chevrons
- Energy efficient, long-life LED's (red or green)
- Listed to UL Standard 924

Emergency Models (exits)

- Replaceable, sealed Nickel-Cadmium battery
- Provides a minimum 90 minutes of continuous emergency illumination
- Energy star compliant
- Batteries recharge per UL924 specifications
- All exit sign models consume less than 5 watts

Emergency Models (combination units)

- 6 volt, sealed, maintenance-free Lead-Calcium battery
- Fully adjustable, glare-free, 6 volt MR16 lamps

Charger

- 120/277VAC input
- Temperature compensated
- Short circuit protected
- Push to test switch
- Fully automatic charger
- Brown out protection
- Low voltage battery disconnect
- AC pilot light

ELX-MRS Series Offers Three Models

AC-only exit signs, red or green
Self-powered exit signs, red or green
Self-powered combo units, red or green

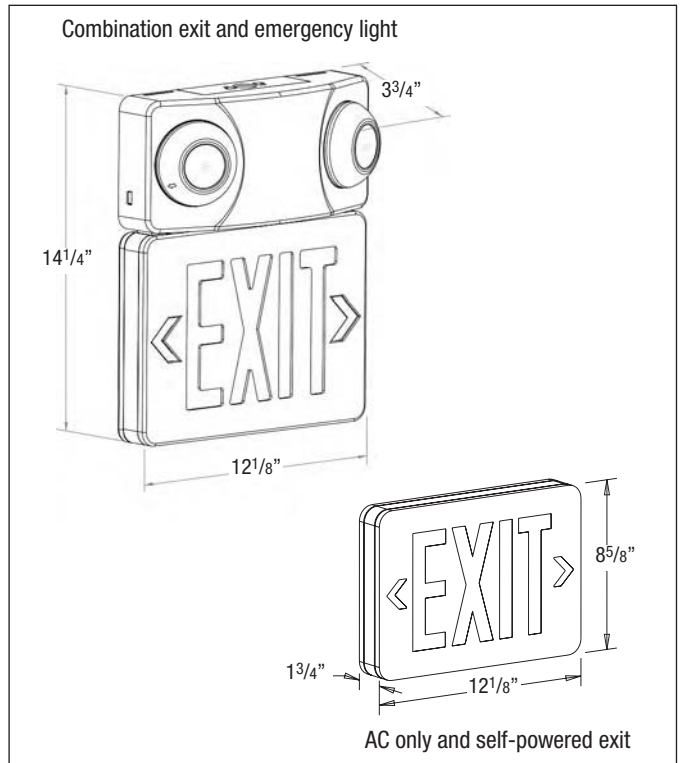
Accessories (order as a separate item)

Description	Add Suffix
Replacement MR16 lamp, 6V 5W	580.0072-E
Wire Guard (exit only)	
Wall mount	WG1-E
Ceiling or end mount.....	WG5-E
Wire Guard (combo)	
Wall mount	WG6-E



Outline and Dimensions

Dimensions are approximate and subject to change



How To Order (example)

ELXN400	R	2MRS	B
Series	Stencil Face	Light Heads**	Colour
ELX400 = AC-Only	R = Red	2MRS = 2 MR16 lamps	B = Black
ELXN400 = Self-powered*	G = Green	6V 5W	

* Combo units only available as self-powered.

** Light heads only applicable to combo units.