



## 6 or 12 Volts Emergency Unit Sealed Maintenance-Free Lead Calcium or Nickel-Cadmium Battery UL Listed

The **Emergi-Lite JC Series** emergency battery unit incorporates performance and labor-saving features, normally found only in higher capacity units, in a economical compact housing design. The **JC Series** is ideally suited for commercial applications where space, performance and ease of installation are required.

### Standard Features

#### Reliability

The **JC Series** has a three year full warranty (excluding lamps and fuses).

#### Unit Data

Compact steel cabinet with corrosion-resistant undercoating – standard color is “mist white”, black available as an option. The **JC Series** has rear keyhole mounting slots and is designed to mount directly to any standard 4” junction box.

#### Lamp

Standard unit furnished with two EF10 heads constructed of impact resistant, flame retardant thermoplastic heads complete with 6-watt, MR16 halogen lamps. Also available up to 20W(MW) high output illumination.

#### Solid State Charger

- Automatic, temperature compensated type charger.
- High capacity, automatic, dust-tight instantaneous transfer relay.
- Low voltage disconnect prevents over discharge of battery. Automatic brownout protection is provided.
- Labor saving AC line latch prevents battery discharge during installation to a non-energized circuit.
- Fused output circuit.
- Optional Advanced Diagnostics comes with a micro controller based pulse type charger.

**Power Requirements:** 120/277Vac 60Hz, 0.3/0.15 Amp.

### Optional Features

Unit color in black.....-B

Advanced Diagnostics .....-AD

Advanced Diagnostics, Non-Audible.....-ADNA

### Power Consumption

Model #	AC Input	Maximum	
		Input Current	Input Power
JC	120 Vac	0.20 A	24 W
	277 Vac	0.08 A	24 W
12JC	120 Vac	0.24 A	30 W
	277 Vac	0.12 A	30 W

### How To Order (example)

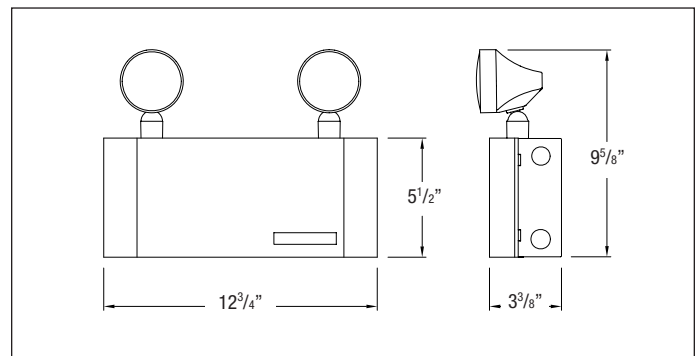
Color	JCM18	-2	10	MI	-AD
Blank= Off white enamel finish B= Black enamel finish	D.C. Voltage/Capacity JCM18= 6V - 18W, lead calcium JCM20= 6V - 20W, lead calcium JCM27= 6V - 27W, lead calcium JCM30= 6V - 30W, lead calcium JCM36= 6V - 36W, lead calcium JCM40= 6V - 40W, lead calcium* 12JCM36= 12V - 36W, lead calcium 12JCM40= 12V - 40W, lead calcium JCC20= 6V - 20W, Ni-cad 12JCC36= 12V - 36W, Ni-cad 12JCC50= 12V - 50W, Ni-cad	Number of heads -0= no heads -1= One Head -2= Two Heads	Head Style 10= EF10 mini plastic MR16	Lamp Type MH= 6V5W MI= 6V6W MJ= 6V10W MK= 12V12W MA= 12V20W MW= 12V20W High Output	Options -AD= advanced diagnostics -ADNA= advanced diagnostics
	* Not available with AD/ADNA Option				

## 6 or 12 Volts Emergency Unit **JC Series**



### Outline and Dimensions

Dimensions are approximate and subject to change



### Unit Rating

Furnished standard with two MR16 6V6W

Battery Type	Volts	Model #	Watts to 87.5% of rated battery voltage*				
			1 1/2 hrs.	2 hrs.	3 hrs.	4 hrs.	
Lead-Calcium	6	JCM18	18	12	-	-	
		JCM20	20	15	12	-	
		JCM27	27	18	15	-	
		JCM30	30	20	18	-	
		JCM36	36	27	20	12	
		JCM40	40	30	24	15	
		12JCM36	36	27	20	12	
Nickel-Cadmium	12	12JCM40	40	30	24	15	
		6	JCC20	20	18	12	-
		12	12JCC36	36	24	15	12
		12	12JCC50	50	36	24	18

\* National Electrical Code Specification