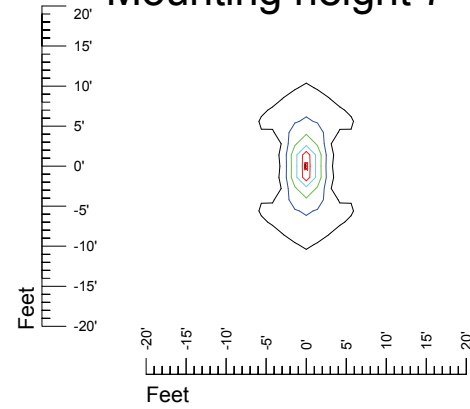


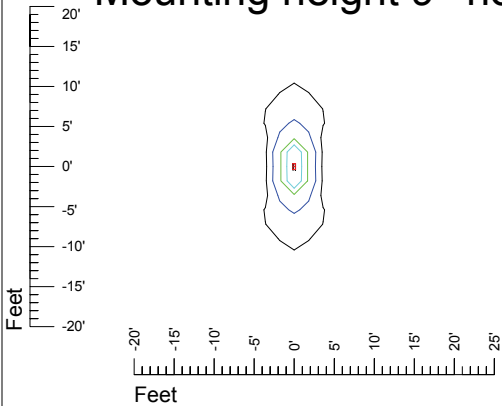
Import the proper Iso-curves into your CAD drawing IES Photometric files D792 Iso curves in footcandles unit: feet

- 0.1 fc
- 0.25 fc
- 0.5 fc
- 1.0 fc
- 2.0 fc

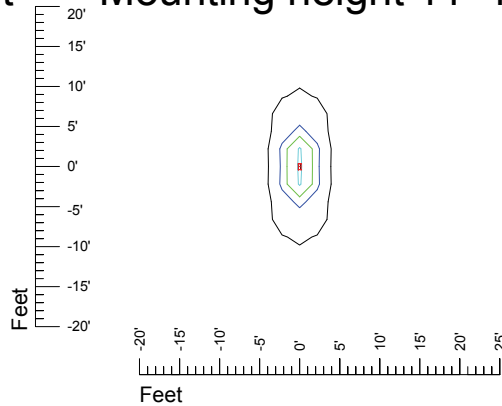
Mounting height 7' no tilt



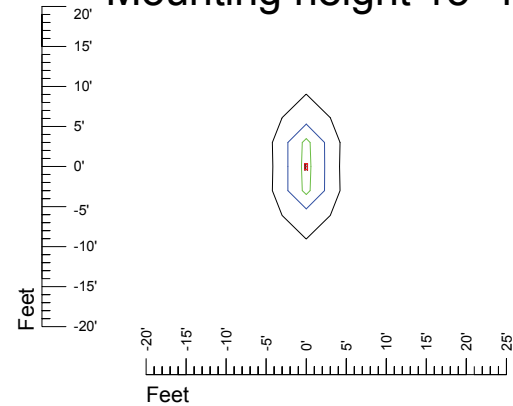
Mounting height 9' no tilt



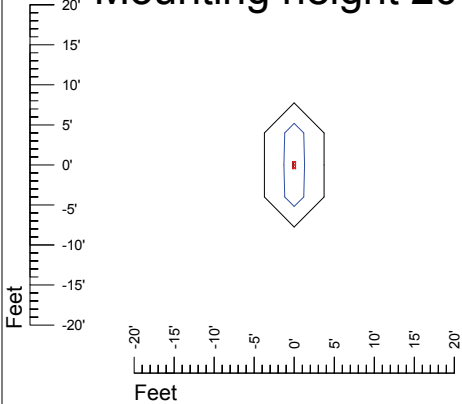
Mounting height 11' no tilt



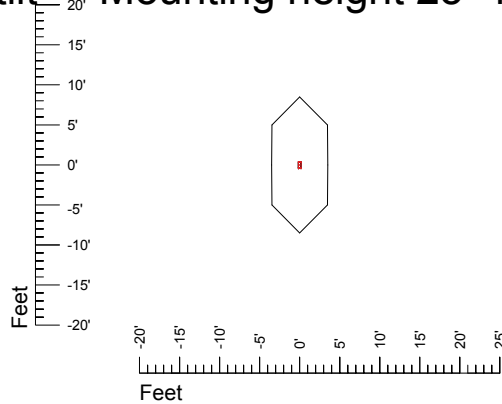
Mounting height 15' no tilt



Mounting height 20' no tilt



Mounting height 25' no tilt



Mounting height 30' no tilt

