

The **TS Series** is architecturally designed for unobtrusive use in T-Bar ceilings. The off-white, fully recessed housing harmonizes with ceiling designs.

UL Listed

Complies with NEC, Life Safety Code and OSHA. Approved use in the Commonwealth of Pennsylvania and New York City.

Sealed Maintenance-Free Batteries

- Nickel-Cadmium
- Lead-Calcium
- Long Life Lead

Standard Features

Reliability

The TS Series comes complete with a 3-year full warranty, excluding lamps, pilot lights and fuses.

Unit Data

Constructed of 20-gauge steel housing with off-white baked enamel finish. A removable cover on the back box allows for ease of installation and full access to the battery and charger. Unit comes standard with two (2) off-white EF-18 heads with one 9-watt wedge based lamp per head. The TS Series has provisions for mounting up to three heads on cabinet.

PulsePlus Charger

PulsePlus circuitry offers 120/277 volt input 60 Hz., 0.3/0.15 Amps (other inputs available), fused output circuit(s), dual diagnostic indicator lights, temperature compensated charger, sealed relay, low voltage battery disconnect, brownout protection and lockout (automatic battery connect).

Optional Features

Description

Black..... B

Add Prefix

Description

Ammeter or Voltmeter (Choose only one)..... -A* or -V*

Add Suffix

Advanced Diagnostics (Lead-Calcium only)..... -AD

Advanced Diagnostics, non-audible..... -ADNA

Time Delay (Specify 5, 10 or 15 minutes)..... -D1, D2, D3**

New York City (12 Watt Lamps)..... -NYC

EF-150 Decorative Heads (white)..... 150

EF-9 Lighting Heads (two 9-watt heads)..... 29

EF-18 Lighting Heads..... 18

*Not available with diagnostics options.

**Standard 15 minutes with AD/ADNA option.

**Not required when using the AD/ADNA option.

Accessories (order as a separate item)

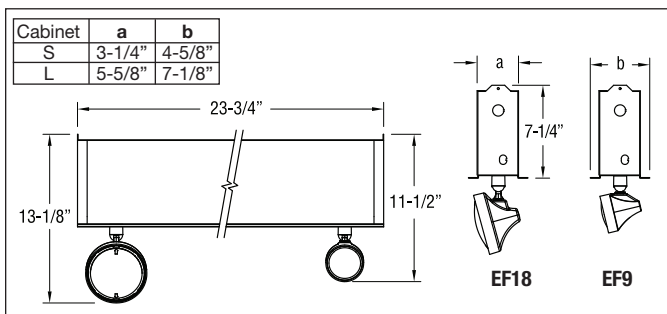
Remote Test Switch (metal face plate)..... RTS

Remote Text Switch (plastic face plate)..... RTS-1

T-Bar Hanger TBH

Outline and Dimensions

Dimensions are approximate and subject to change.



Unit Rating Chart

Furnished standard with two 9 watt High Intensity Incandescent lamps.

UNIT EQUIPMENT - NO REMOTE CAPABILITY								
Sealed Maintenance-Free Battery Types	D.C. Voltage	Model Number	*Watts to 87 1/2% of rated battery voltage				Cabinet Size	
			11 1/2 hrs.	2 hrs.	3 hrs.	4 hrs.		
Nickel-Cadmium ??	6	TSC18-2**	18	12	9	6	S	
Long Life Lead ?	6	TSE18-2	18	11	8	6	S	
Lead-Calcium	6	TSM18-2	18	12	10	7	S	
UNIT EQUIPMENT - WITH REMOTE CAPABILITY								
Nickel-Cadmium ?	6	TSC25-2**	25	18	12	9	S	
	12	12TSC36-2**	36	21	15	12	S	
	12	12TSC50-2**	50	36	25	18	S	
	24	24TSC100-2	100	73	50	37	S	
Long Life Lead ?	6	TSE27-2	27	19	14	10	S	
	6	TSE36-2	36	24	17	13	S	
	6	TSE50-2	50	32	22	16	S	
	6	TSE110-2	110	74	57	43	L	
	12	12TSE36-2	36	24	17	13	S	
	12	12TSE54-2	54	37	28	21	S	
	12	12TSE72-2	72	62	43	33	L	
	12	12TSE110-2	110	74	57	43	L	
	24	24TSE72-2	72	48	34	26	L	
	24	24TSE110-2	110	74	57	43	L	
	Lead-Calcium ?	6	TSM27-2	27	18	14	10	S
		6	TSM36-2	36	25	20	14	S
6		TSM54-2	54	37	28	21	S	
6		TSM81-2	81	54	42	30	L	
6		TSM110-2	110	72	56	40	L	
12		12TSM36-2	36	25	20	14	S	
12		12TSM54-2	54	37	28	21	S	
12		12TSM110-2	110	72	56	40	L	
24		24TSM110-2	110	72	56	40	L	

*National Electrical Code Specification

☐ New York City Approved

? = Advanced diagnostics available

How To Order (example)

For standard units without options

Options are added to units at end of model #

TS	C	18	-2	UA	-D1
Series	Battery Type	Watts	No. of Head	Lamp Option	Option
	Nickel-Cadmium	for 90 min.	on unit	6V 9W Sealed Beam	Time Delay

NOTE: See lamp data sheet for other lamp wattage