

Distinction™ EFR2 Series *Self-Powered Recessed Down Light*



Safe, simple and sophisticated.

Easy to access for maintenance personnel.

Quick disconnect feature allows the contractor to easily install the trim to the housing.

Evaluated to UL 924 Standards.

Standard Features

Emergi-Lite EFR2 Distinction Series self-powered down light is a new generation in high-tech power disruption lighting protection. Utilizing state-of-the-art MR16 halogen lamps and industry-leading battery and wiring technology, the new Emergi-Lite self-powered down light packages these robust, industrial-strength qualities into a decorative, easy-to-install fixture that is a unique combination of safety and style.

Perfect for any commercial or high-end interior that calls for looks as well as capability.

No matter what the job, Emergi-Lite has the fixture to fit your budget, your code requirements, and your client's idea of an attractive decor.

Unit Data

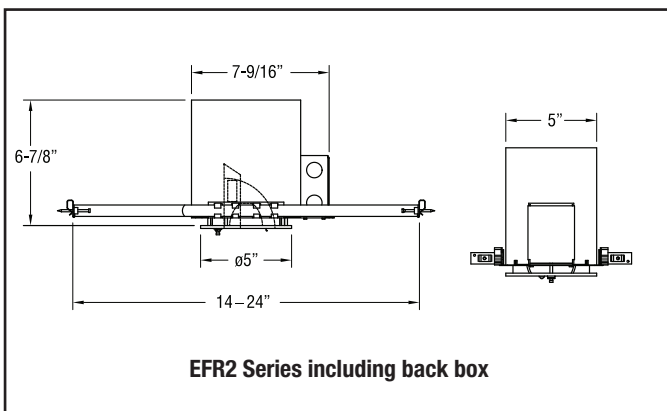
The recessed gimbal is constructed of a durable, powder coated, die cast aluminum and is furnished with an MR16 lamp source powered by a sealed Nickel-Cadmium battery. The unit will be furnished with a metal, fully recessed backbox to house the electronics, battery and all associated wiring. Furnished standard with bar hanger kit.

The light source shall be adjusted by rotating the gimbal through 359° in azimuth and or positioning the lamp through 90° in pitch.

The light source will be 6 volts 6 watts MR16 halogen lamp. The emergency lighting fixture will provide illumination in the emergency mode directly from the internally mounted nicad battery. The duration of operation provided by the nicad battery will be no less than 90 minutes as required by NFPA 101 Life Safety Code.

Outline and Dimensions

Dimensions are approximate and subject to change.



Operation

Operation is completely automatic. A brownout sensitive transfer circuit automatically connects the emergency lamp upon either complete loss of normal AC power or when the AC voltage drops down to a point where normal AC lighting will not function. The unit also monitors DC battery voltage and disconnects the lamps before the battery can go into deep discharge (in conditions of extended power failures). When the AC power is restored the Charger automatically returns the battery to full charge in 24 hours, and monitors the battery to maintain full charge.

Charger

Electrical power requirements: 120 V, 60 Hz, 0.046 A, 4.17 W
277 V, 60 Hz, 0.024 A, 4.76 W

Transfer: Dust tight relay automatically and instantly energizes lamp load upon failure of AC supply. Battery protection circuit automatically shuts down lamp load when battery reaches 87 1/2% of it's rated voltage.

Charger is 100% solid state, includes auto-equalize, temperature compensation and is controlled by a 1% Zener reference.

Battery

The self-powered Distinction series down light contains a long-life Nickel-Cadmium battery. This battery will operate in extreme temperature ranges without experiencing the dry out problem sometimes associated with a plastic case battery design. At low temperatures the low internal resistance of the cell minimizes internal voltage drop. The low self discharge rate reduces capacity loss during shipment and storage.

How To Order

Optional colors

	Suffix
Black	BK
Brushed Nickel	BN
Chrome.....	CH
Polished brass	PB
White	WH

Accessories (order as a separate item)

Remote Test Switch (metal face plate).....	RTS
Remote Text Switch (plastic face plate)	RTS-1
Replacement lamp number(6V 6W)	580.0074-E

How To Order (example)

EFR2	WH	SP	-U
Model	Color	Standard Catalog	Model
EFR2	WH=white	Construct	-U=USA model
	BK= black	SP=self-powered	
	BN =brushed Nickel		
	CH= chrome		
	PB= polished brass		