

A molded in strut style test switch and two flush mounted fresnel lenses add a contemporary, elegant style to the **DLM-2**. Its compact design, measuring only 5 inches by 12 inches, has a lightly textured, off-white finish that will blend well with a variety of architectural surfaces. No screws or other mounting hardware is visible. It can be mounted in any orientation on walls or ceilings.

Listed to UL924 Standard

Complies with NEC, Life Safety Code and OSHA.

Sealed Maintenance-Free Batteries

- Lead-Calcium

Standard Features

Reliability

The **DLM-2 Series** comes complete with a 3-year full warranty (excluding lamps, pilot lamps and fuses).

Unit Data

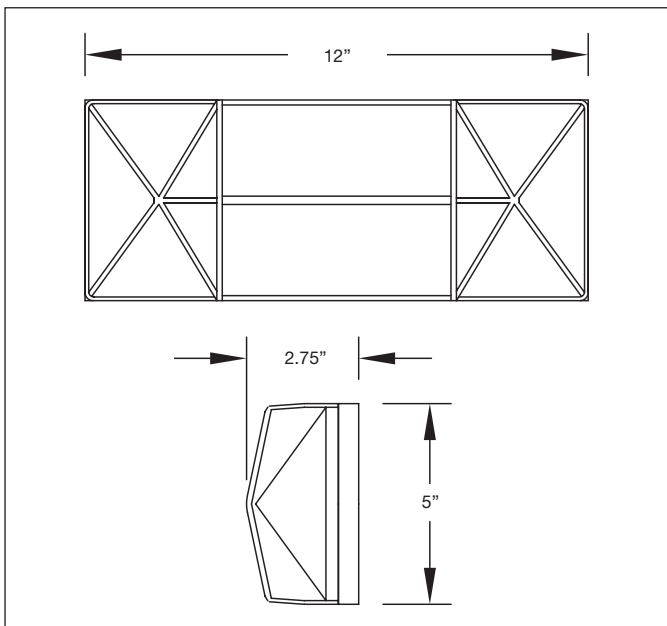
The **DLM-2** is completely self-contained. Constructed of high impact, UL recognized 94V, 5VA thermoplastic. Unit will resist denting, peeling, scratching and corrosion. Lamps are a 6V high intensity all-glass wedge base and the transparent lens is constructed of polycarbonate.

Reliable Integrated Circuitry

Integrated circuitry offers a 120/277 Vac 0.08/0.04 Amp standard, automatic charging, instantaneous transfer, test switch, long life LED AC charge monitor light, temperature compensated charger, short-circuit proof and reverse polarity protected, Low Battery Voltage Disconnect, Brownout protection, and lockout (automatic battery connection).

Outline and Dimensions

Dimensions are approximate and subject to change.

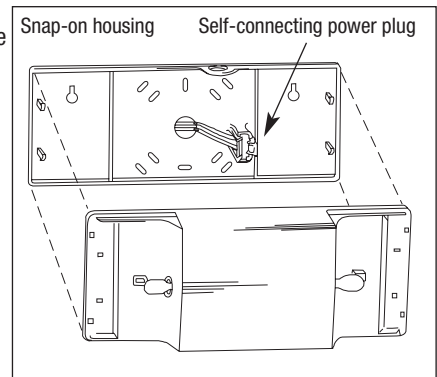


The Performance

In both mechanical and electrical performance, the **DLM-2** is a superior value in its class.

Its tough thermoplastic body and flush mounted heads will not dent, peel or corrode. Snap together lens and body and self-connecting power plug make installation quick and easy.

Electrical performance is assured by a 6 volt maintenance-free Lead-Calcium recombination battery and a solid state charger which includes premium features such as: Lockout, Temperature compensation and Low voltage disconnect. Selectable 120/277 standard operation.



Accessories (order as a separate item)

Wire Guard.....WG13-E

How To Order

Standard DLM-2 unitDLM-2

Model