



6 and 12 Volt, Class I Division 2 HZM Series

The **HZM Series** is designed to prevent ignition of hazardous materials. Applications include locations where flammable materials are stored and handled.

For Use in Hazardous Locations:

- Class I Division 2 Groups A, B, C and D,

Supplied with Diagnostics as Standard

Continuously monitors every critical function of the unit

UL Listed

Complies with NEC, Life Safety Code and OSHA.

Sealed Maintenance-Free Batteries

- Lead-Calcium

Applications

- Manufacturing Plants, • Chemical Plants, • Food Processing Areas*,
- Paint Shops, • Moisture, Dirt or Dust Concerns
- Wet or Corrosive Conditions

*Shatter resistant lamp coating optional

Standard Features

Reliability

The HZM Series comes complete with a 3-year full warranty, (excluding lamps, pilot lights and fuses).

Unit Data

The water and corrosion resistant cabinet is made of fiberglass reinforced polyester. The industrial gray cabinet is fully gasketed around the cover. The test switch and AC pilot light are explosion proof in design and exceed requirements for Class I, Division 2, Group A, B, C & D. The battery compartment is vented with a breather vent designed to permit exhaust of battery gases without admitting external moisture or corrosives. The standard HZM unit is furnished with two, EF11 weather resistant thermoplastic heads utilizing the 12 watt high intensity, sealed beam tungsten lamps. The lamps heads are constructed of impact resistant, flame retardant thermoplastic.

Charger

Fully automatic pulse charger offers 120/277 Vac, 60 Hz., 0.43/0.2 Amp., limited current temperature compensation, short circuit proof, reverse polarity protected, low voltage battery disconnect brownout protection and standard solid state transfer feature.

Standard Self-Diagnostics Circuitry

Will continuously monitor every critical function of the unit. If a problem occurs, a single fault indicator on the outside of the fixture flashes immediately. A detailed diagnostic display is located internally. The detailed display will further indicate the nature of the fault as either a battery fault, load fault or a charger fault.

Optional Features

Description

Add Suffix

Temperature Control 120 Volt Heater.....	-H1
Temperature Control 277 Volt Heater.....	-H2
Time delay (specify 5, 10 or 15 minutes).....	-D1, D2 or D3
Shatter resistant teflon coated lens	-TC

Accessories (order as a separate item)

Wire GuardWG3-E



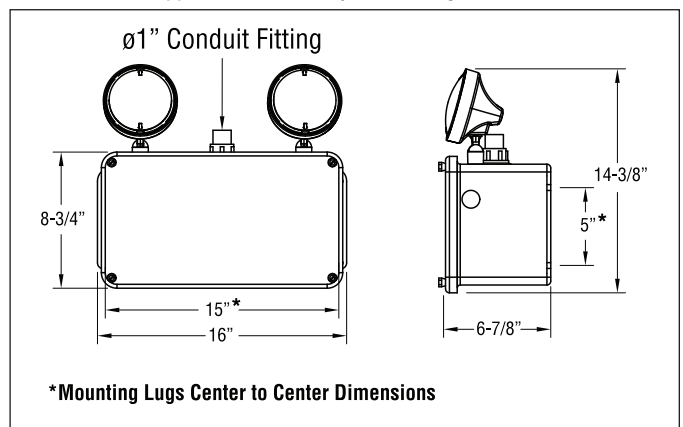
Unit Rating Chart

Furnished standard with two 12 watt High Intensity Sealed Beam Tungsten lamps.

UNIT EQUIPMENT - WITH REMOTE CAPABILITY						
Sealed Maintenance-Free Battery Types	D.C. Volt	Model Number	*Watts to 871/2% of rated battery voltage			
			1 1/2 hrs.	2 hrs.	3 hrs.	4 hrs.
Lead-Calcium	6	6HZM24-2	24	18	10	6
	12	12HZM56-2	56	37	21	12

Outline and Dimensions

Dimensions are approximate and subject to change.



How To Order (example)

For standard units without options only order Model Number

Options are added to units by listing suffix at end of model #

12HZ	M	56	- 2	UE	- H1
Series	Battery Type	Watts for 90 min.	No. of Head on unit	Lamp Option*	Option
	Lead-Calcium			12V 12W HIT Incandescent	
				*see lamp data (HIT) sheet for other lamp wattages.	

NOTES: Includes standard lamp