



## Class I, Division 2 Compliant Remote Fixtures

# Hazardous Location Remote Fixture EF41 Series

The **EF41 Series** of Remote Fixture has been designed specifically for installation in hazardous locations and other high abuse, industrial environments. Weather resistant, high impacts, vibrations and variations in temperature. The EF41 Series of Remote Fixtures is ideally suited for areas with the risk of presence of flammable gases, vapors or liquids able to create an explosive gas atmosphere.

### Standard Features

- Evaluated to UL 844 Standard for Class I Division2, Groups A, B, C and D
- Temperature Codes: T3B (10W and 12W MR16 lamps) and T2C (20W MR16 lamps)
- Extreme operational temperature range: -40°C to +40°C
- Choice of single- or double-lamp models
- High-efficacy MR16 halogen lamps of 10W, 12W and 20W (see specification table)
- Input voltage: 6V, 12V, 24V or 120V
- Die-cast aluminum back plate with gasket
- Clear polycarbonate cover, UV and impact resistant
- Easy installation on a 4-inch octagonal box (included in the package)
- Comes standard with tamper-proof screws and bit

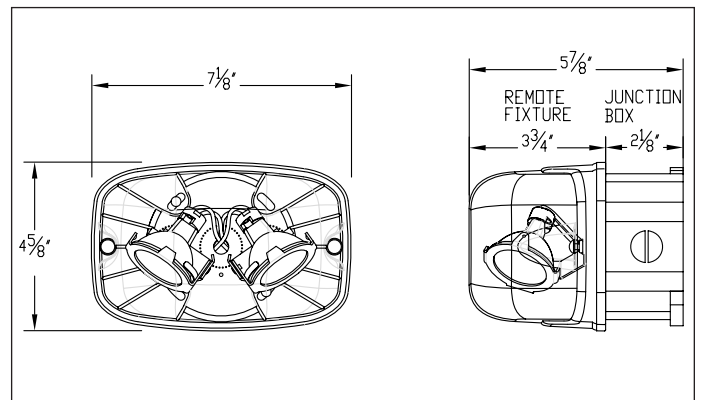
### Power and Temperature Ratings (Table 1)

Lamp Type	Input Voltage	Power (each of 2 lamps)	Temperature Code
MR16	6 Volts	10 Watts	T3B (max. 165°C)
MR16	12, 24 Volts	12 Watts	T3B (max. 165°C)
MR16	12, 24, 120 Volts	20 Watts	T2C (max. 230°C)



### Outline and Dimensions

Dimensions are approximate and subject to change



### How To Order (example)

EF41	(MJ)	-GY
Series	Lamp Type/Wattage	Colors
EF41= single	(MJ)= 6V - 10W MR16	-GY= gray
EF41D= double	(MK)= 12V - 12W MR16	
	(MW)= 12V - 20W MR16-IR	
	(MS)= 24V - 12W MR16	
	(MD)= 24V - 20W MR16	
	(MT)= 120Vac/Vdc - 20W MR16 (GU10)	