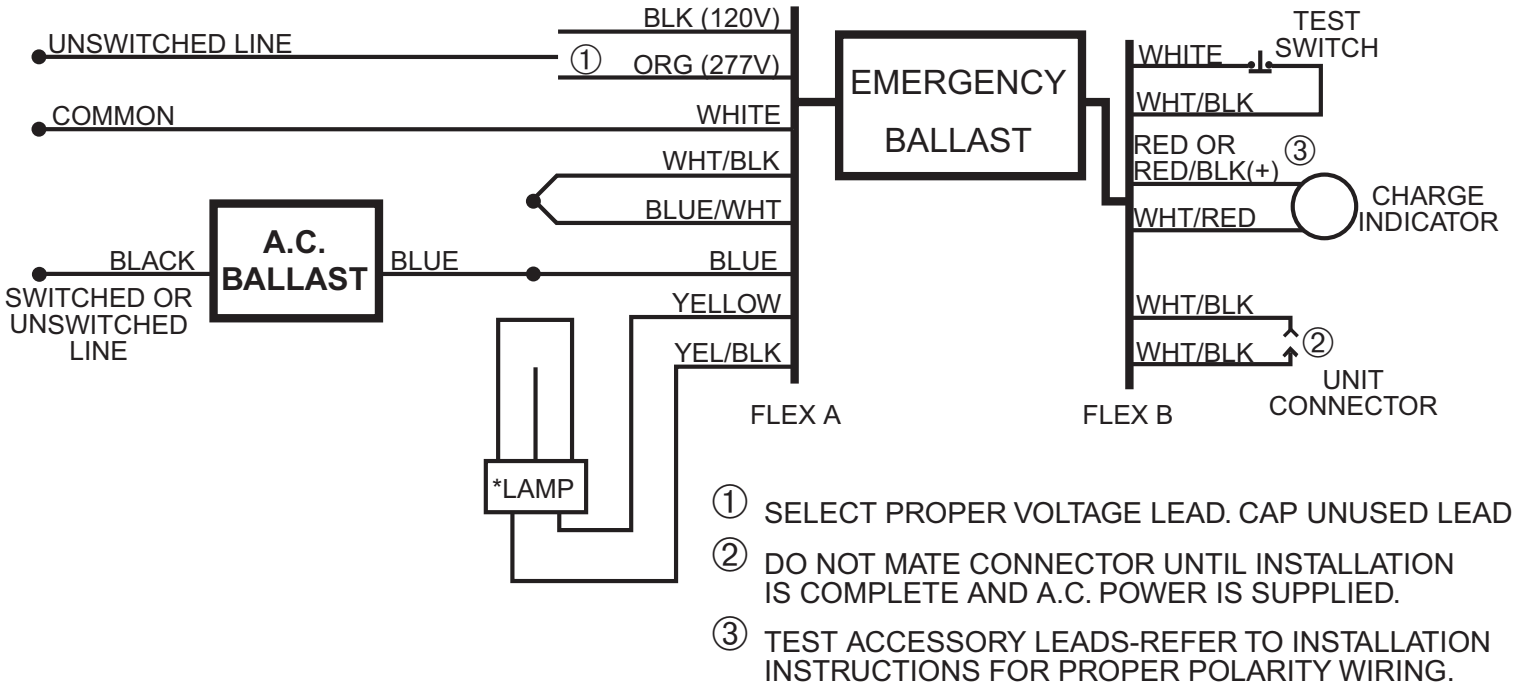


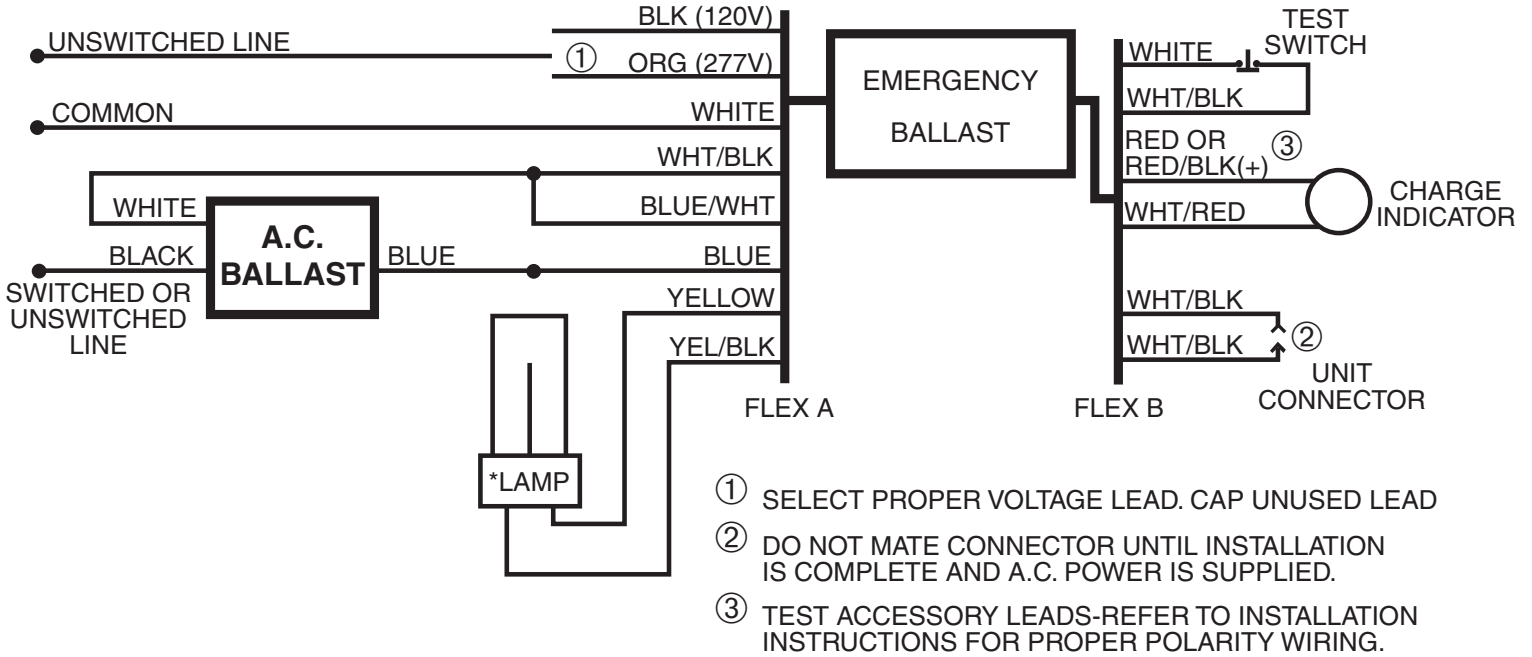
## ONE LAMP MAGNETIC BALLAST



1LMB

### NOTES

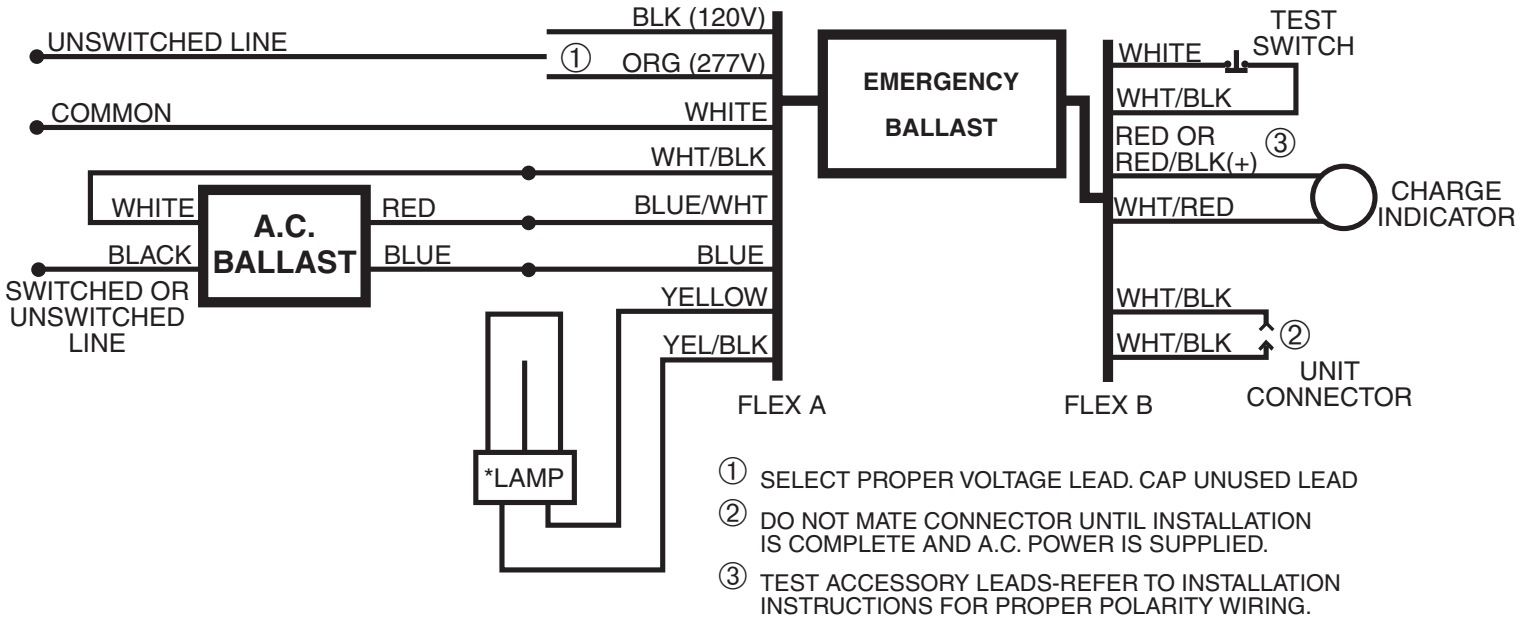
## ONE LAMP HIGH POWER FACTOR MAGNETIC BALLAST



1LHPFMB

### NOTES

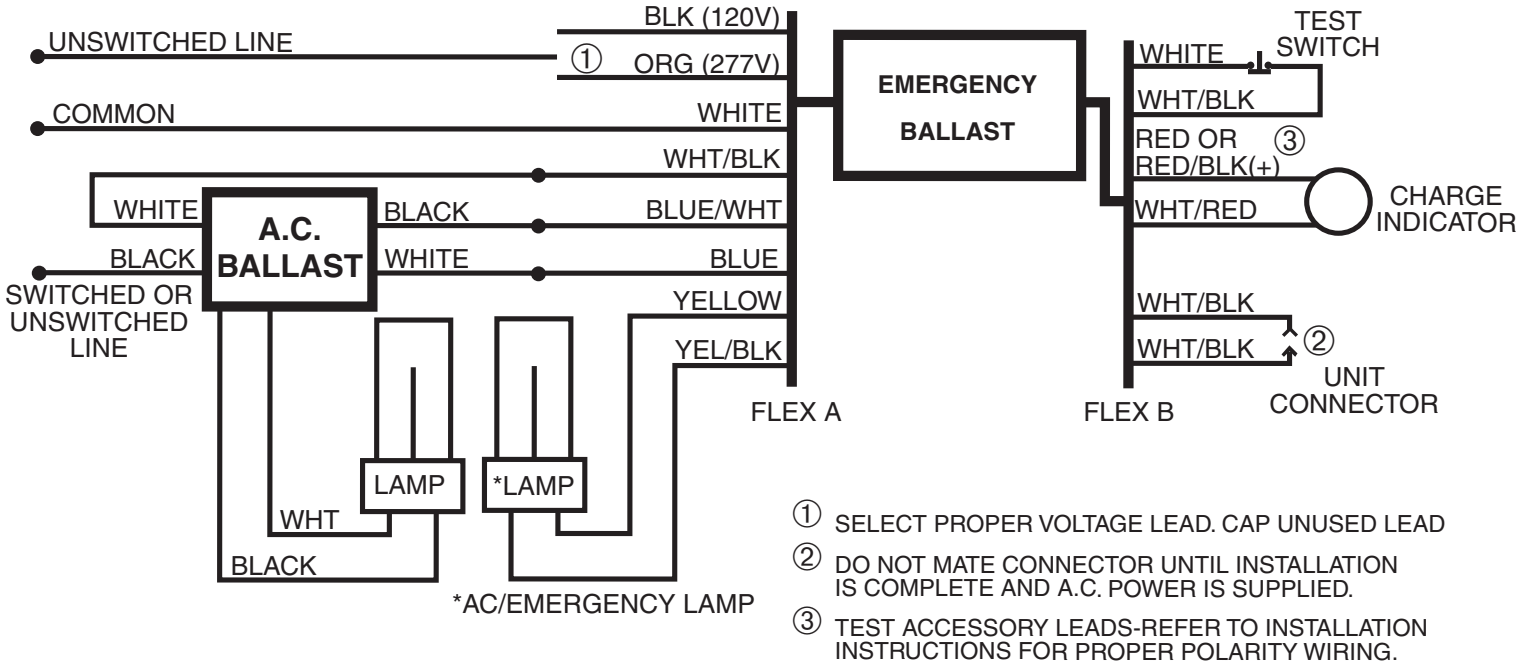
## ONE LAMP ELECTRONIC BALLAST



1LEB

### NOTES

## TWO LAMP ELECTRONIC BALLAST

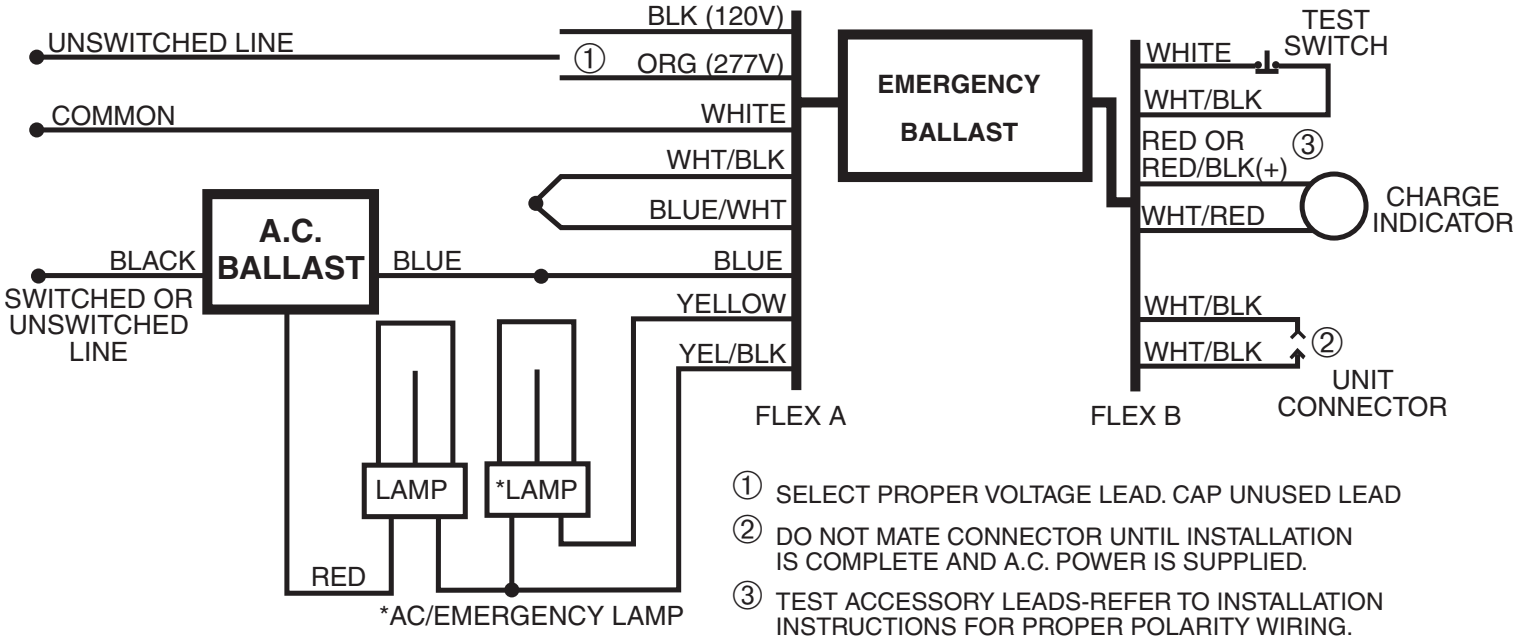


2LEB

### NOTES



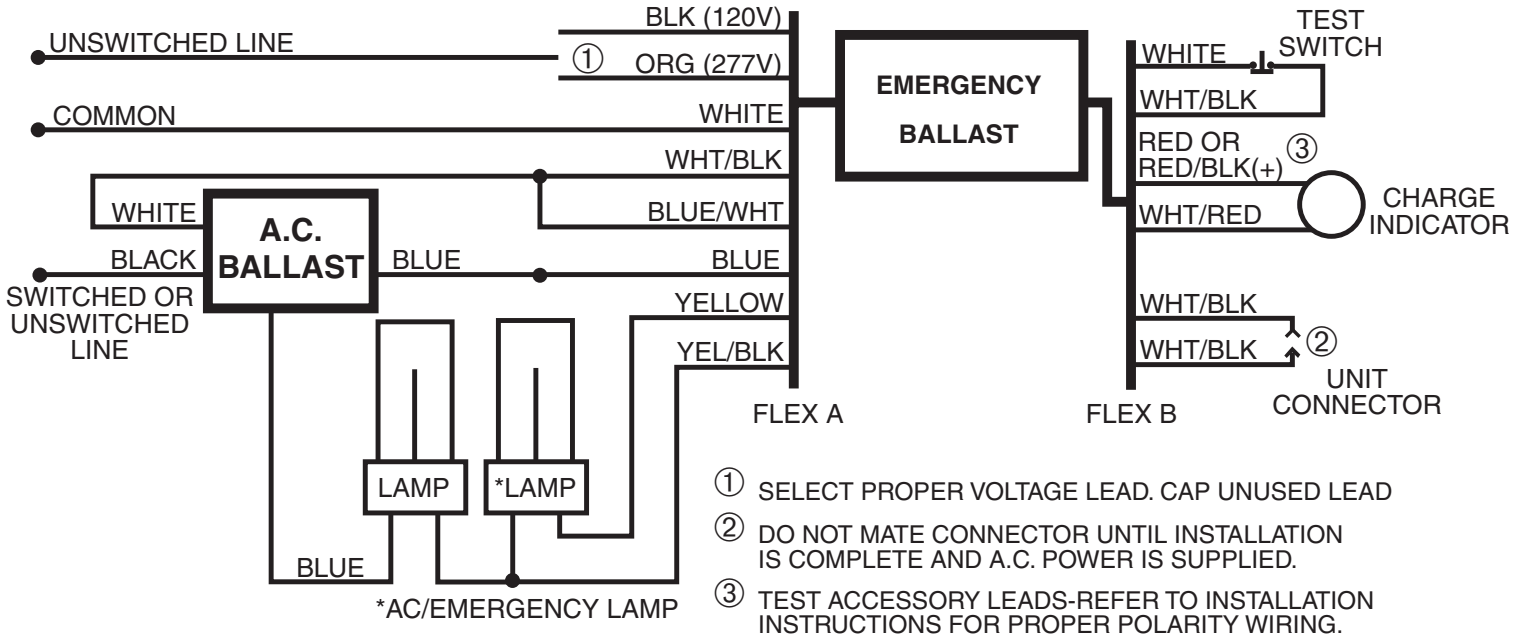
## TWO LAMP PARALLEL MAGNETIC BALLAST



2LPMB

### NOTES

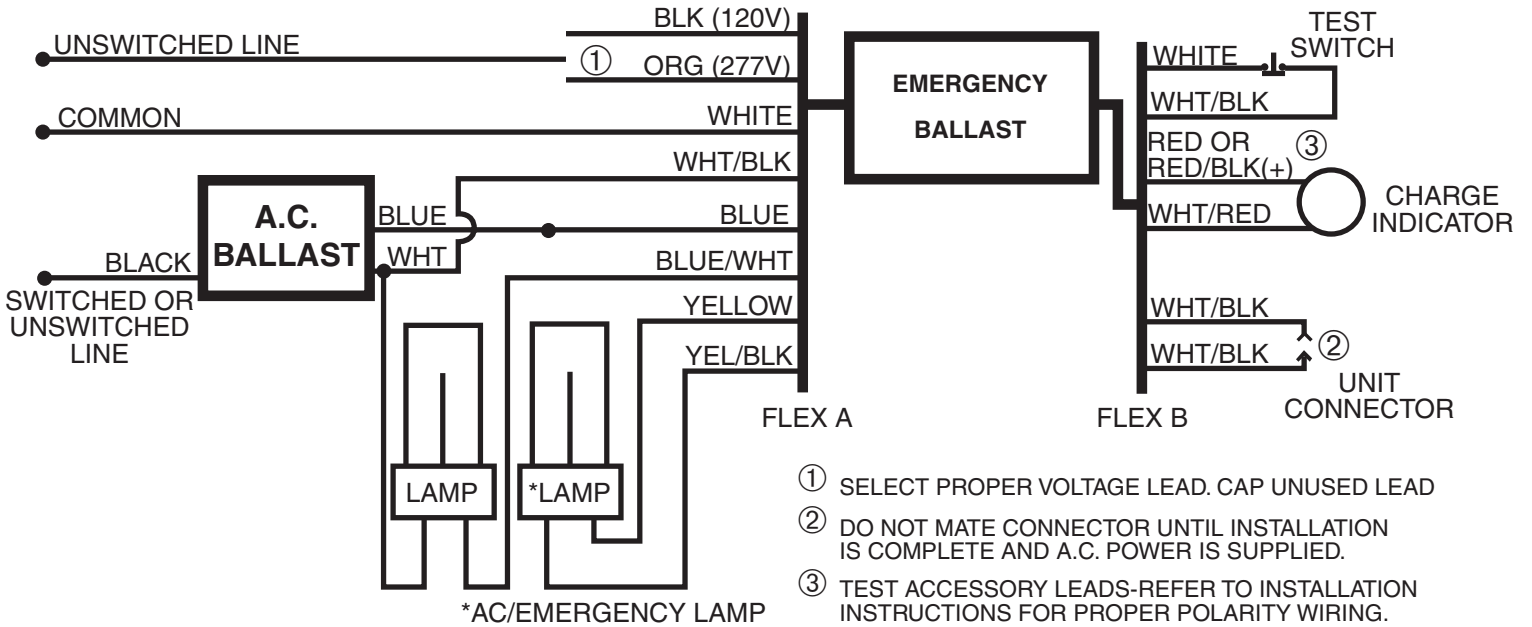
## TWO LAMP PARALLEL HIGH POWER FACTOR MAGNETIC BALLAST



2LPHPFMB

### NOTES

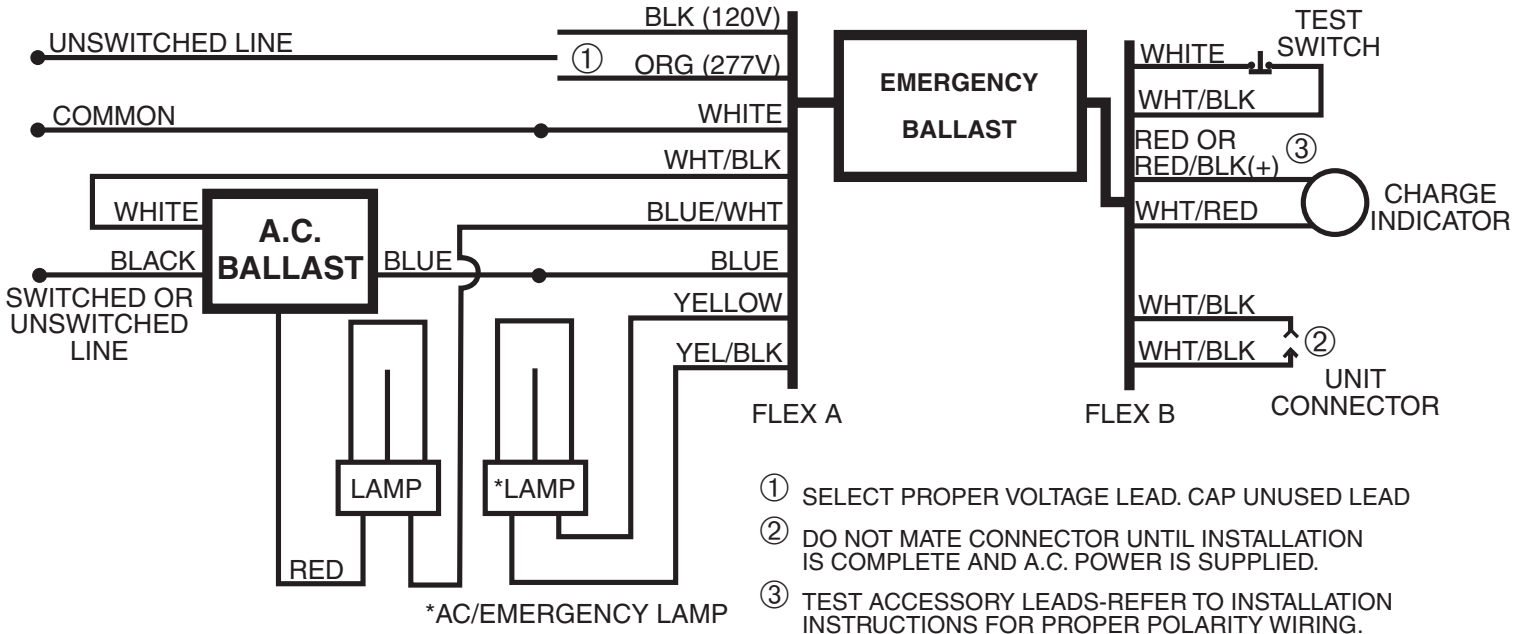
## TWO LAMP SERIES MAGNETIC BALLAST



2LSMB

### NOTES

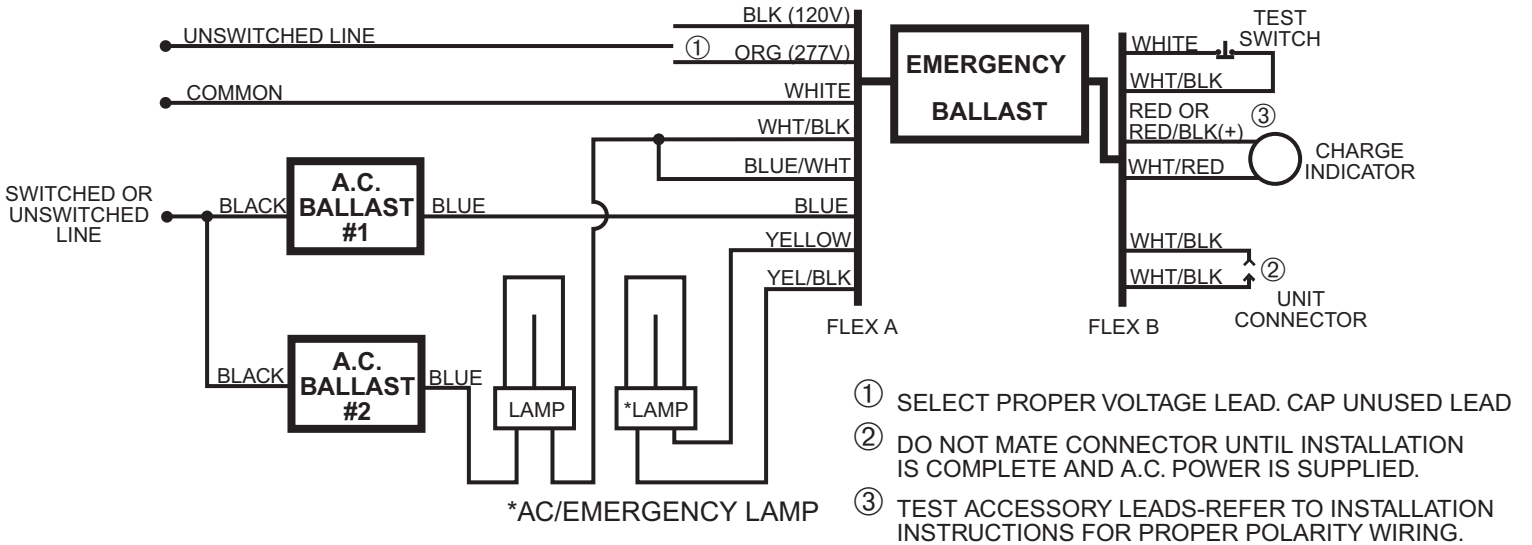
## TWO LAMP SERIES HIGH POWER FACTOR MAGNETIC BALLAST



2LSHPFMB

### NOTES

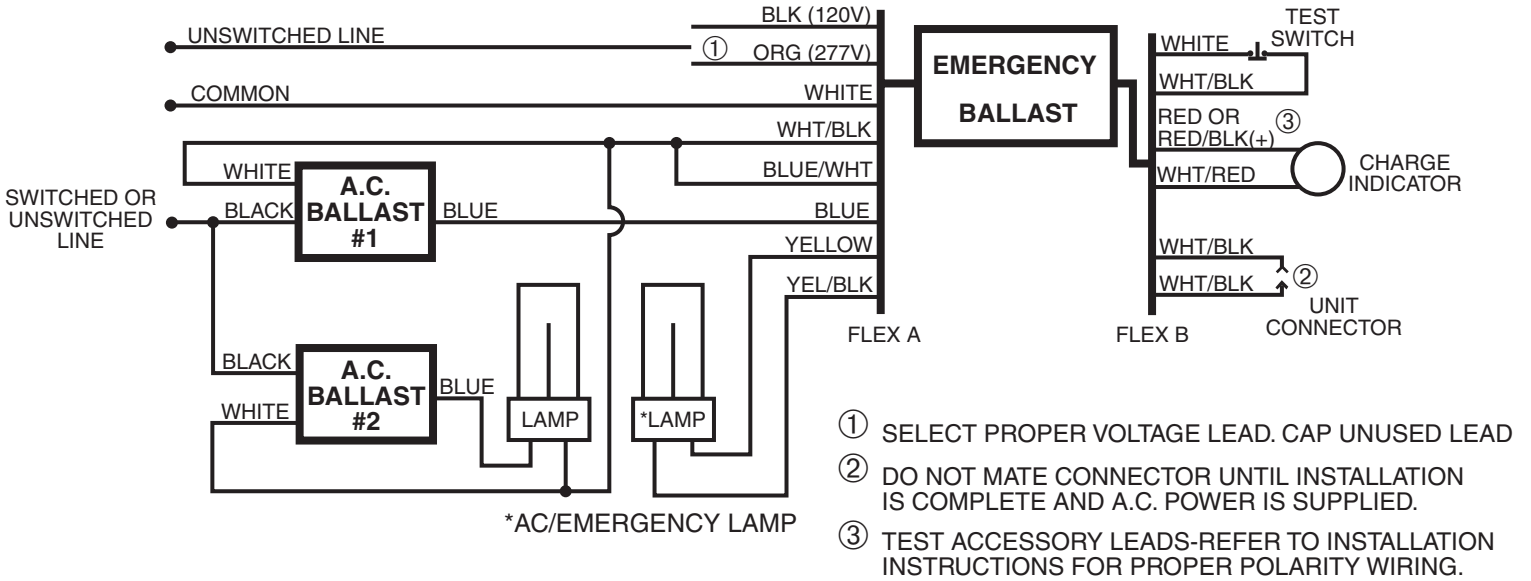
## TWO NORMAL POWER FACTOR MAGNETIC BALLASTS



2NPFMB

### NOTES

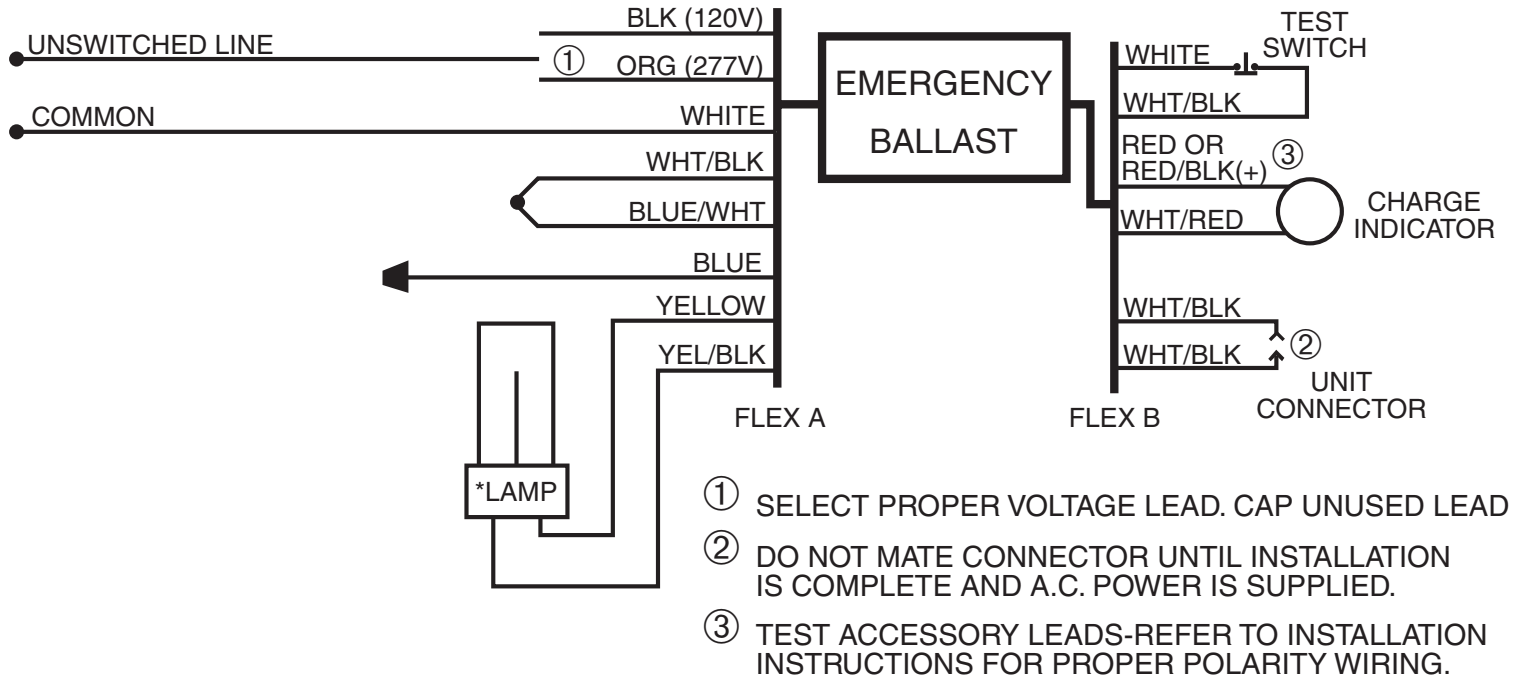
## TWO HIGH POWER FACTOR MAGNETIC BALLASTS



2HPFMB

### NOTES

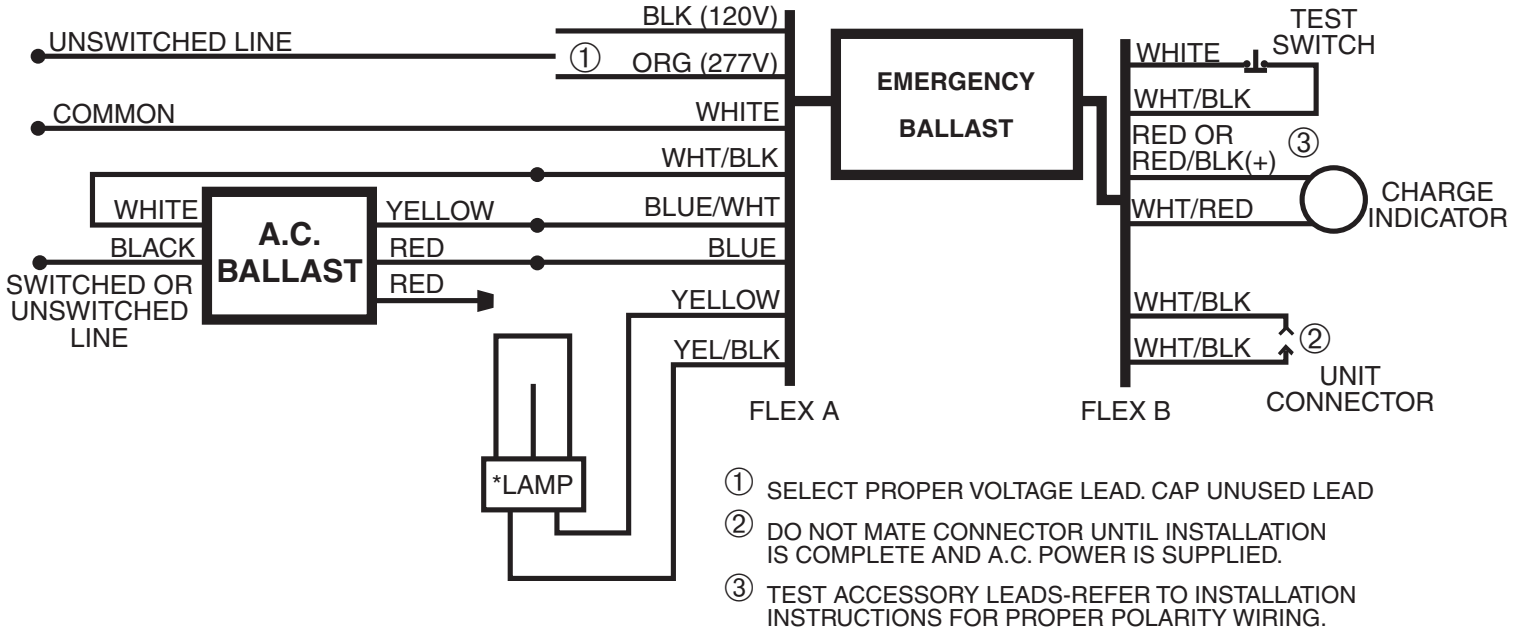
## EMERGENCY OPERATION ONLY



1LMB\_EO

## NOTES

## ONE LAMP FULLHAM BALLAST

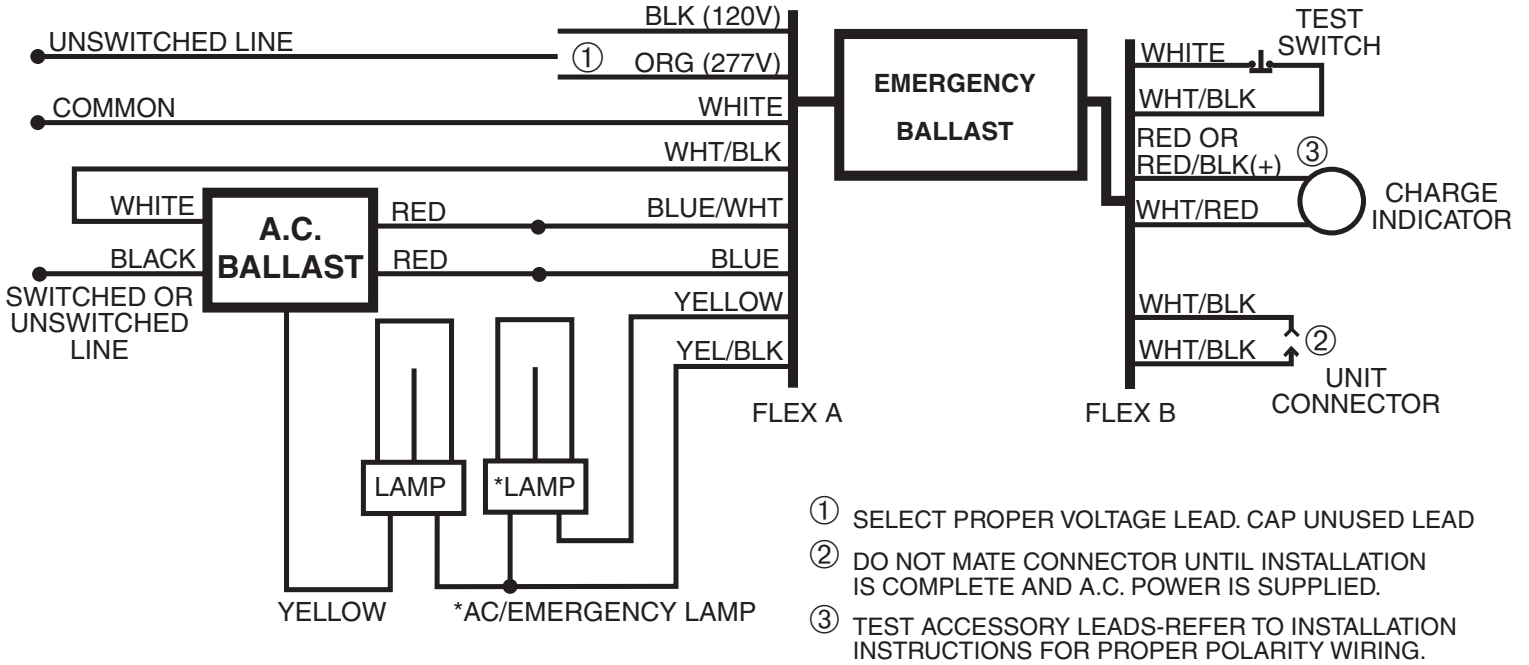


1LFB

### NOTES



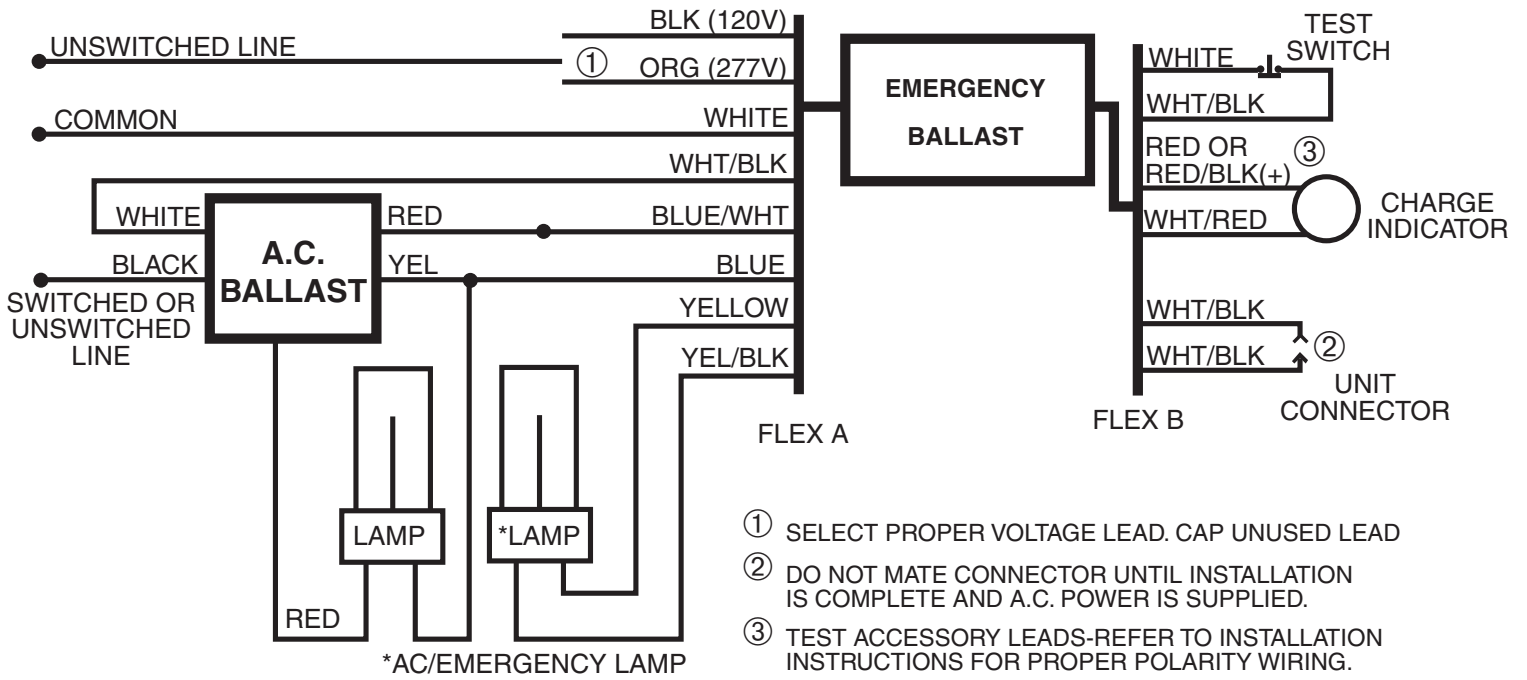
## TWO LAMP FULLHAM BALLAST



2LFB

### NOTES

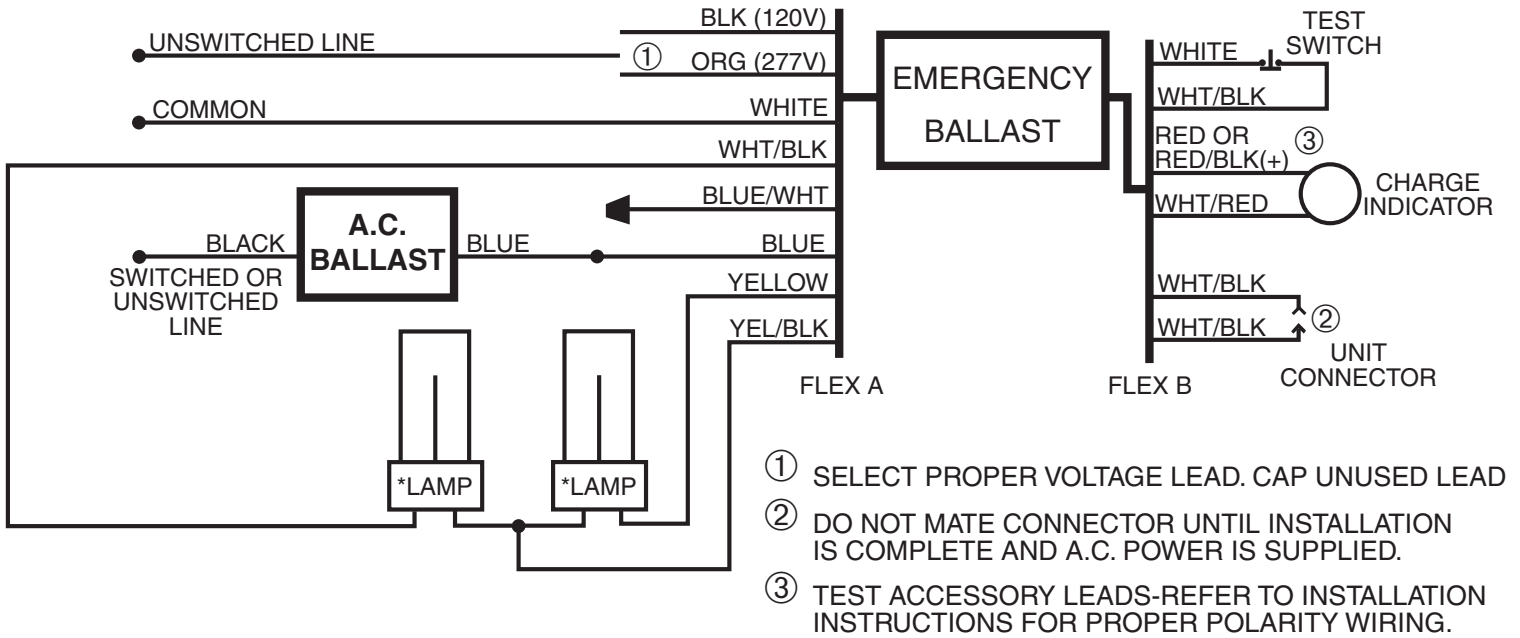
## TWO LAMP FULLHAM BALLAST



2LFB\_2

### NOTES

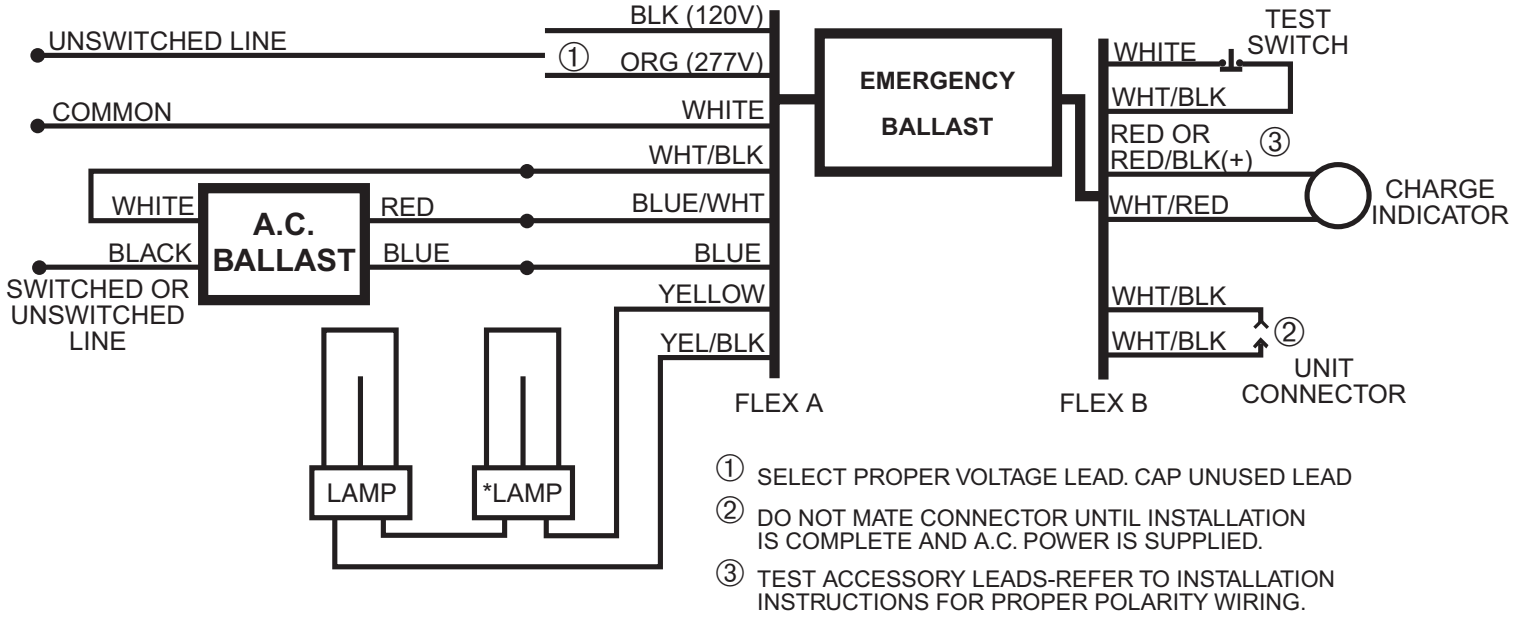
## TWO LAMP MAGNETIC BALLAST



2LMB

### NOTES

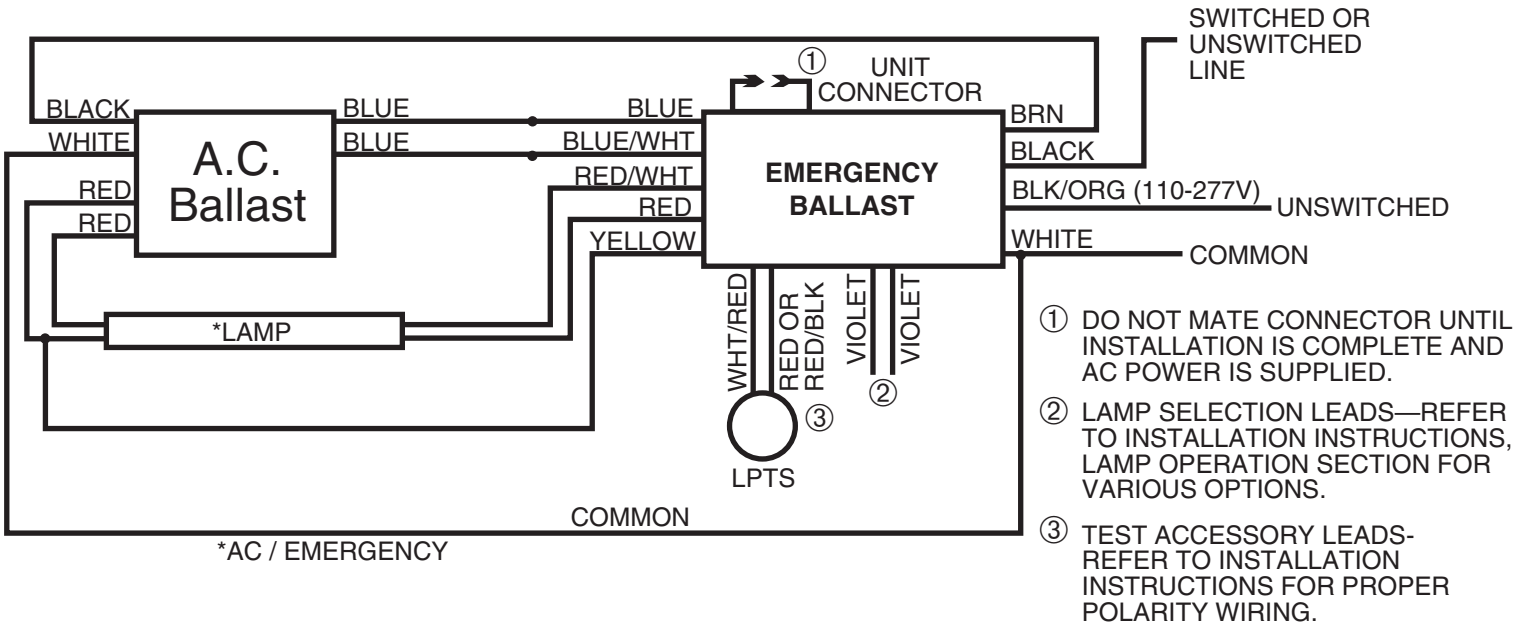
## TWO LAMP PARALLEL ELECTRONIC BALLAST



2LPEB

### NOTES

## ONE LAMP RAPID START BALLAST

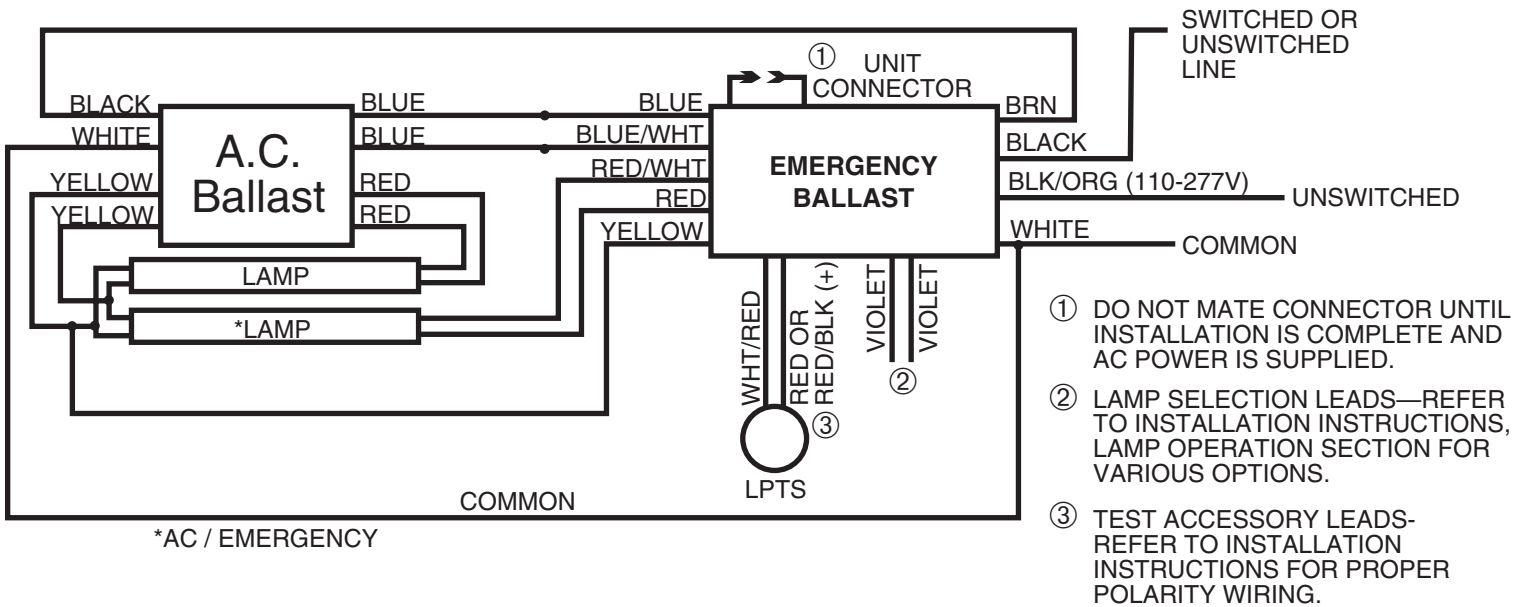


NISD80\_1

### NOTES

Blank area for notes.

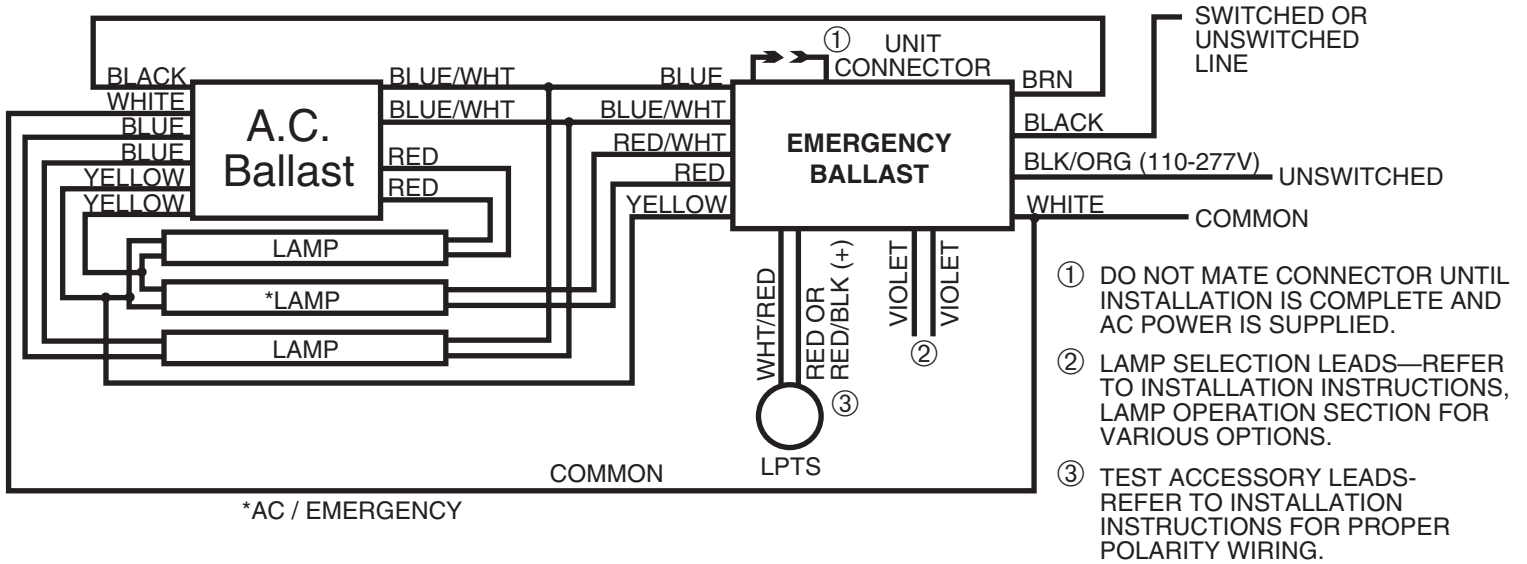
## TWO LAMP RAPID START BALLAST



NISD80\_2

### NOTES

## THREE LAMP RAPID START BALLAST

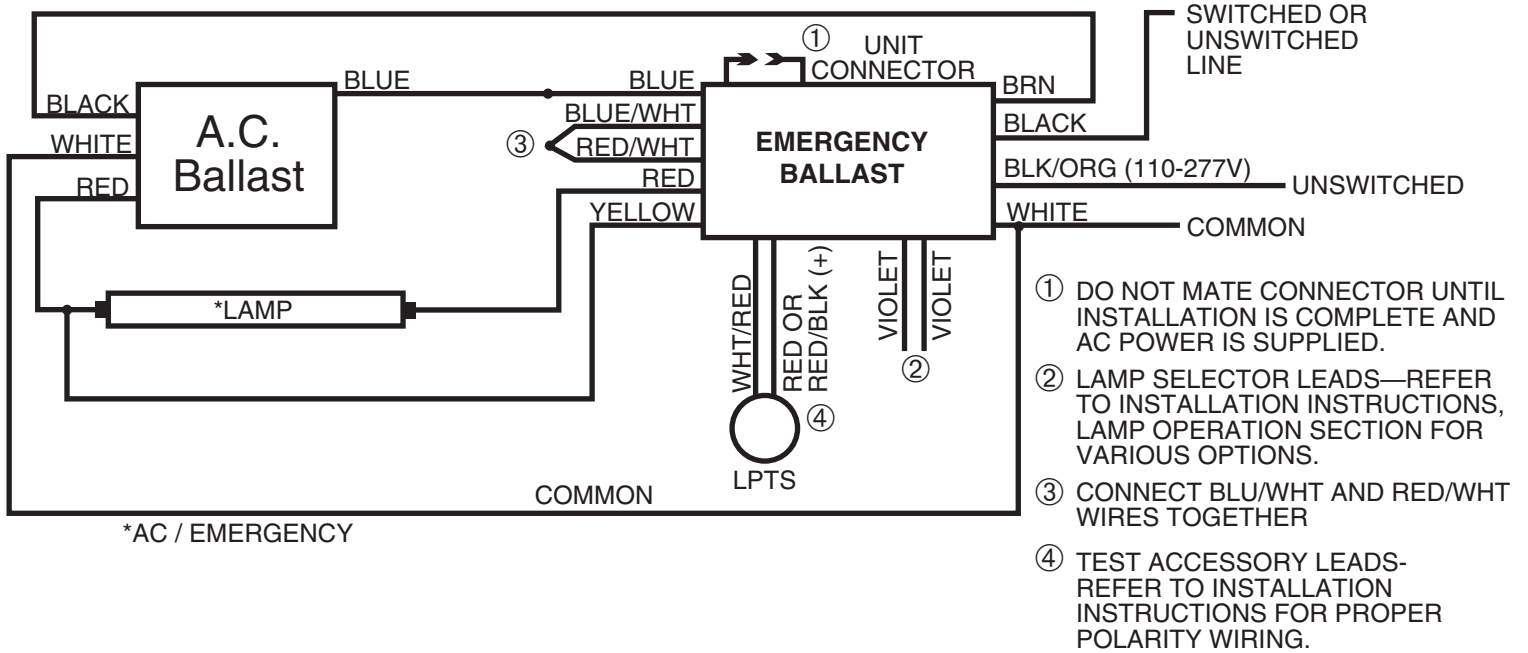


NISD80\_3

### NOTES

Blank area for notes.

## ONE LAMP INSTANT START BALLAST

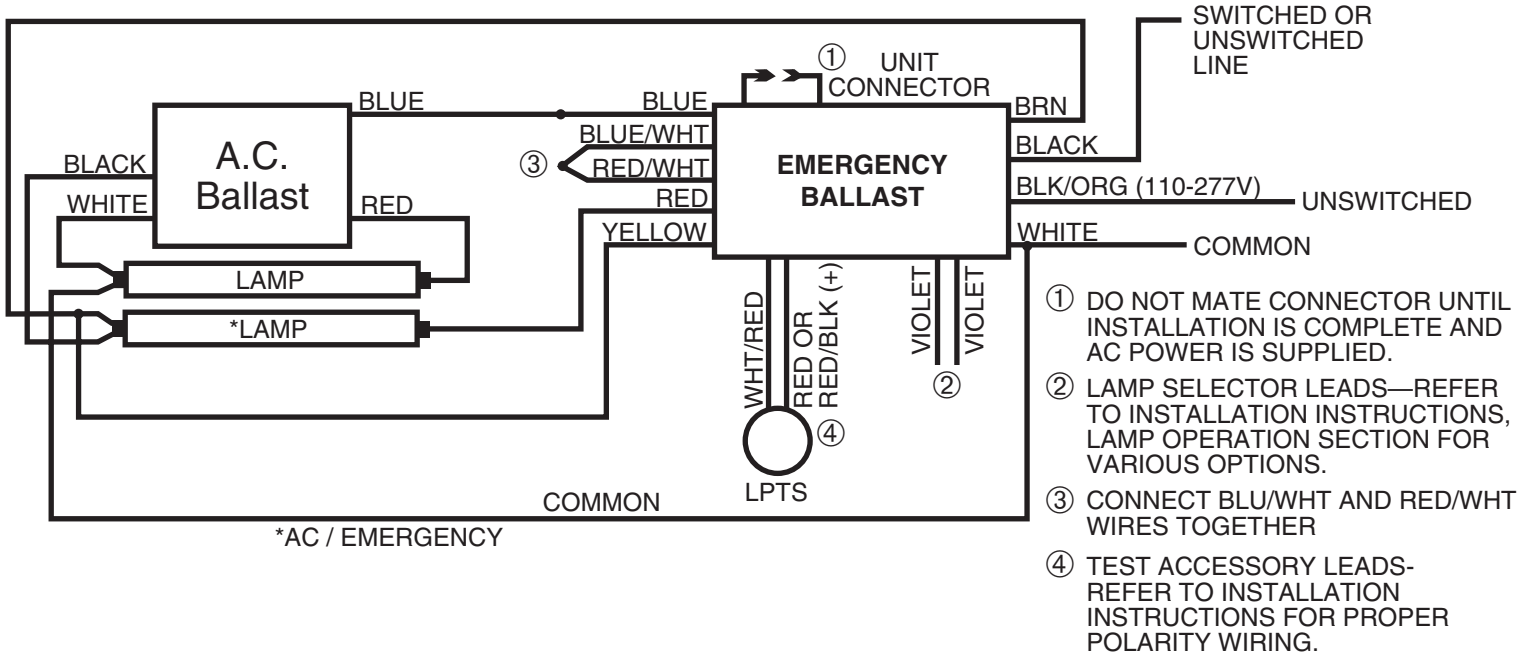


NISD80\_4

### NOTES



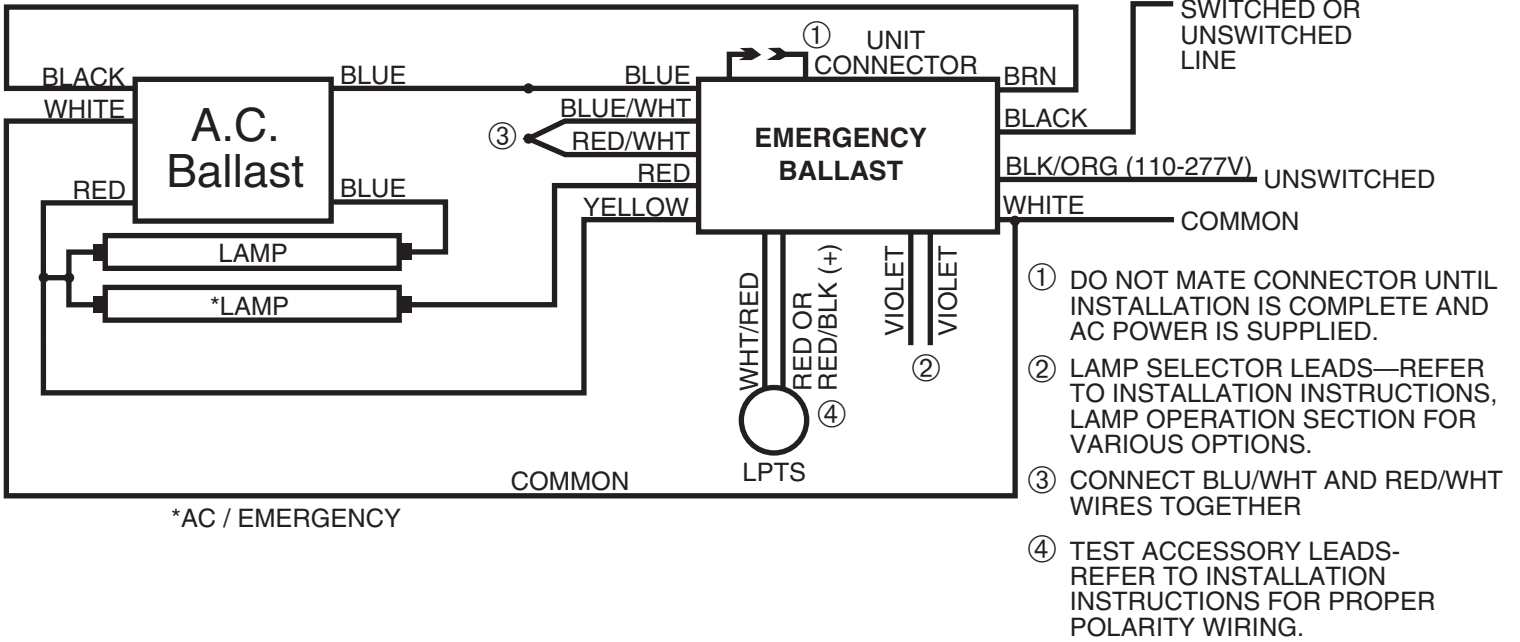
## TWO LAMP INSTANT START BALLAST



NISD80\_5

### NOTES

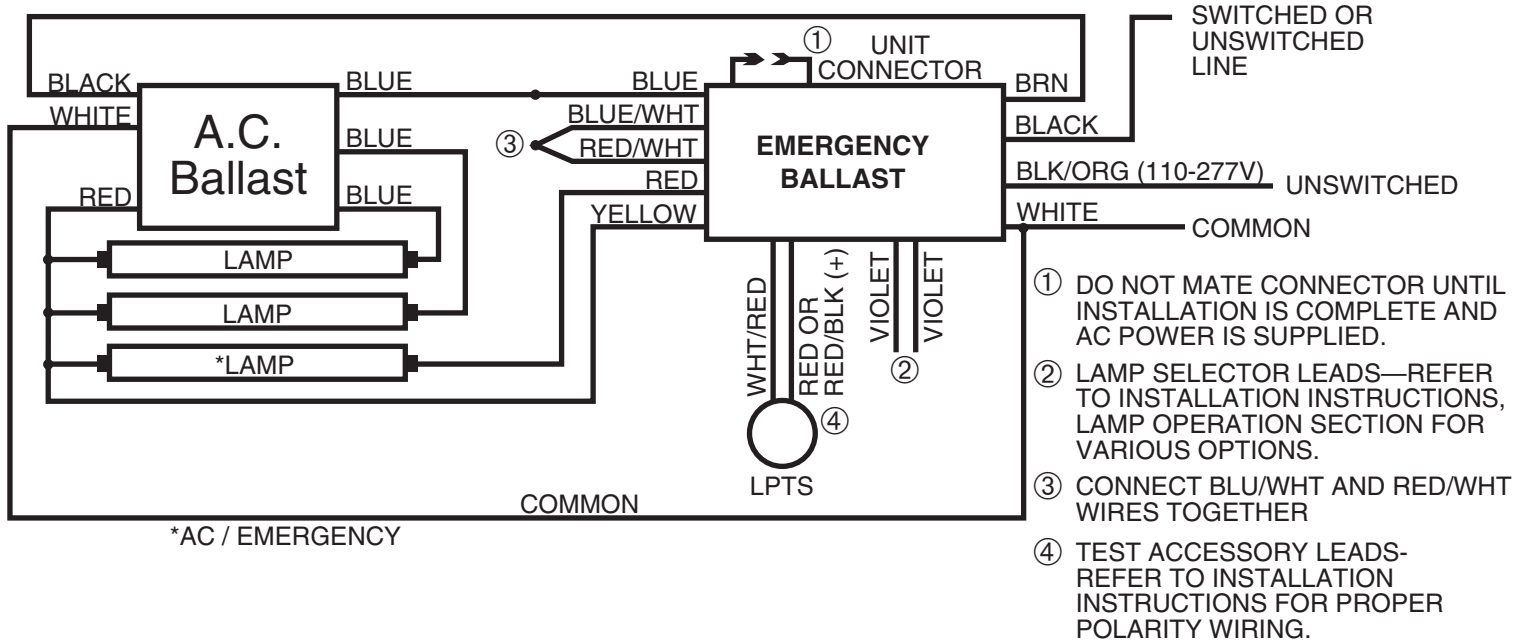
## TWO LAMP INSTANT START BALLAST



NISD80\_6

### NOTES

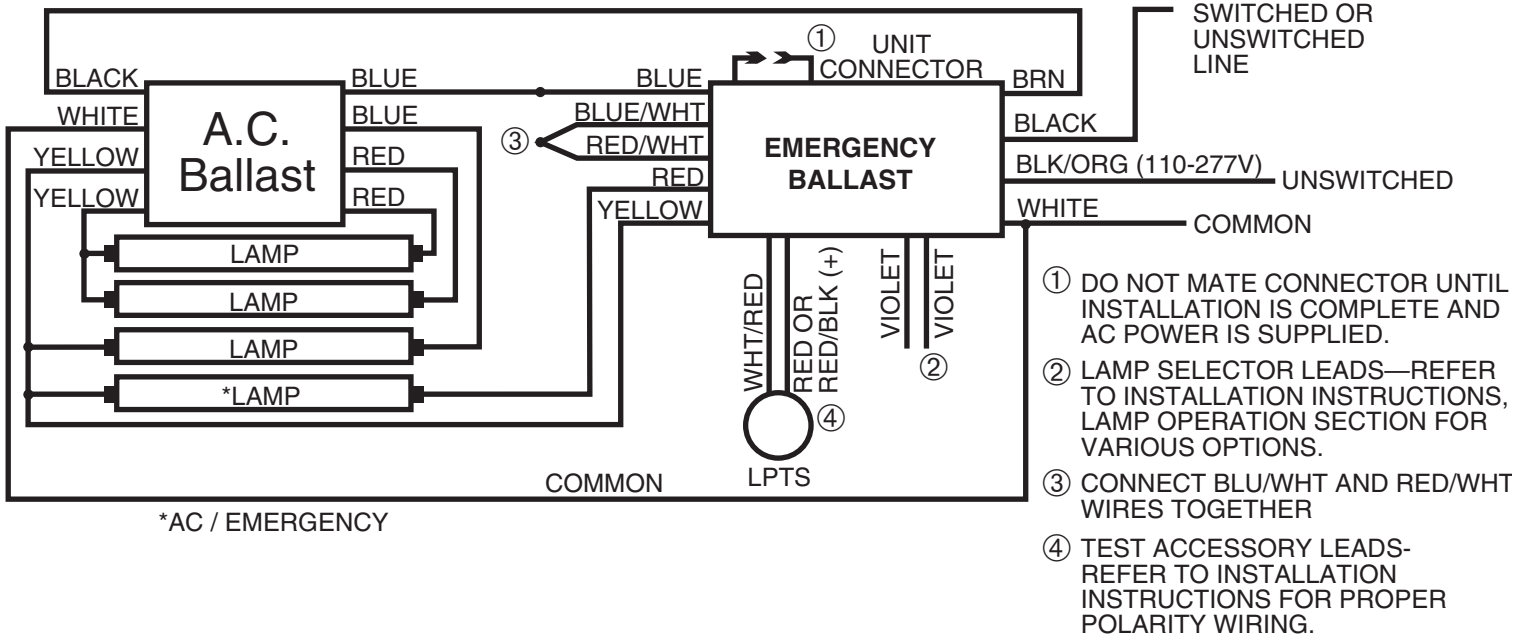
## THREE LAMP INSTANT START BALLAST



NISD80\_7

### NOTES

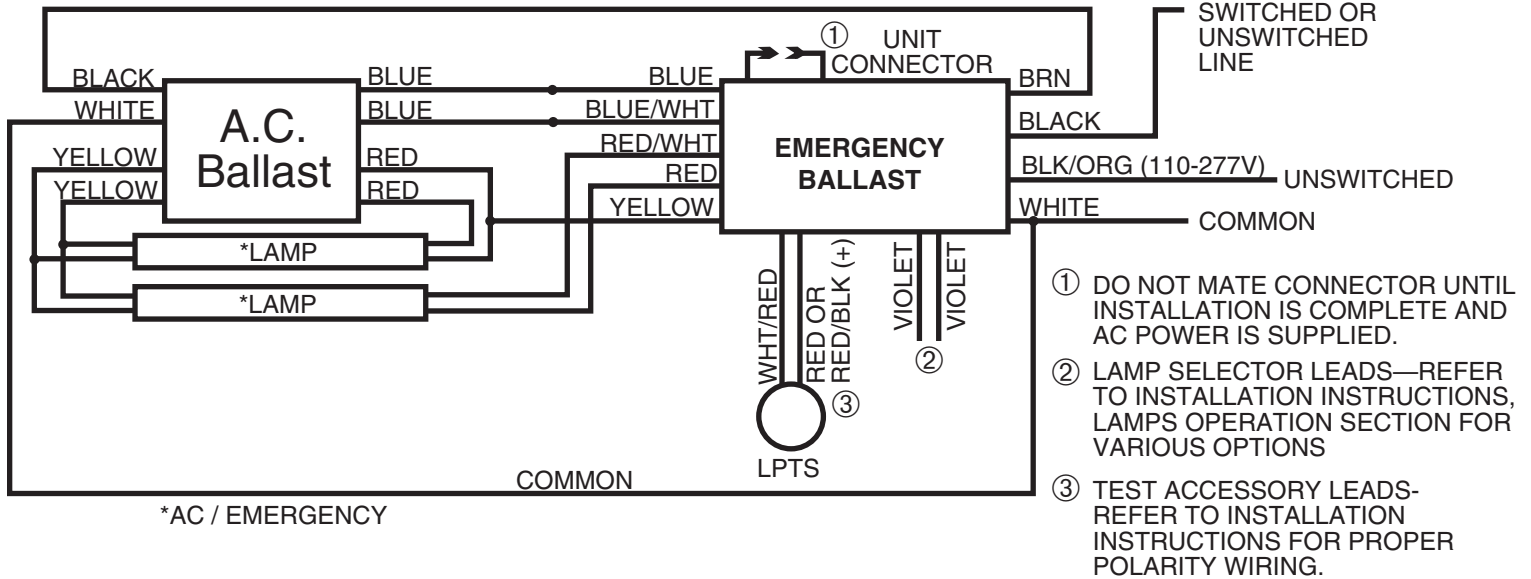
## FOUR LAMP INSTANT START BALLAST



NISD80\_8

### NOTES

## TWO LAMP RAPID START BALLAST W/ TWO LAMP EMERGENCY OPERATION



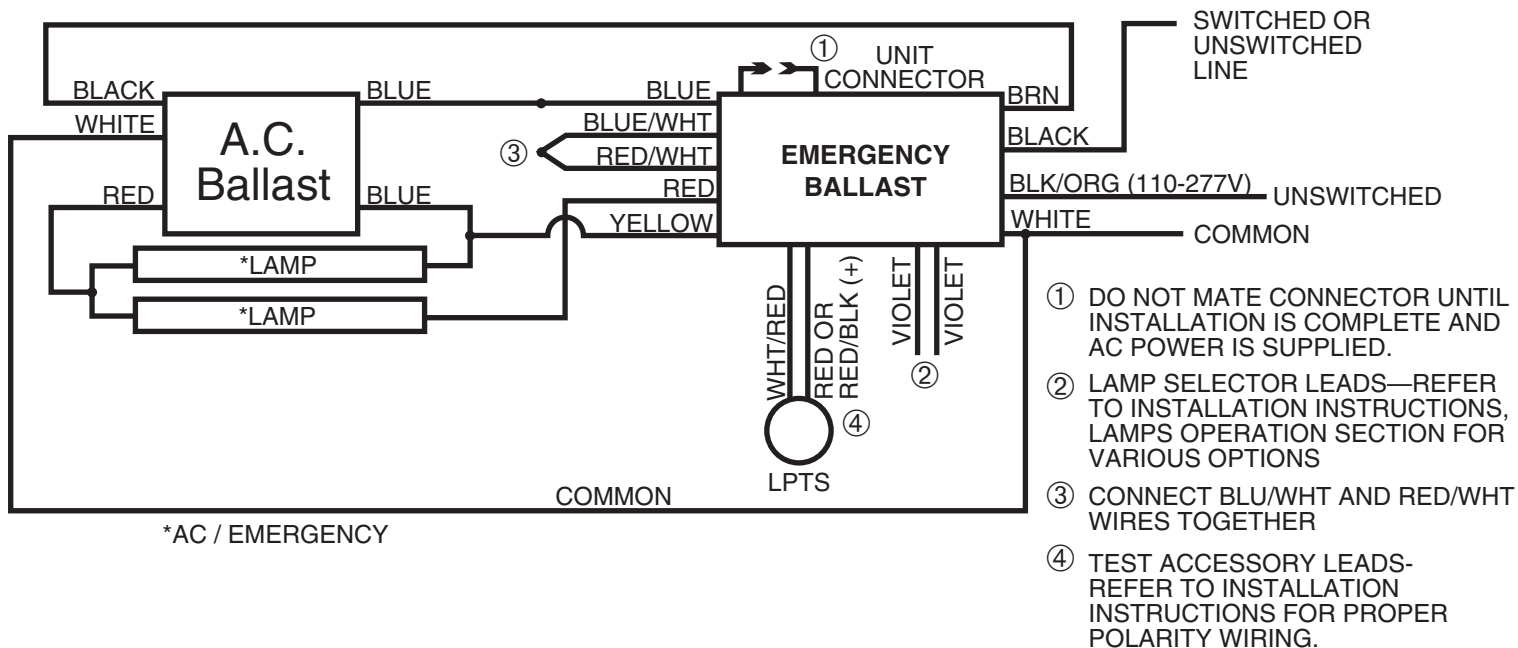
NISD80\_9

### NOTES

# AB10

# AB10

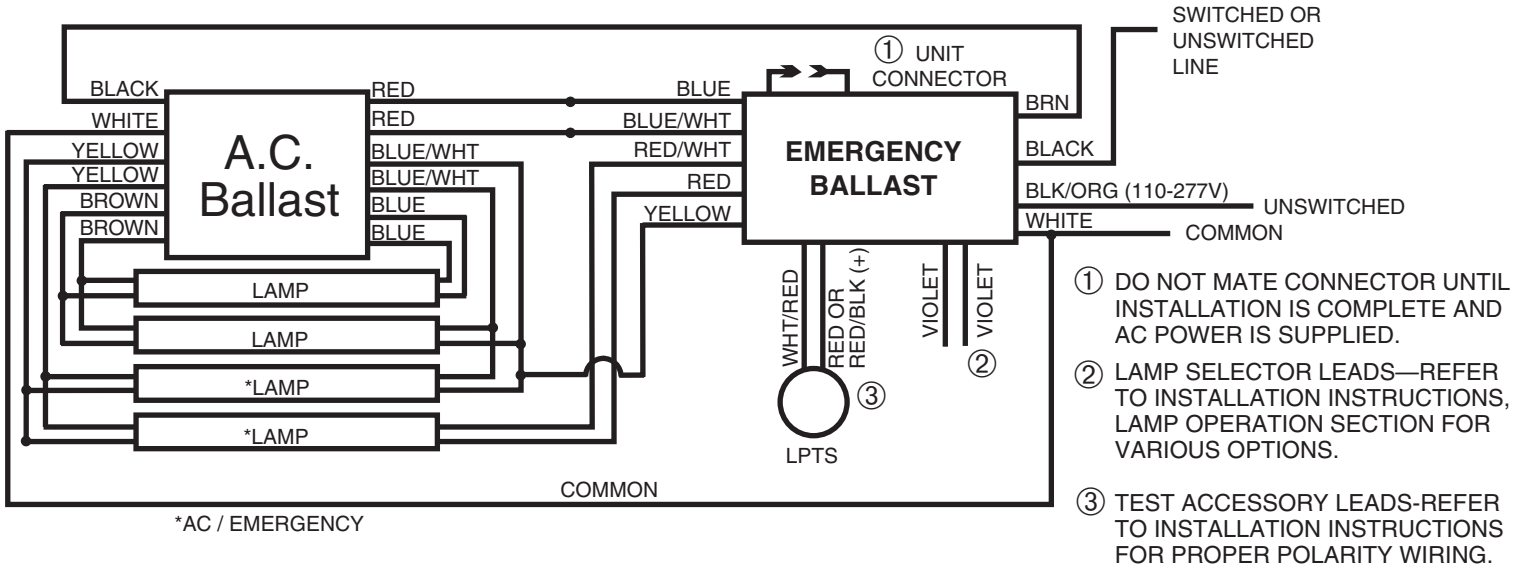
## TWO LAMP INSTANT START BALLAST W/ TWO LAMP EMERGENCY OPERATION



NISD80\_10

### NOTES

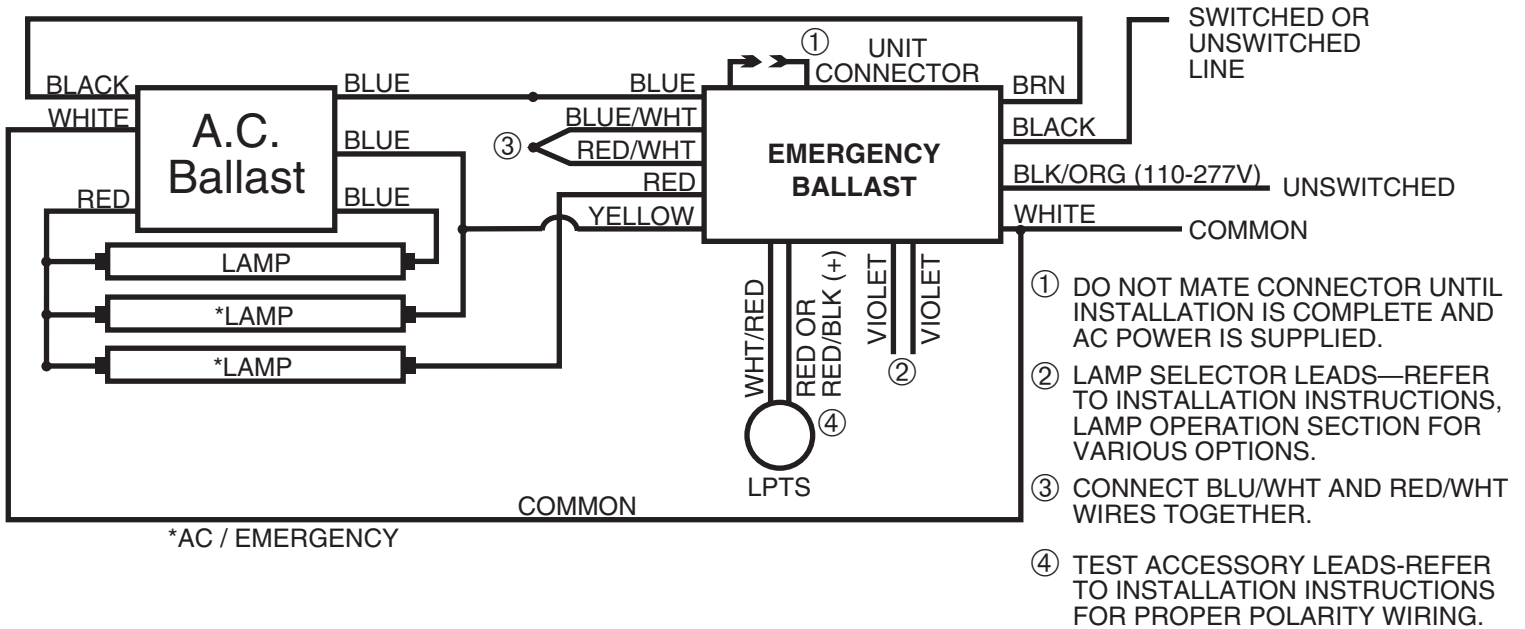
## FOUR LAMP RAPID START BALLAST WITH TWO LAMP EMERGENCY OPERATION



NISD80\_11

### NOTES

## THREE LAMP INSTANT START BALLAST TWO LAMP EMERGENCY OPERATION



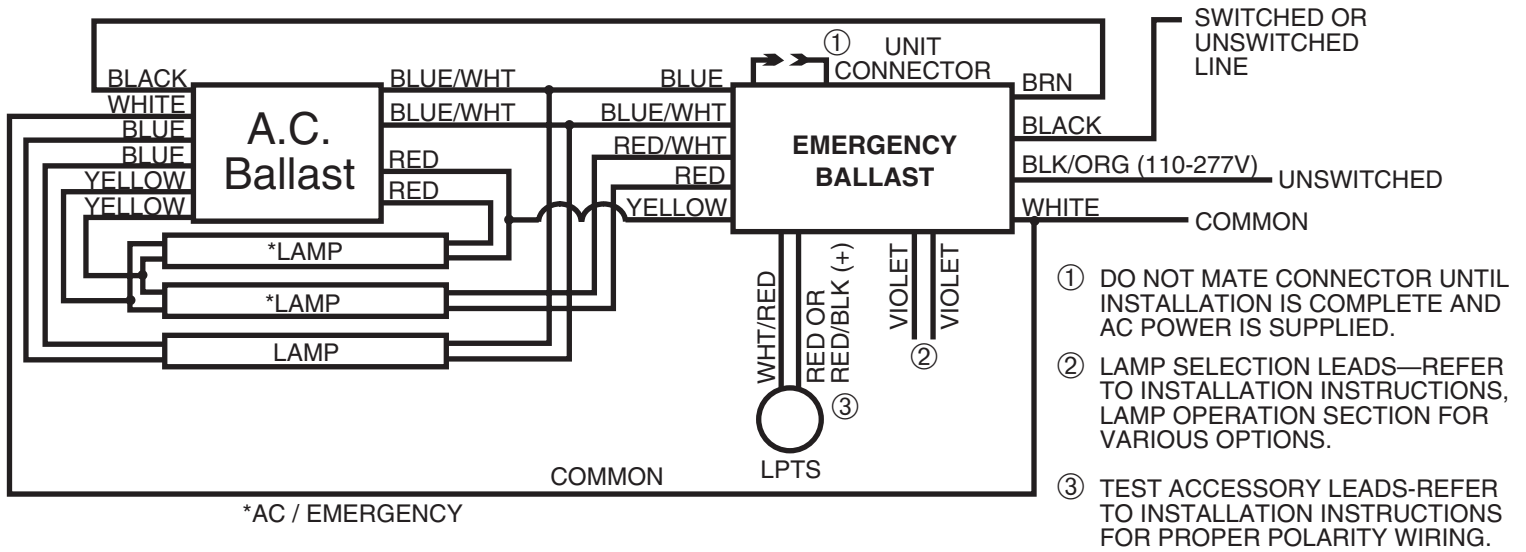
NISD80\_12

### NOTES

Blank area for notes.



## THREE LAMP RAPID START BALLAST TWO LAMP EMERGENCY OPERATION

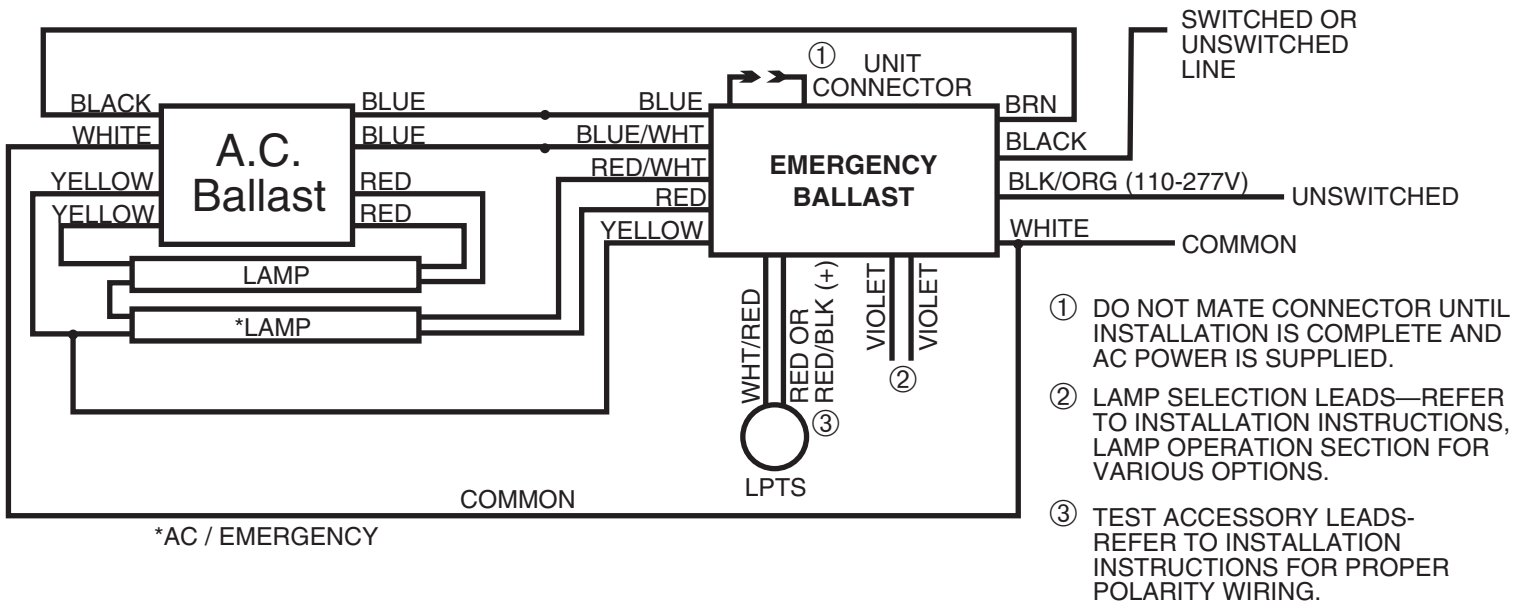


NISD80\_13

### NOTES

Blank area for notes.

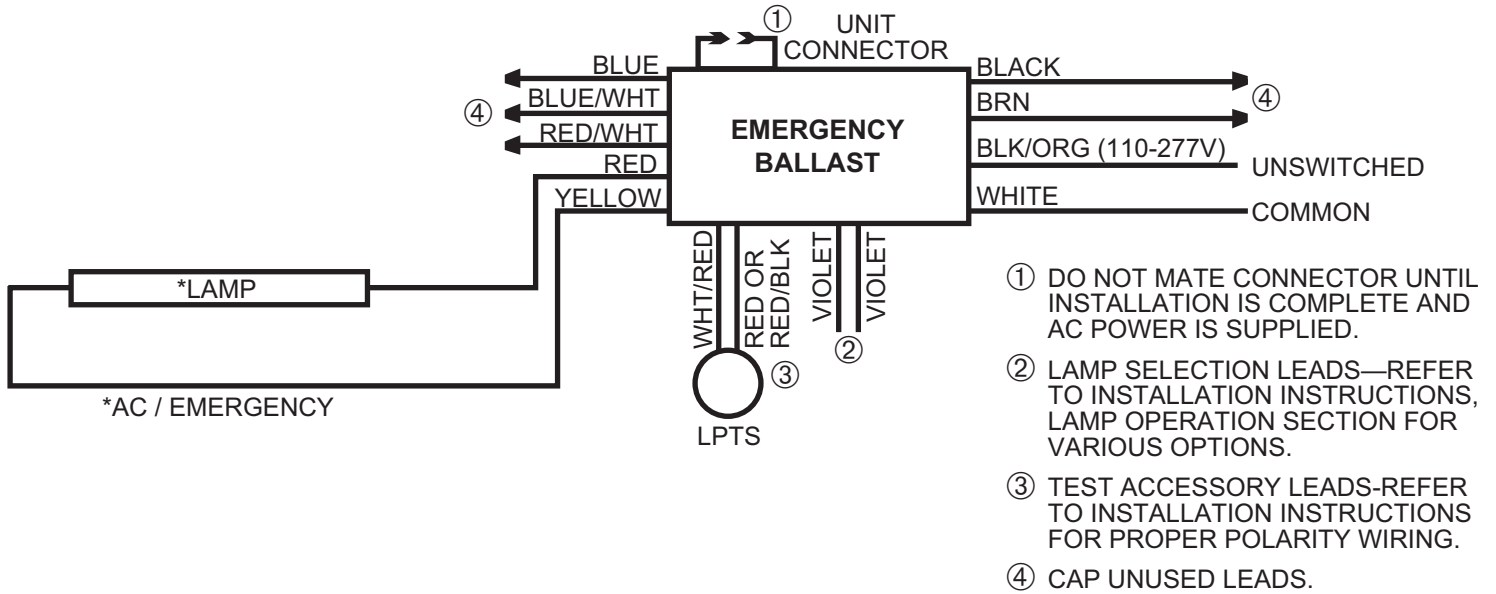
## TWO LAMP RAPID START BALLAST



NISD80\_14

### NOTES

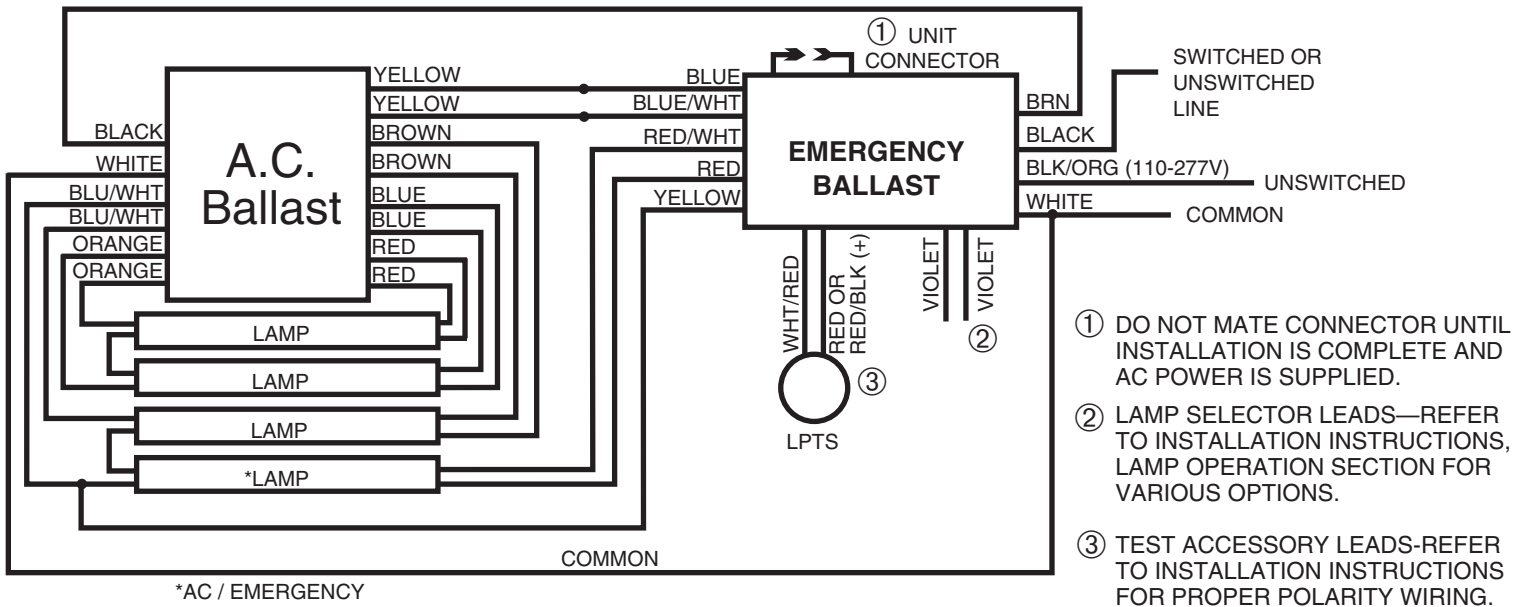
## ONE LAMP EMERGENCY ONLY



NISD80\_15

### NOTES

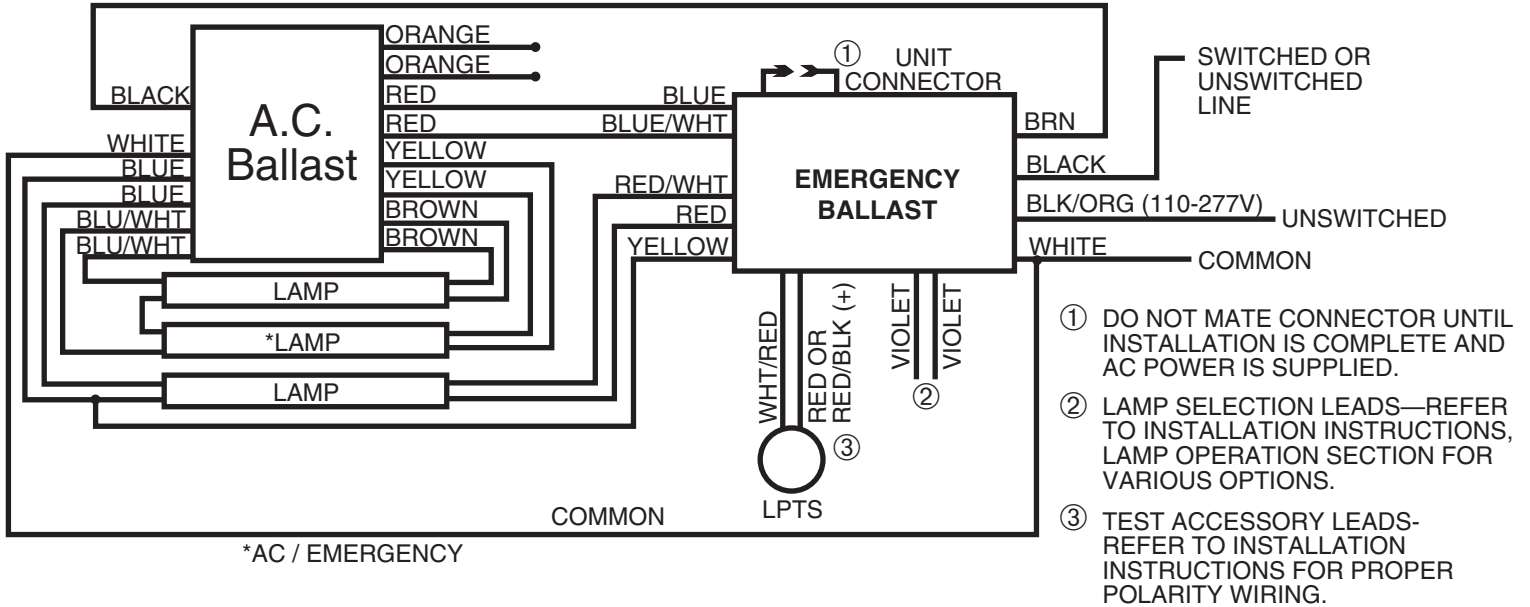
## FOUR LAMP RAPID START BALLAST



NISD80\_16

### NOTES

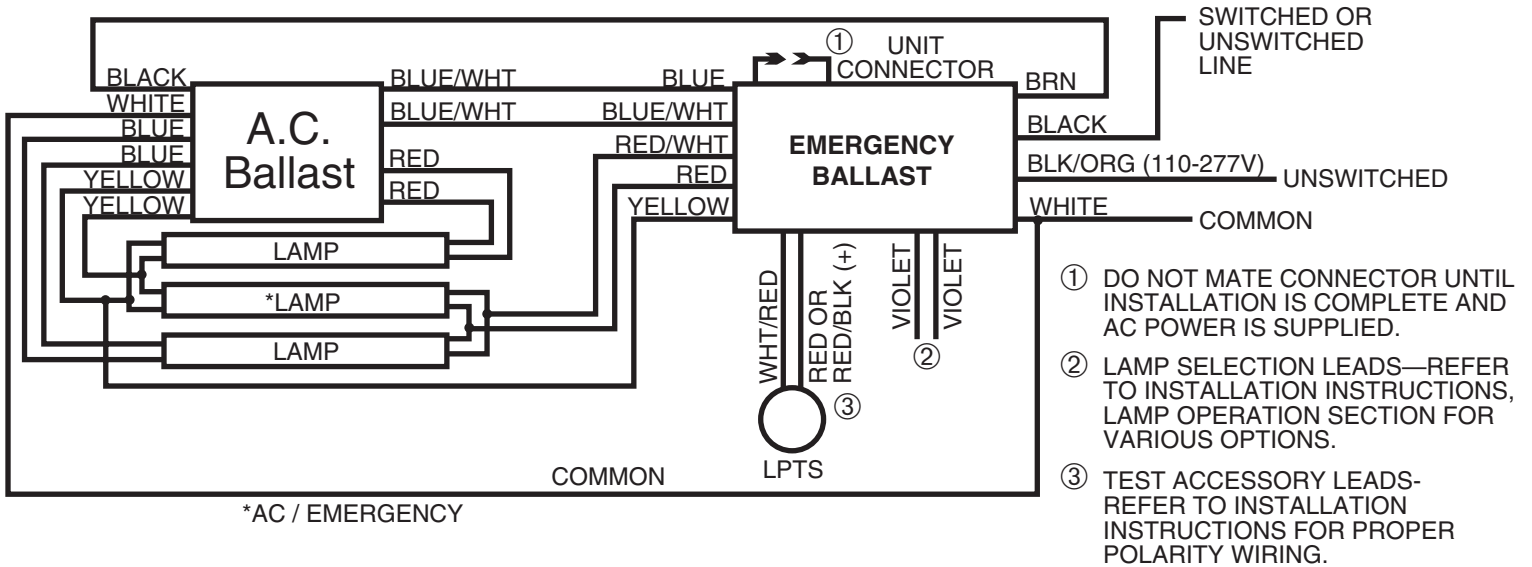
## THREE LAMP RAPID START BALLAST



NISD80\_17

### NOTES

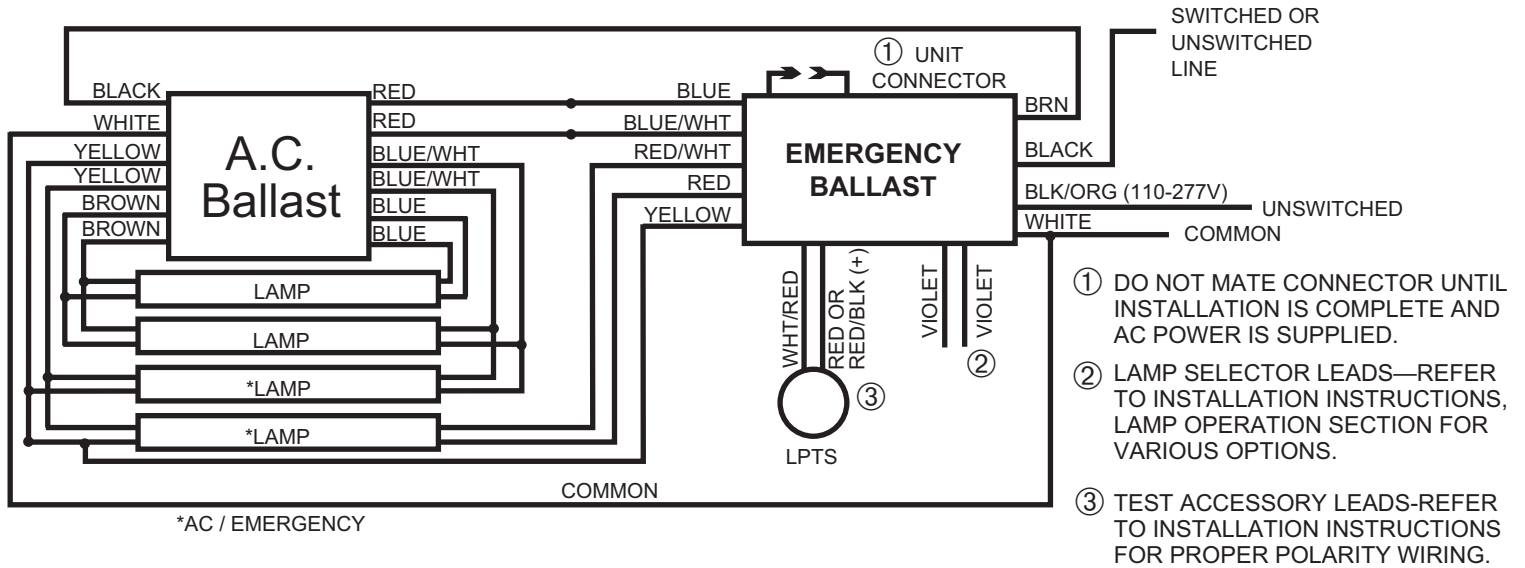
## THREE LAMP RAPID START BALLAST



NISD80\_18

### NOTES

## FOUR LAMP RAPID START BALLAST WITH TWO LAMP EMERGENCY OPERATION



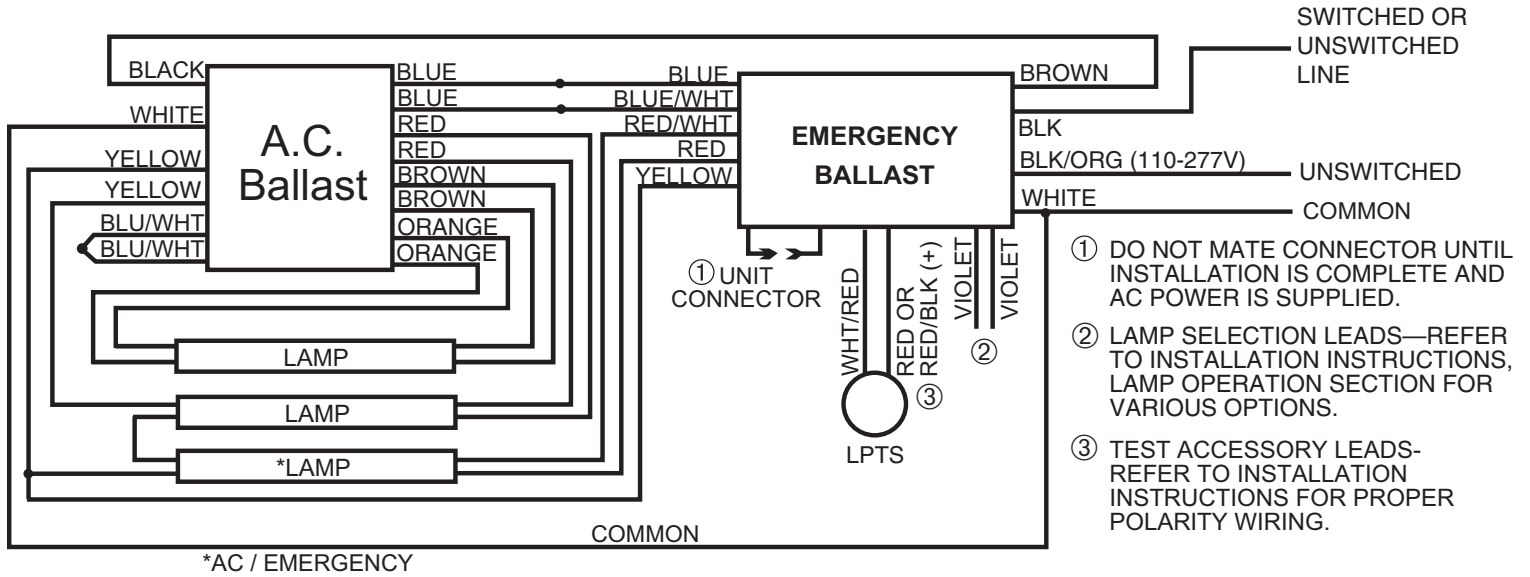
NISD80\_19

### NOTES

# AB20

# AB20

## THREE LAMP RAPID START BALLAST

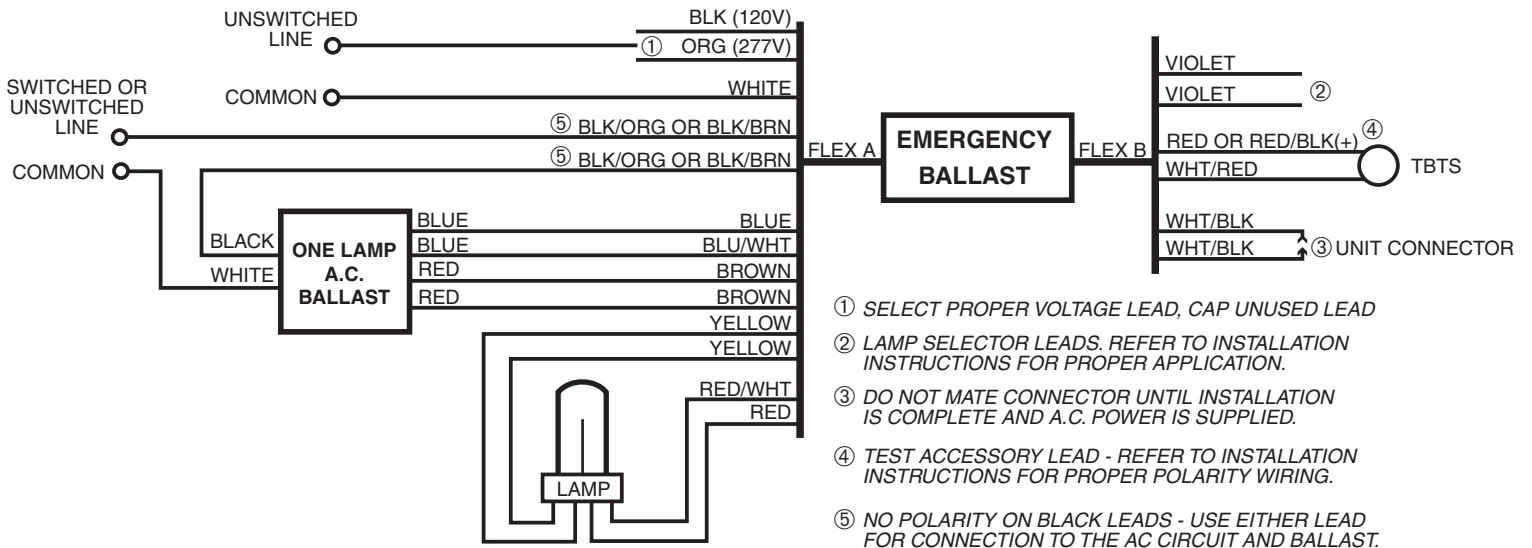


NISD80\_20

## NOTES



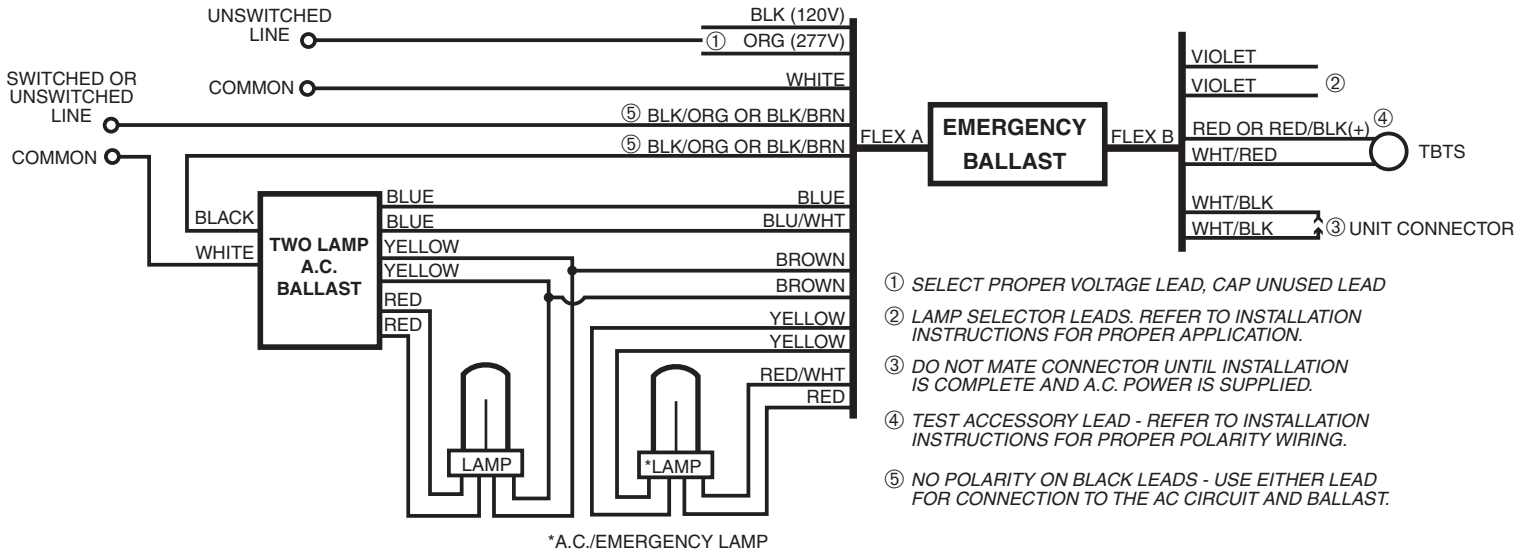
## ONE LAMP RAPID START BALLAST



1LRSB42A\_AC

### NOTES

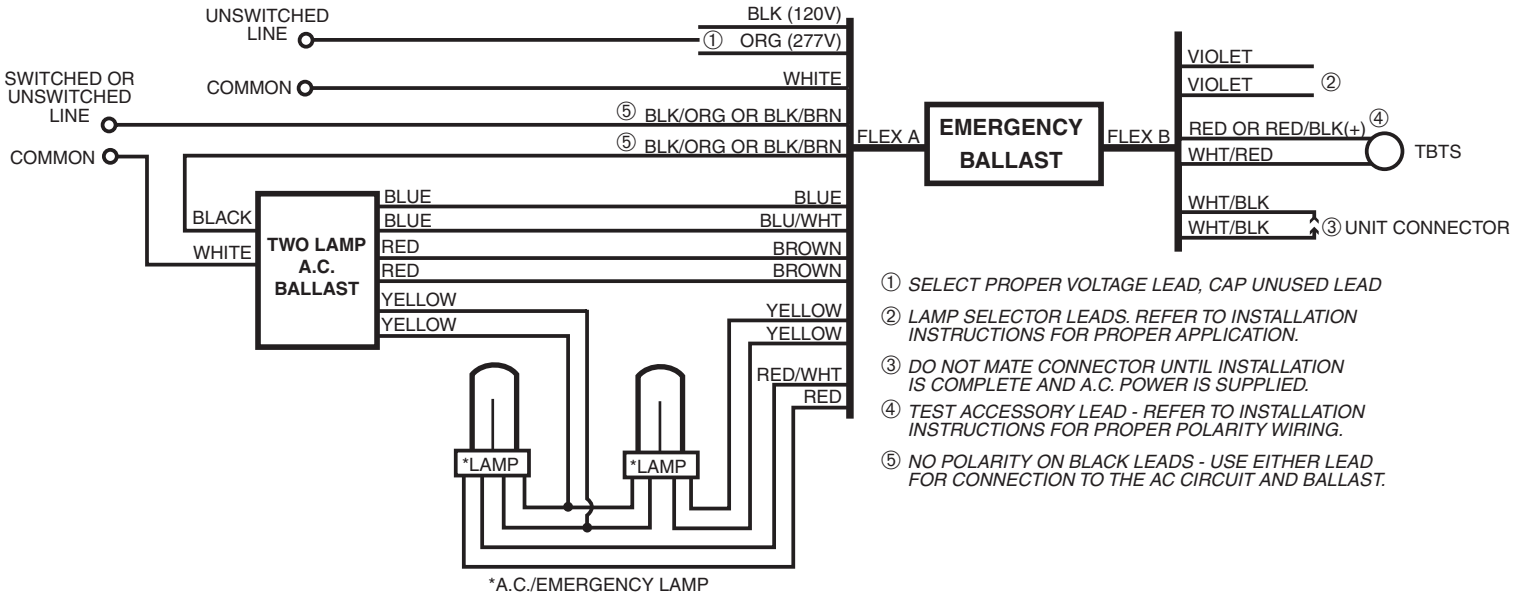
## TWO LAMP RAPID START BALLAST



2LRSB42A\_AC

### NOTES

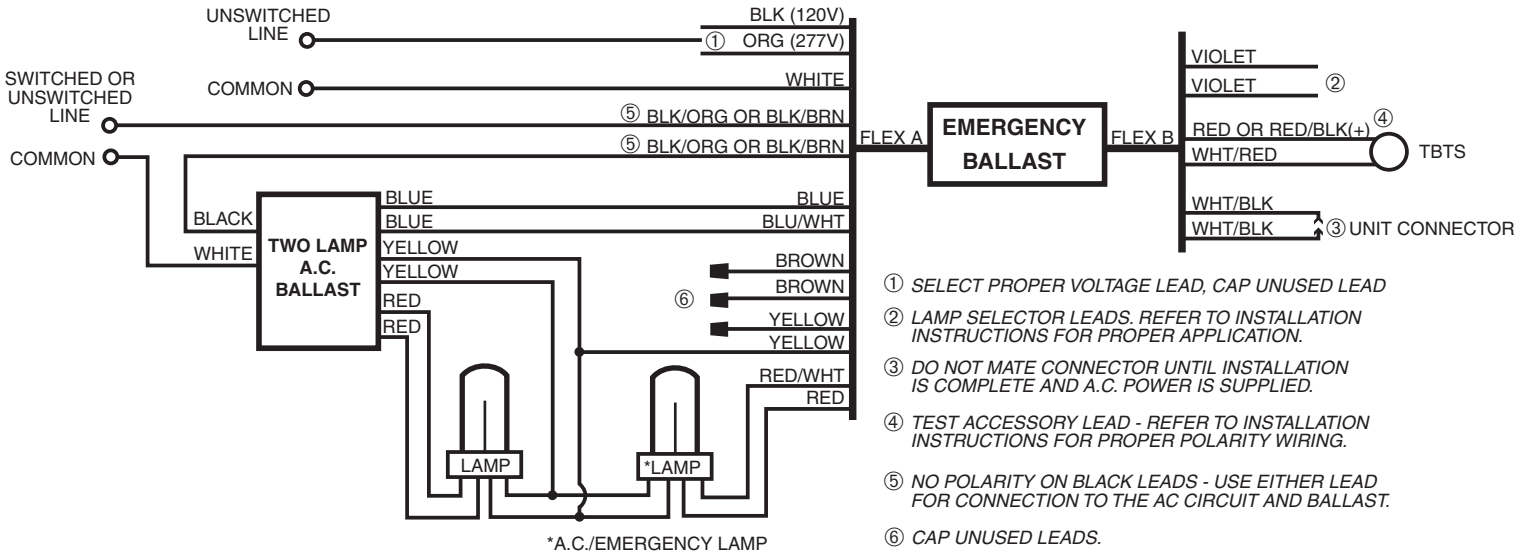
## TWO LAMP RAPID START BALLAST TWO LAMP EMERGENCY OPERATION



2LRSB42A\_AC\_2LEO

### NOTES

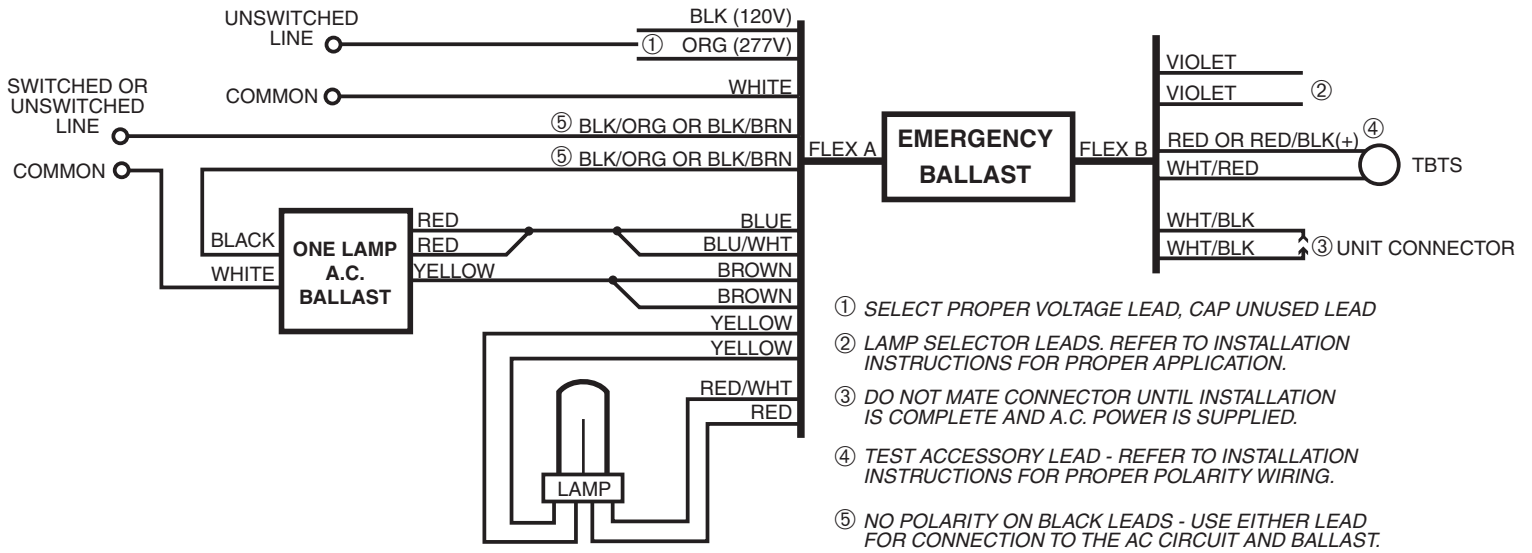
## TWO LAMP RAPID START BALLAST



2LRSB42A\_AC\_2

### NOTES

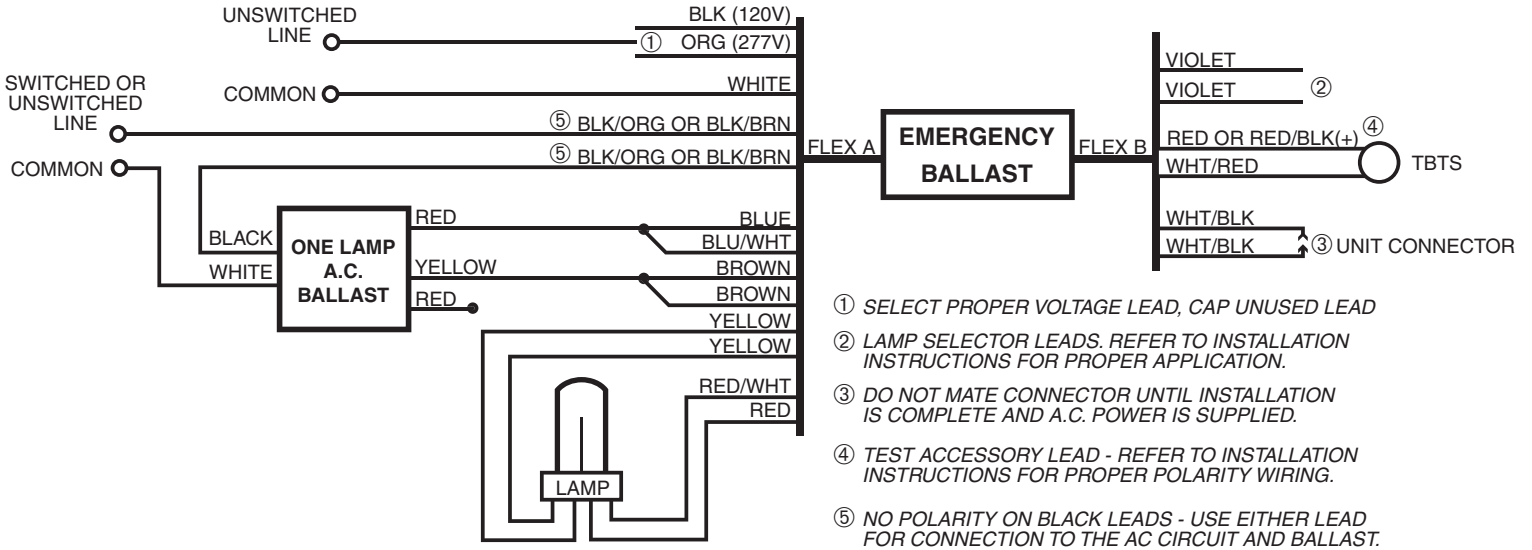
## ONE LAMP INSTANT START FULHAM BALLAST



1LRSB42A\_AC\_F

### NOTES

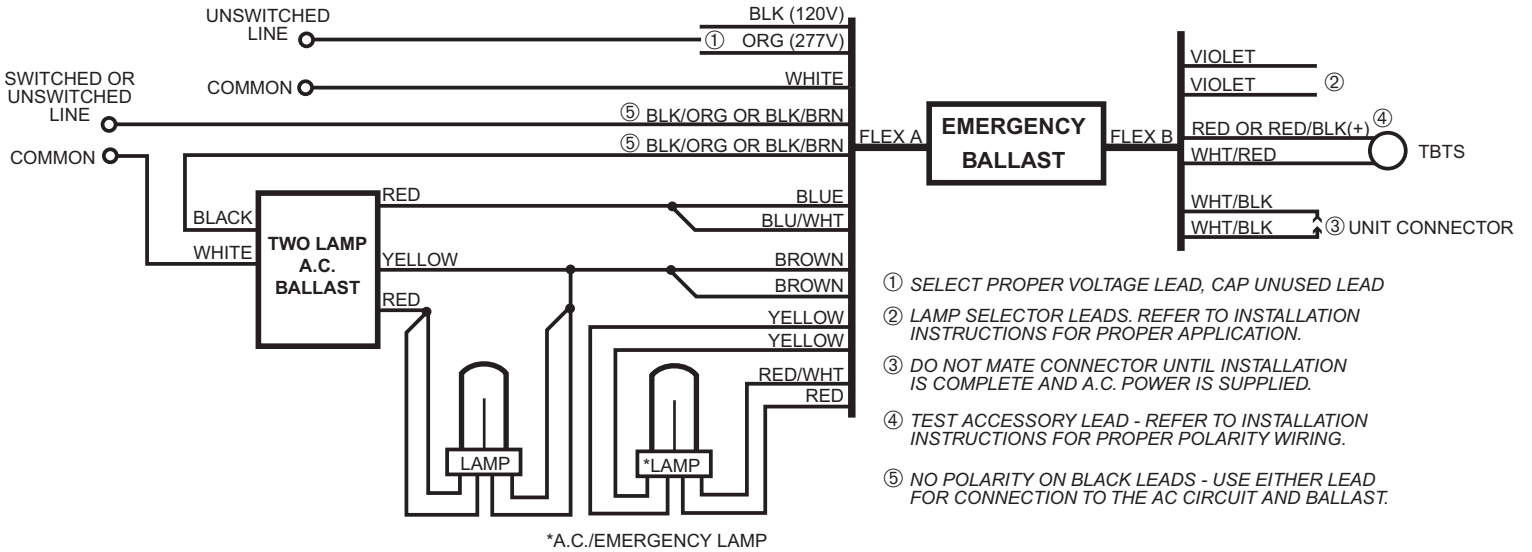
## ONE LAMP INSTANT START FULHAM BALLAST



1LRSB42A\_AC\_F\_2

### NOTES

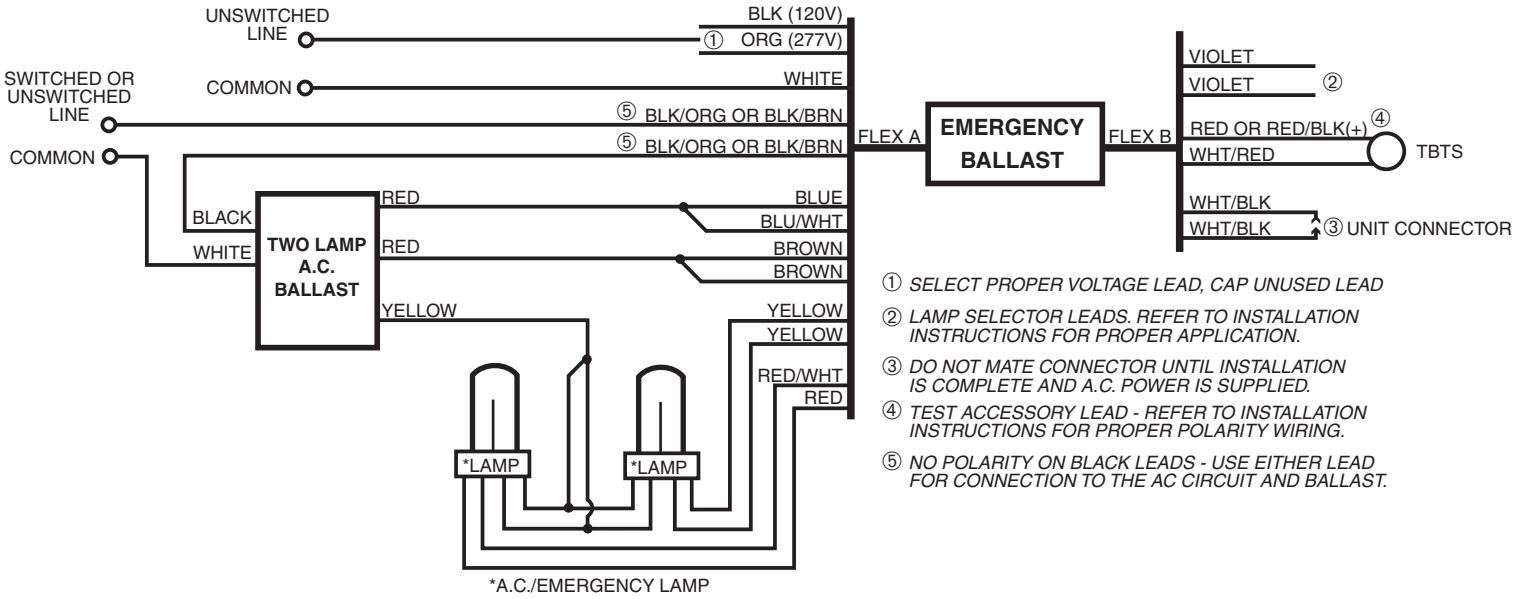
## TWO LAMP INSTANT START FULHAM BALLAST



2LRSB42A\_AC\_F

### NOTES

## TWO LAMP INSTANT START FULHAM BALLAST TWO LAMP EMERGENCY OPERATION

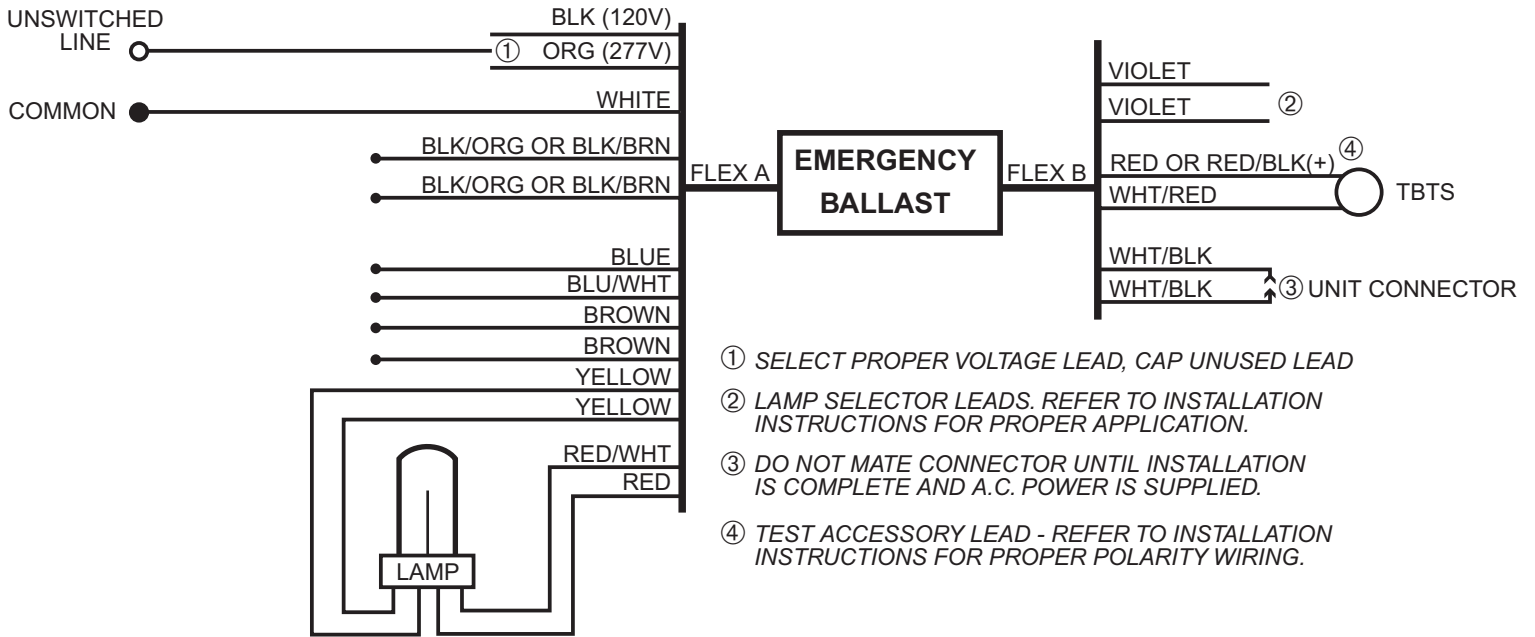


2LRSB42A\_AC\_2LEO\_F

### NOTES



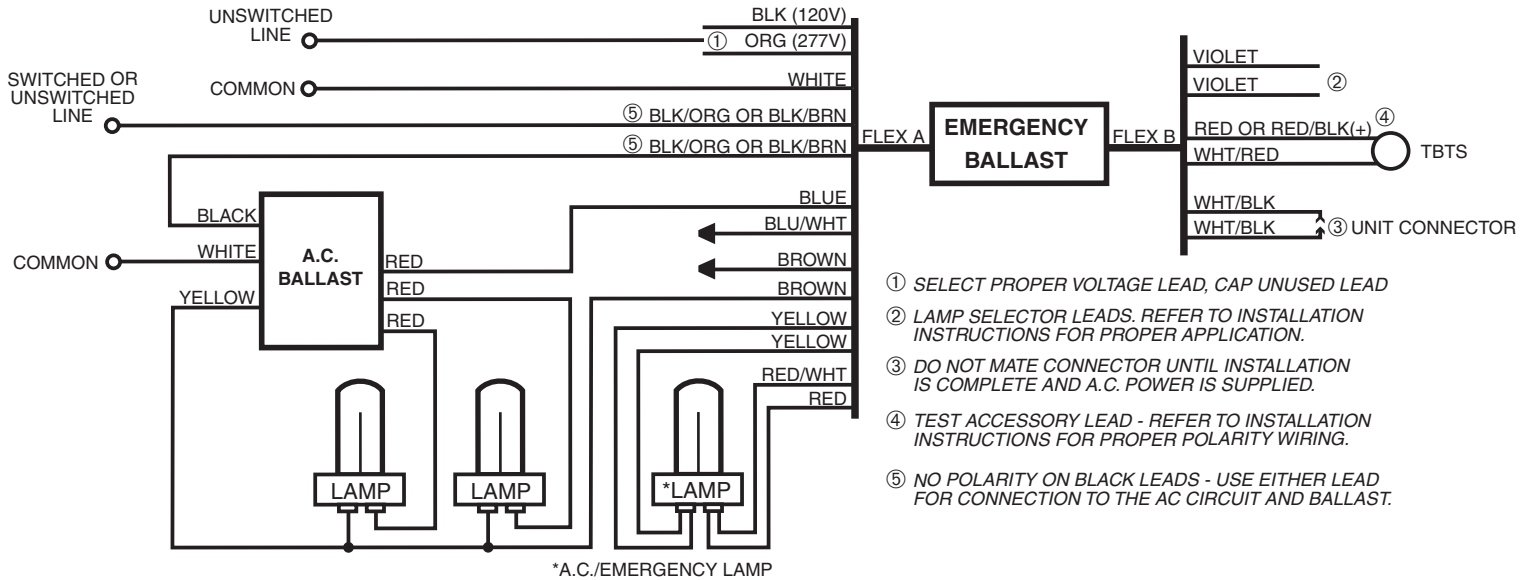
## ONE LAMP EMERGENCY ONLY



1LEO\_AC\_F

### NOTES

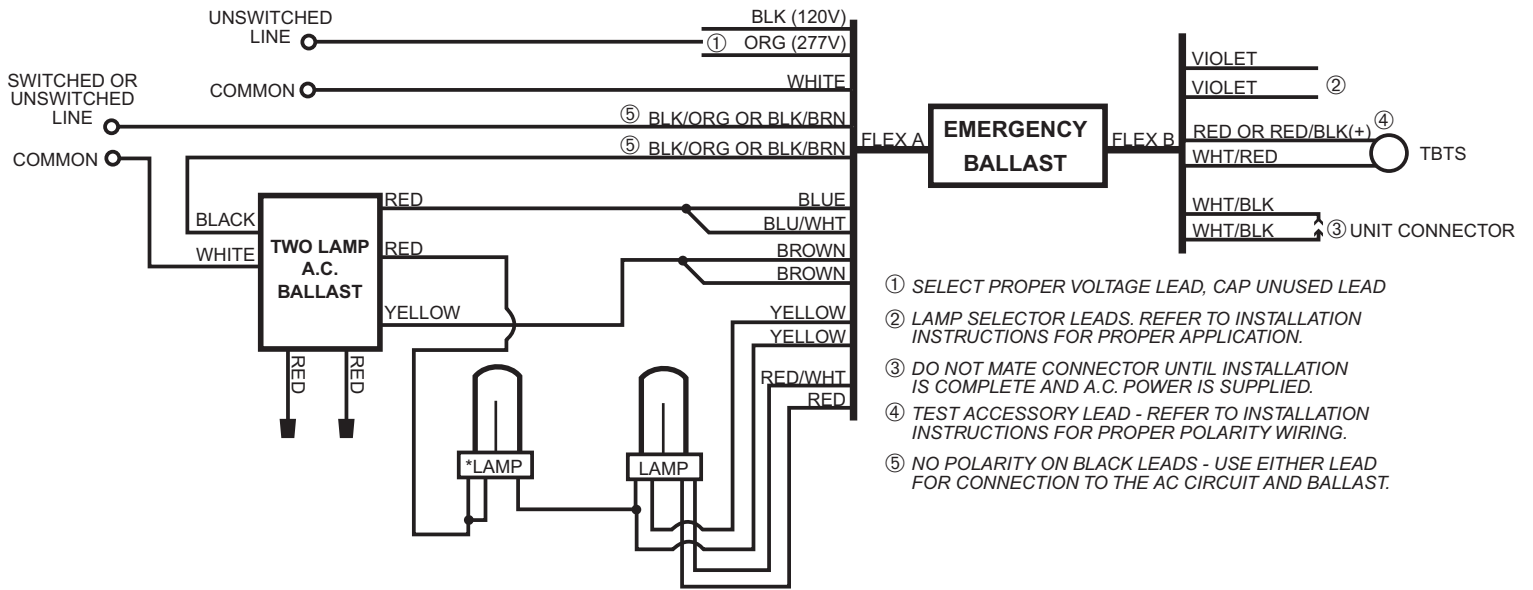
## THREE LAMP FULHAM BALLAST



3LISFB42A\_AC

### NOTES

## TWO LAMP INSTANT START FULHAM WORKHORSE III BALLAST



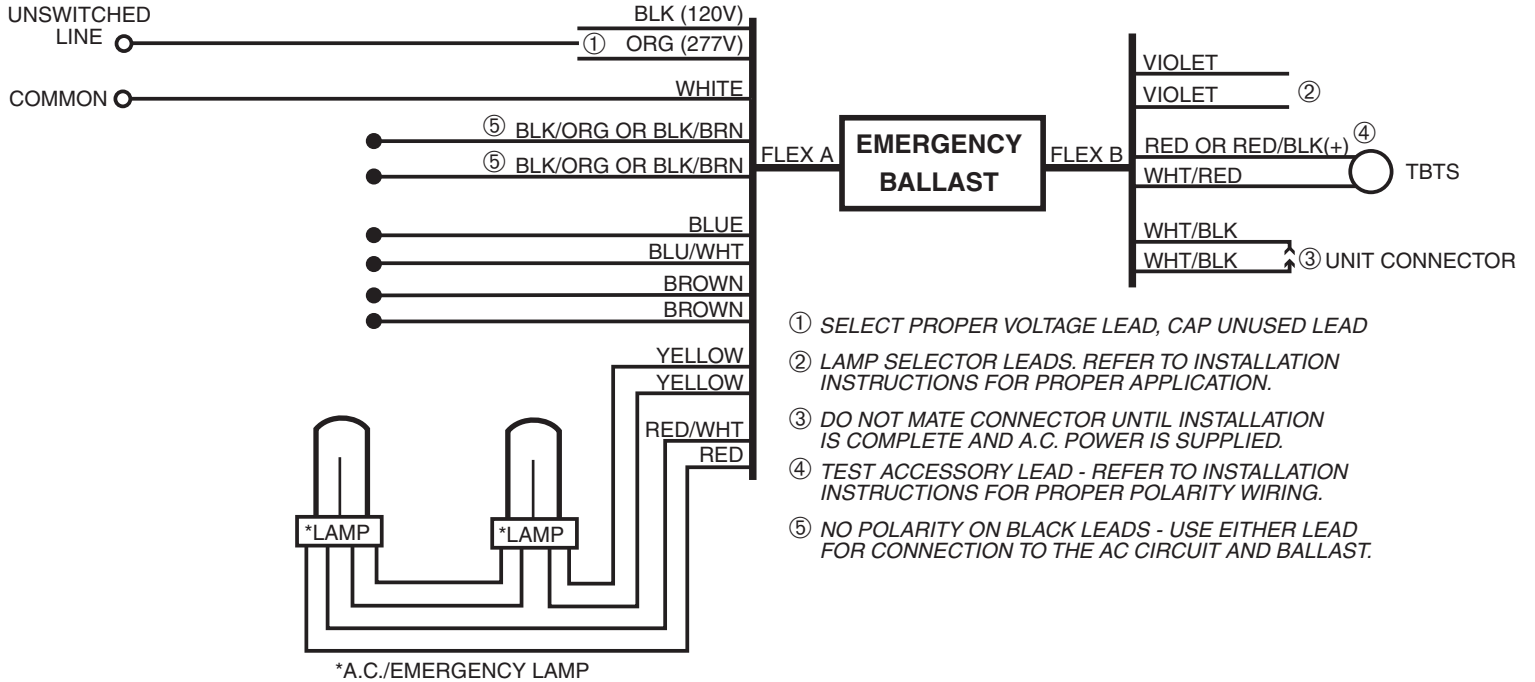
- ① SELECT PROPER VOLTAGE LEAD, CAP UNUSED LEAD
- ② LAMP SELECTOR LEADS. REFER TO INSTALLATION INSTRUCTIONS FOR PROPER APPLICATION.
- ③ DO NOT MATE CONNECTOR UNTIL INSTALLATION IS COMPLETE AND A.C. POWER IS SUPPLIED.
- ④ TEST ACCESSORY LEAD - REFER TO INSTALLATION INSTRUCTIONS FOR PROPER POLARITY WIRING.
- ⑤ NO POLARITY ON BLACK LEADS - USE EITHER LEAD FOR CONNECTION TO THE AC CIRCUIT AND BALLAST.

\*A.C./EMERGENCY LAMP

2LRSB42A\_AC\_2LEO\_F\_2

### NOTES

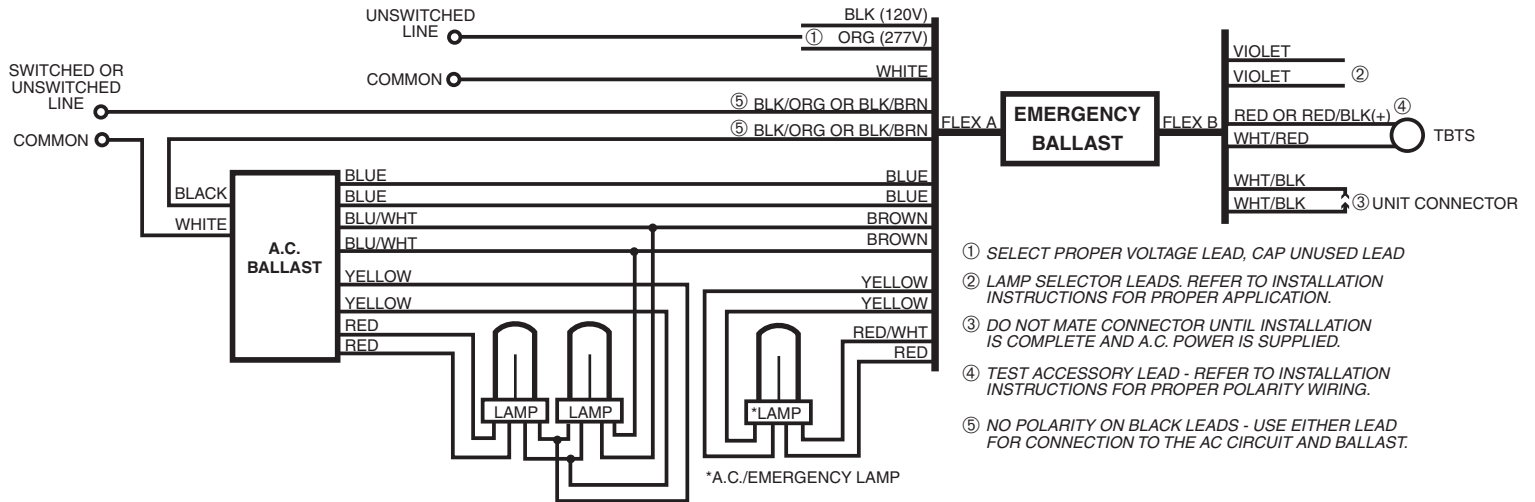
## TWO LAMP EMERGENCY OPERATION ONLY



2LRSB42A\_AC\_2LEO\_2

### NOTES

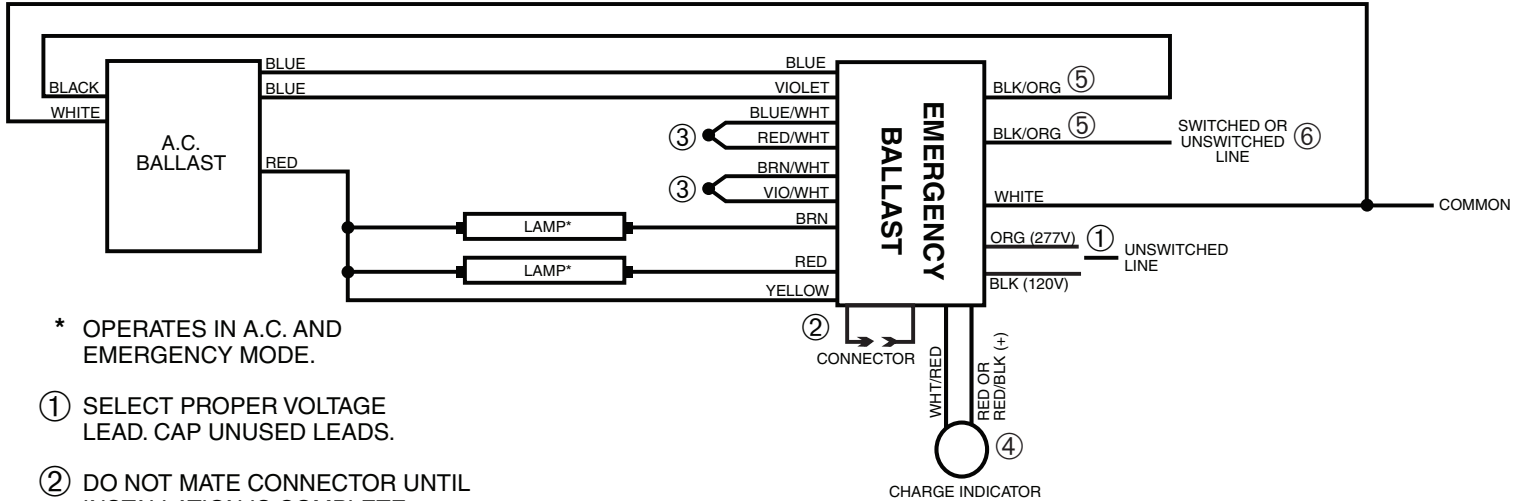
## THREE LAMP RAPID START BALLAST



3LRSB42A\_AC

### NOTES

## TWO LAMP INSTANT START BALLAST



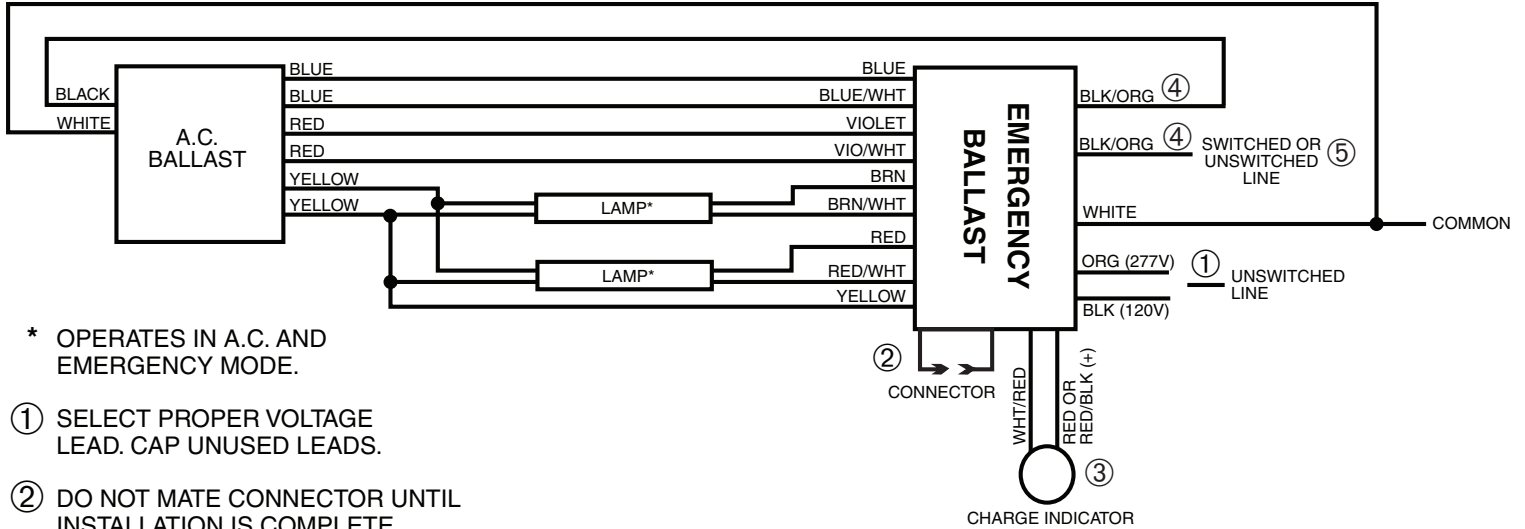
\* OPERATES IN A.C. AND EMERGENCY MODE.

- ① SELECT PROPER VOLTAGE LEAD. CAP UNUSED LEADS.
- ② DO NOT MATE CONNECTOR UNTIL INSTALLATION IS COMPLETE AND A.C. POWER IS SUPPLIED.
- ③ PIGTAIL LEADS TOGETHER.
- ④ TEST ACCESSORY LEADS - REFER TO INSTALLATION INSTRUCTIONS FOR PROPER POLARITY LEAD WIRING.
- ⑤ NO POLARITY ON BLK/ORG LEADS.
- ⑥ SWITCHED OR UNSWITCHED LINE- REFER TO INSTALLATION MANUAL FOR HOT AND TEST SWITCH PLACEMENT.

2LISB\_232\_D

### NOTES

## TWO LAMP RAPID START BALLAST



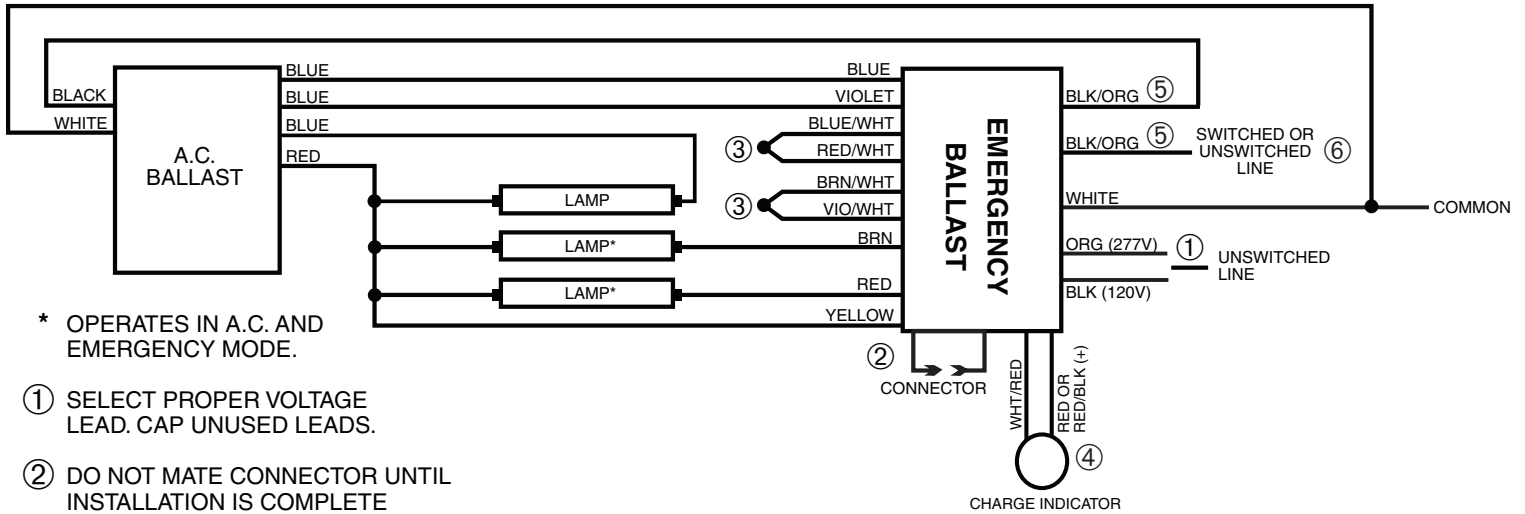
\* OPERATES IN A.C. AND EMERGENCY MODE.

- ① SELECT PROPER VOLTAGE LEAD. CAP UNUSED LEADS.
- ② DO NOT MATE CONNECTOR UNTIL INSTALLATION IS COMPLETE AND A.C. POWER IS SUPPLIED.
- ③ TEST ACCESSORY LEADS - REFER TO INSTALLATION INSTRUCTIONS FOR PROPER POLARITY LEAD WIRING.
- ④ NO POLARITY ON BLK/ORG LEADS.
- ⑤ SWITCHED OR UNSWITCHED LINE- REFER TO INSTALLATION MANUAL FOR HOT AND TEST SWITCH PLACEMENT.

2LRSB\_232\_D

### NOTES

## THREE LAMP INSTANT START BALLAST



\* OPERATES IN A.C. AND EMERGENCY MODE.

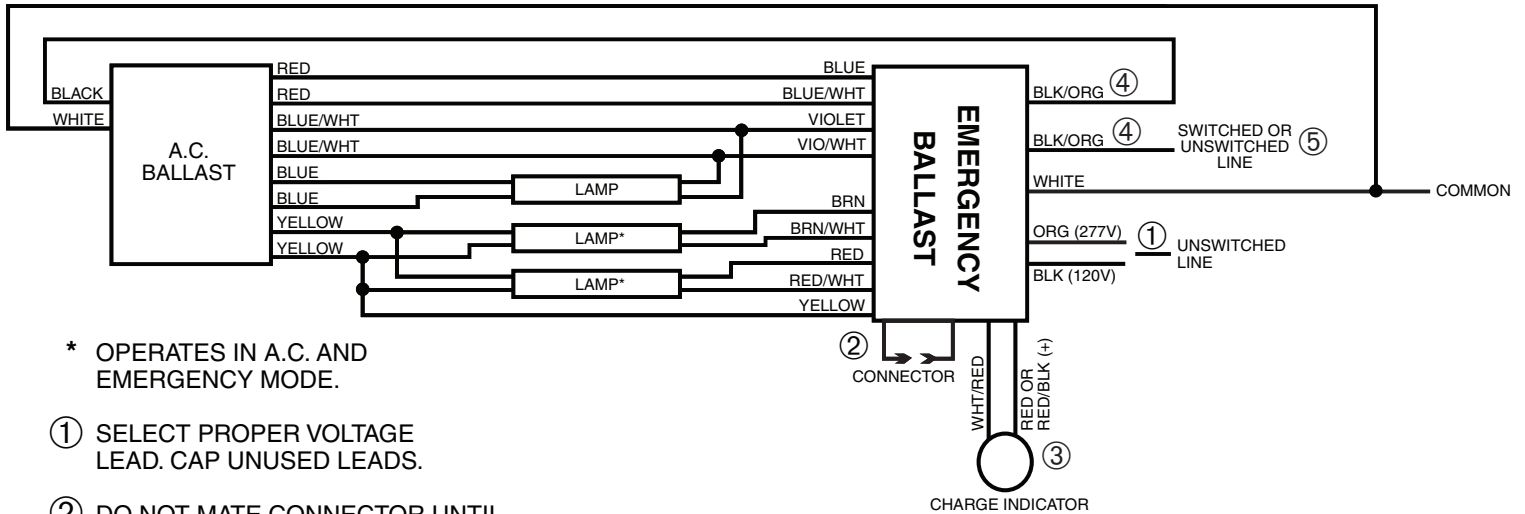
- ① SELECT PROPER VOLTAGE LEAD. CAP UNUSED LEADS.
- ② DO NOT MATE CONNECTOR UNTIL INSTALLATION IS COMPLETE AND A.C. POWER IS SUPPLIED.
- ③ PIGTAIL LEADS TOGETHER.
- ④ TEST ACCESSORY LEADS - REFER TO INSTALLATION INSTRUCTIONS FOR PROPER POLARITY LEAD WIRING.
- ⑤ NO POLARITY ON BLK/ORG LEADS.
- ⑥ SWITCHED OR UNSWITCHED LINE- REFER TO INSTALLATION MANUAL FOR HOT AND TEST SWITCH PLACEMENT.

3LISB\_232\_D

### NOTES



## THREE LAMP RAPID START BALLAST



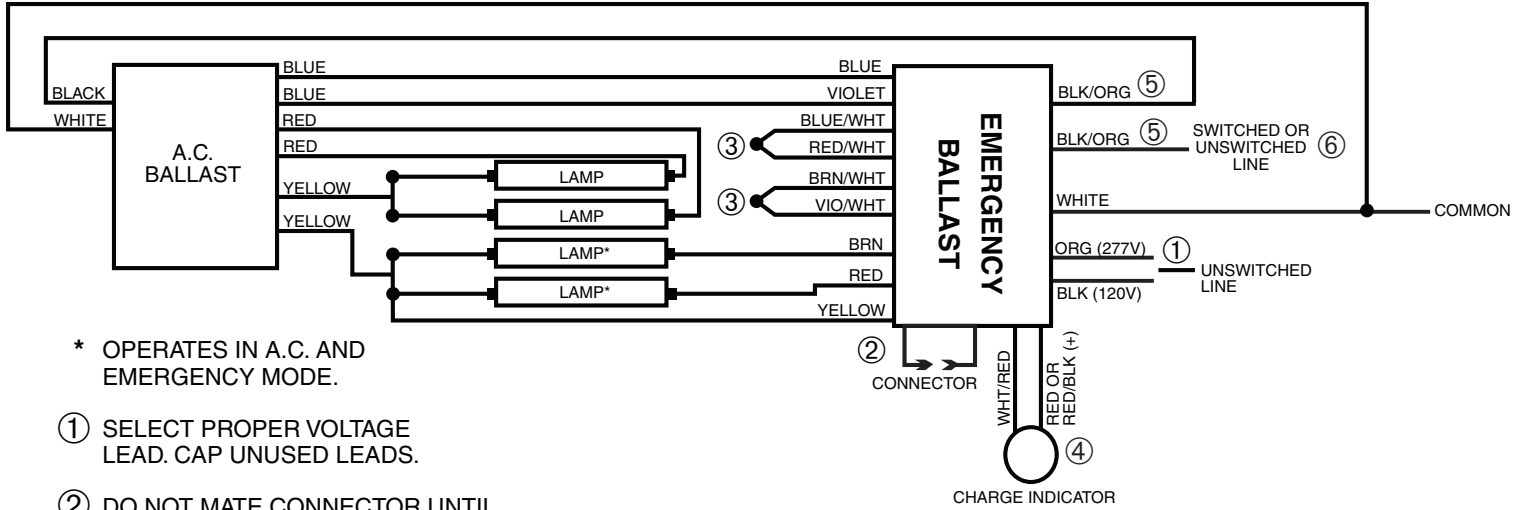
\* OPERATES IN A.C. AND EMERGENCY MODE.

- ① SELECT PROPER VOLTAGE LEAD. CAP UNUSED LEADS.
- ② DO NOT MATE CONNECTOR UNTIL INSTALLATION IS COMPLETE AND A.C. POWER IS SUPPLIED.
- ③ TEST ACCESSORY LEADS - REFER TO INSTALLATION INSTRUCTIONS FOR PROPER POLARITY LEAD WIRING.
- ④ NO POLARITY ON BLK/ORG LEADS.
- ⑤ SWITCHED OR UNSWITCHED LINE- REFER TO INSTALLATION MANUAL FOR HOT AND TEST SWITCH PLACEMENT.

3LRSB\_232\_D

### NOTES

## FOUR LAMP INSTANT START BALLAST



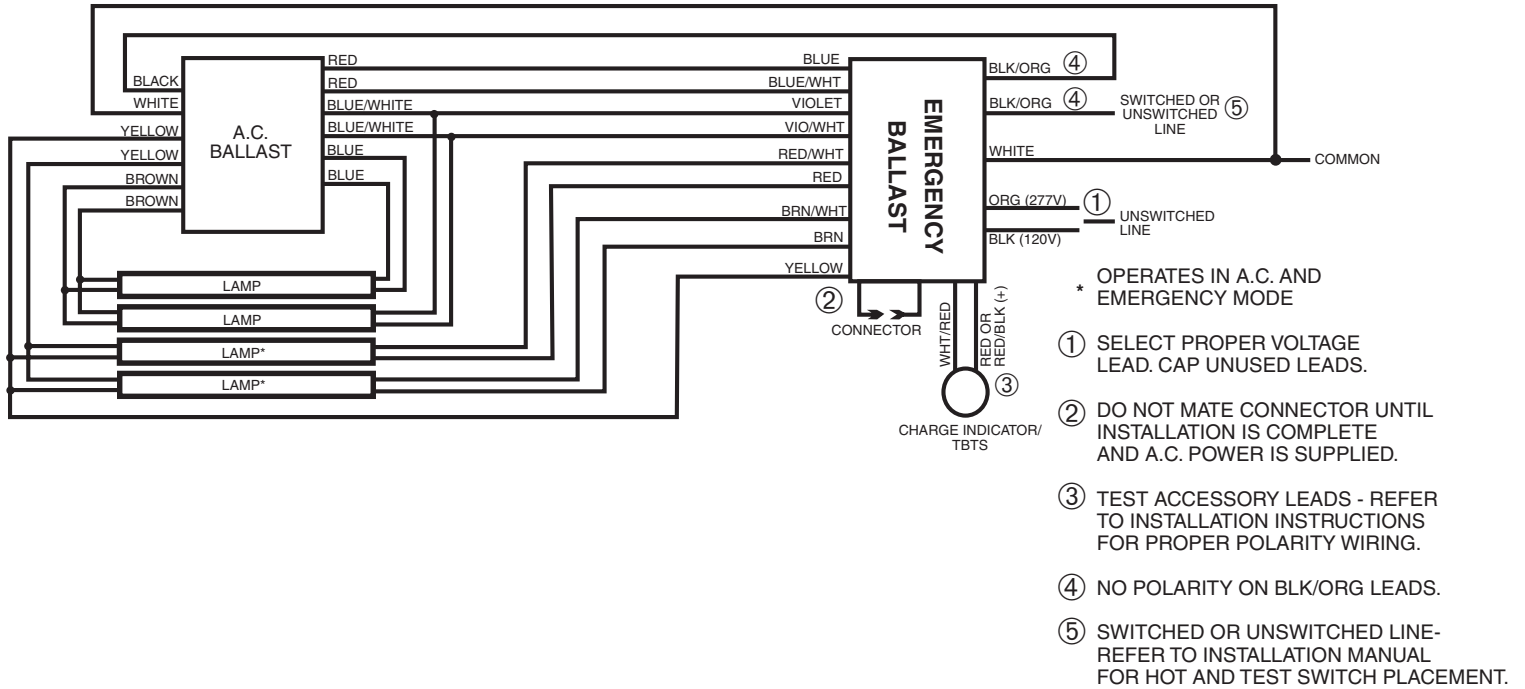
\* OPERATES IN A.C. AND EMERGENCY MODE.

- ① SELECT PROPER VOLTAGE LEAD. CAP UNUSED LEADS.
- ② DO NOT MATE CONNECTOR UNTIL INSTALLATION IS COMPLETE AND A.C. POWER IS SUPPLIED.
- ③ PIGTAIL LEADS TOGETHER.
- ④ TEST ACCESSORY LEADS - REFER TO INSTALLATION INSTRUCTIONS FOR PROPER POLARITY LEAD WIRING.
- ⑤ NO POLARITY ON BLK/ORG LEADS.
- ⑥ SWITCHED OR UNSWITCHED LINE- REFER TO INSTALLATION MANUAL FOR HOT AND TEST SWITCH PLACEMENT.

4LISB\_232\_D

### NOTES

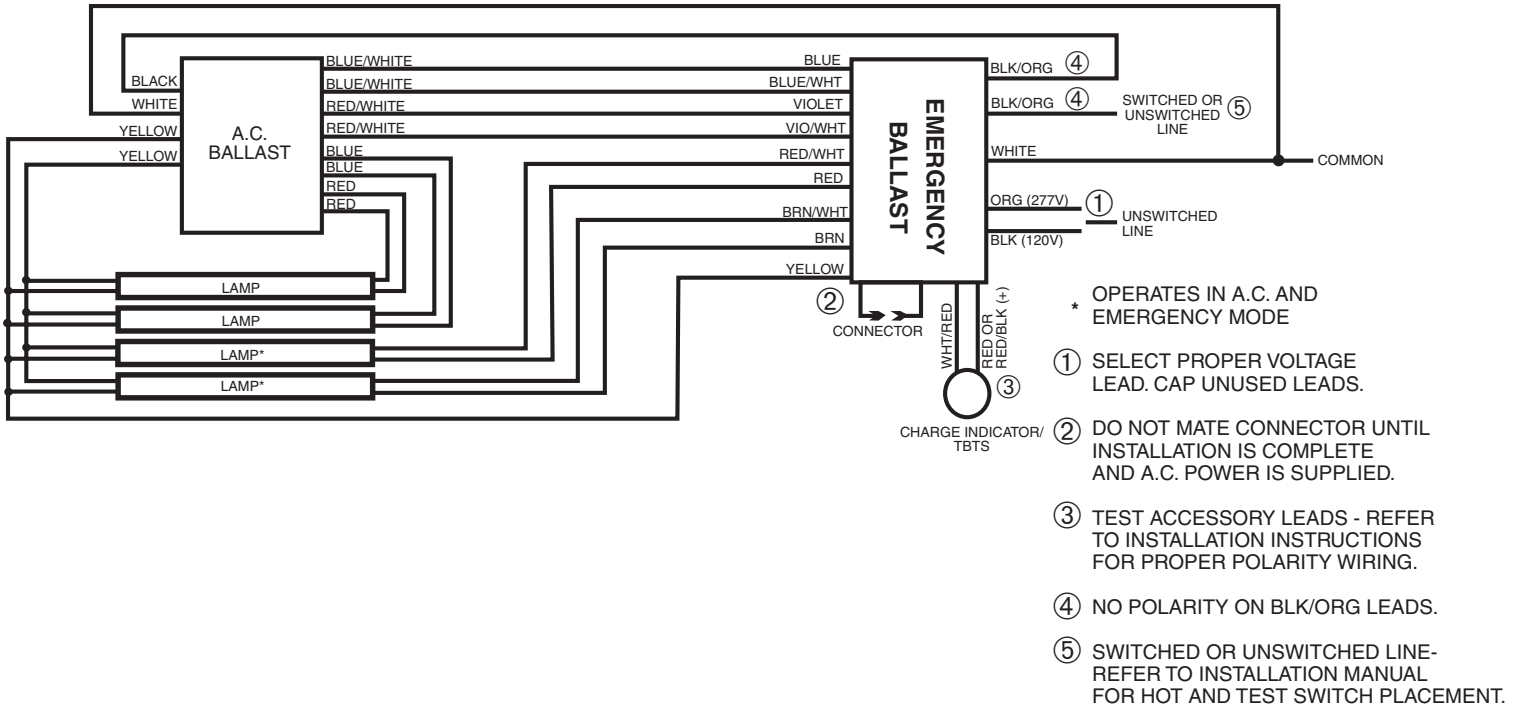
## FOUR LAMP RAPID START BALLAST



4LRSB\_232\_D

### NOTES

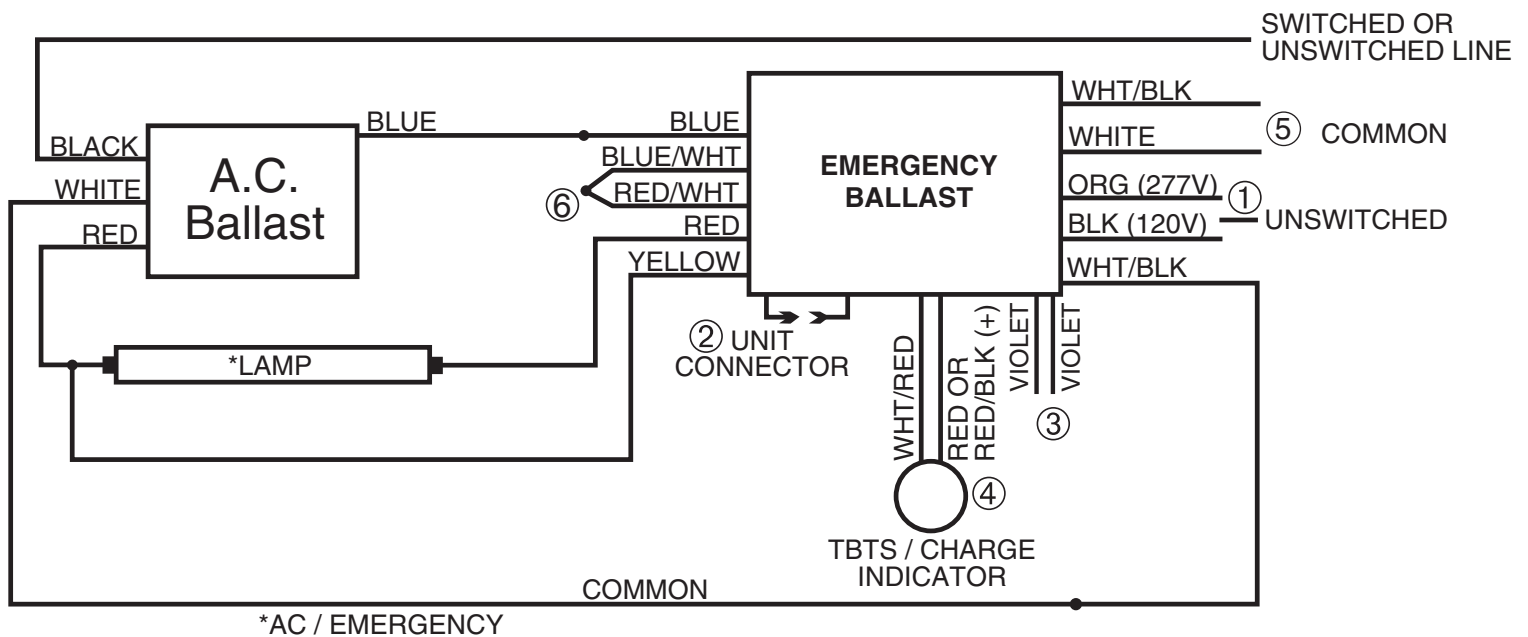
## FOUR LAMP RAPID START BALLAST



4LRSB\_232\_2\_D

### NOTES

## ONE LAMP INSTANT START BALLAST



- ① SELECT PROPER VOLTAGE LEAD. CAP UNUSED LEAD. REFER TO AC INPUT WIRING ON ILLUSTRATION 3 OF INSTALLATION MANUAL FOR PROPER INPUT CIRCUIT WIRING.
- ② DO NOT MATE CONNECTOR UNTIL INSTALLATION IS COMPLETE AND AC POWER IS SUPPLIED.

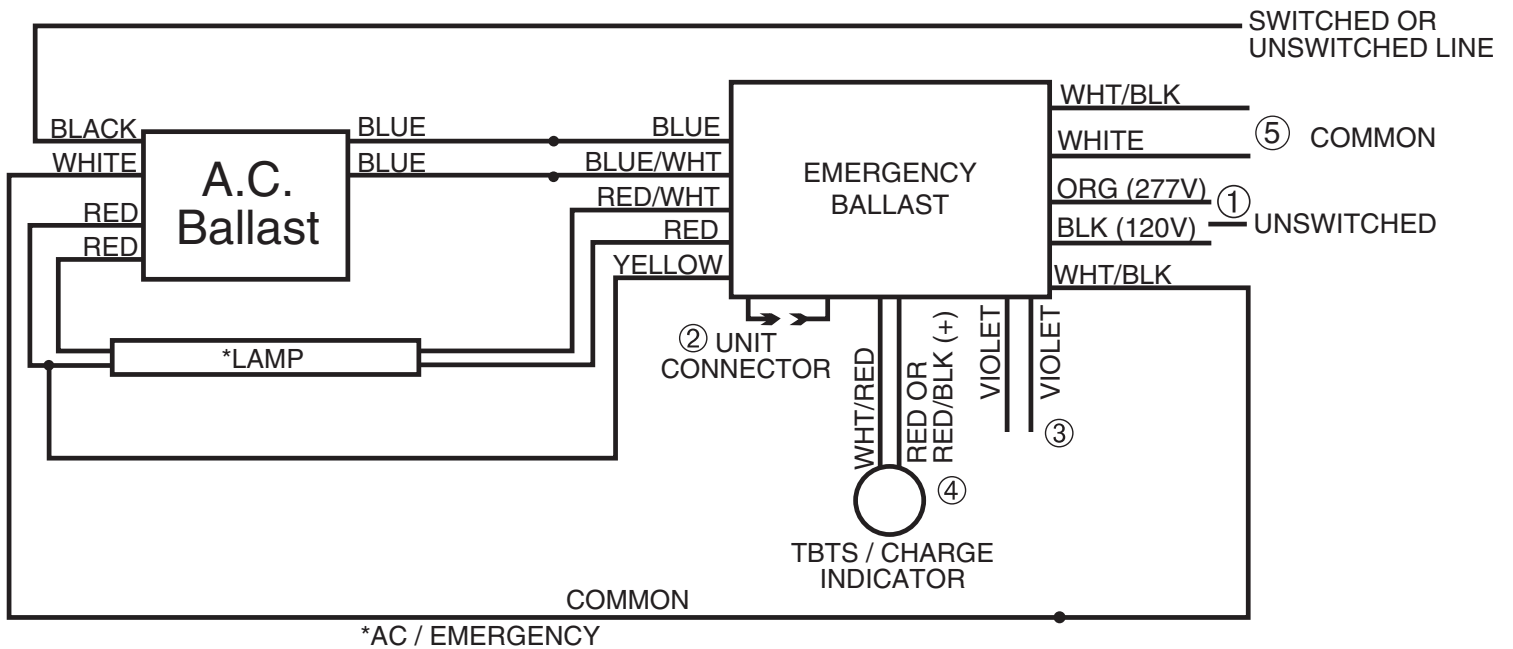
- ③ LAMP SELECTOR LEADS—REFER TO INSTALLATION INSTRUCTIONS, LAMPS OPERATION SECTION FOR VARIOUS OPTIONS
- ④ TEST ACCESSORY LEADS—REFER TO INSTALLATION INSTRUCTIONS FOR PROPER POLARITY WIRING.

- ⑤ USE EITHER WHT/BLK LEAD FOR WIRING THE COMMON. REFER TO AC INPUT WIRING ON ILLUSTRATION 3 OF INSTALLATION MANUAL.
- ⑥ CONNECT BLU/WHT AND RED/WHT WIRES TOGETHER

1LISB\_E

### NOTES

## ONE LAMP RAPID START BALLAST



① SELECT PROPER VOLTAGE LEAD. CAP UNUSED LEAD. REFER TO AC INPUT WIRING ON ILLUSTRATION 3 OF INSTALLATION MANUAL FOR PROPER INPUT CIRCUIT WIRING.

② DO NOT MATE CONNECTOR UNTIL INSTALLATION IS COMPLETE AND AC POWER IS SUPPLIED.

③ LAMP SELECTOR LEADS—REFER TO INSTALLATION INSTRUCTIONS, LAMPS OPERATION SECTION FOR VARIOUS OPTIONS

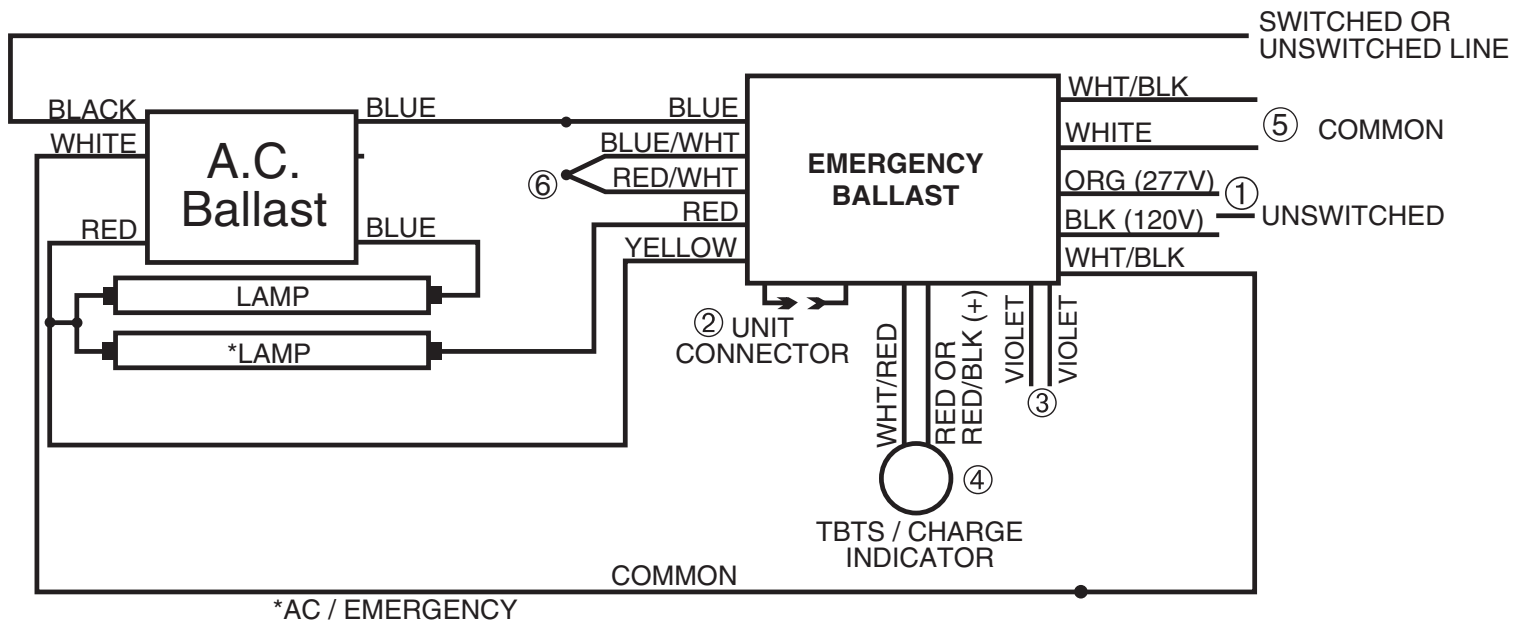
④ TEST ACCESSORY LEADS—REFER TO INSTALLATION INSTRUCTIONS FOR PROPER POLARITY WIRING.

⑤ USE EITHER WHT/BLK LEAD FOR WIRING THE COMMON. REFER TO AC INPUT WIRING ON ILLUSTRATION 3 OF INSTALLATION MANUAL.

1LRSB\_E

## NOTES

## TWO LAMP INSTANT START BALLAST



- ① SELECT PROPER VOLTAGE LEAD. CAP UNUSED LEAD. REFER TO AC INPUT WIRING ON ILLUSTRATION 3 OF INSTALLATION MANUAL FOR PROPER INPUT CIRCUIT WIRING.
- ② DO NOT MATE CONNECTOR UNTIL INSTALLATION IS COMPLETE AND AC POWER IS SUPPLIED.

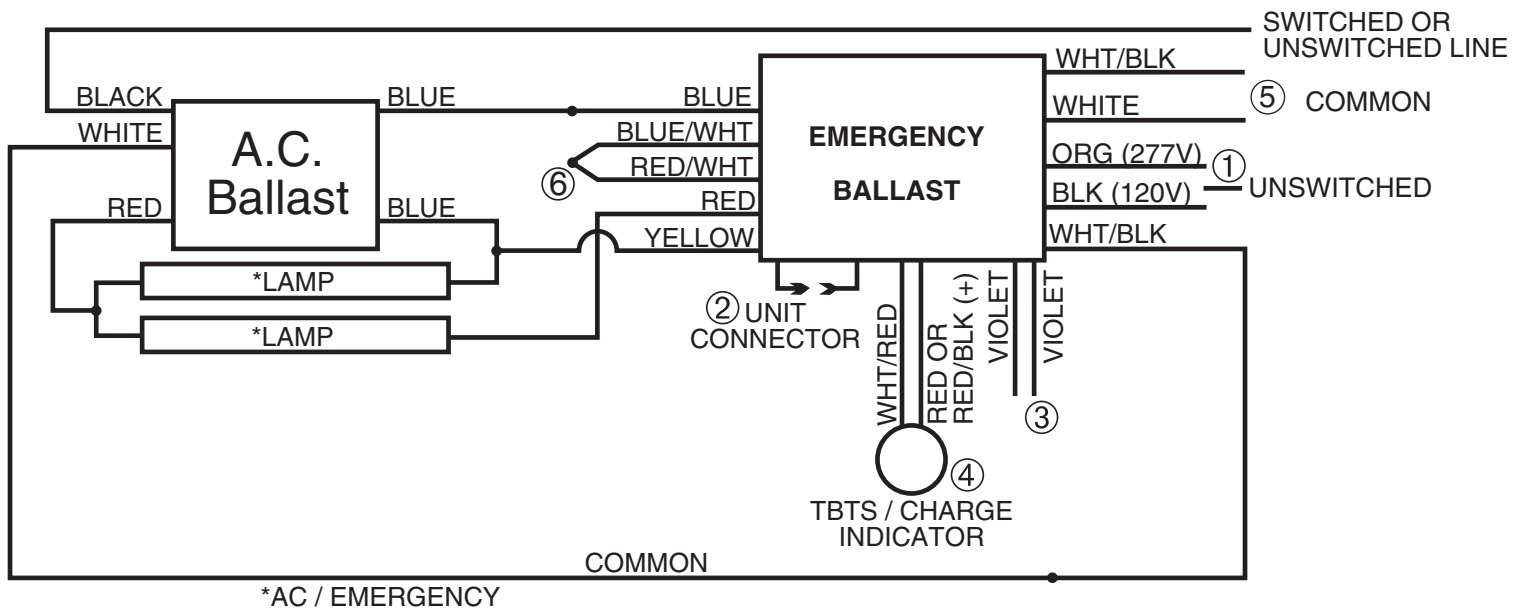
- ③ LAMP SELECTOR LEADS—REFER TO INSTALLATION INSTRUCTIONS, LAMPS OPERATION SECTION FOR VARIOUS OPTIONS
- ④ TEST ACCESSORY LEADS—REFER TO INSTALLATION INSTRUCTIONS FOR PROPER POLARITY WIRING.

- ⑤ USE EITHER WHT/BLK LEAD FOR WIRING THE COMMON. REFER TO AC INPUT WIRING ON ILLUSTRATION 3 OF INSTALLATION MANUAL.
- ⑥ CONNECT BLU/WHT AND RED/WHT WIRES TOGETHER

2LISB\_2\_E

### NOTES

## TWO LAMP INSTANT START BALLAST WITH TWO LAMP EMERGENCY OPERATION



① SELECT PROPER VOLTAGE LEAD. CAP UNUSED LEAD. REFER TO AC INPUT WIRING ON ILLUSTRATION 3 OF INSTALLATION MANUAL FOR PROPER INPUT CIRCUIT WIRING.

② DO NOT MATE CONNECTOR UNTIL INSTALLATION IS COMPLETE AND AC POWER IS SUPPLIED.

③ LAMP SELECTOR LEADS—REFER TO INSTALLATION INSTRUCTIONS, LAMPS OPERATION SECTION FOR VARIOUS OPTIONS

④ TEST ACCESSORY LEADS-REFER TO INSTALLATION INSTRUCTIONS FOR PROPER POLARITY WIRING.

⑤ USE EITHER WHT/BLK LEAD FOR WIRING THE COMMON. REFER TO AC INPUT WIRING ON ILLUSTRATION 3 OF INSTALLATION MANUAL.

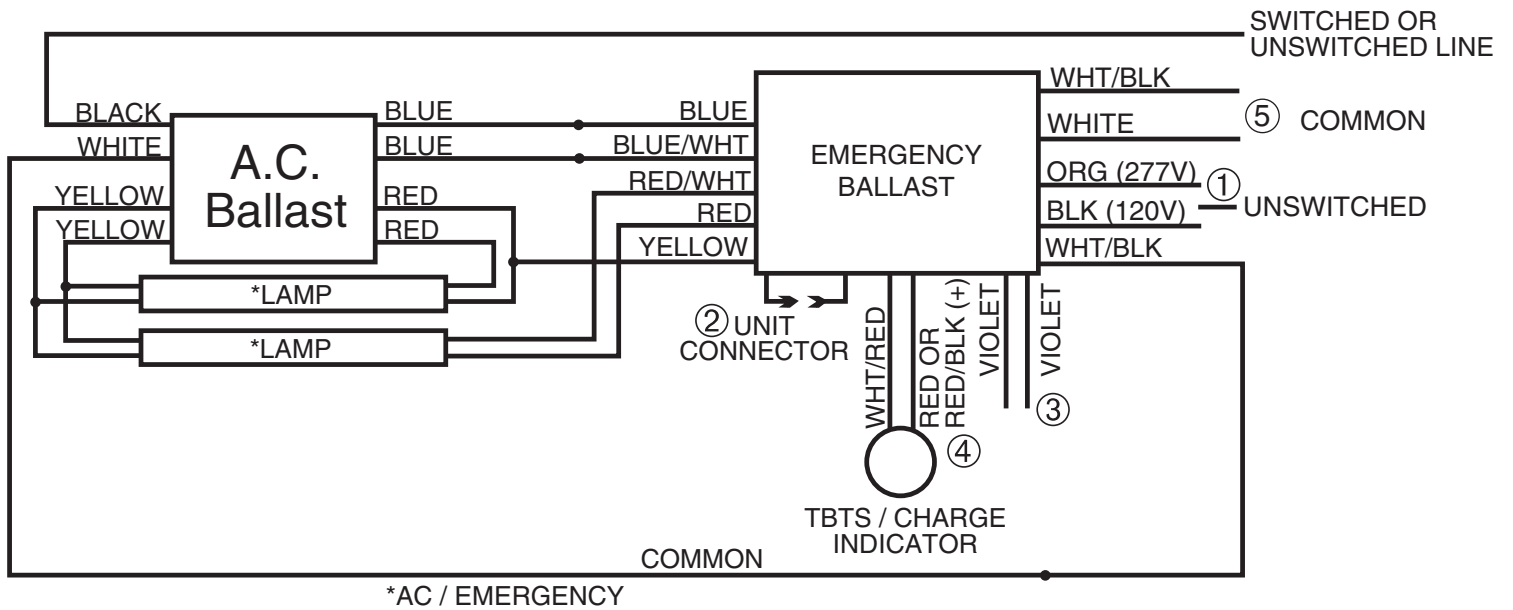
⑥ CONNECT BLU/WHT AND RED/WHT WIRES TOGETHER

2LIBS\_2LEO\_80\_E

### NOTES



## TWO LAMP RAPID START BALLAST WITH TWO LAMP EMERGENCY OPERATION



① SELECT PROPER VOLTAGE LEAD. CAP UNUSED LEAD. REFER TO AC INPUT WIRING ON ILLUSTRATION 3 OF INSTALLATION MANUAL FOR PROPER INPUT CIRCUIT WIRING.

② DO NOT MATE CONNECTOR UNTIL INSTALLATION IS COMPLETE AND AC POWER IS SUPPLIED.

③ LAMP SELECTOR LEADS—REFER TO INSTALLATION INSTRUCTIONS, LAMPS OPERATION SECTION FOR VARIOUS OPTIONS

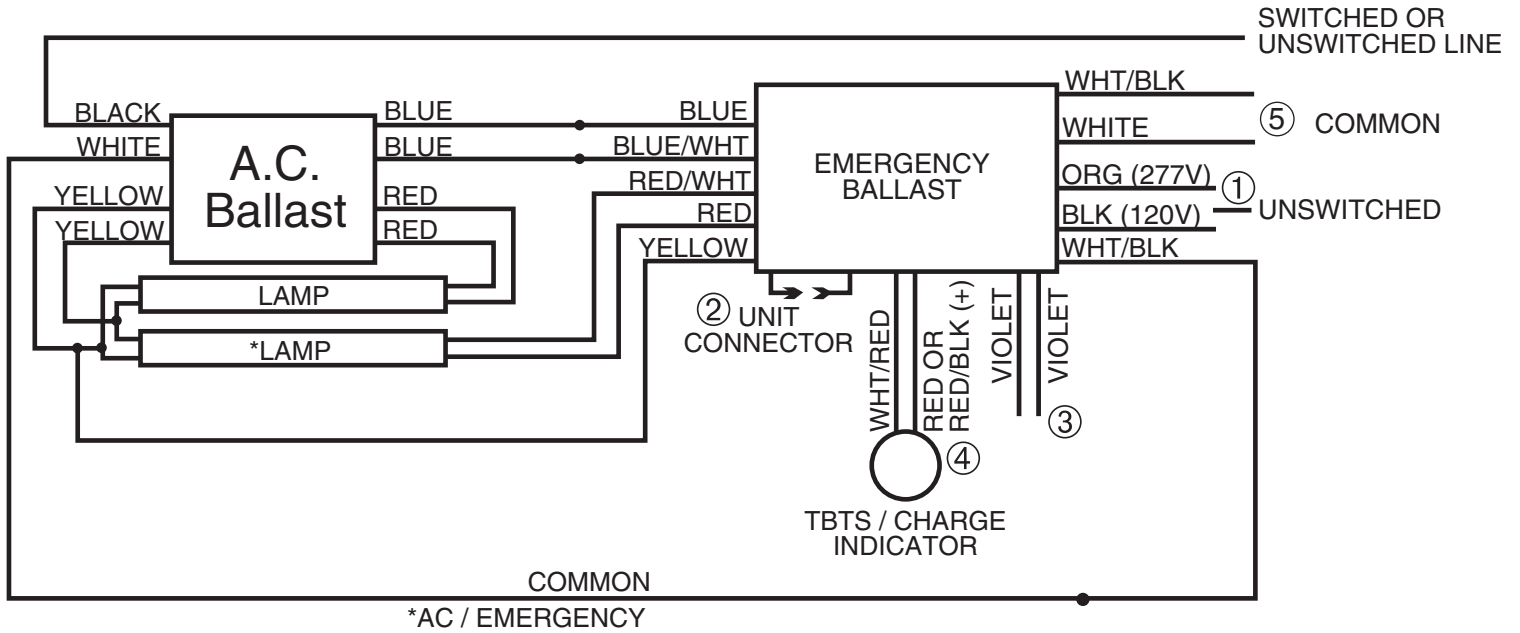
④ TEST ACCESSORY LEADS—REFER TO INSTALLATION INSTRUCTIONS FOR PROPER POLARITY WIRING.

⑤ USE EITHER WHT/BLK LEAD FOR WIRING THE COMMON. REFER TO AC INPUT WIRING ON ILLUSTRATION 3 OF INSTALLATION MANUAL.

2LRSB\_2LEO\_80\_E

### NOTES

## TWO LAMP RAPID START BALLAST



- ① SELECT PROPER VOLTAGE LEAD. CAP UNUSED LEAD. REFER TO AC INPUT WIRING ON ILLUSTRATION 3 OF INSTALLATION MANUAL FOR PROPER INPUT CIRCUIT WIRING.
- ② DO NOT MATE CONNECTOR UNTIL INSTALLATION IS COMPLETE AND AC POWER IS SUPPLIED.

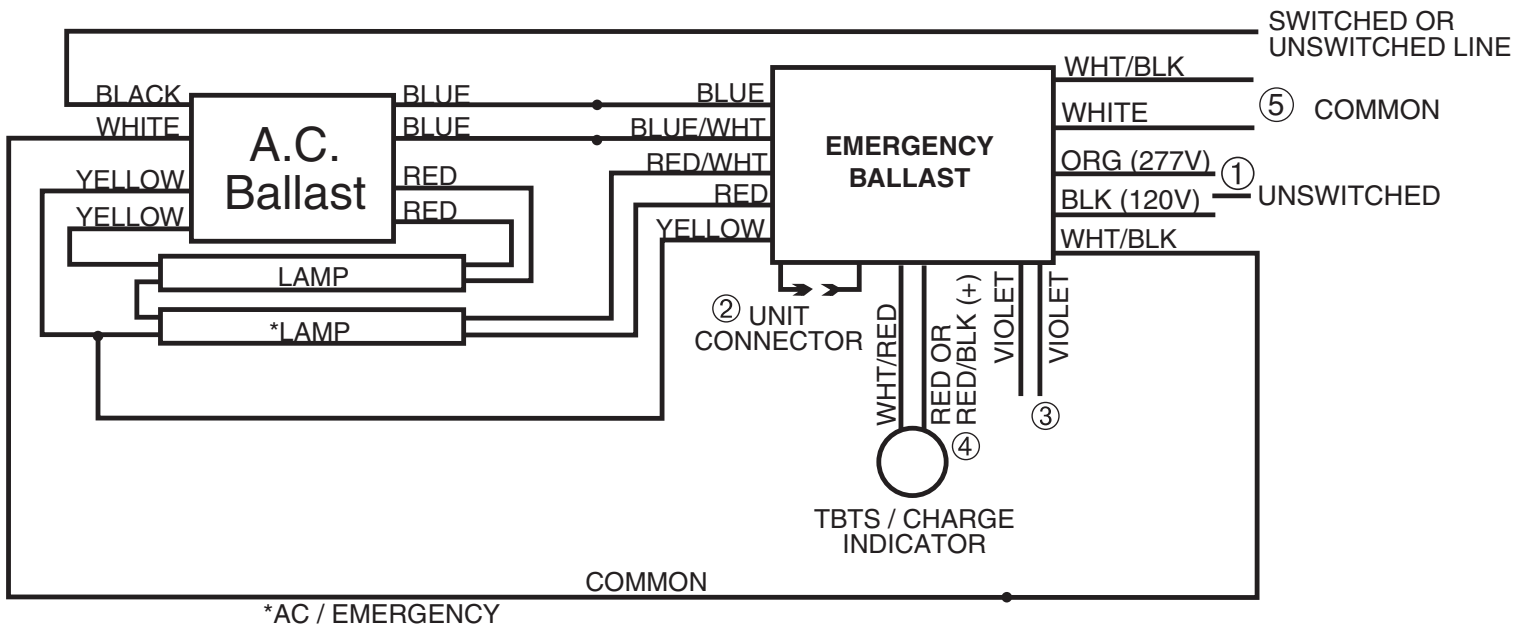
- ③ LAMP SELECTOR LEADS—REFER TO INSTALLATION INSTRUCTIONS, LAMPS OPERATION SECTION FOR VARIOUS OPTIONS
- ④ TEST ACCESSORY LEADS—REFER TO INSTALLATION INSTRUCTIONS FOR PROPER POLARITY WIRING.

- ⑤ USE EITHER WHT/BLK LEAD FOR WIRING THE COMMON. REFER TO AC INPUT WIRING ON ILLUSTRATION 3 OF INSTALLATION MANUAL.

2LRSB\_E

### NOTES

## TWO LAMP RAPID START BALLAST



① SELECT PROPER VOLTAGE LEAD. CAP UNUSED LEAD. REFER TO AC INPUT WIRING ON ILLUSTRATION 3 OF INSTALLATION MANUAL FOR PROPER INPUT CIRCUIT WIRING.

③ LAMP SELECTOR LEADS—REFER TO INSTALLATION INSTRUCTIONS, LAMPS OPERATION SECTION FOR VARIOUS OPTIONS

⑤ USE EITHER WHT/BLK LEAD FOR WIRING THE COMMON. REFER TO AC INPUT WIRING ON ILLUSTRATION 3 OF INSTALLATION MANUAL.

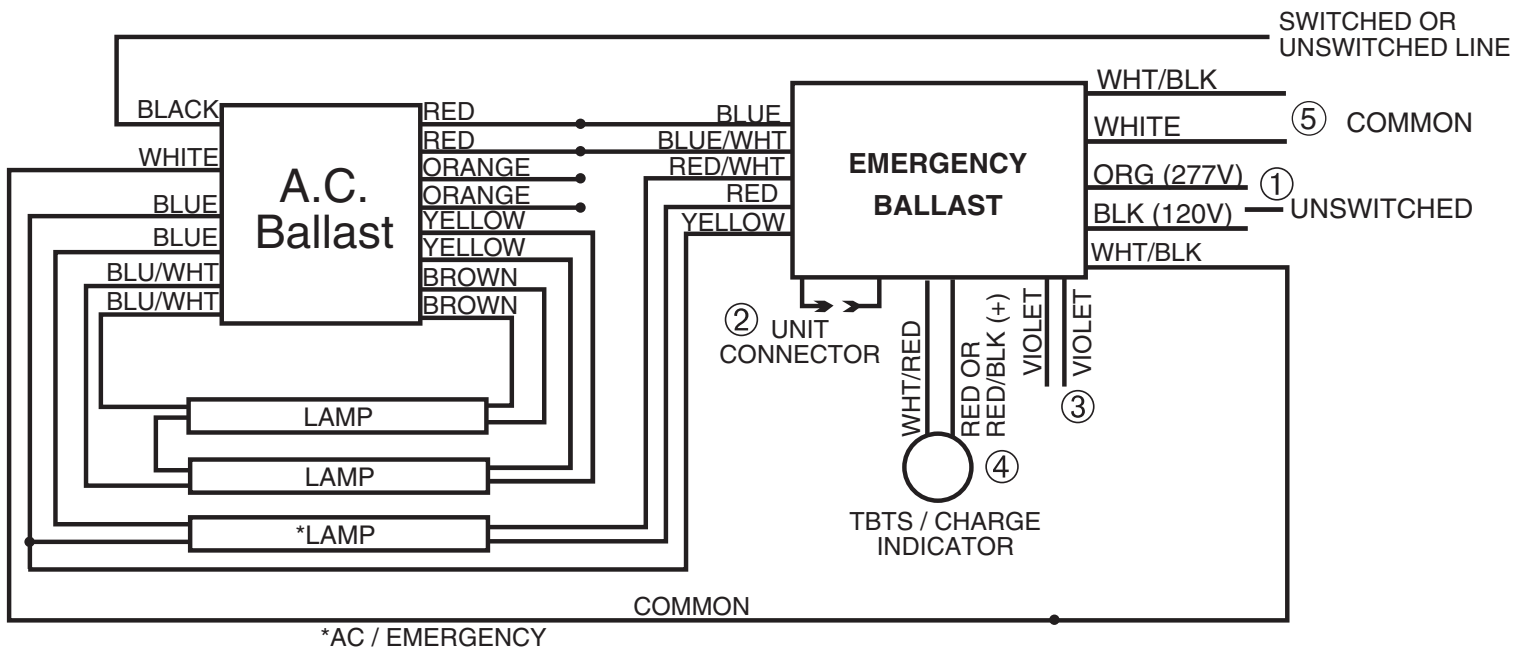
② DO NOT MATE CONNECTOR UNTIL INSTALLATION IS COMPLETE AND AC POWER IS SUPPLIED.

④ TEST ACCESSORY LEADS—REFER TO INSTALLATION INSTRUCTIONS FOR PROPER POLARITY WIRING.

2LRSB\_E\_4

### NOTES

## THREE LAMP RAPID START BALLAST



① SELECT PROPER VOLTAGE LEAD. CAP UNUSED LEAD. REFER TO AC INPUT WIRING ON ILLUSTRATION 3 OF INSTALLATION MANUAL FOR PROPER INPUT CIRCUIT WIRING.

③ LAMP SELECTOR LEADS—REFER TO INSTALLATION INSTRUCTIONS, LAMPS OPERATION SECTION FOR VARIOUS OPTIONS

⑤ USE EITHER WHT/BLK LEAD FOR WIRING THE COMMON. REFER TO AC INPUT WIRING ON ILLUSTRATION 3 OF INSTALLATION MANUAL.

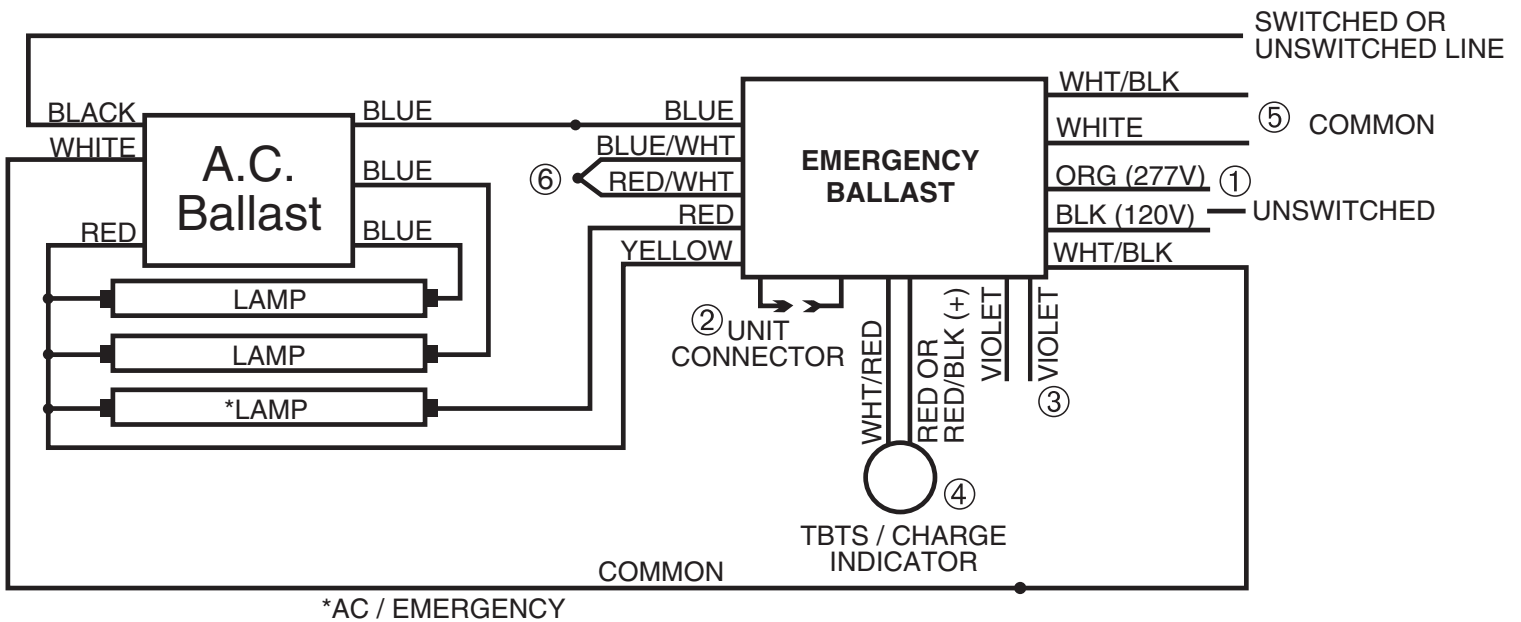
② DO NOT MATE CONNECTOR UNTIL INSTALLATION IS COMPLETE AND AC POWER IS SUPPLIED.

④ TEST ACCESSORY LEADS—REFER TO INSTALLATION INSTRUCTIONS FOR PROPER POLARITY WIRING.

3\_LRSB\_E\_3

## NOTES

## THREE LAMP INSTANT START BALLAST



① SELECT PROPER VOLTAGE LEAD. CAP UNUSED LEAD. REFER TO AC INPUT WIRING ON ILLUSTRATION 3 OF INSTALLATION MANUAL FOR PROPER INPUT CIRCUIT WIRING.

② DO NOT MATE CONNECTOR UNTIL INSTALLATION IS COMPLETE AND AC POWER IS SUPPLIED.

③ LAMP SELECTOR LEADS—REFER TO INSTALLATION INSTRUCTIONS, LAMPS OPERATION SECTION FOR VARIOUS OPTIONS

④ TEST ACCESSORY LEADS—REFER TO INSTALLATION INSTRUCTIONS FOR PROPER POLARITY WIRING.

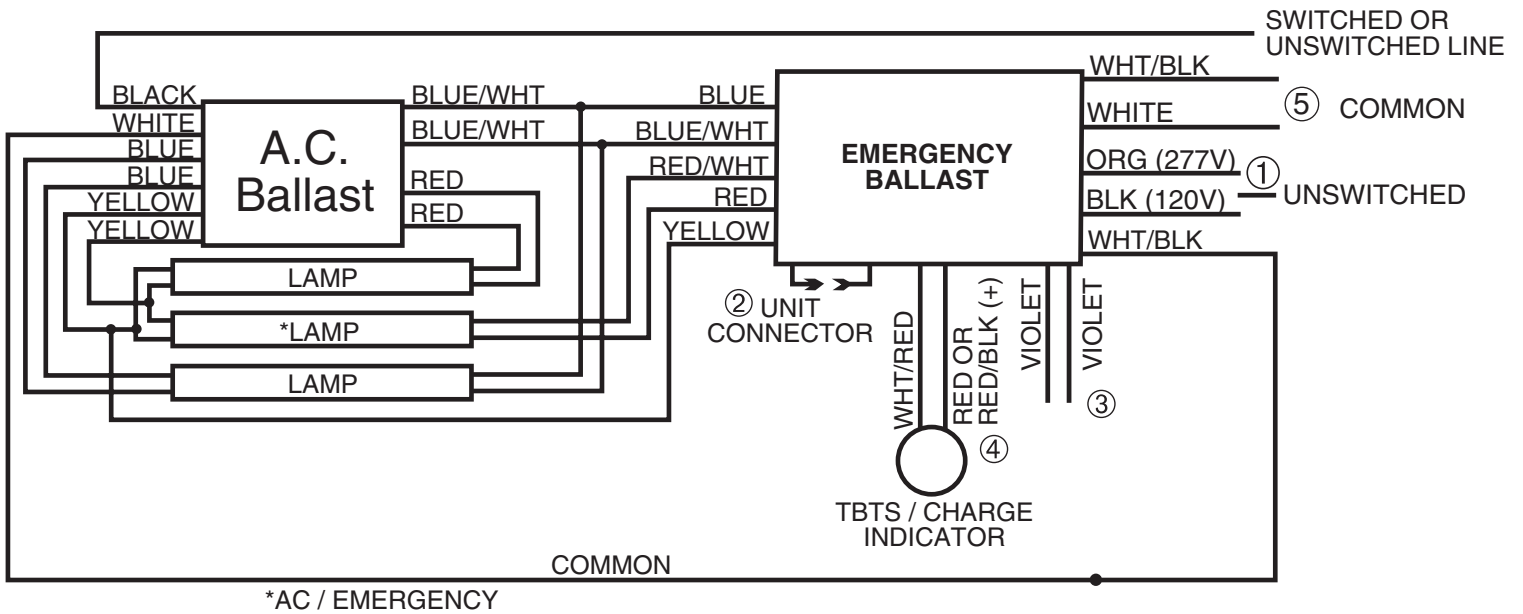
⑤ USE EITHER WHT/BLK LEAD FOR WIRING THE COMMON. REFER TO AC INPUT WIRING ON ILLUSTRATION 3 OF INSTALLATION MANUAL.

⑥ CONNECT BLU/WHT AND RED/WHT WIRES TOGETHER

3LISB\_E

## NOTES

## THREE LAMP RAPID START BALLAST



- ① SELECT PROPER VOLTAGE LEAD. CAP UNUSED LEAD. REFER TO AC INPUT WIRING ON ILLUSTRATION 3 OF INSTALLATION MANUAL FOR PROPER INPUT CIRCUIT WIRING.
- ② DO NOT MATE CONNECTOR UNTIL INSTALLATION IS COMPLETE AND AC POWER IS SUPPLIED.

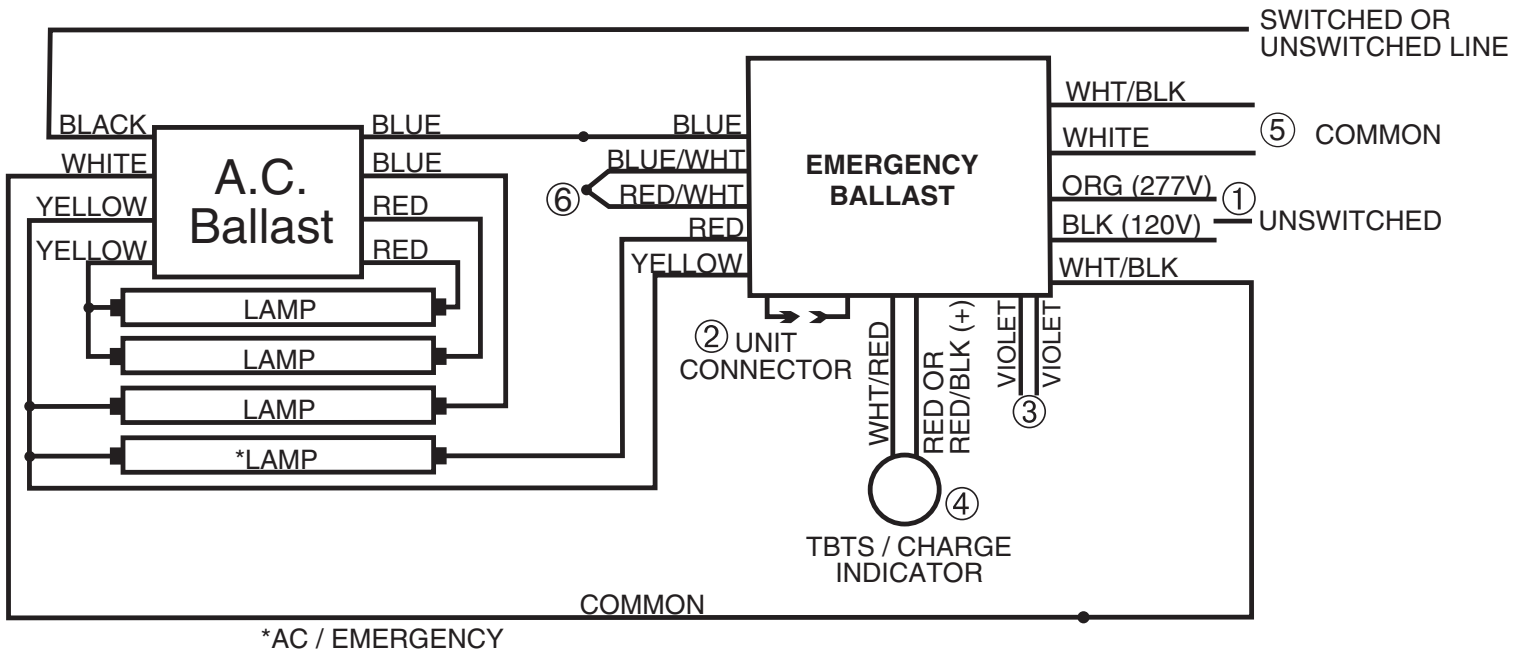
- ③ LAMP SELECTOR LEADS—REFER TO INSTALLATION INSTRUCTIONS, LAMPS OPERATION SECTION FOR VARIOUS OPTIONS
- ④ TEST ACCESSORY LEADS—REFER TO INSTALLATION INSTRUCTIONS FOR PROPER POLARITY WIRING.

- ⑤ USE EITHER WHT/BLK LEAD FOR WIRING THE COMMON. REFER TO AC INPUT WIRING ON ILLUSTRATION 3 OF INSTALLATION MANUAL.

3LRSB\_E

## NOTES

## FOUR LAMP INSTANT START BALLAST



① SELECT PROPER VOLTAGE LEAD. CAP UNUSED LEAD. REFER TO AC INPUT WIRING ON ILLUSTRATION 3 OF INSTALLATION MANUAL FOR PROPER INPUT CIRCUIT WIRING.

② DO NOT MATE CONNECTOR UNTIL INSTALLATION IS COMPLETE AND AC POWER IS SUPPLIED.

③ LAMP SELECTOR LEADS—REFER TO INSTALLATION INSTRUCTIONS, LAMPS OPERATION SECTION FOR VARIOUS OPTIONS

④ TEST ACCESSORY LEADS—REFER TO INSTALLATION INSTRUCTIONS FOR PROPER POLARITY WIRING.

⑤ USE EITHER WHT/BLK LEAD FOR WIRING THE COMMON. REFER TO AC INPUT WIRING ON ILLUSTRATION 3 OF INSTALLATION MANUAL.

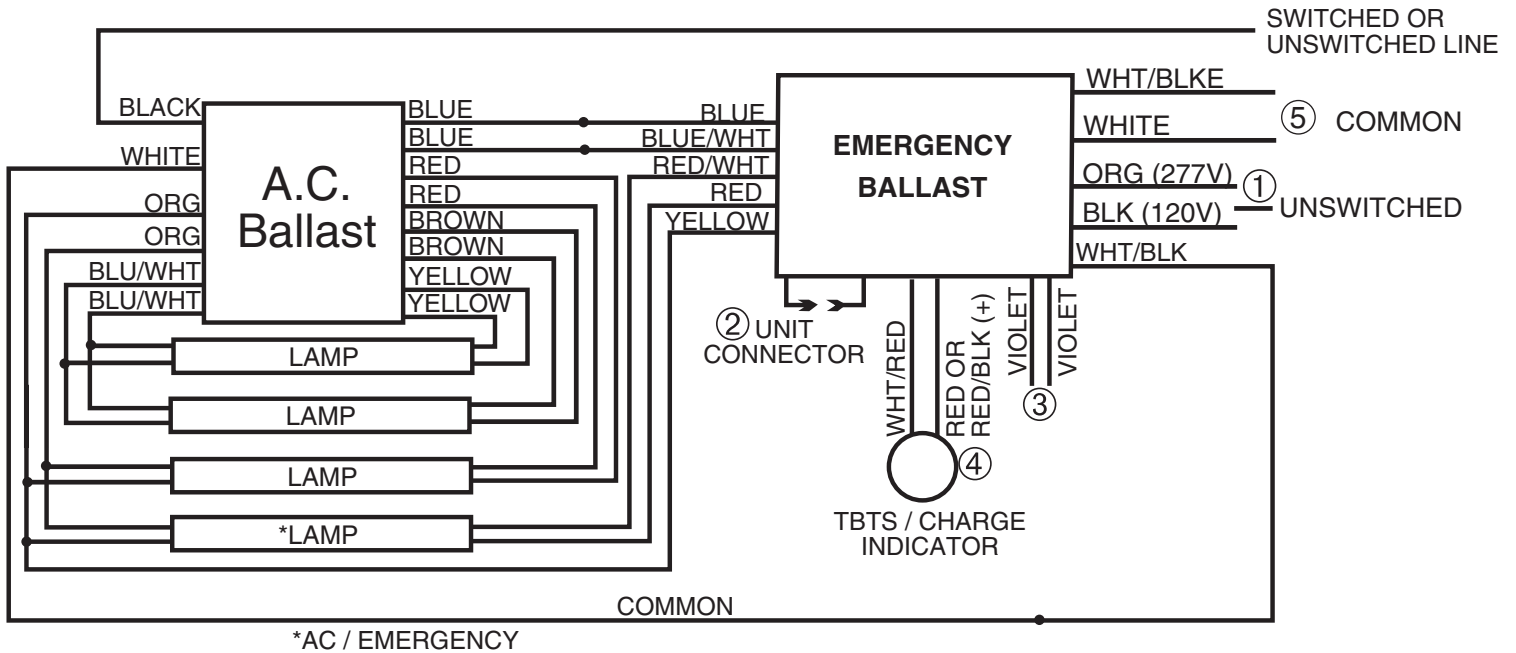
⑥ CONNECT BLU/WHT AND RED/WHT WIRES TOGETHER

4LISB\_E

### NOTES

Blank area for notes.

## FOUR LAMP RAPID START BALLAST



- ① SELECT PROPER VOLTAGE LEAD. CAP UNUSED LEAD. REFER TO AC INPUT WIRING ON ILLUSTRATION 3 OF INSTALLATION MANUAL FOR PROPER INPUT CIRCUIT WIRING.
- ② DO NOT MATE CONNECTOR UNTIL INSTALLATION IS COMPLETE AND AC POWER IS SUPPLIED.

- ③ LAMP SELECTOR LEADS—REFER TO INSTALLATION INSTRUCTIONS, LAMPS OPERATION SECTION FOR VARIOUS OPTIONS
- ④ TEST ACCESSORY LEADS—REFER TO INSTALLATION INSTRUCTIONS FOR PROPER POLARITY WIRING.

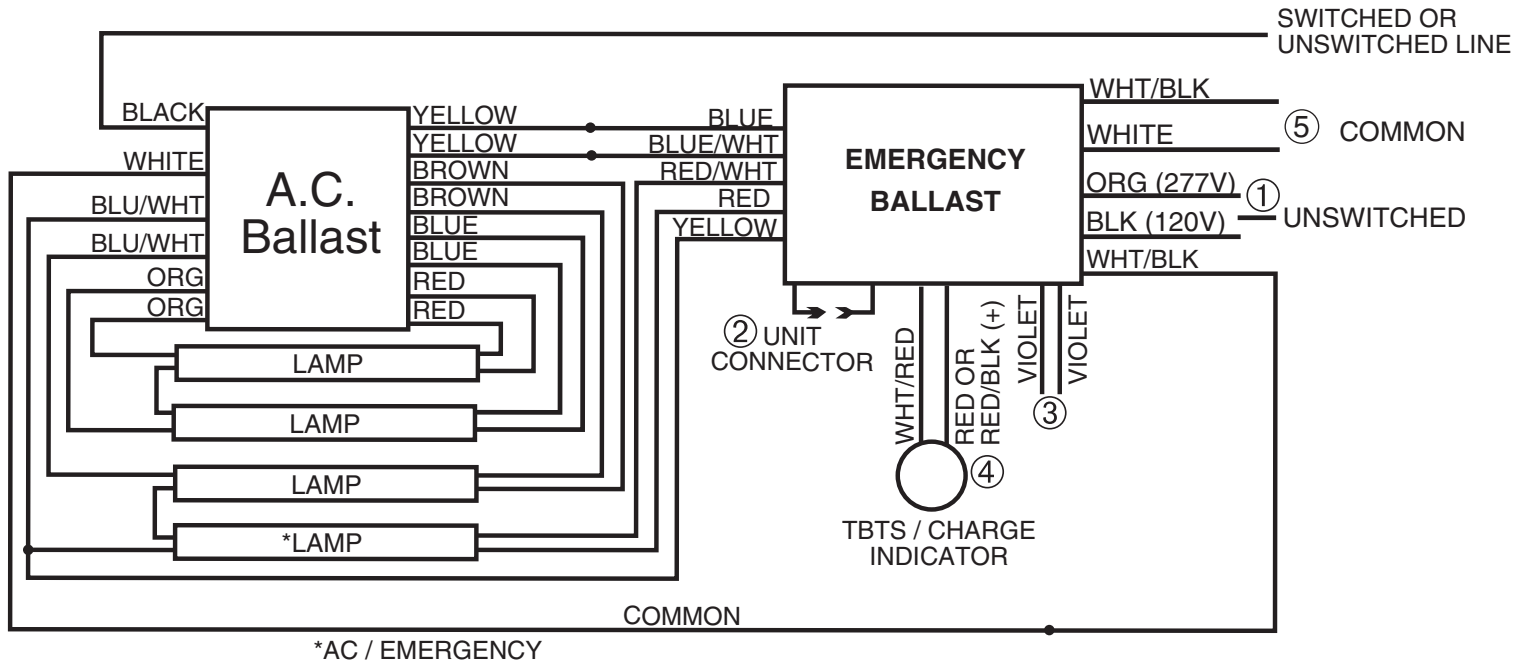
- ⑤ USE EITHER WHT/BLK LEAD FOR WIRING THE COMMON. REFER TO AC INPUT WIRING ON ILLUSTRATION 3 OF INSTALLATION MANUAL.

4LRSB\_E\_3

### NOTES



## FOUR LAMP RAPID START BALLAST



- ① SELECT PROPER VOLTAGE LEAD. CAP UNUSED LEAD. REFER TO AC INPUT WIRING ON ILLUSTRATION 3 OF INSTALLATION MANUAL FOR PROPER INPUT CIRCUIT WIRING.
- ② DO NOT MATE CONNECTOR UNTIL INSTALLATION IS COMPLETE AND AC POWER IS SUPPLIED.

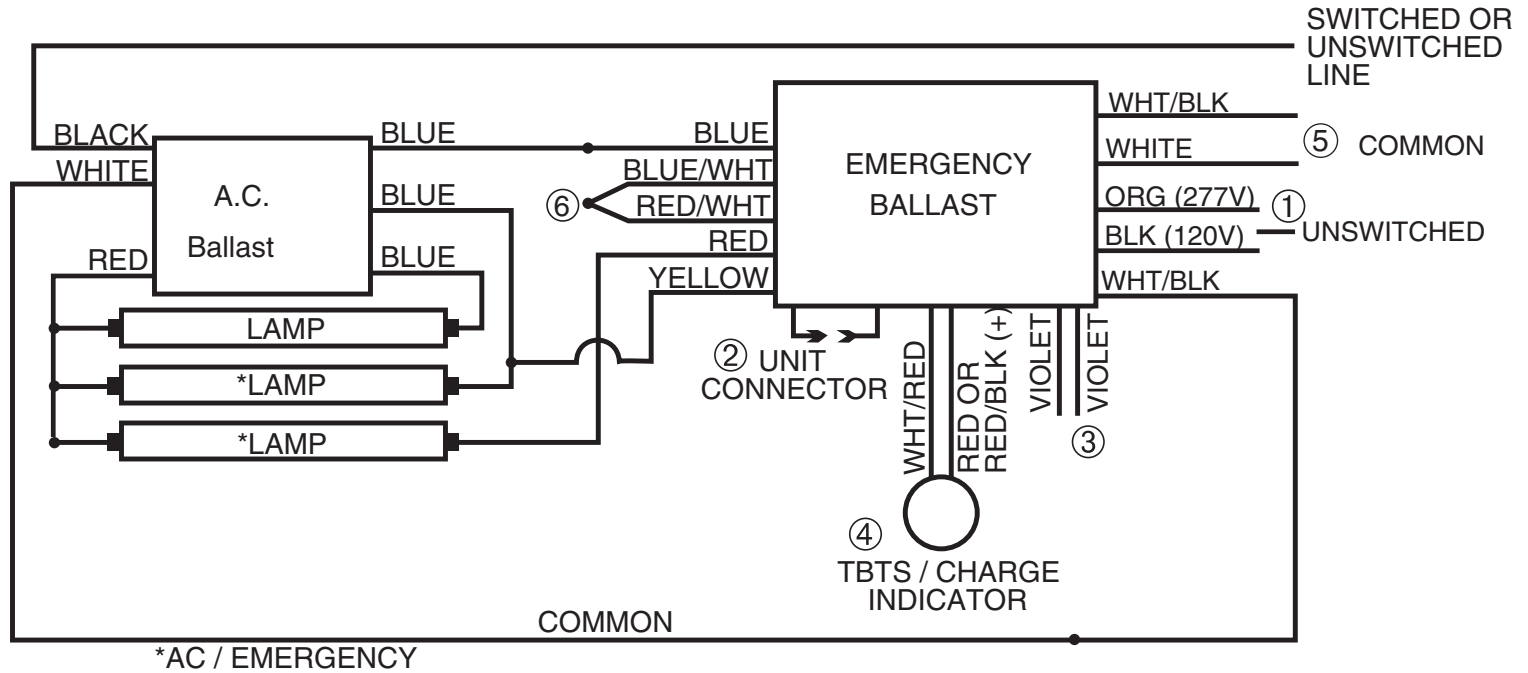
- ③ LAMP SELECTOR LEADS—REFER TO INSTALLATION INSTRUCTIONS, LAMPS OPERATION SECTION FOR VARIOUS OPTIONS
- ④ TEST ACCESSORY LEADS—REFER TO INSTALLATION INSTRUCTIONS FOR PROPER POLARITY WIRING.

- ⑤ USE EITHER WHT/BLK LEAD FOR WIRING THE COMMON. REFER TO AC INPUT WIRING ON ILLUSTRATION 3 OF INSTALLATION MANUAL.

4LRSB\_E\_4

### NOTES

## THREE LAMP INSTANT START BALLAST WITH TWO LAMP EMERGENCY OPERATION

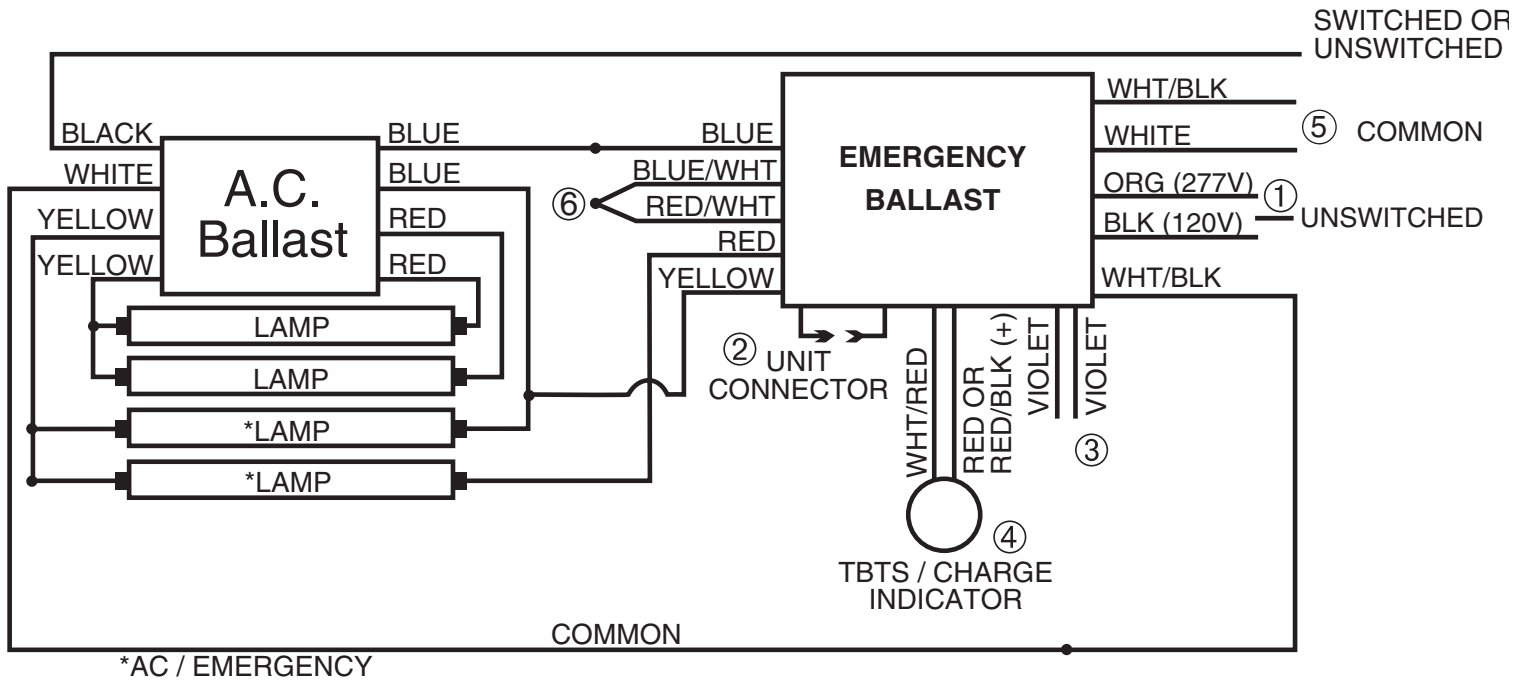


- ① SELECT PROPER VOLTAGE LEAD. CAP UNUSED LEAD. REFER TO AC INPUT WIRING ON ILLUSTRATION 3 OF INSTALLATION MANUAL FOR PROPER INPUT CIRCUIT WIRING.
- ② DO NOT MATE CONNECTOR UNTIL INSTALLATION IS COMPLETE AND AC POWER IS SUPPLIED.
- ③ LAMP SELECTOR LEADS—REFER TO INSTALLATION INSTRUCTIONS, LAMPS OPERATION SECTION FOR VARIOUS OPTIONS
- ④ TEST ACCESSORY LEADS—REFER TO INSTALLATION INSTRUCTIONS FOR PROPER POLARITY WIRING.
- ⑤ USE EITHER WHT/BLK LEAD FOR WIRING THE COMMON. REFER TO AC INPUT WIRING ON ILLUSTRATION 3 OF INSTALLATION MANUAL.
- ⑥ CONNECT BLU/WHT AND RED/WHT WIRES TOGETHER

3LISB\_2LEO\_E

### NOTES

## FOUR LAMP INSTANT START BALLAST WITH TWO LAMP EMERGENCY OPERATION



\*AC / EMERGENCY

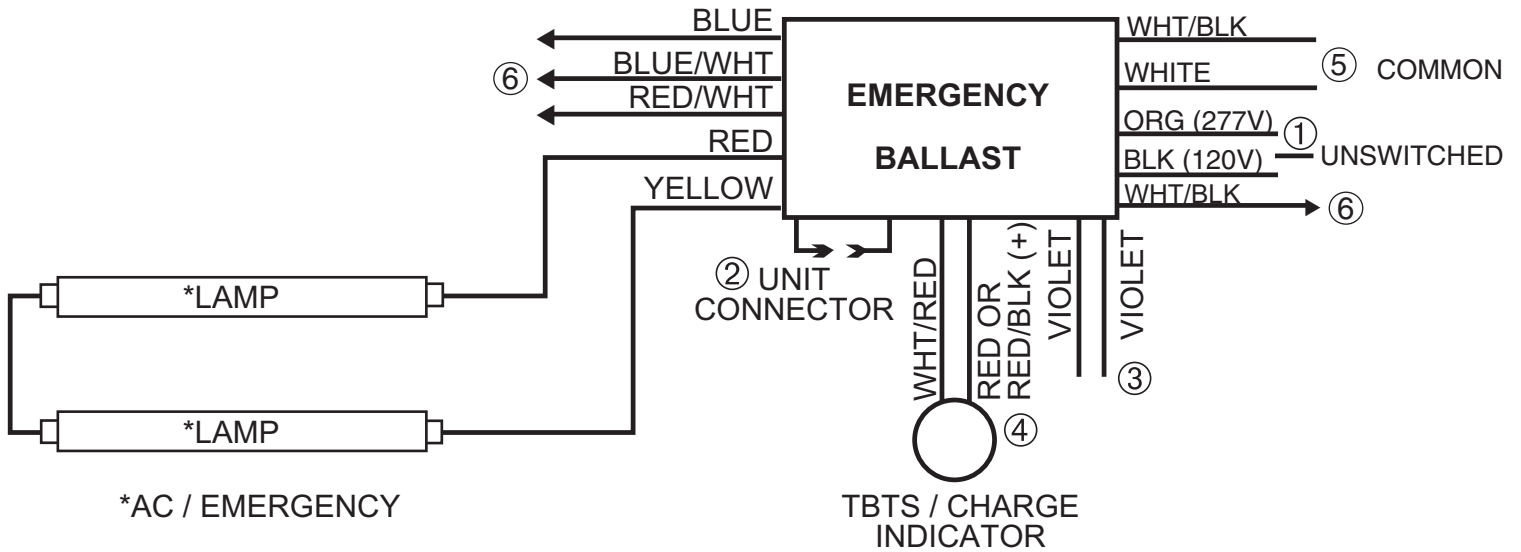
COMMON

- ① SELECT PROPER VOLTAGE LEAD. CAP UNUSED LEAD. REFER TO AC INPUT WIRING ON ILLUSTRATION 3 OF INSTALLATION MANUAL FOR PROPER INPUT CIRCUIT WIRING.
- ② DO NOT MATE CONNECTOR UNTIL INSTALLATION IS COMPLETE AND AC POWER IS SUPPLIED.
- ③ LAMP SELECTOR LEADS—REFER TO INSTALLATION INSTRUCTIONS, LAMPS OPERATION SECTION FOR VARIOUS OPTIONS
- ④ TEST ACCESSORY LEADS-REFER TO INSTALLATION INSTRUCTIONS FOR PROPER POLARITY WIRING.
- ⑤ USE EITHER WHT/BLK LEAD FOR WIRING THE COMMON. REFER TO AC INPUT WIRING ON ILLUSTRATION 3 OF INSTALLATION MANUAL.
- ⑥ CONNECT BLU/WHT AND RED/WHT WIRES TOGETHER

4LISB\_2LEO\_80E

### NOTES

## TWO LAMP EMERGENCY ONLY



- ① SELECT PROPER VOLTAGE LEAD. CAP UNUSED LEAD. REFER TO AC INPUT WIRING ON ILLUSTRATION 3 OF INSTALLATION MANUAL FOR PROPER INPUT CIRCUIT WIRING.
- ② DO NOT MATE CONNECTOR UNTIL INSTALLATION IS COMPLETE AND AC POWER IS SUPPLIED.

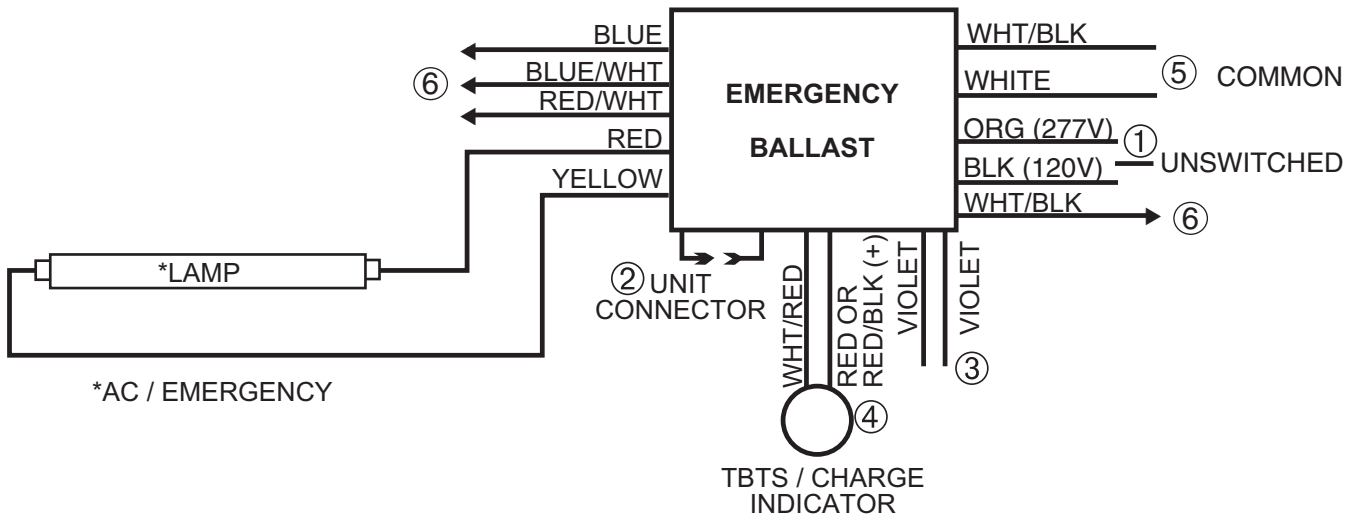
- ③ LAMP SELECTOR LEADS—REFER TO INSTALLATION INSTRUCTIONS, LAMPS OPERATION SECTION FOR VARIOUS OPTIONS
- ④ TEST ACCESSORY LEADS-REFER TO INSTALLATION INSTRUCTIONS FOR PROPER POLARITY WIRING.

- ⑤ USE EITHER WHT/BLK LEAD FOR WIRING THE COMMON. REFER TO AC INPUT WIRING ON ILLUSTRATION 3 OF INSTALLATION MANUAL.
- ⑥ CAP UNUSED LEADS.

2LEO\_80\_E

## NOTES

## ONE LAMP EMERGENCY ONLY



- ① SELECT PROPER VOLTAGE LEAD. CAP UNUSED LEAD. REFER TO AC INPUT WIRING ON ILLUSTRATION 3 OF INSTALLATION MANUAL FOR PROPER INPUT CIRCUIT WIRING.
- ② DO NOT MATE CONNECTOR UNTIL INSTALLATION IS COMPLETE AND AC POWER IS SUPPLIED.

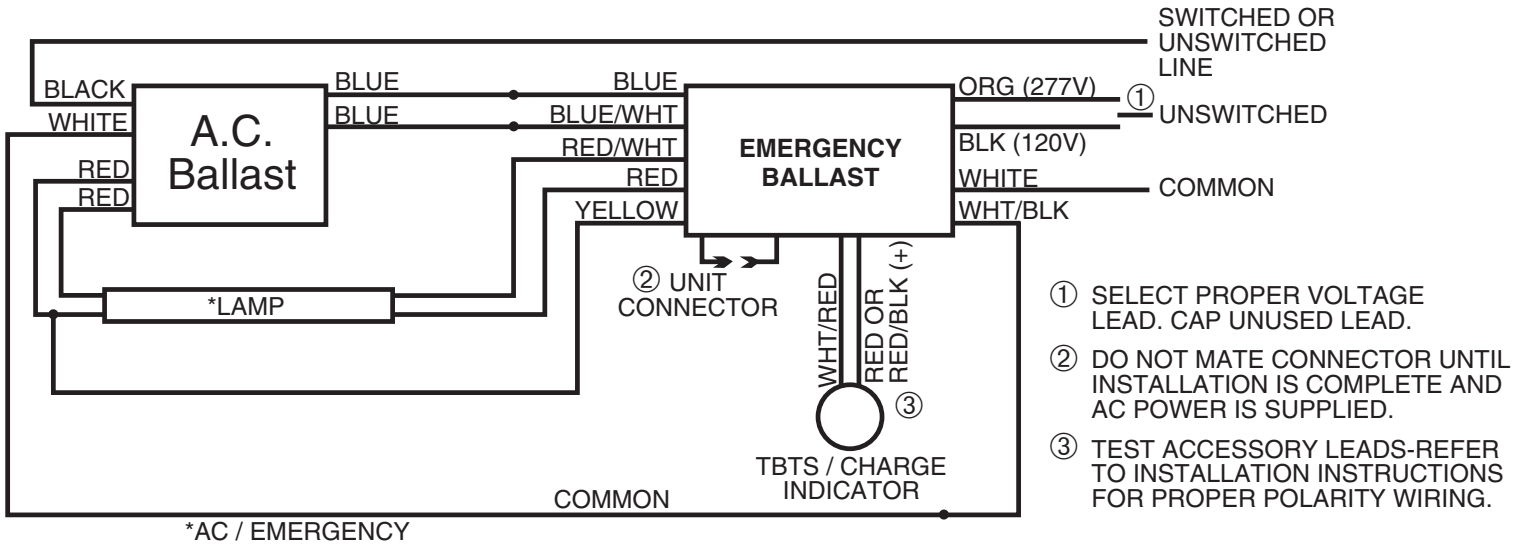
- ③ LAMP SELECTOR LEADS—REFER TO INSTALLATION INSTRUCTIONS, LAMPS OPERATION SECTION FOR VARIOUS OPTIONS
- ④ TEST ACCESSORY LEADS-REFER TO INSTALLATION INSTRUCTIONS FOR PROPER POLARITY WIRING.

- ⑤ USE EITHER WHT/BLK LEAD FOR WIRING THE COMMON. REFER TO AC INPUT WIRING ON ILLUSTRATION 3 OF INSTALLATION MANUAL.
- ⑥ CAP UNUSED LEADS.

1LEO\_80\_E

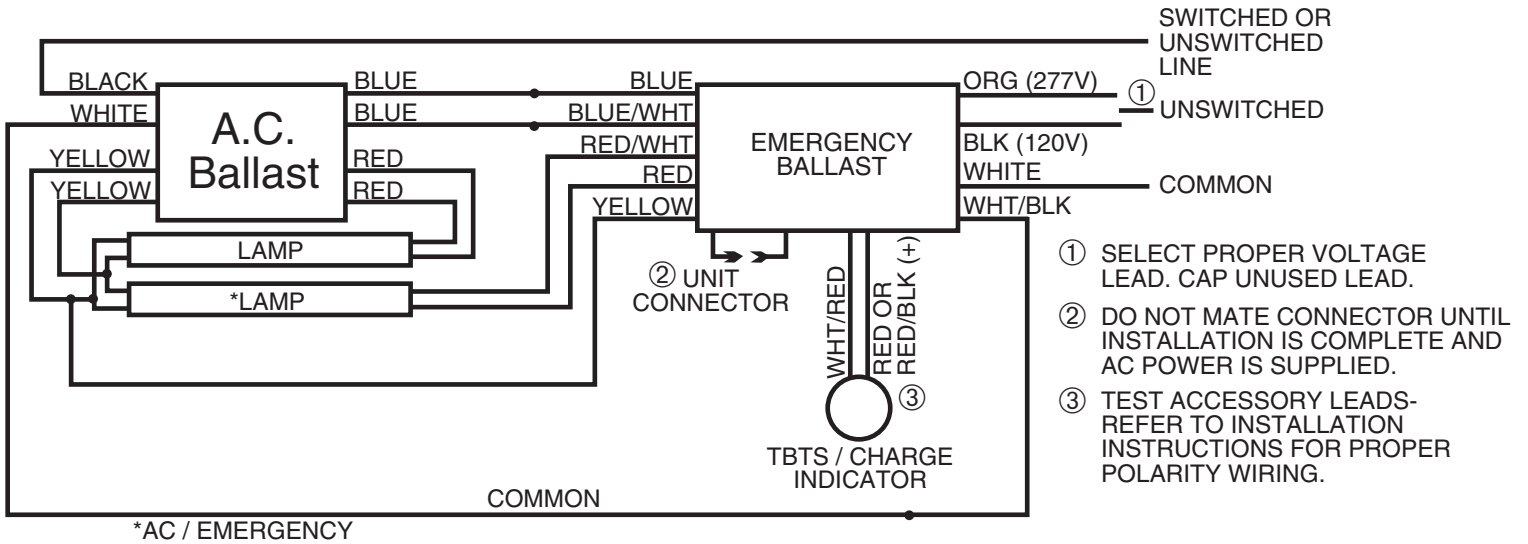
### NOTES

## ONE LAMP RAPID START BALLAST



1LRSB

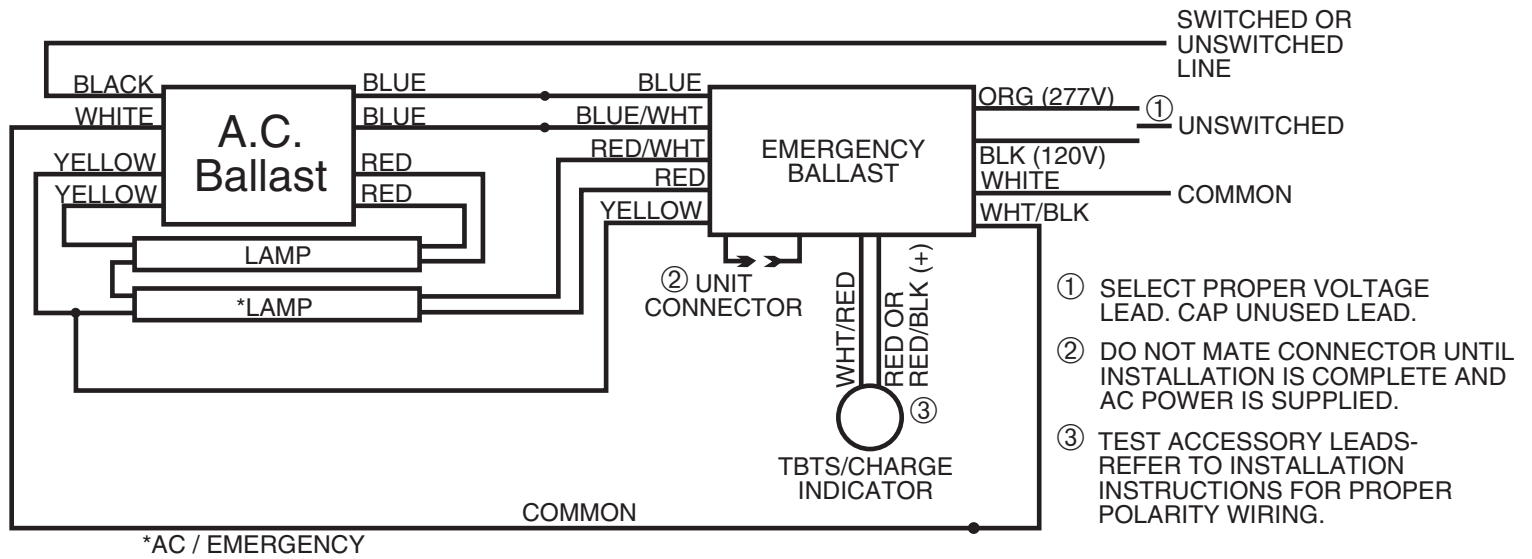
### NOTES



2LRSB\_D

## NOTES

## TWO LAMP RAPID START BALLAST

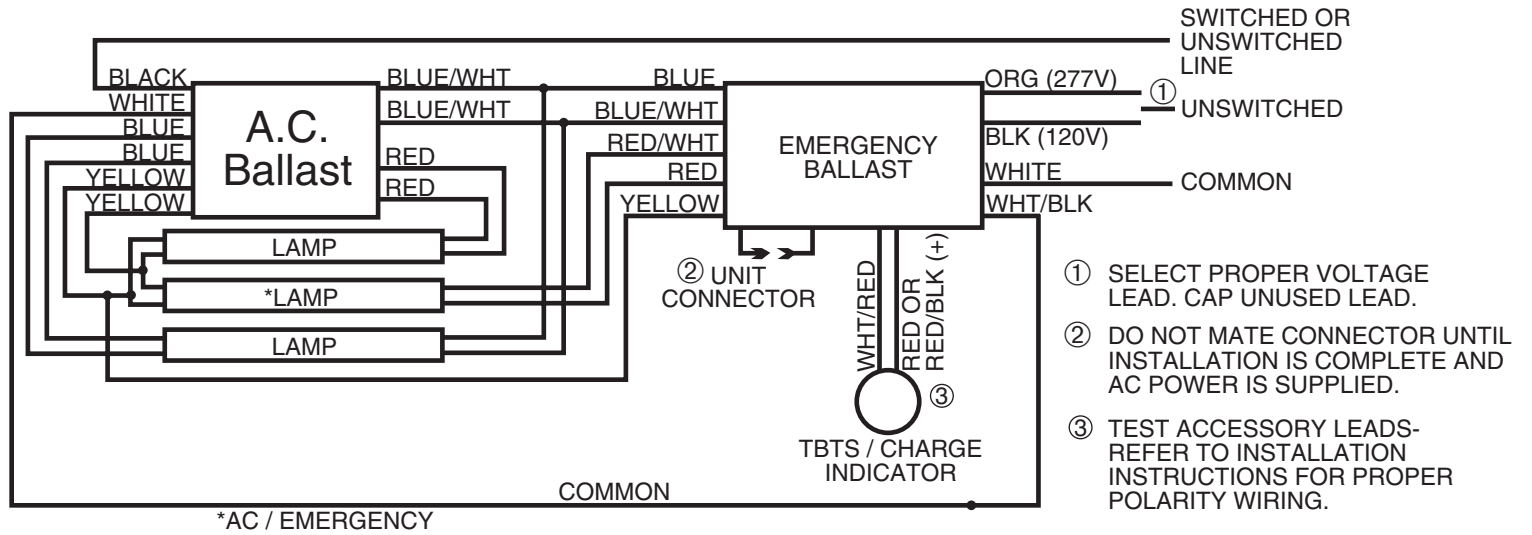


2LRSB\_2\_ISL

### NOTES



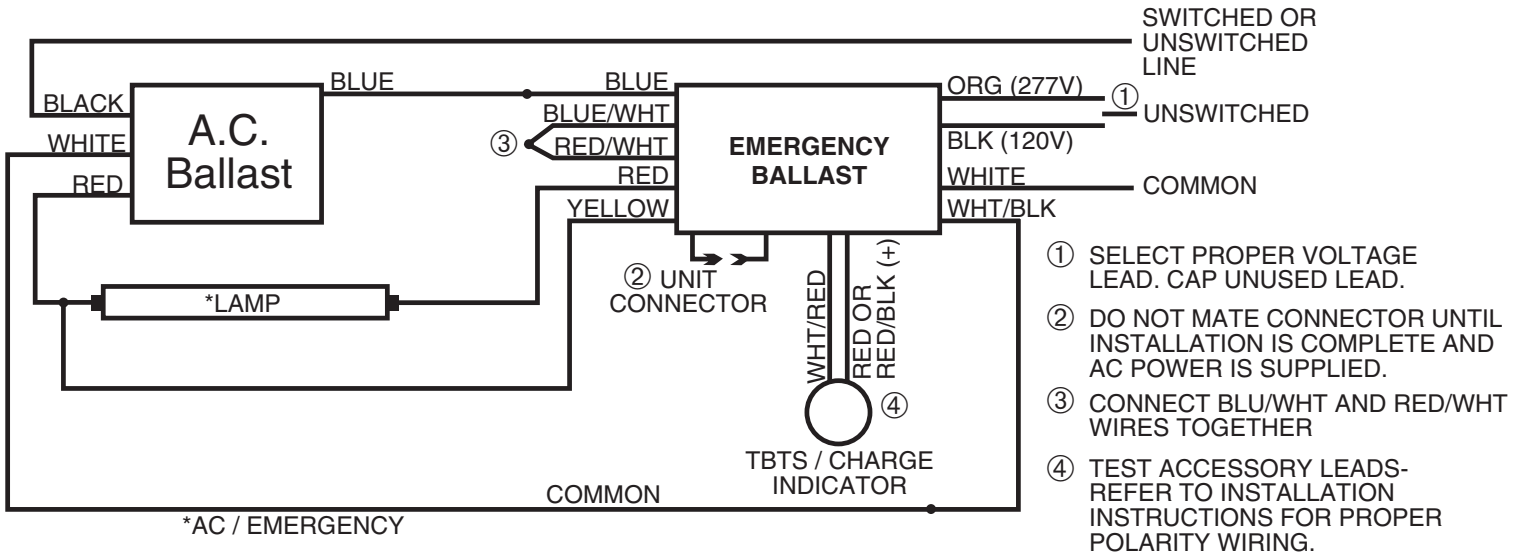
## THREE LAMP RAPID START BALLAST



3LRSB\_ISL

**NOTES**

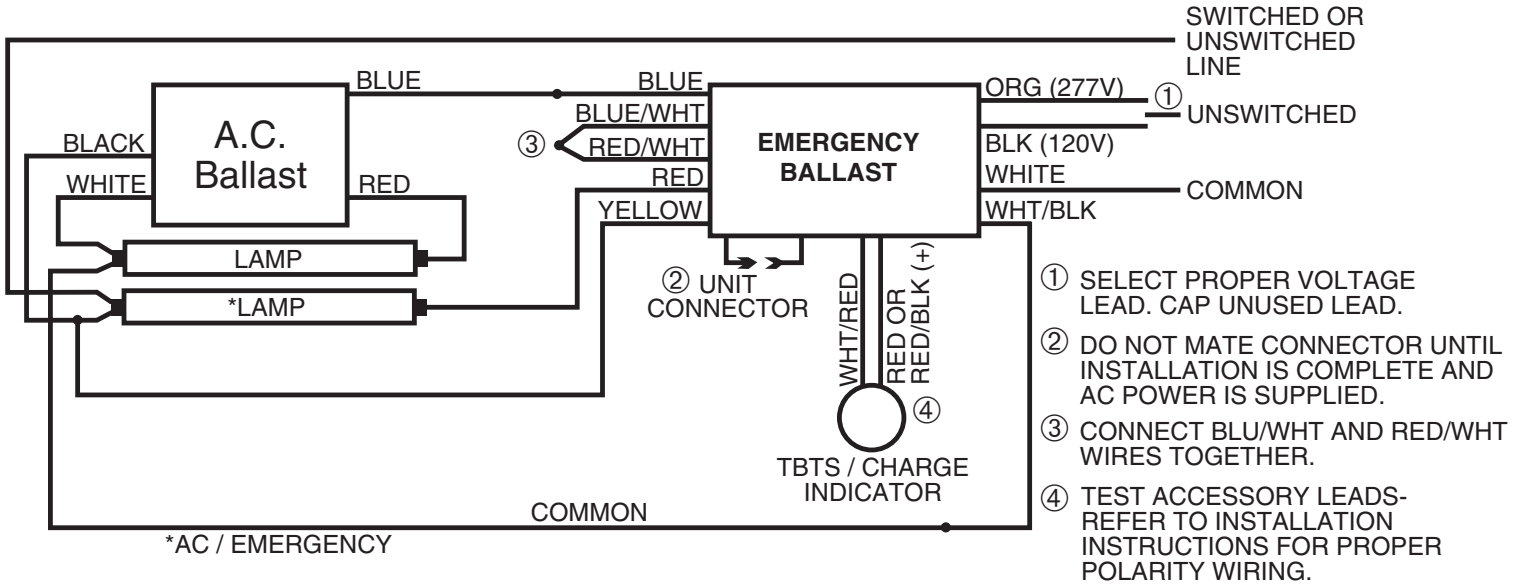
## ONE LAMP INSTANT START BALLAST



1LISB\_ISL

### NOTES

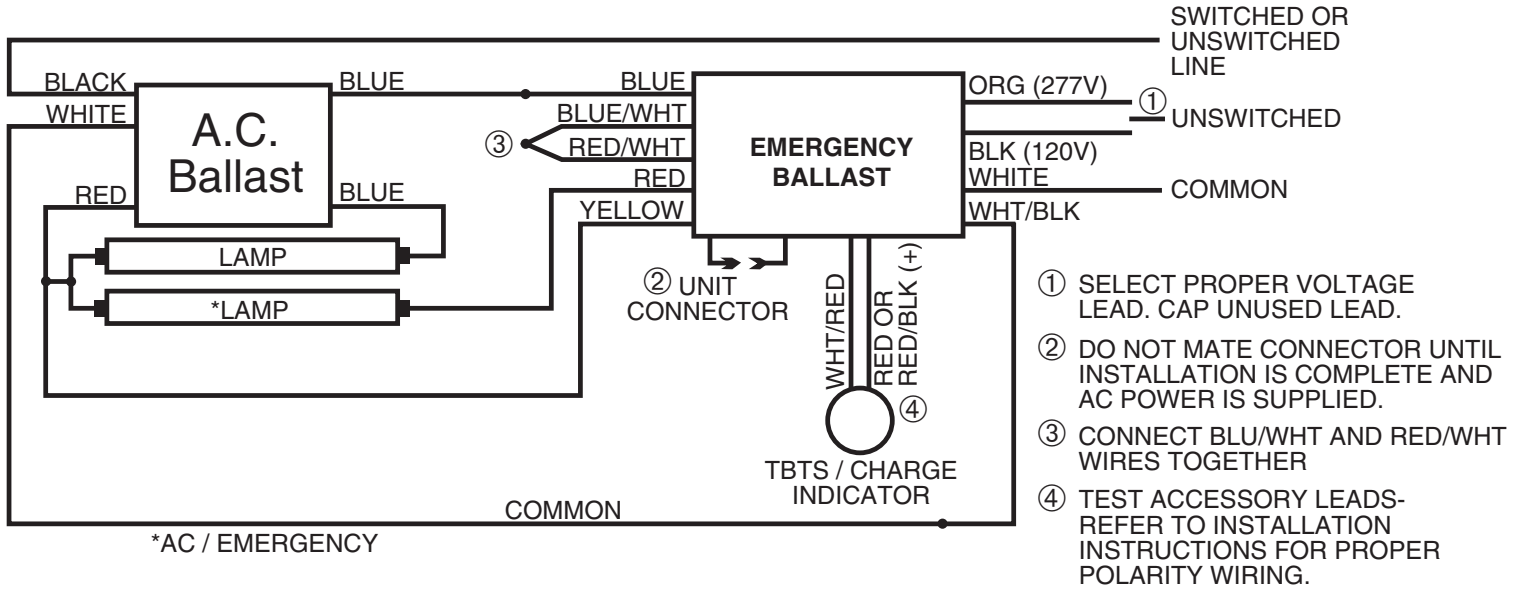
## TWO LAMP INSTANT START BALLAST



2LISB\_ISL

### NOTES

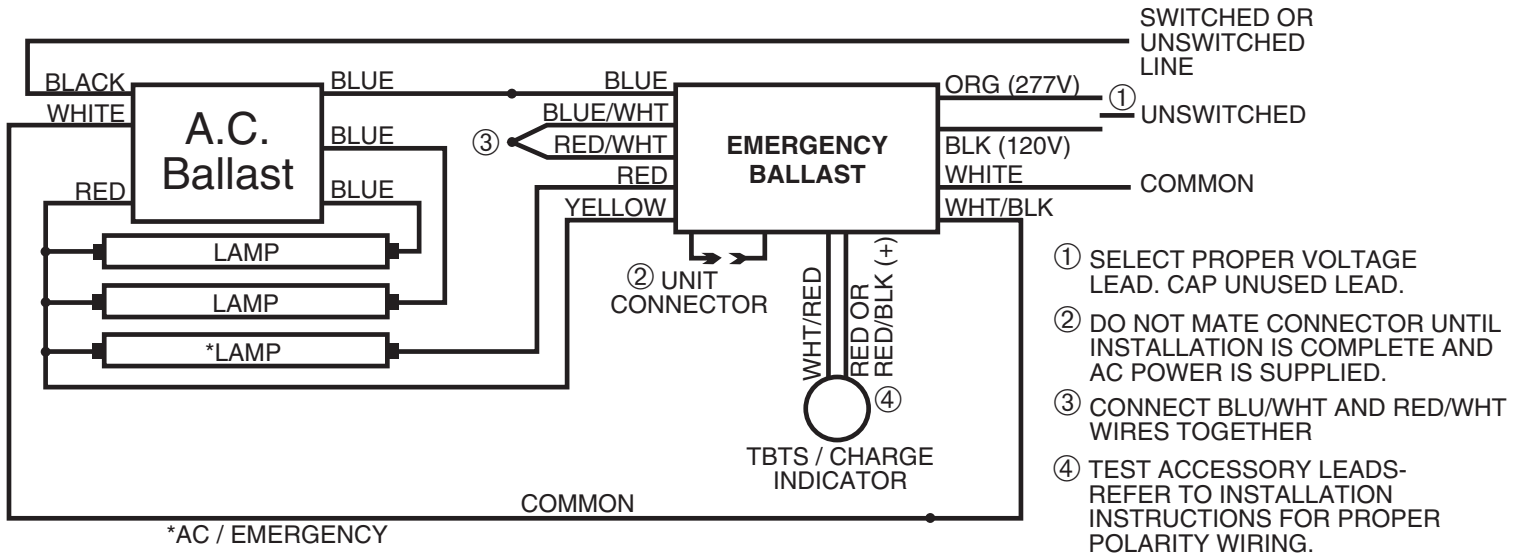
## TWO LAMP INSTANT START BALLAST



2LISB\_2\_ISL

### NOTES

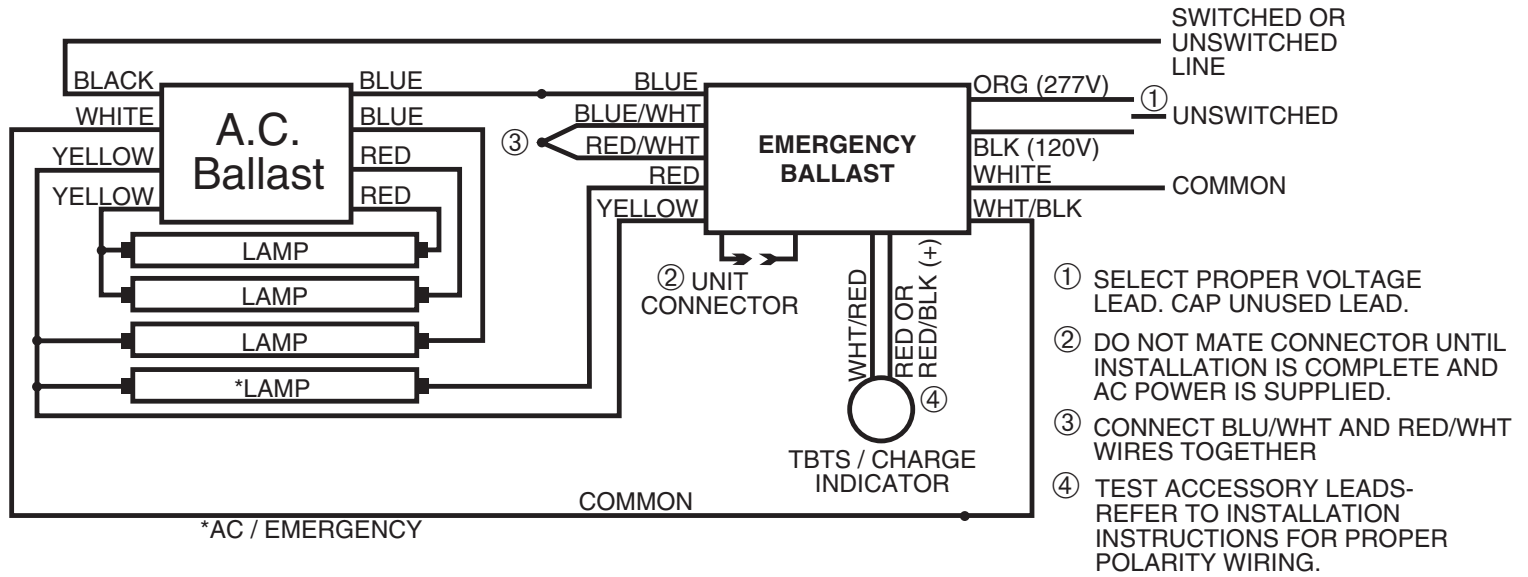
## THREE LAMP INSTANT START BALLAST



3LISB\_ISL

### NOTES

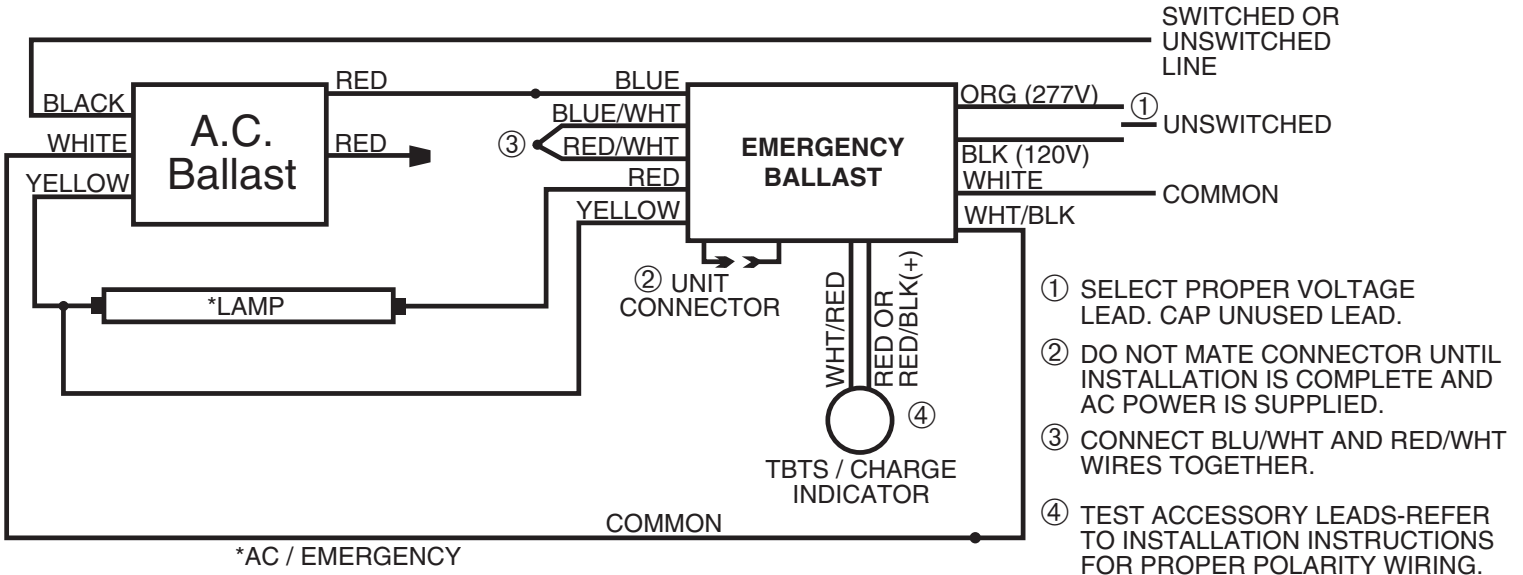
## FOUR LAMP INSTANT START BALLAST



4LISB\_ISL

**NOTES**

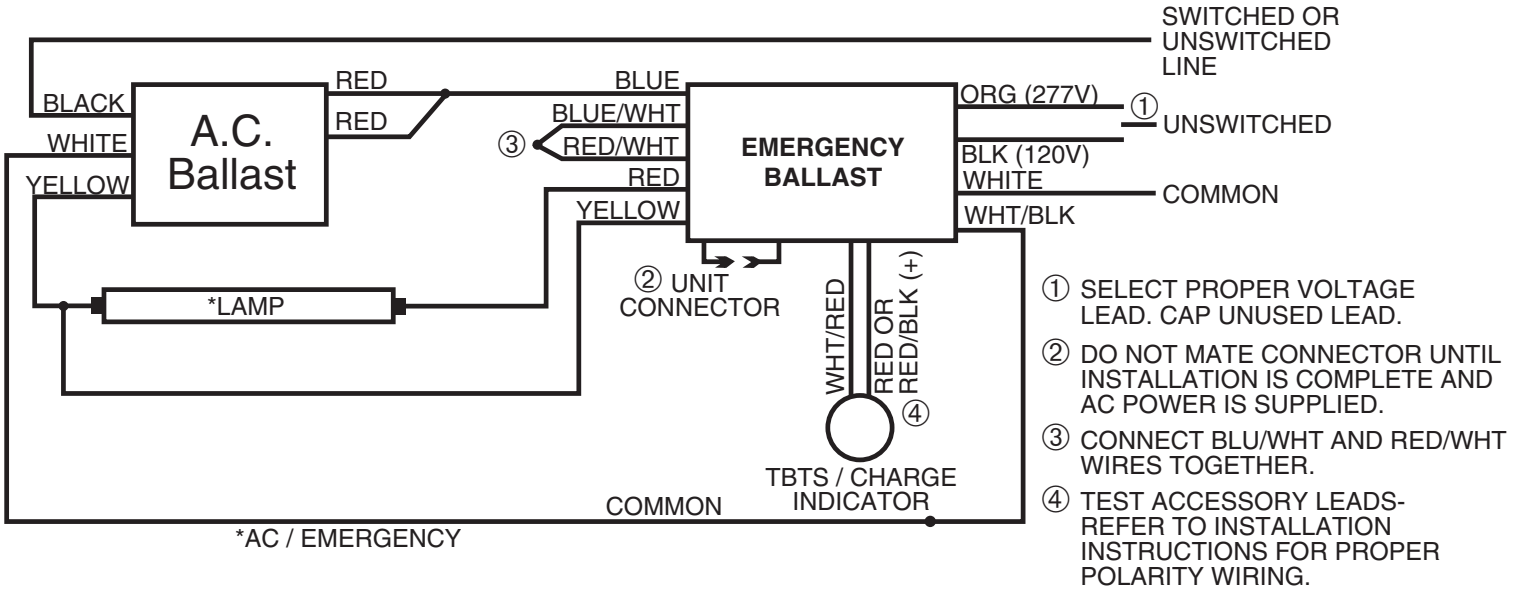
## ONE LAMP INSTANT START BALLAST



1LISB\_ISL\_2

### NOTES

## ONE LAMP INSTANT START FULLHAM BALLAST



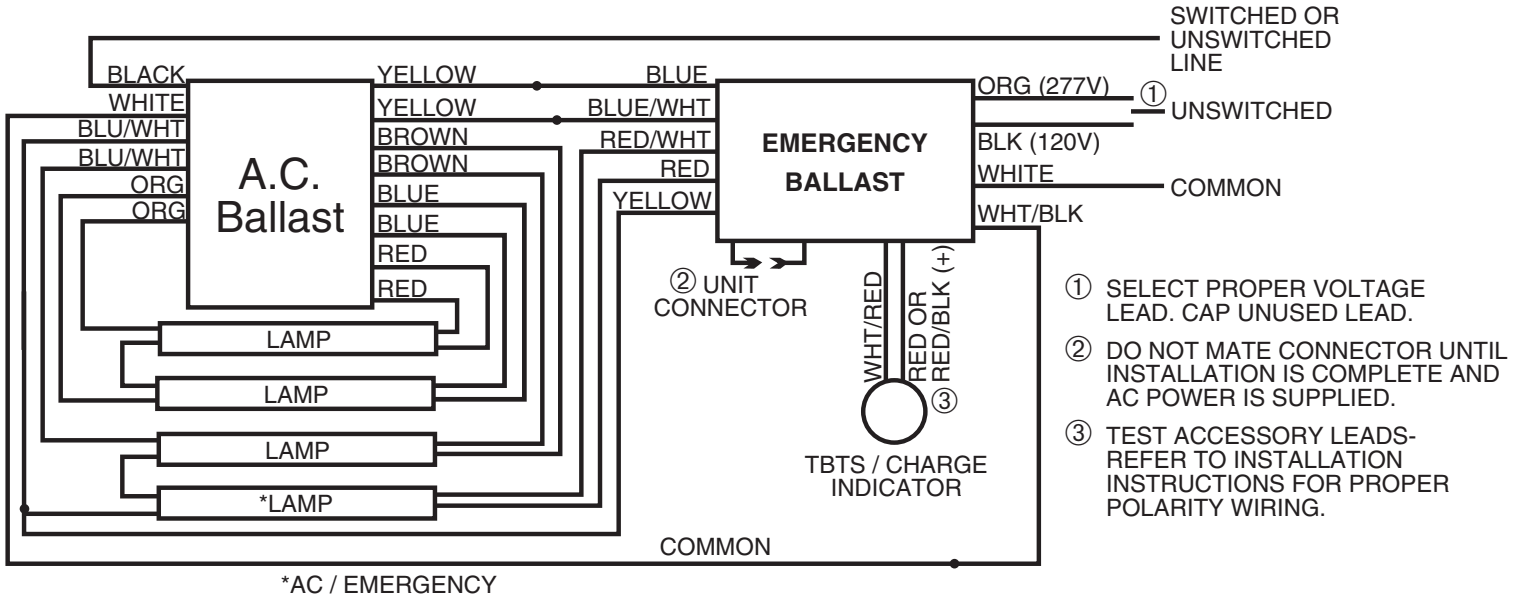
1LISFB\_ISL

### NOTES

Blank area for notes.



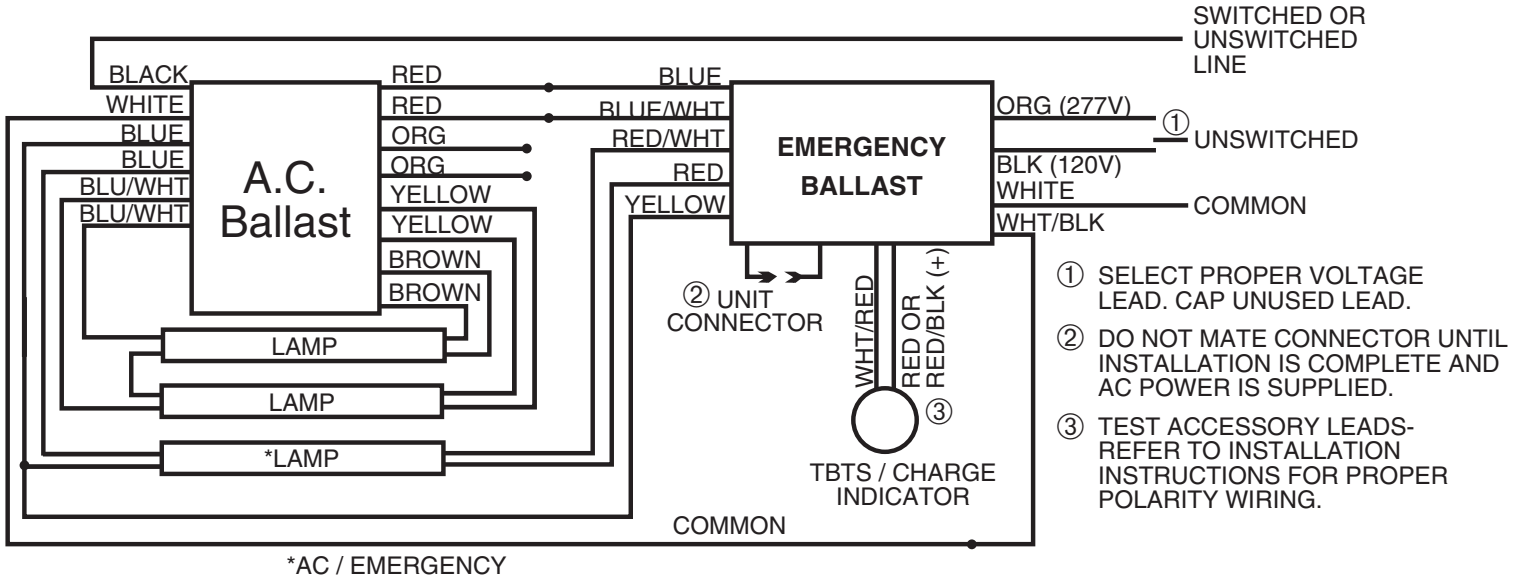
## FOUR LAMP RAPID START BALLAST



4LRSB\_ISL

### NOTES

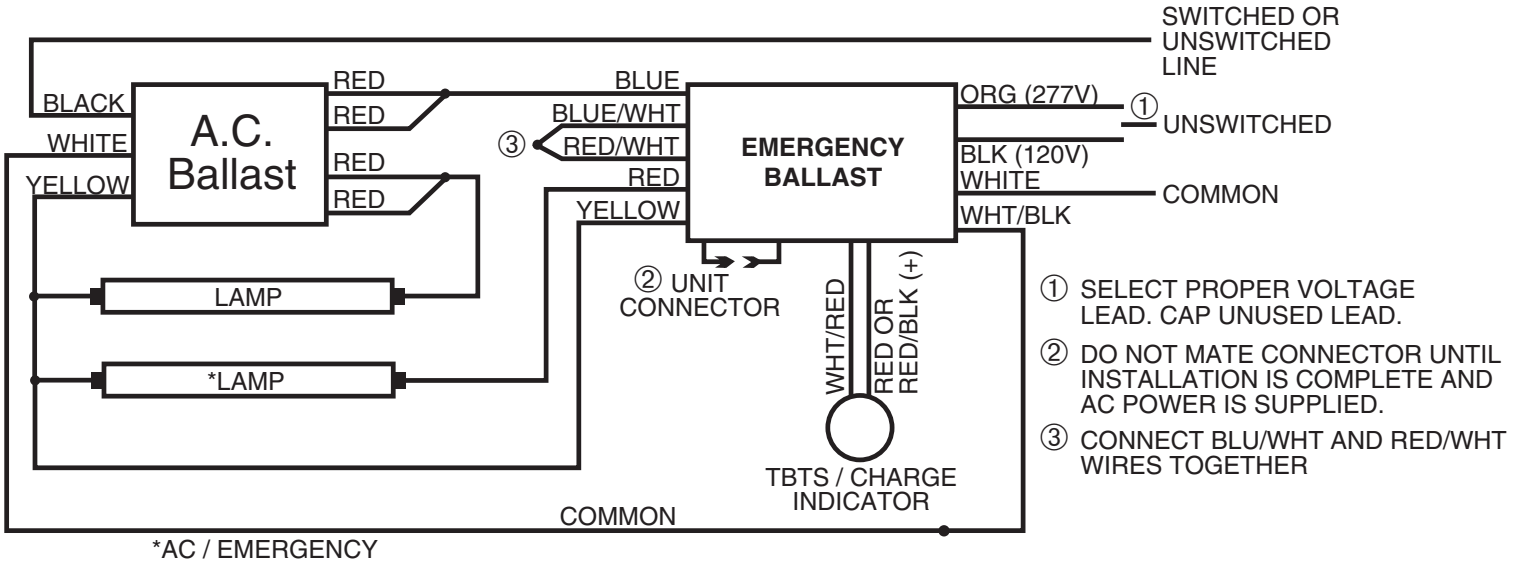
## THREE LAMP RAPID START BALLAST



3LRSB\_ISL\_2

### NOTES

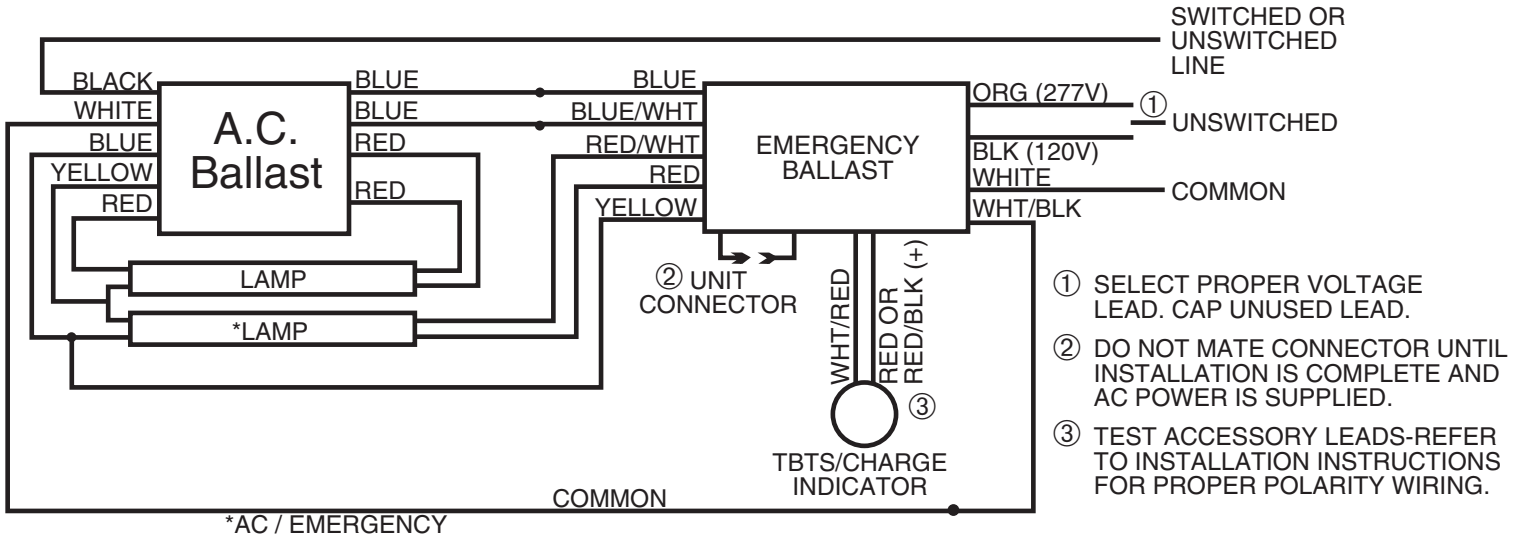
## TWO LAMP INSTANT START FULLHAM BALLAST



2LISFB\_ISL

### NOTES

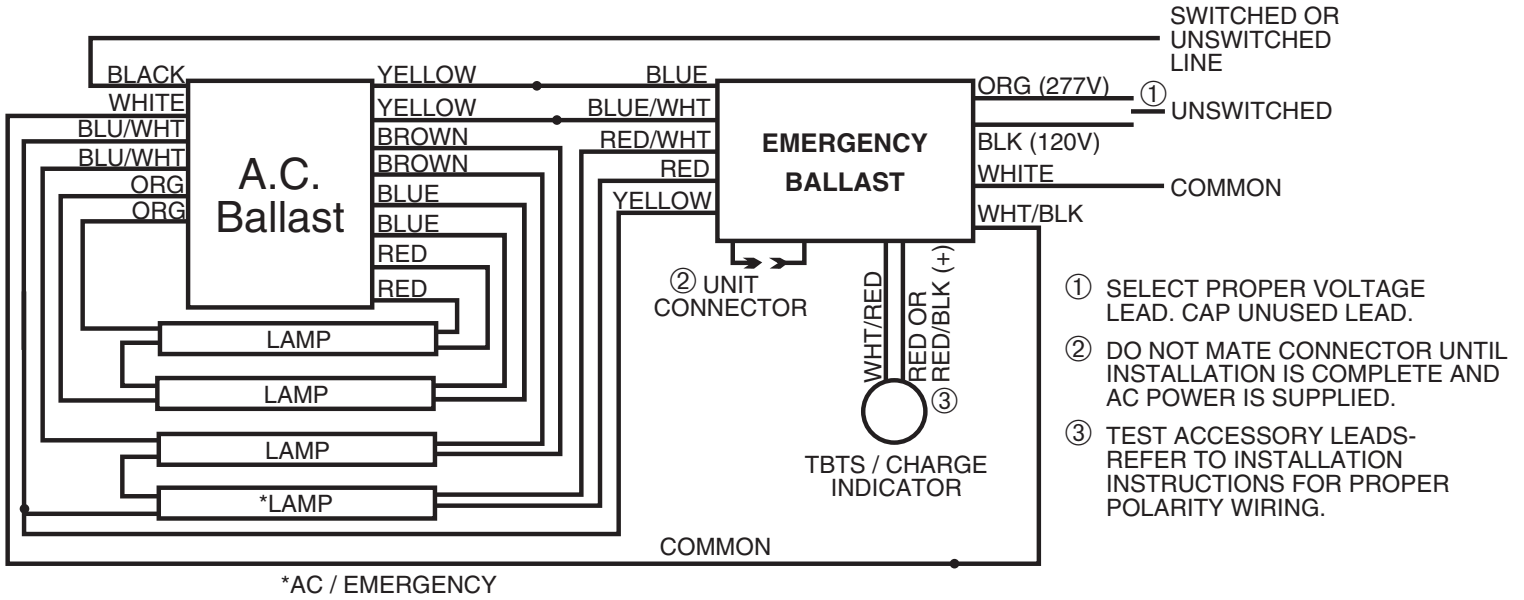
## SUNPARK TWO LAMP RAPID START BALLAST



2LRSB\_SP\_ISL

### NOTES

## FOUR LAMP RAPID START BALLAST

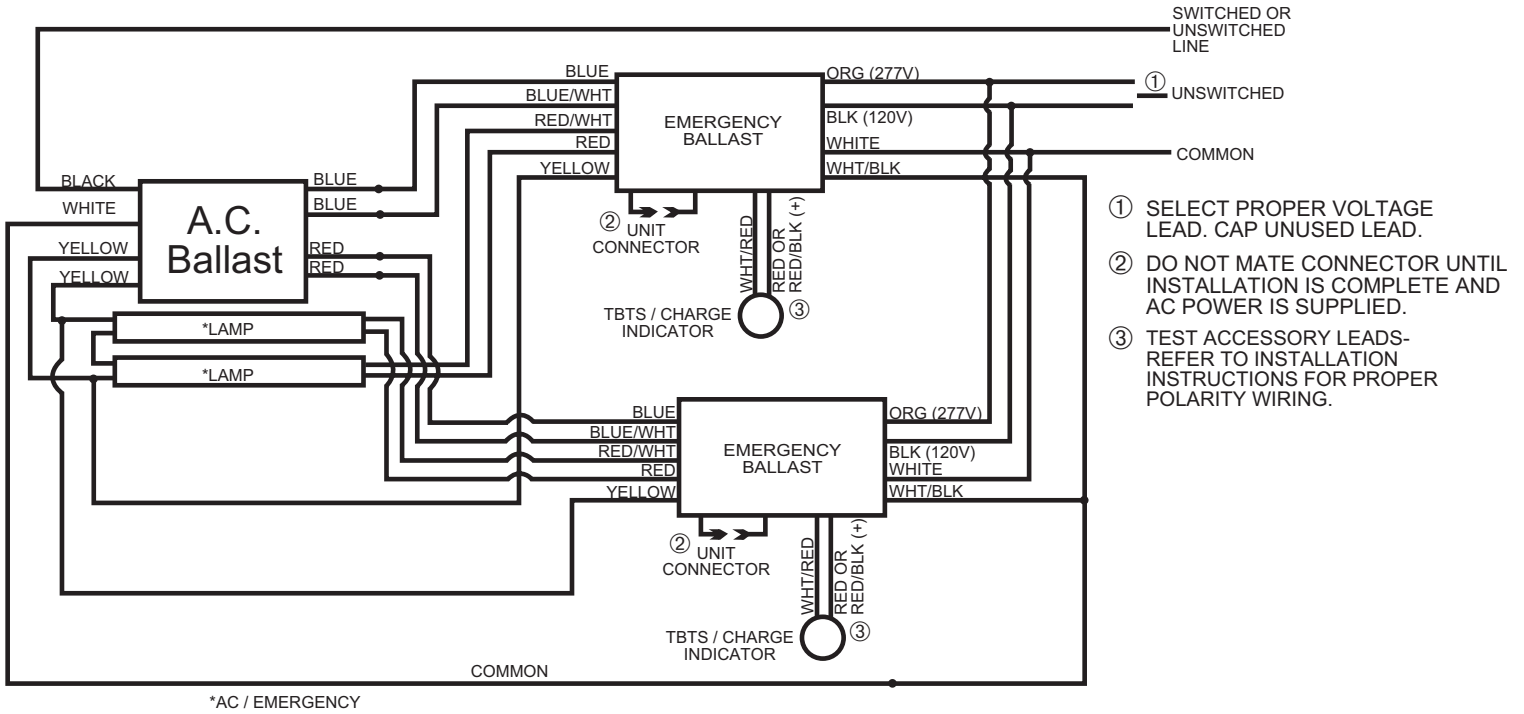


4LRSB\_ISL

### NOTES

Blank area for notes.

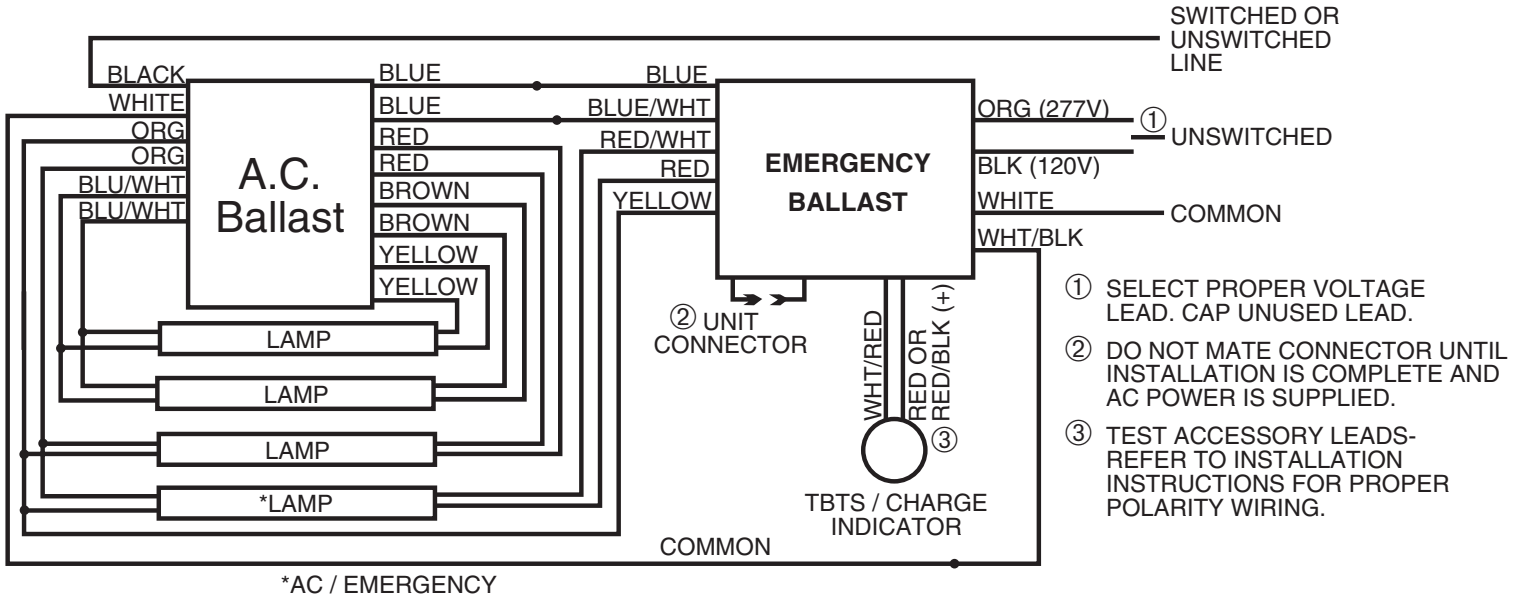
## TWO LAMP RAPID START BALLAST WITH DUAL EMERGENCY OPERATION



2LRSBDUAL\_ISL

### NOTES

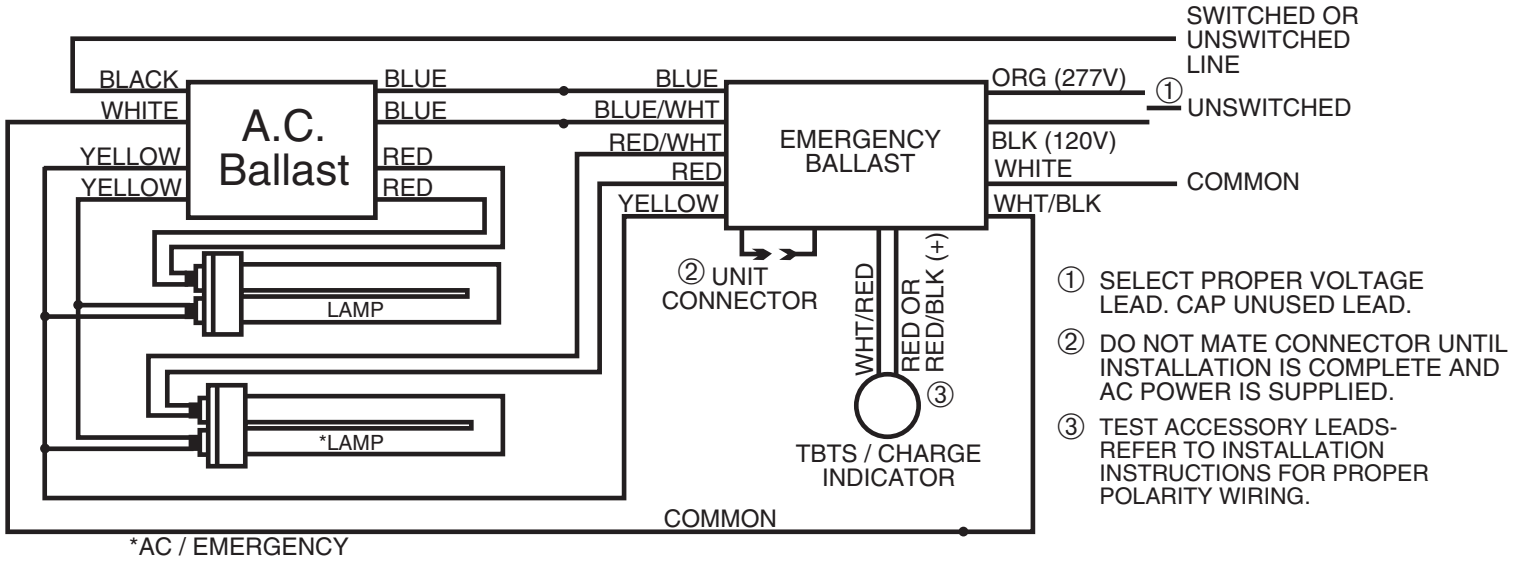
## FOUR LAMP RAPID START BALLAST



4LRSB\_ISL\_2

### NOTES

## TWO LAMP RAPID START BALLAST

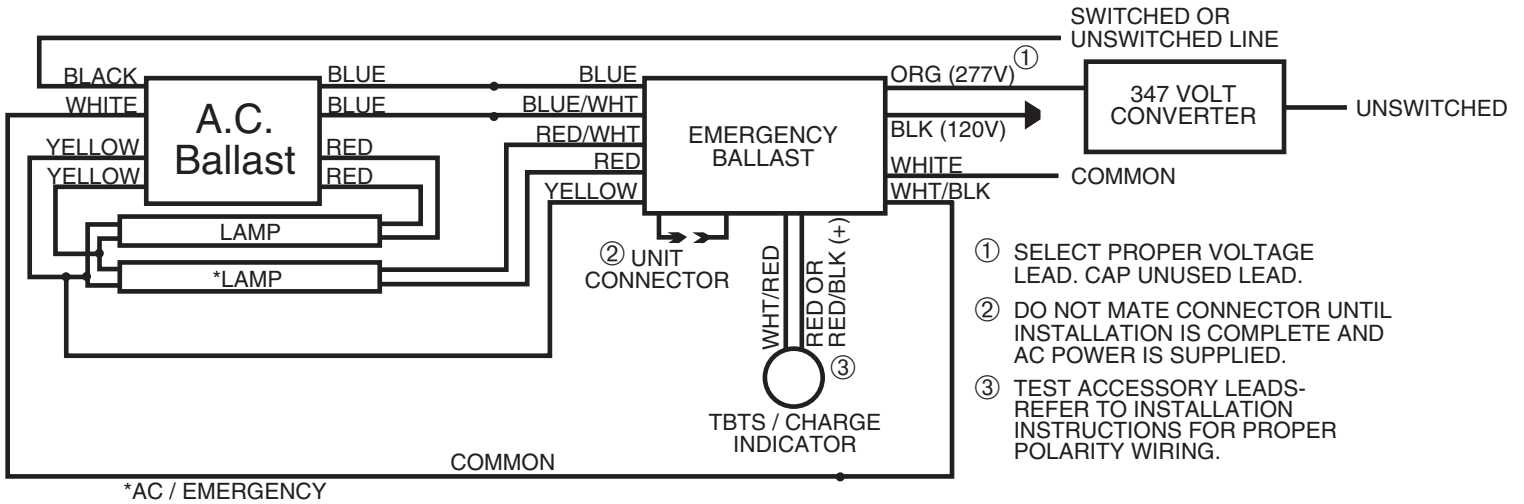


2BXLRSB\_ISL

### NOTES



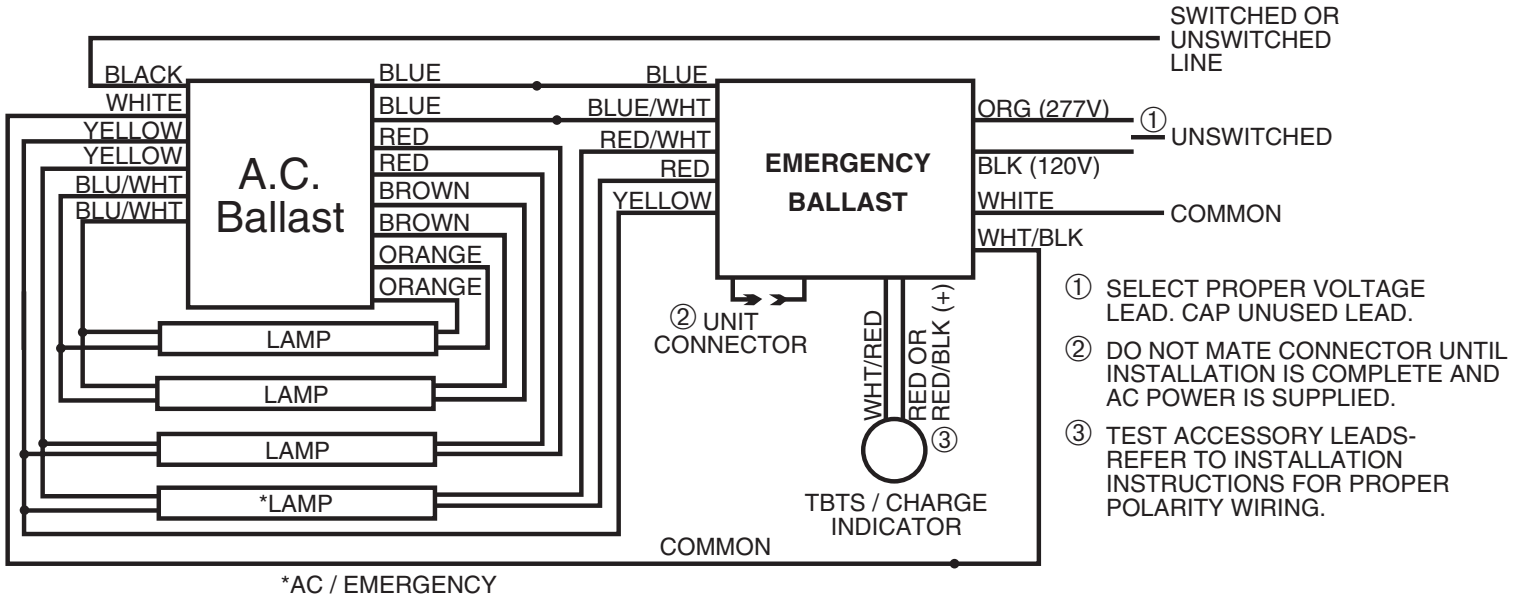
## TWO LAMP RAPID START BALLAST WITH 347V CONVERTER



2LRSB\_ISL\_347

### NOTES

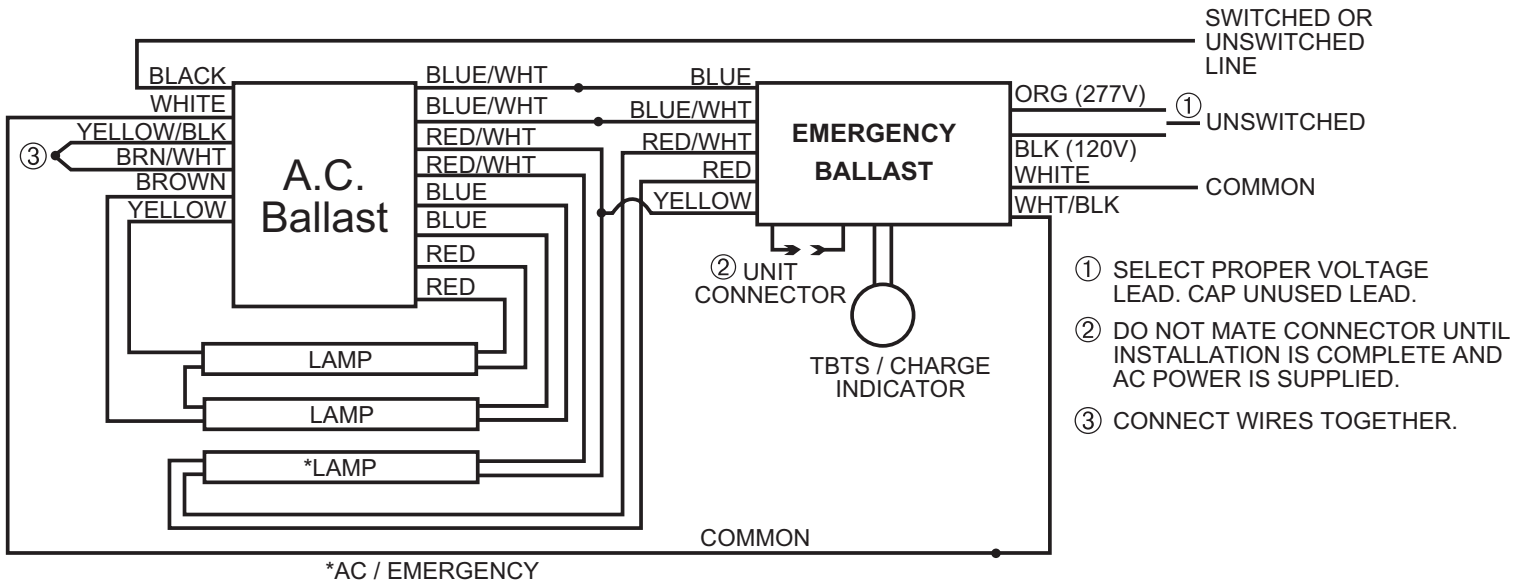
## FOUR LAMP RAPID START BALLAST



4LRSB\_ISL\_3

### NOTES

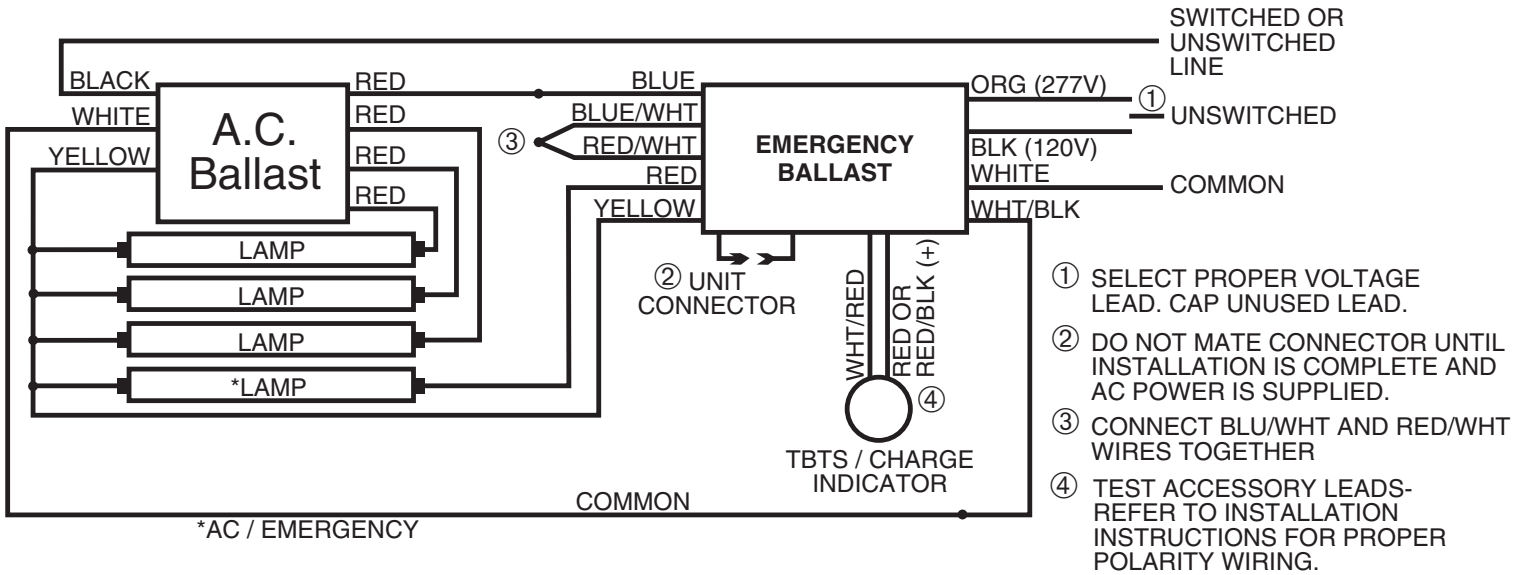
## FOUR LAMP RAPID START BALLAST WITH THREE LAMPS ONLY



4LR5B\_ISL\_4

### NOTES

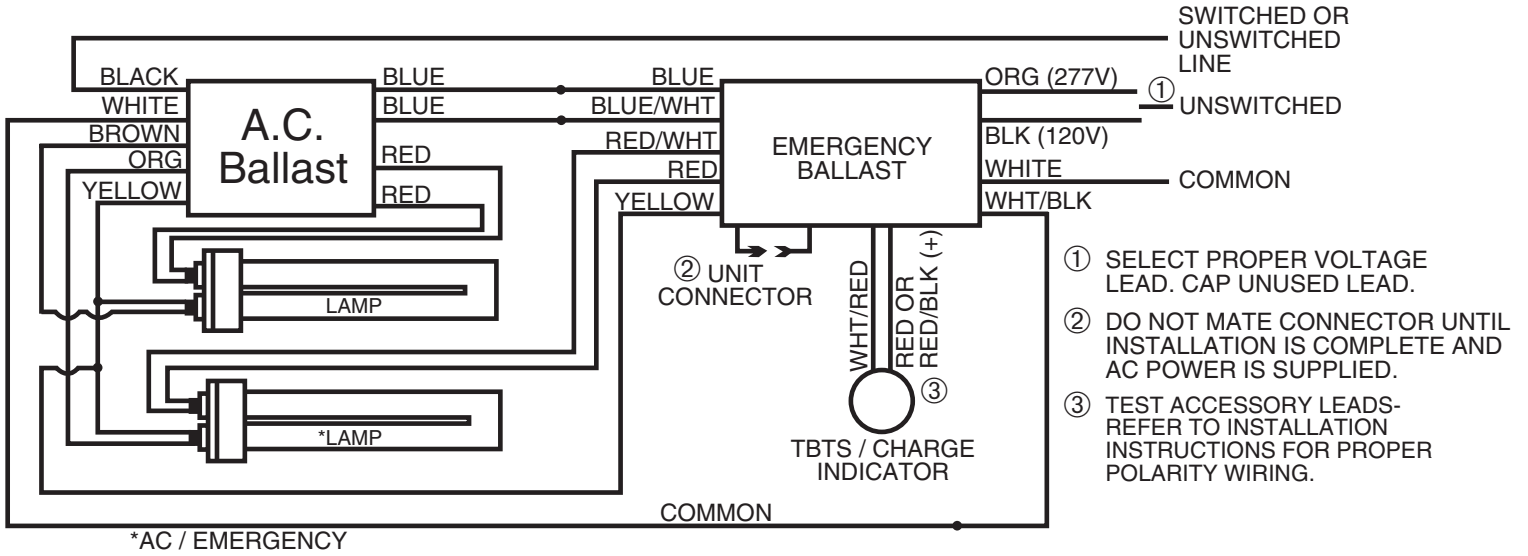
## FOUR LAMP INSTANT START FULHAM BALLAST



4LISFB\_ISL

### NOTES

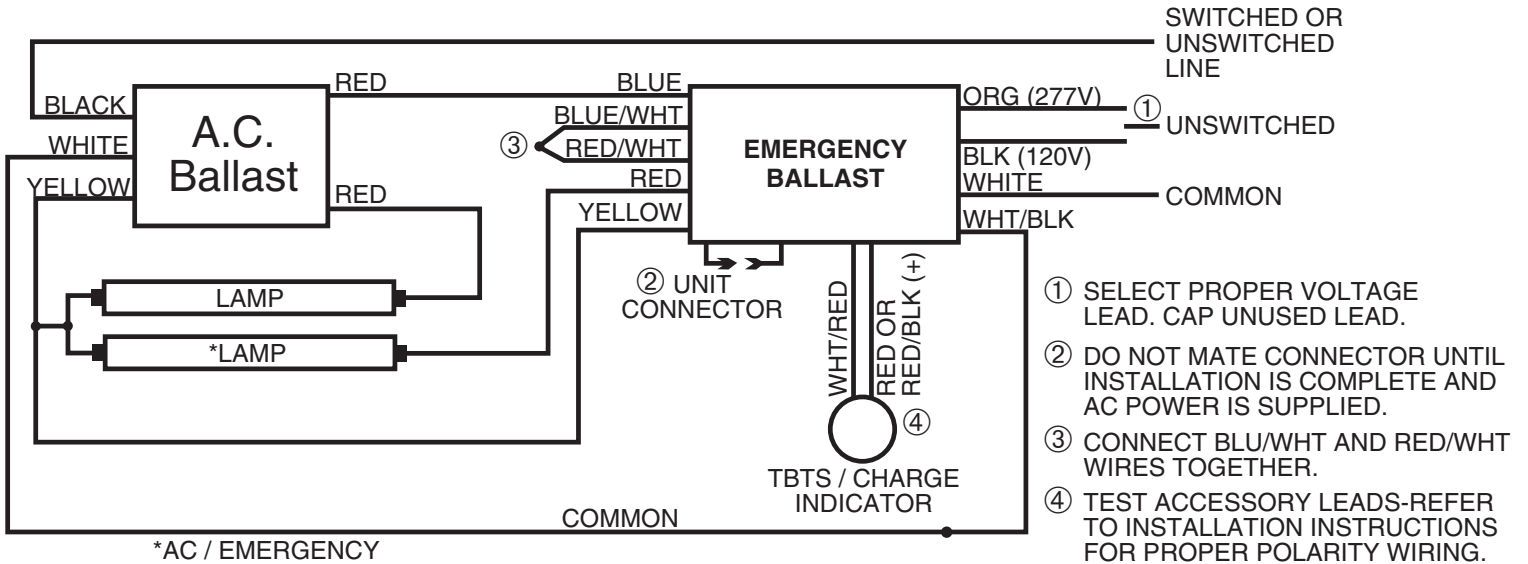
## TWO BIAx LAMP RAPID START BALLAST



2BXLRSB\_2\_ISL

### NOTES

## TWO LAMP FULHAM INSTANT START BALLAST

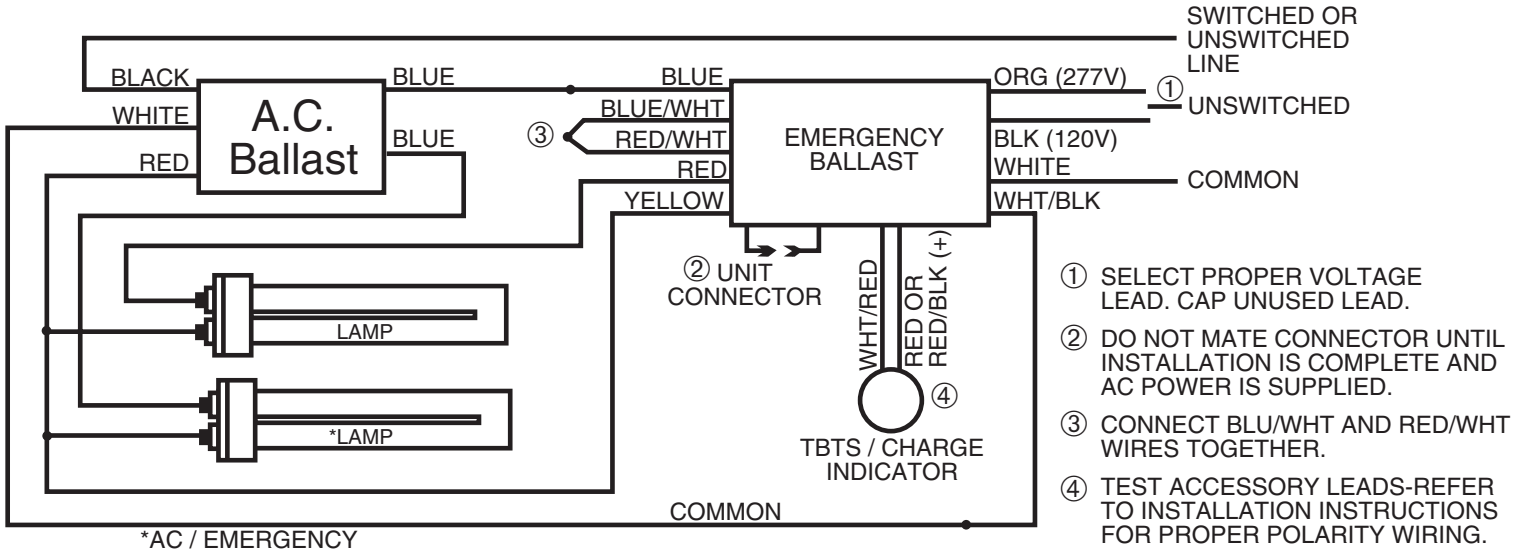


2LISB\_3\_F\_ISL

### NOTES

Blank area for notes.

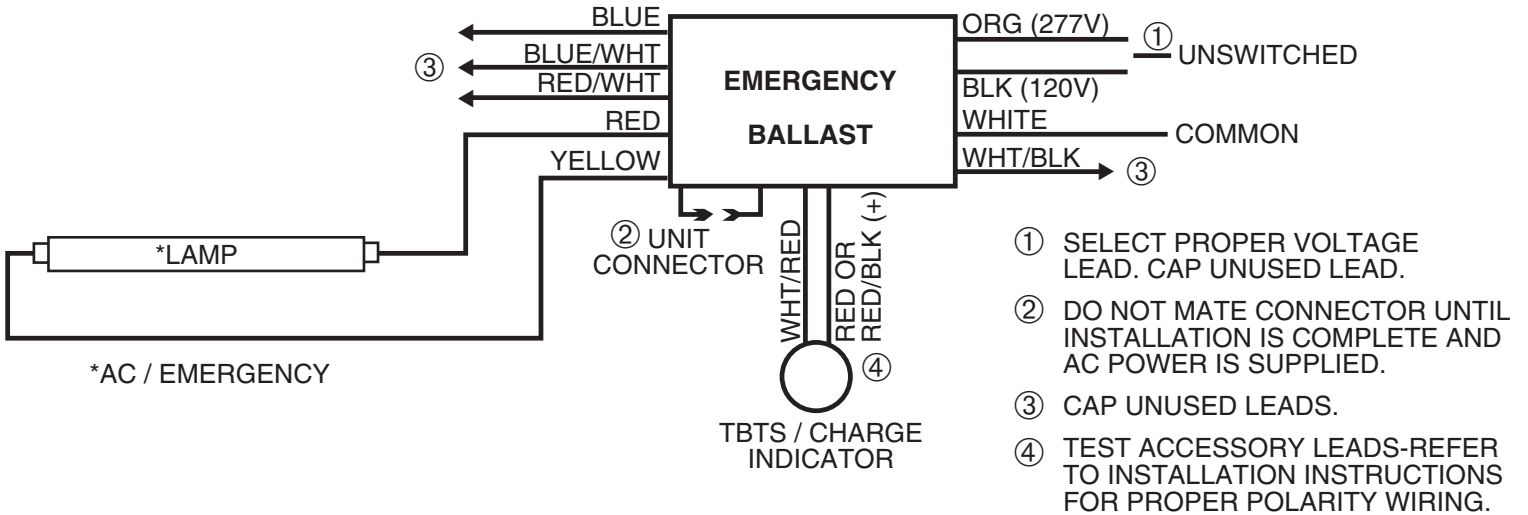
## TWO BIAX LAMP RAPID START BALLAST



2LISBX\_D

### NOTES

**ONE LAMP EMERGENCY ONLY**

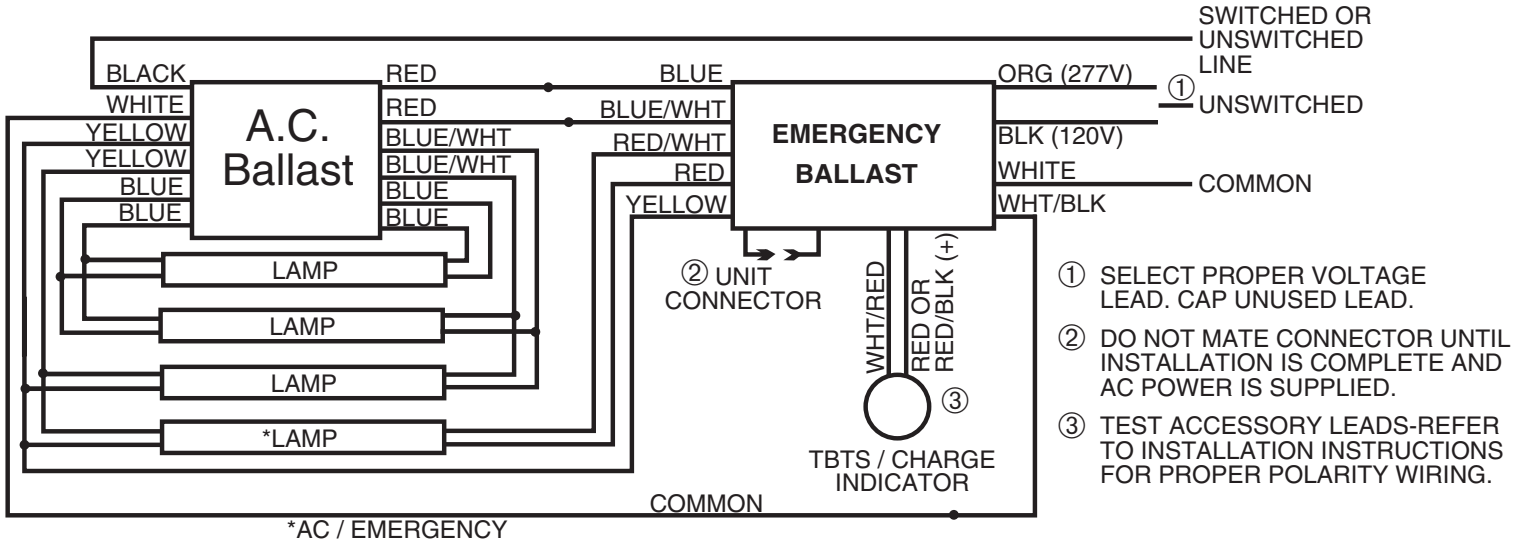


1LEO\_D

**NOTES**



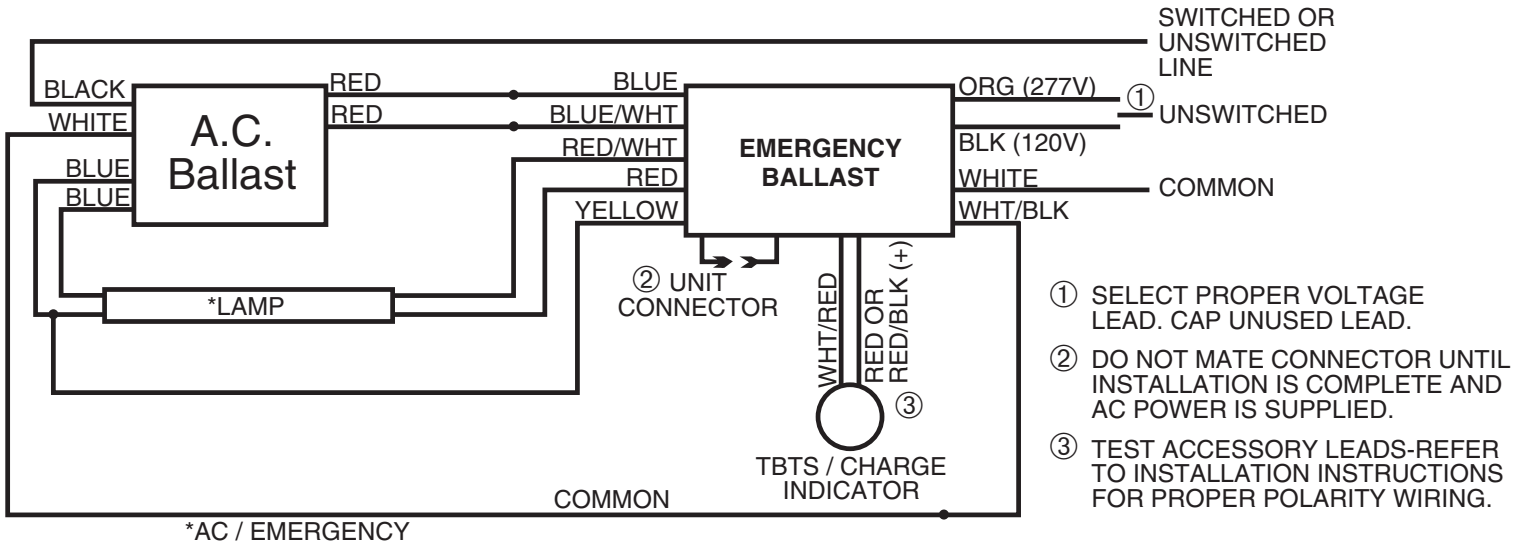
## FOUR LAMP RAPID START BALLAST



4LRSB\_D

### NOTES

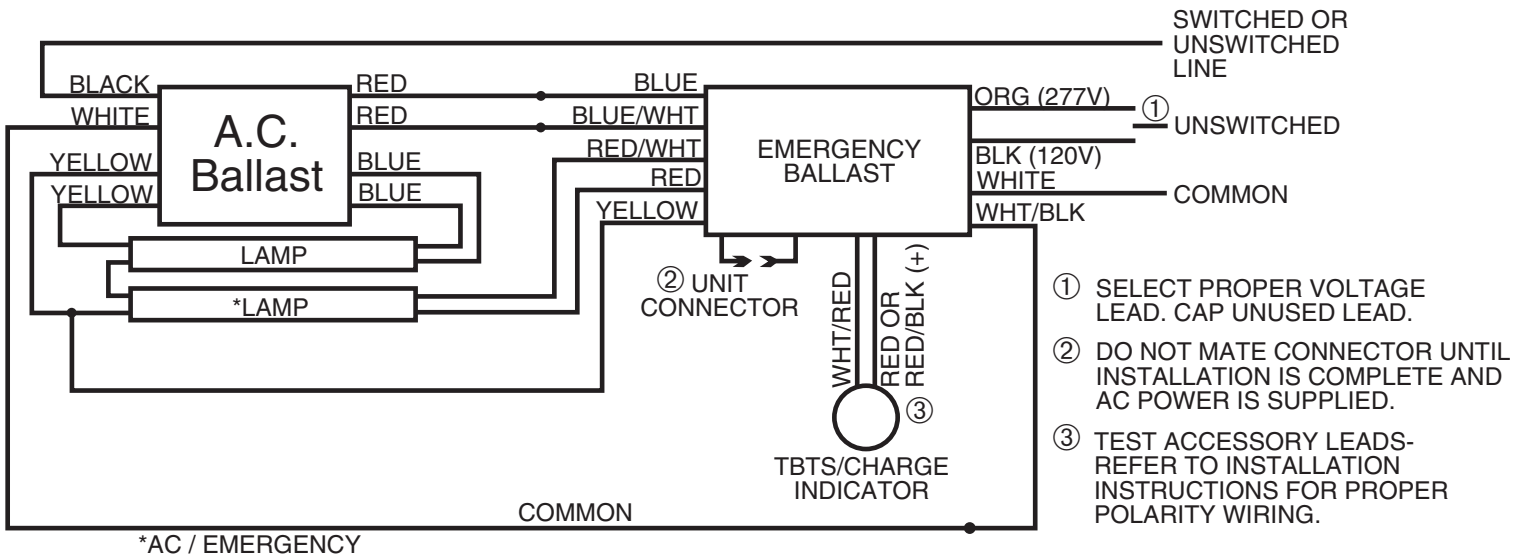
## ONE LAMP OSRAM PROGRAM START BALLAST



1LOS B

### NOTES

## TWO LAMP OSRAM PROGRAM START BALLAST

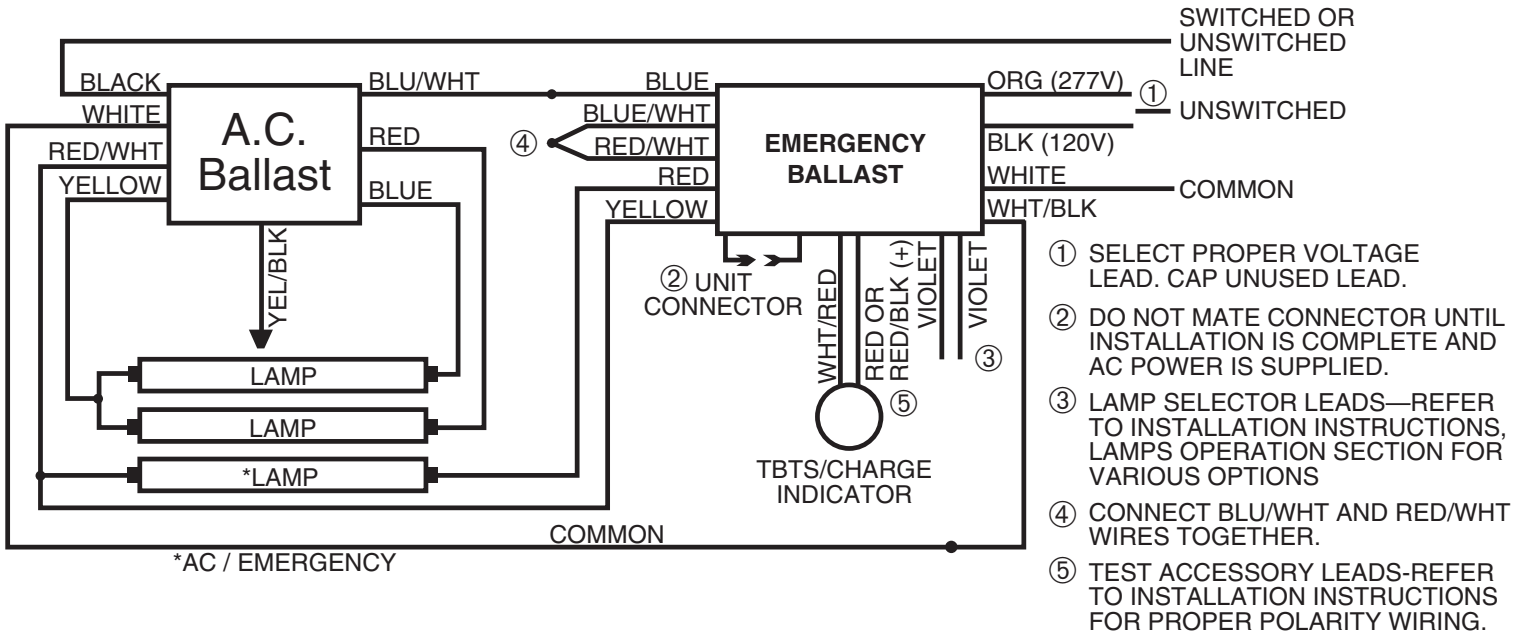


2LOS<sub>B</sub>\_ISL

### NOTES

Blank area for notes.

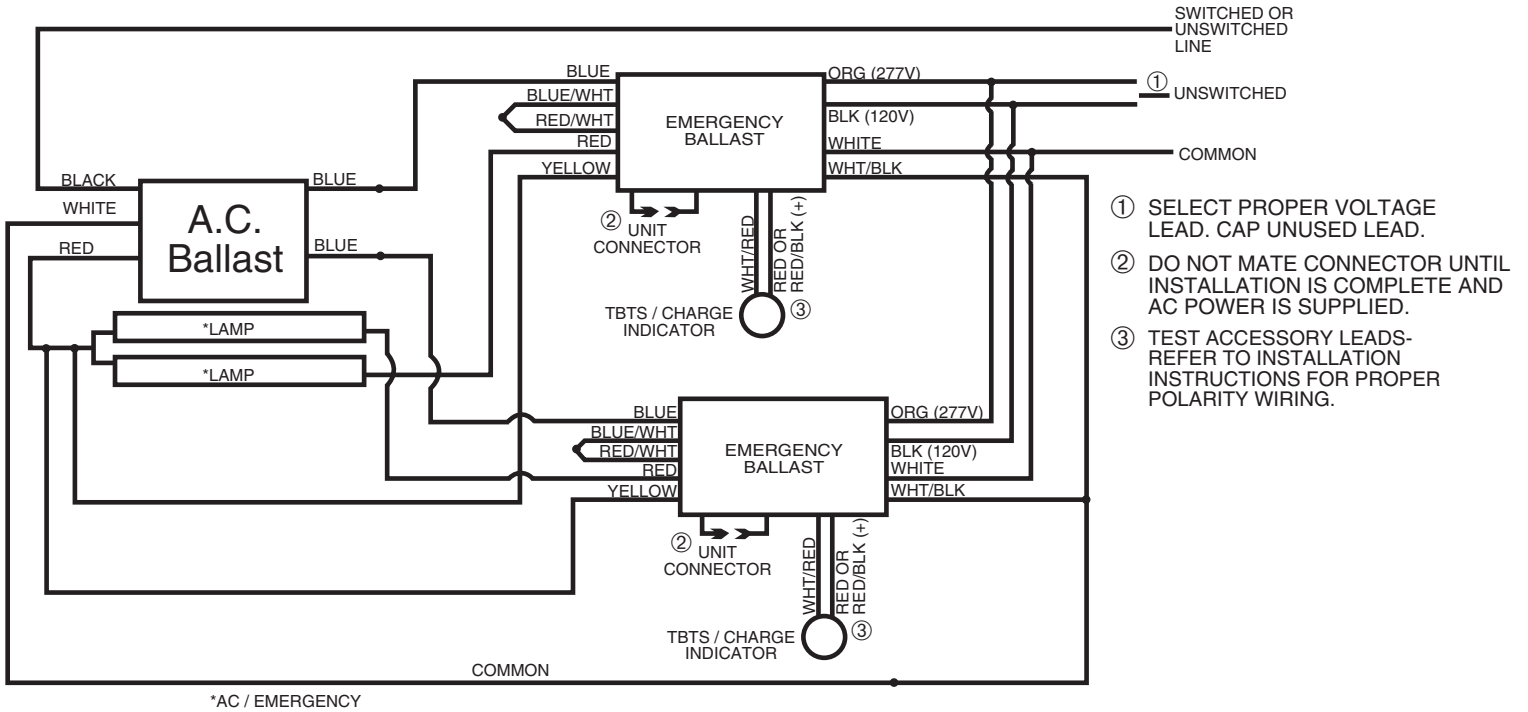
## THREE LAMP INSTANT START BALLAST



3LISB\_48ST\_3\_D

### NOTES

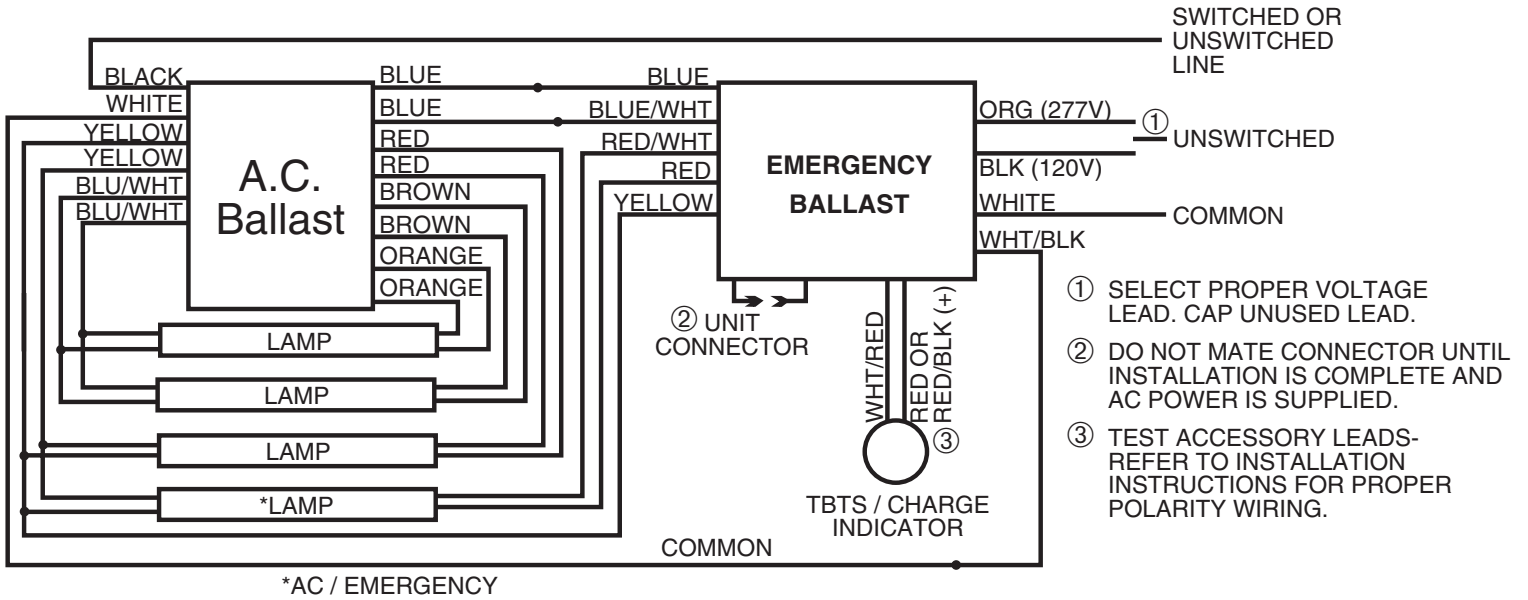
## TWO LAMP INSTANT START BALLAST WITH TWO LAMP EMERGENCY OPERATION



2LISBDUAL\_ISL

### NOTES

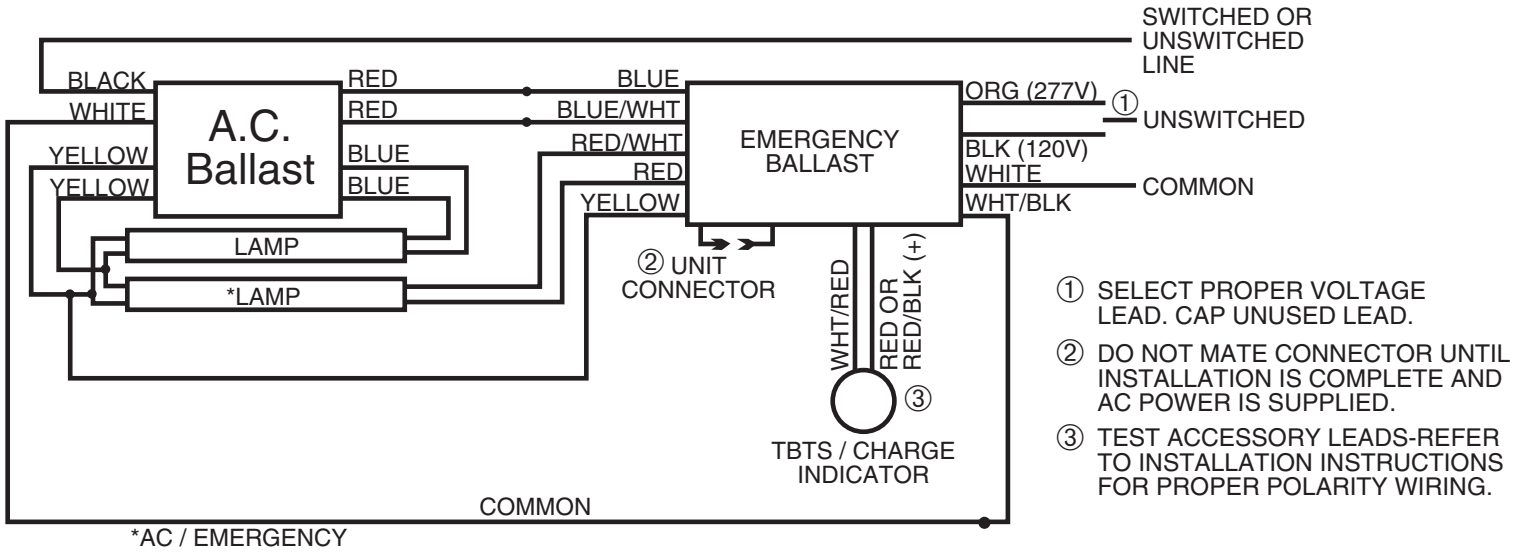
## FOUR LAMP RAPID START BALLAST



4LRB\_ISL\_3

### NOTES

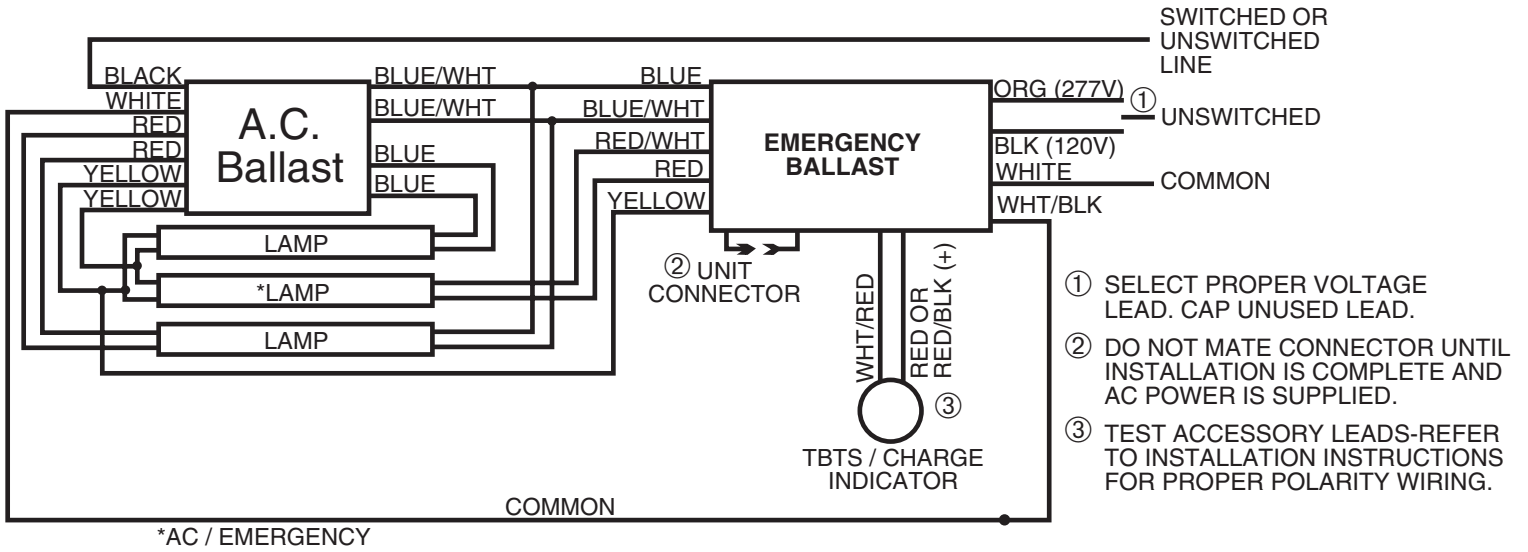
## TWO LAMP OSRAM PROGRAM START BALLAST



2LOS\_B\_D\_2

### NOTES

## THREE LAMP OSRAM PROGRAM START BALLAST

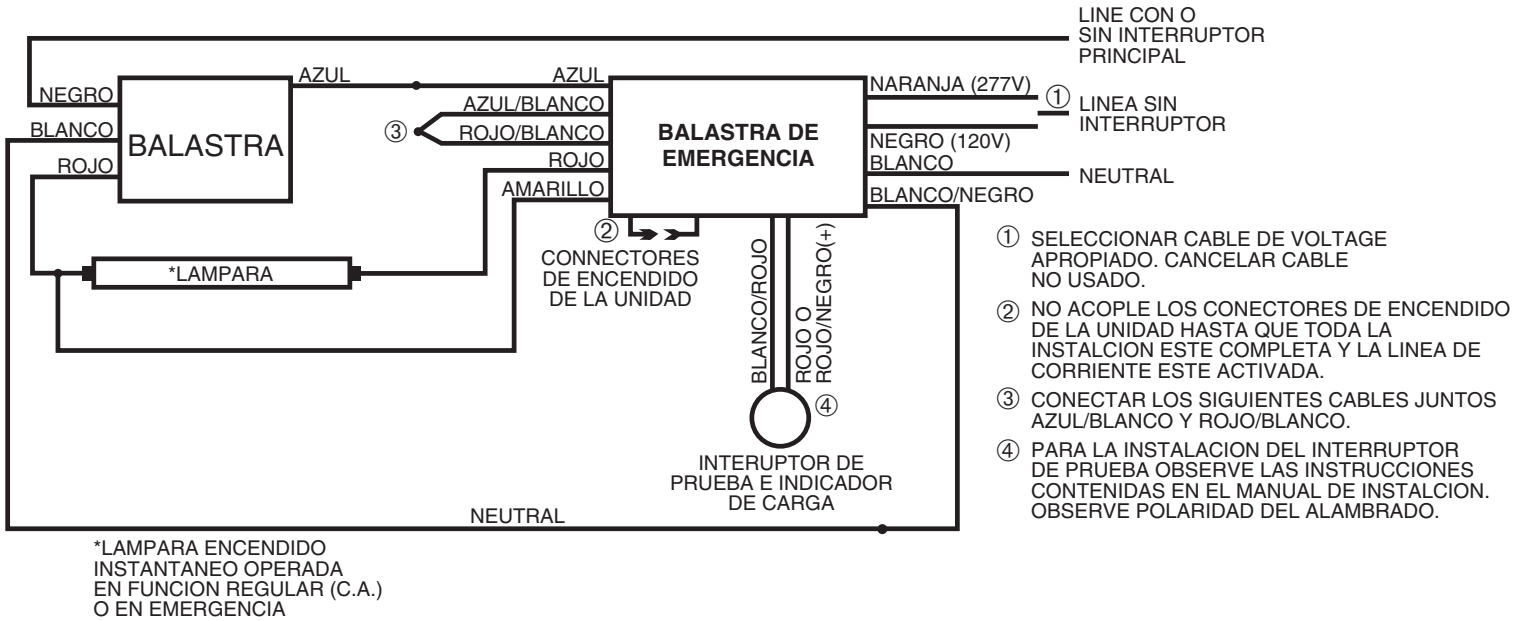


3LOS\_B\_D

### NOTES



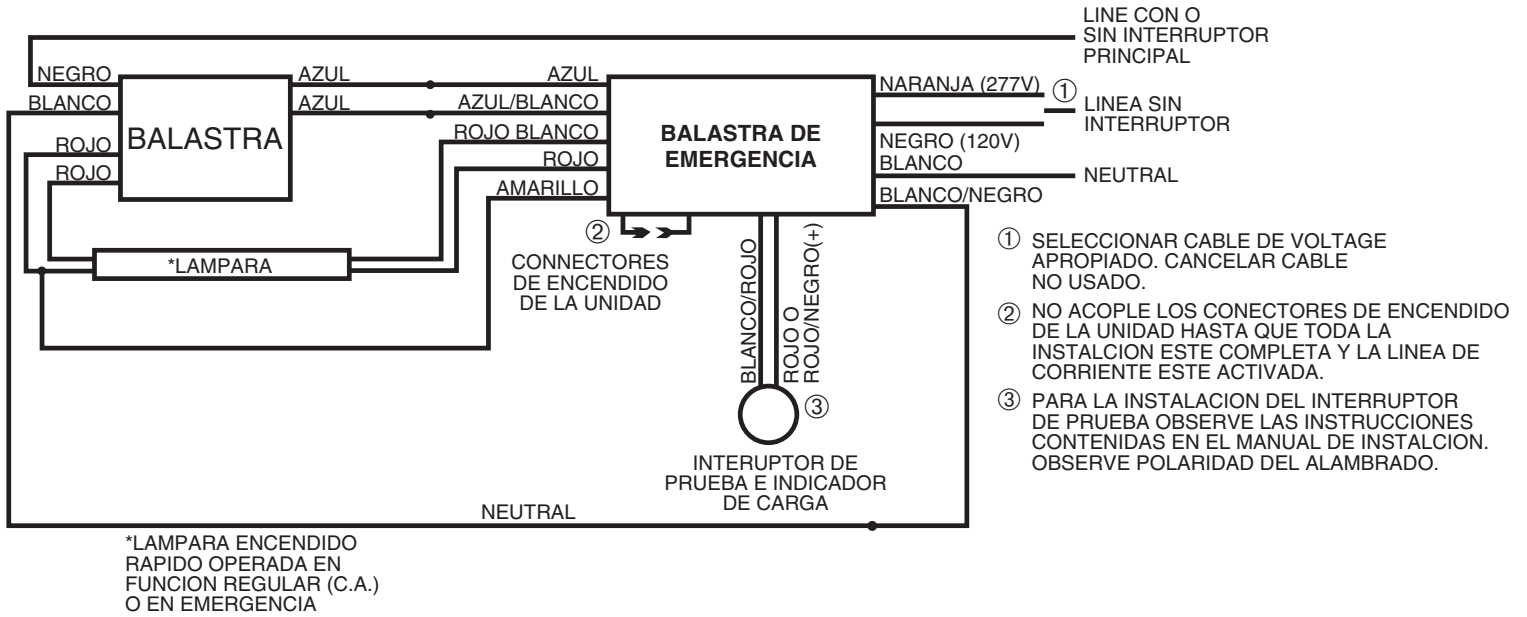
## INSTALACION CON UNA SOLO LAMPARA DE ENCENDIDO INSTANTANEO (INSTANT START LAMP)



1LISB\_D\_SP

### NOTES

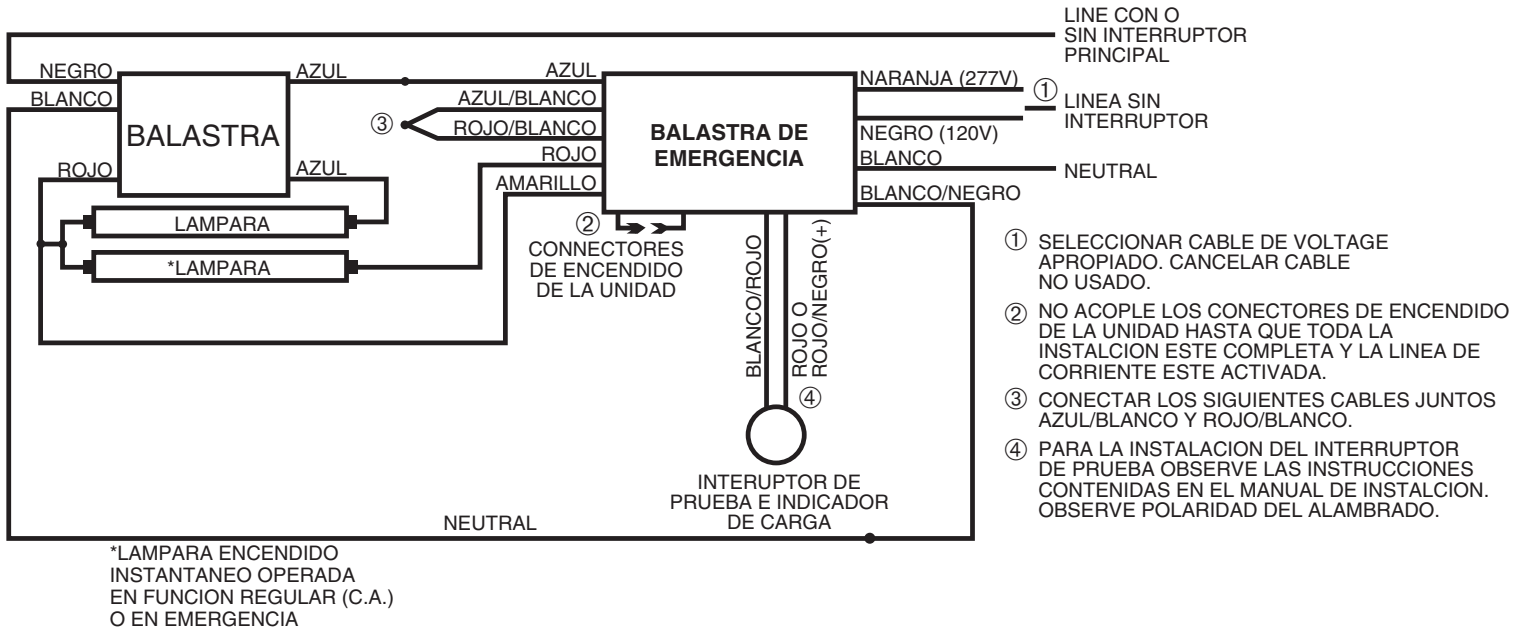
## INSTALACION CON UNA SOLA LAMPARA DE ENCENDIDO RAPIDO (RAPID START LAMP)



1LRSB\_D\_SP

### NOTES

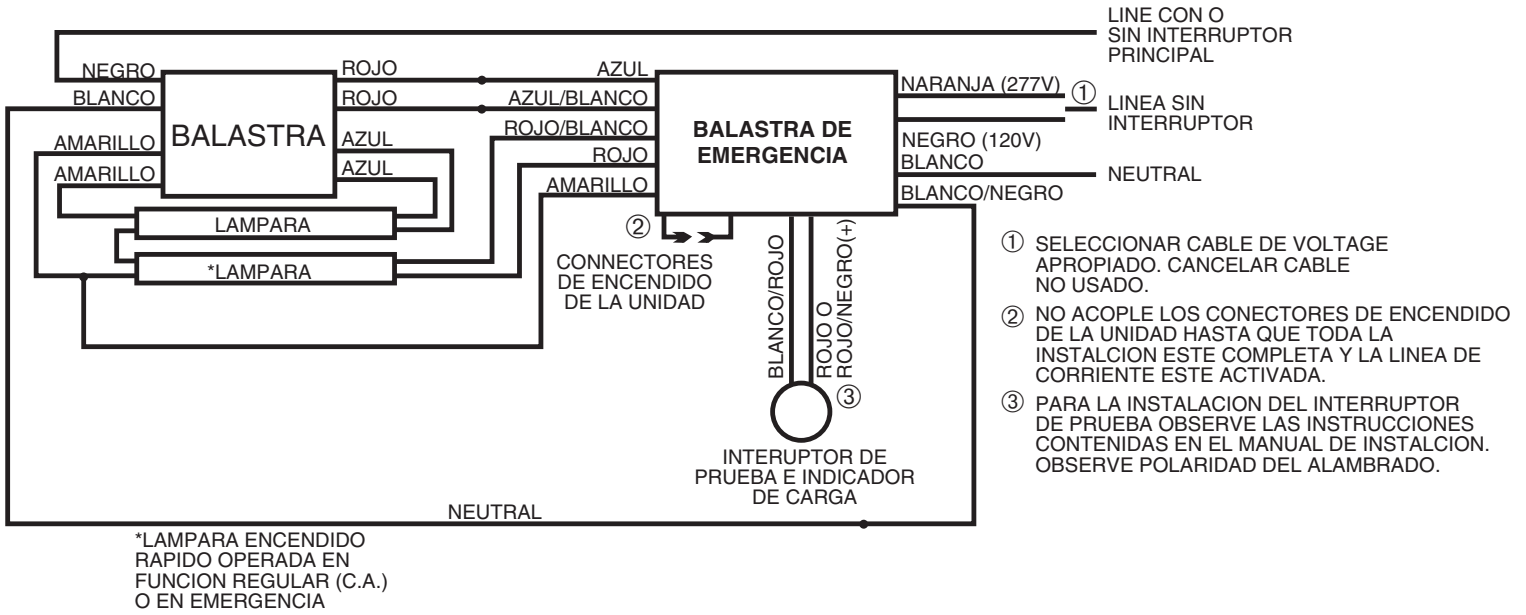
## INSTALACION CON DOS LAMPARAS DE ENCENDIDO INSTANTANEO



2LISB\_2\_D\_SP

### NOTES

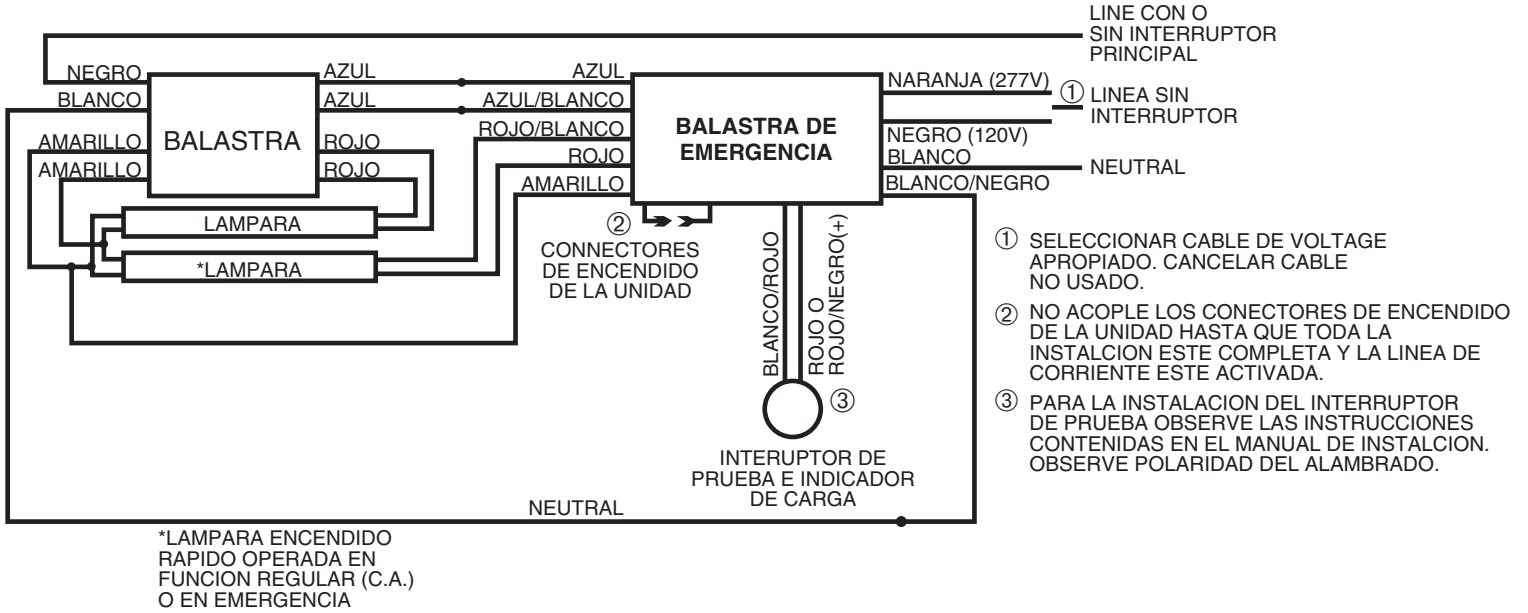
## INSTALACION CON DOS LAMPARAS DE ENCENDIDO RAPIDO



2LRSB\_D\_5\_SP

### NOTES

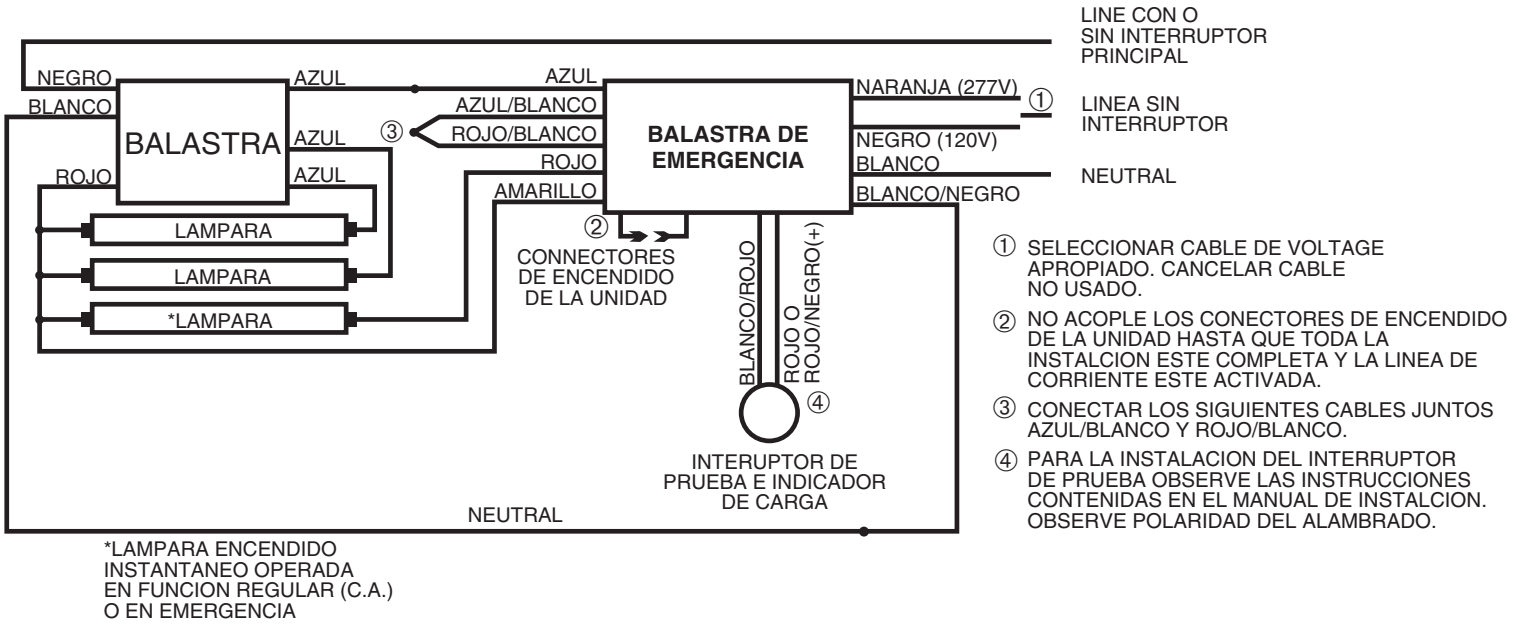
## INSTALACION CON UNA SOLA LAMPARA DE ENCENDIDO RAPIDO



2LRSB\_D\_SP

### NOTES

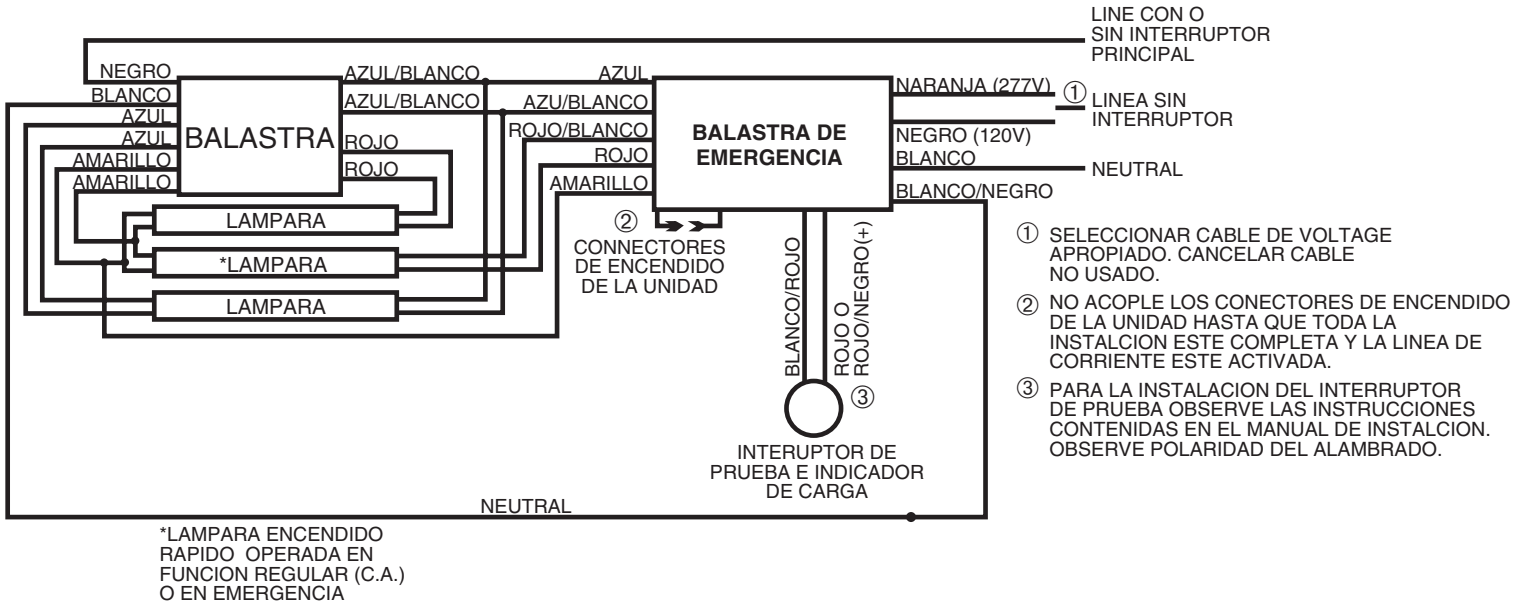
## INSTALACION CON TRES LAMPARAS DE ENCENDIDO INSTANTANEO



3LISB\_D\_SP

### NOTES

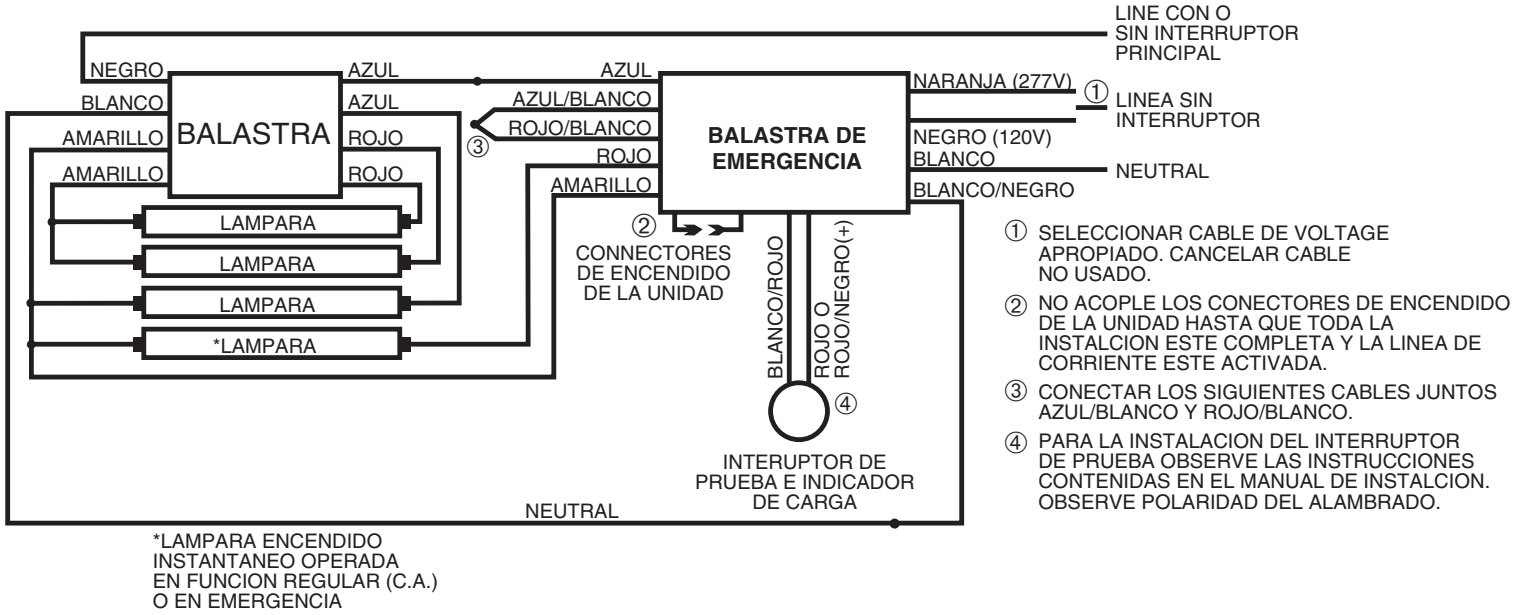
## INSTALACION CON TRES LAMPARAS DE ENCENDIDO RAPIDO



3LRSB\_D\_SP

### NOTES

## INSTALACION CON CUATRO LAMPARAS DE ENCENDIDO INSTANTANEO

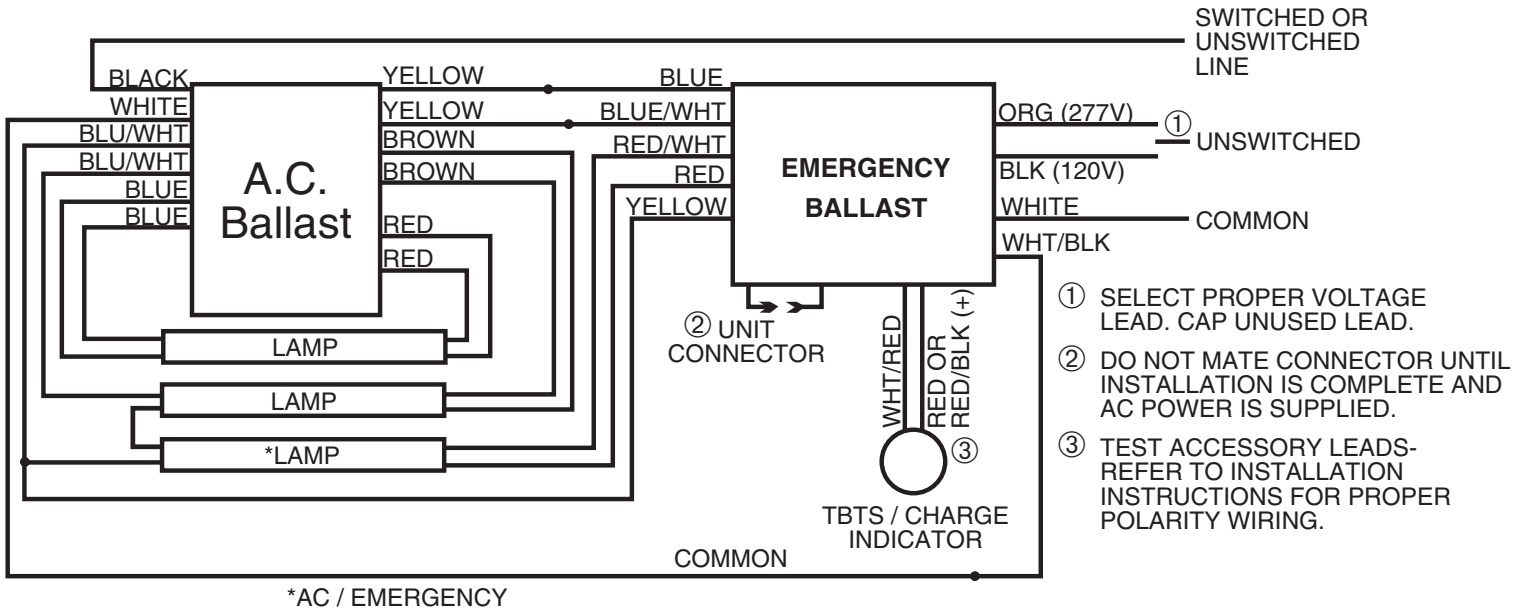


4LISB\_D\_SP

### NOTES



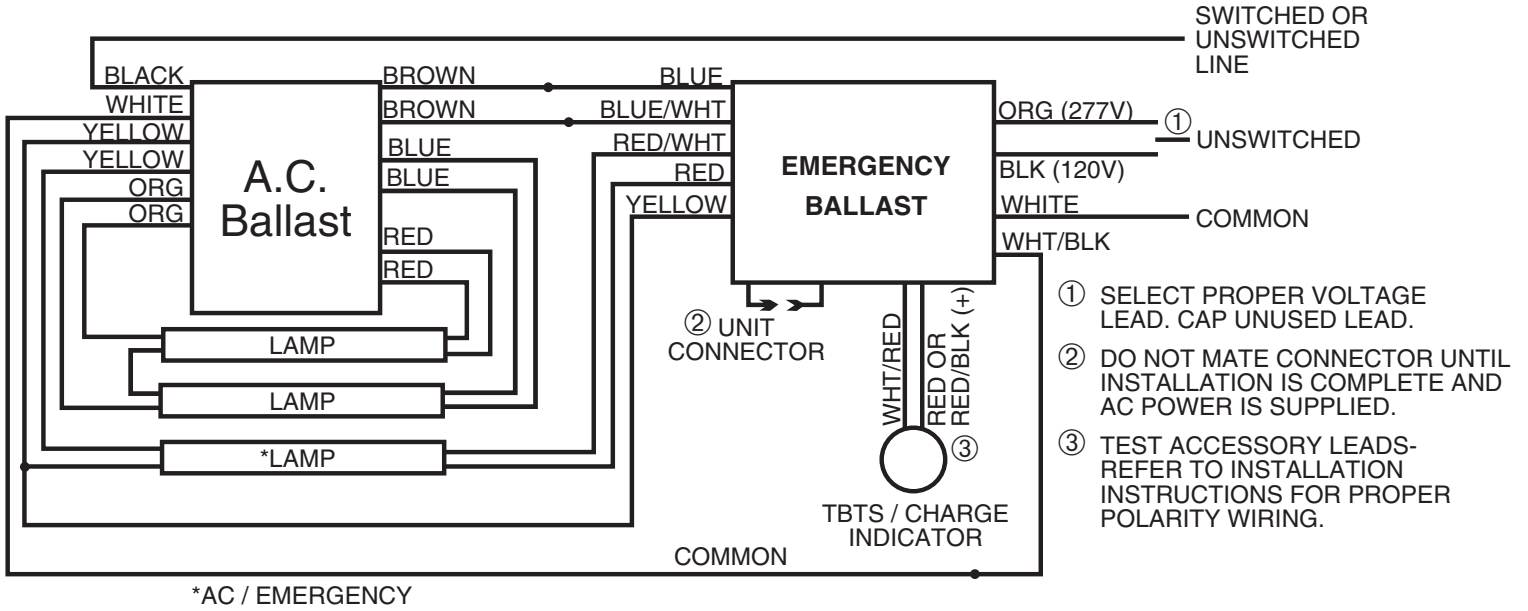
## THREE LAMP RAPID START BALLAST



3LRSB\_ISL\_3

### NOTES

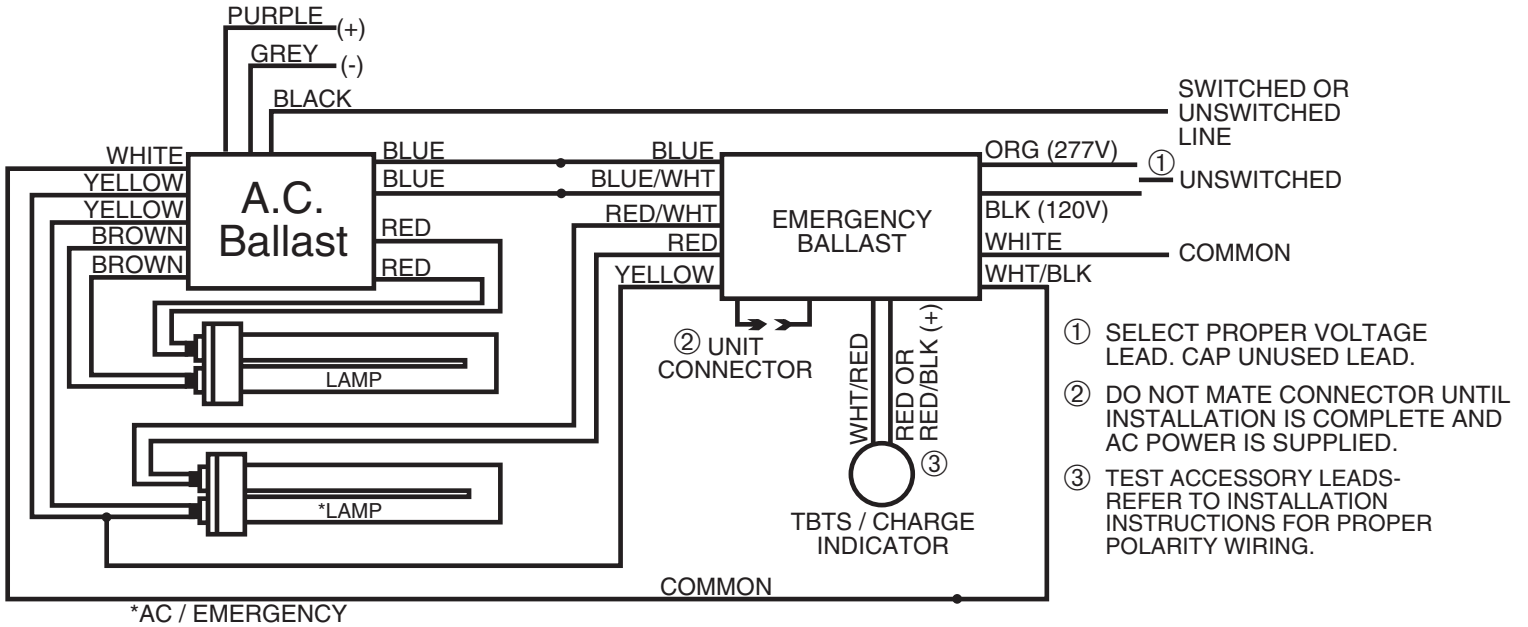
## THREE LAMP RAPID START BALLAST



3LRSB\_ISL\_4

### NOTES

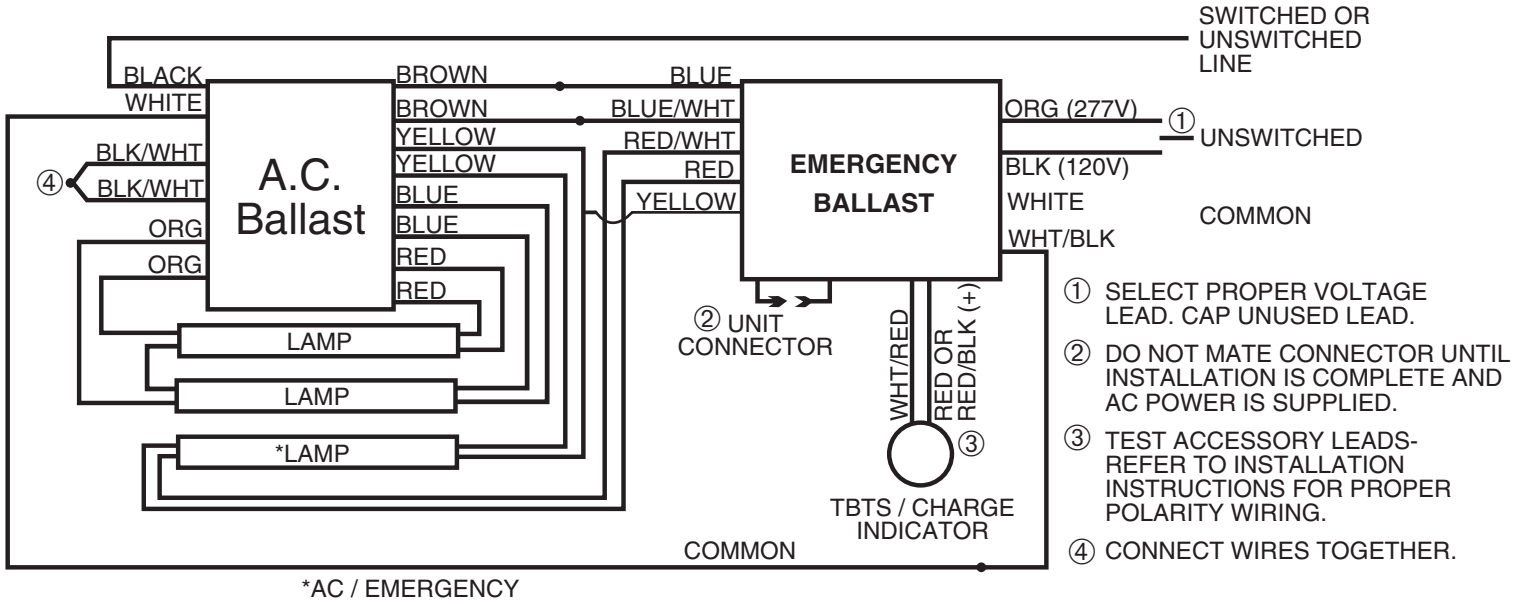
## TWO BIAX LAMP RAPID START BALLAST



2BXLRSB\_3\_ISL

### NOTES

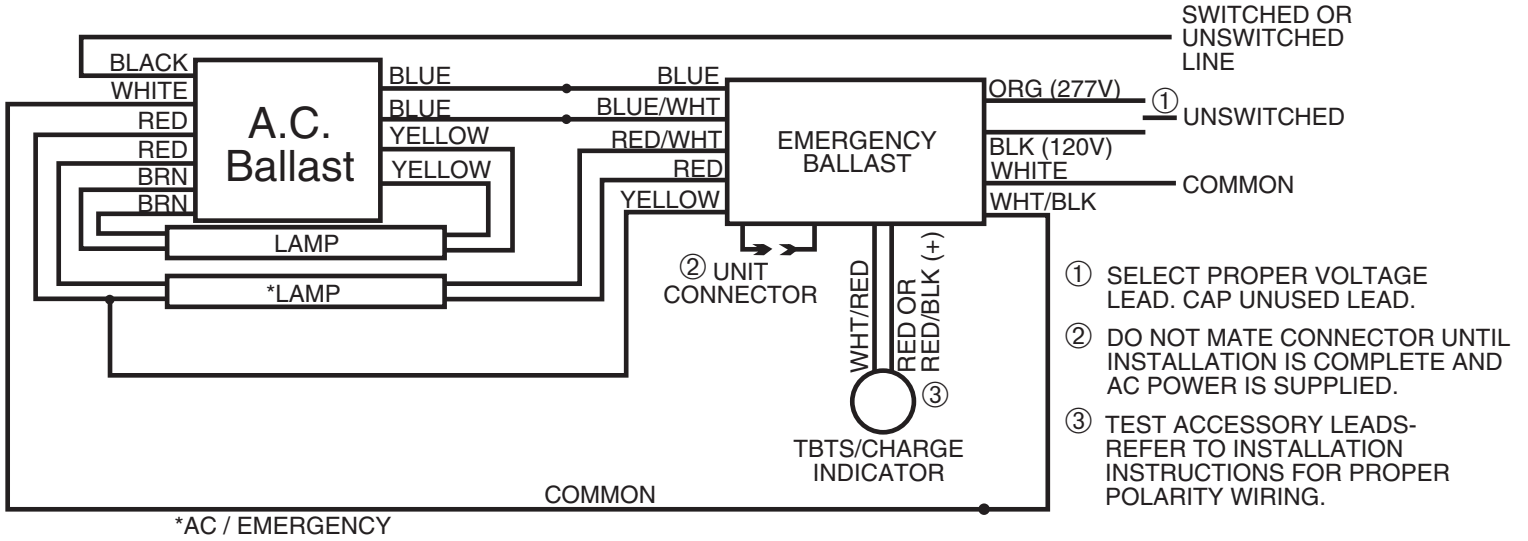
## FOUR LAMP RAPID START BALLAST WITH THREE LAMPS ONLY



4LR5B\_ISL\_5

### NOTES

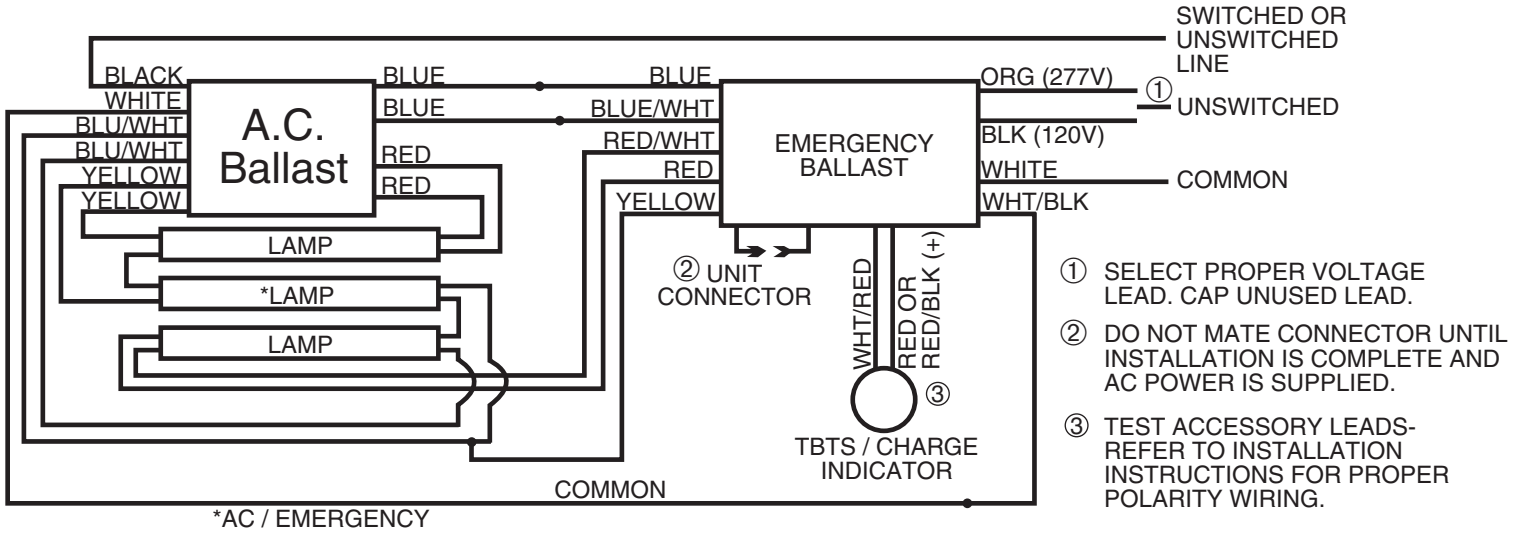
## TWO LAMP RAPID START BALLAST



2LRSB\_3\_ISL

### NOTES

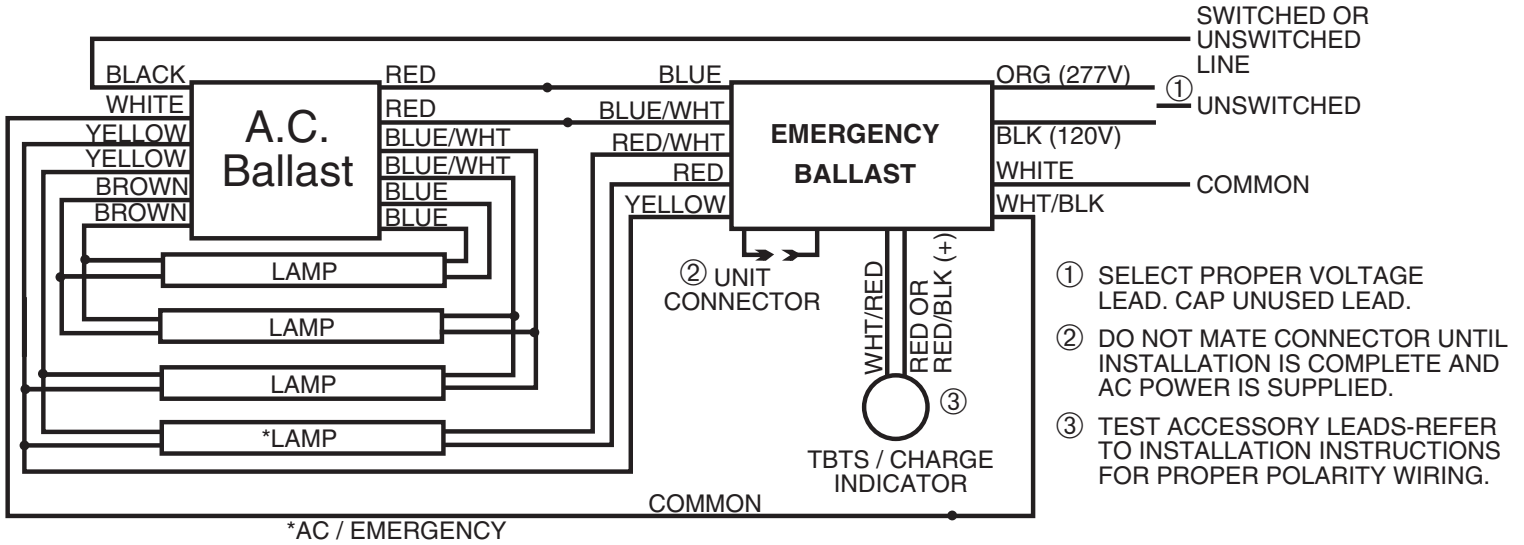
## THREE LAMP RAPID START BALLAST



3LRSB\_ISL\_5

### NOTES

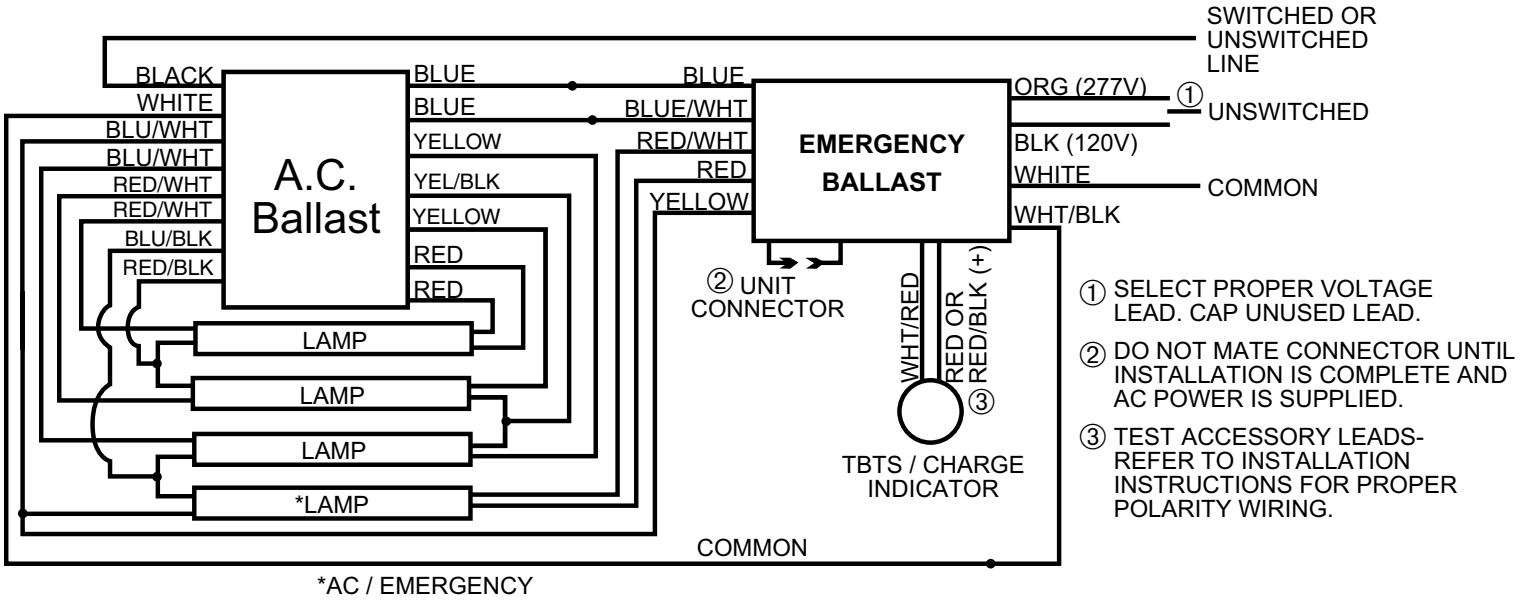
## FOUR LAMP RAPID START BALLAST



4LR5B\_6\_D

### NOTES

## FOUR LAMP RAPID START BALLAST



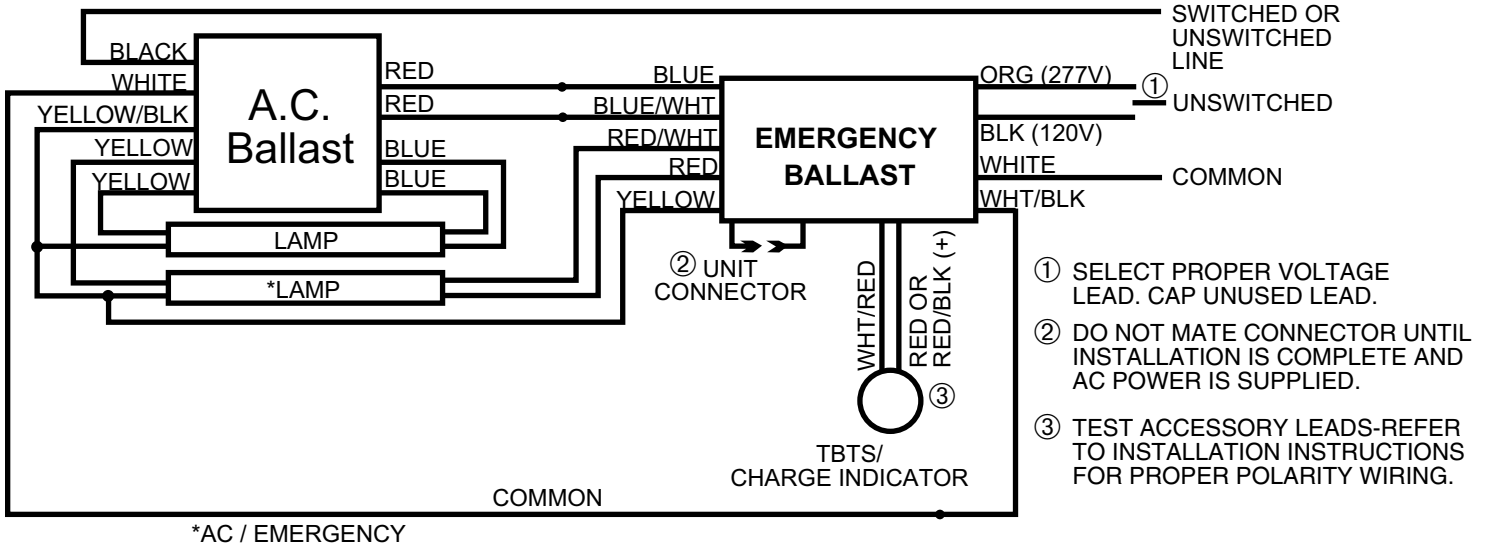
4LRSB\_ISL

### NOTES

Blank area for notes.



## TWO LAMP RAPID START BALLAST

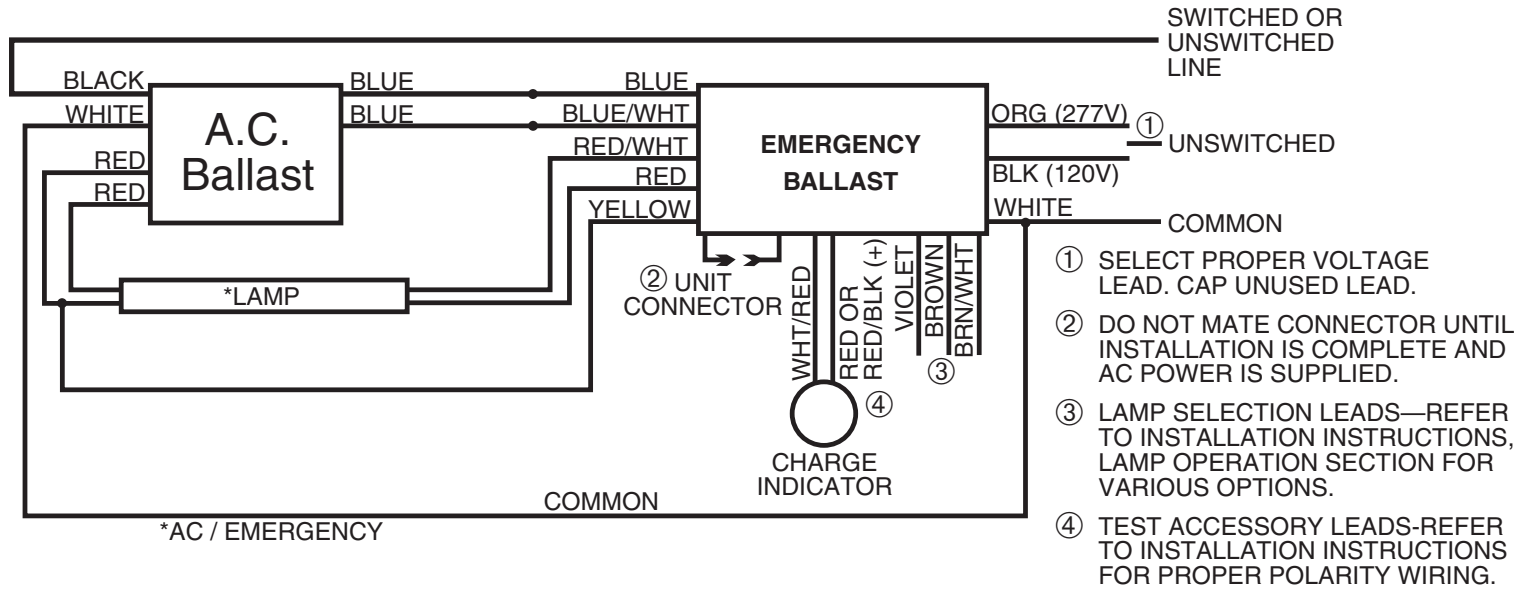


NOTE:  
DIMMING WIRE IS NOT AFFECTED BY THE EM BALLAST

2LRSB\_420\_D

### NOTES

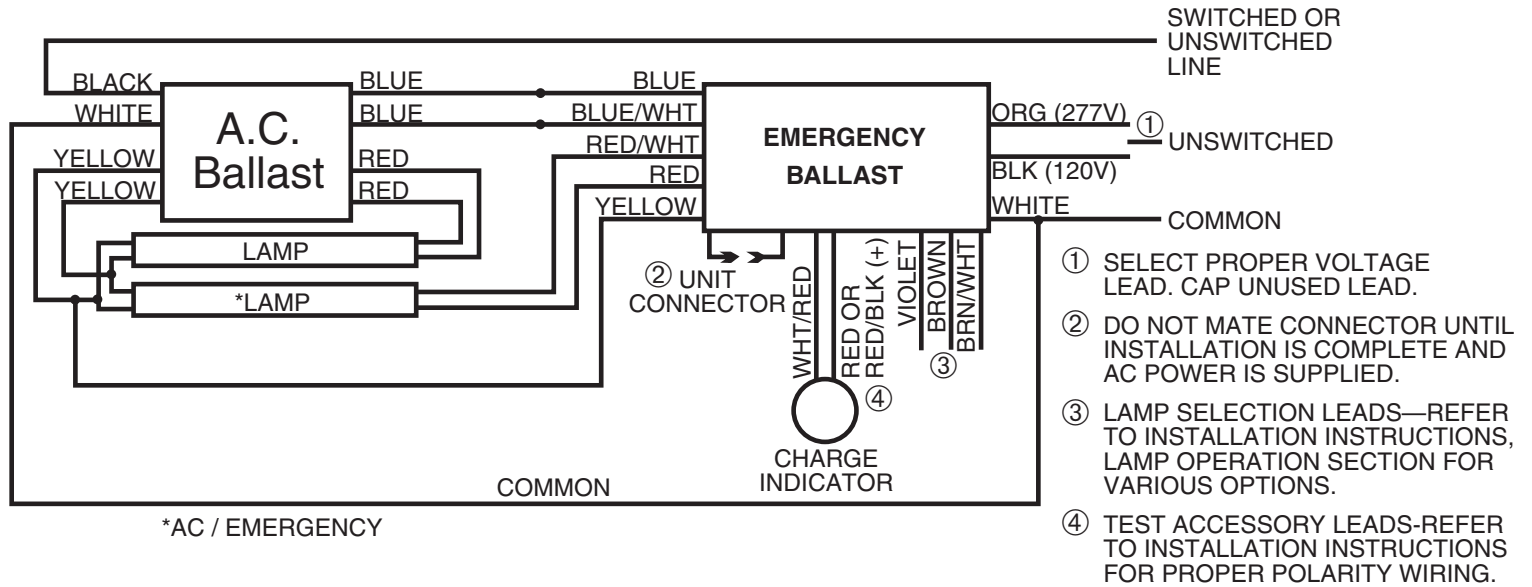
## ONE LAMP RAPID START BALLAST



1LRSB\_160

### NOTES

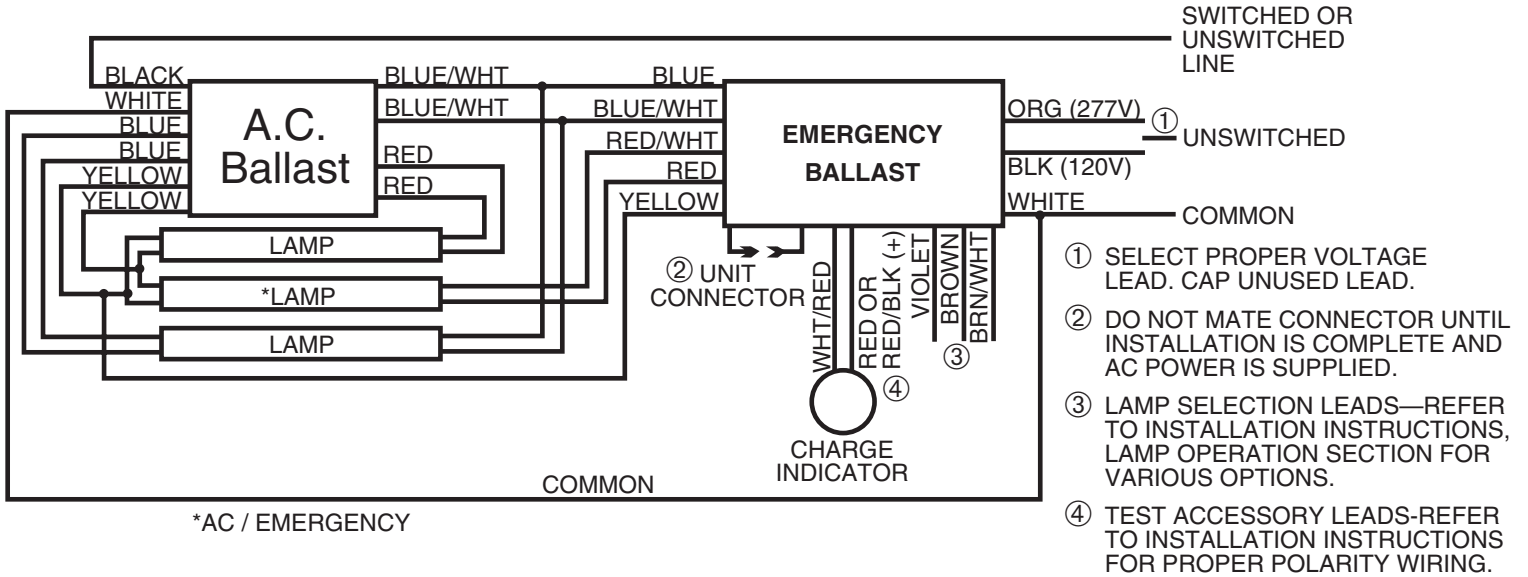
## TWO LAMP RAPID START BALLAST



2LRSB\_160

### NOTES

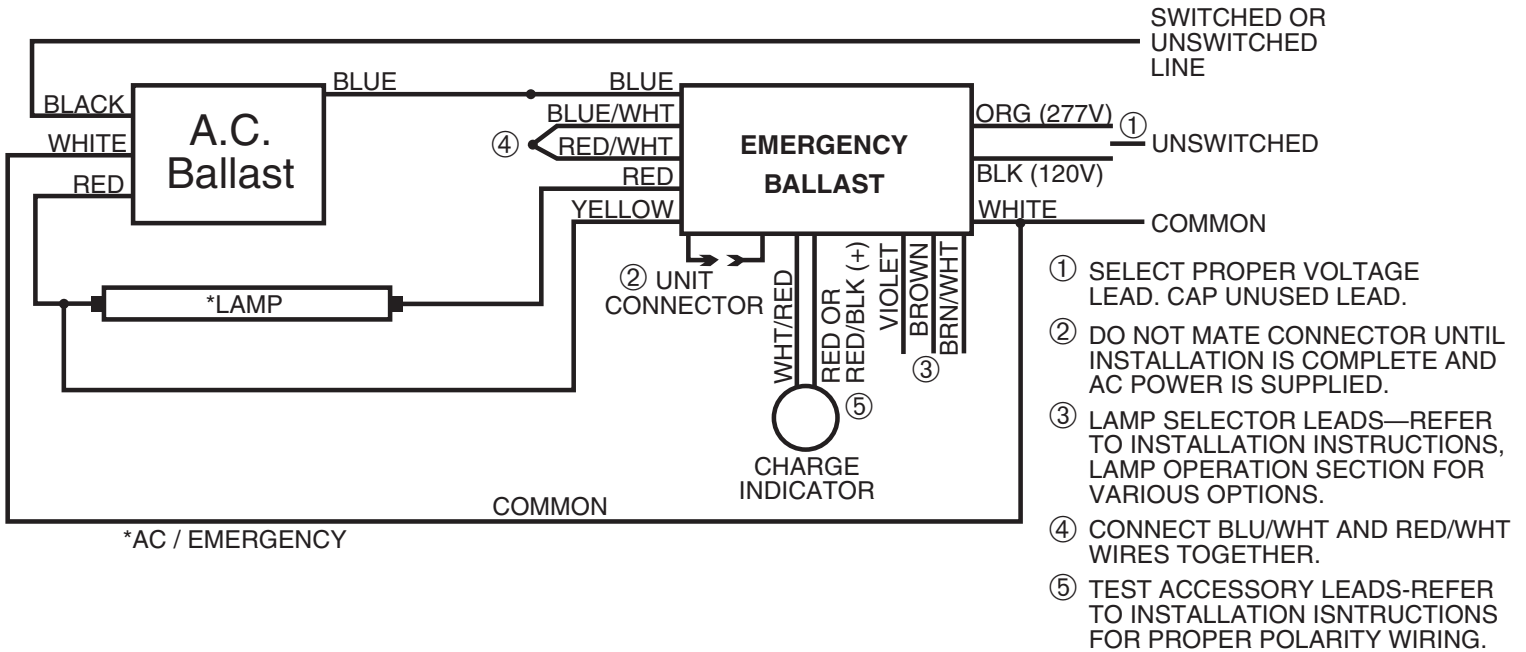
## THREE LAMP RAPID START BALLAST



3LRSB\_160

### NOTES

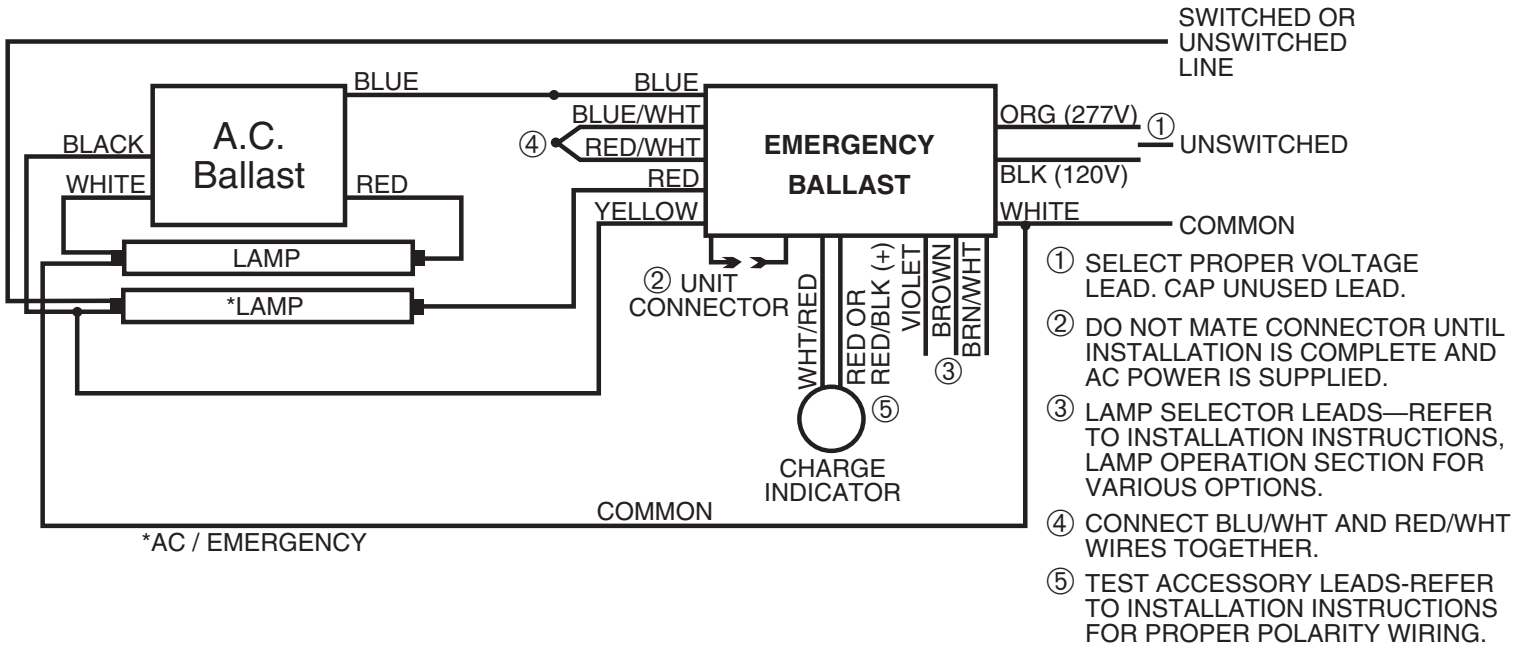
## ONE LAMP INSTANT START BALLAST



1LISB\_160

### NOTES

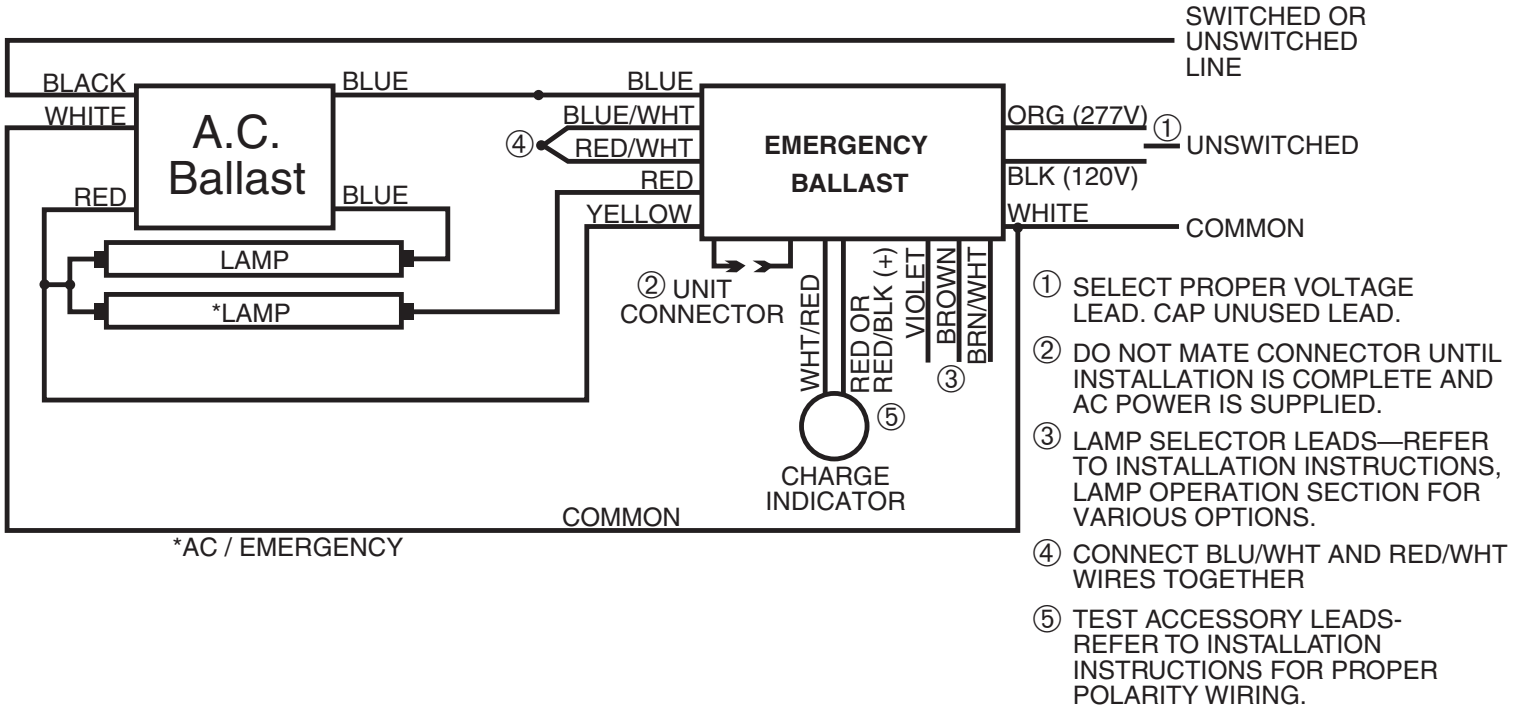
## TWO LAMP INSTANT START BALLAST



2LISB\_160

### NOTES

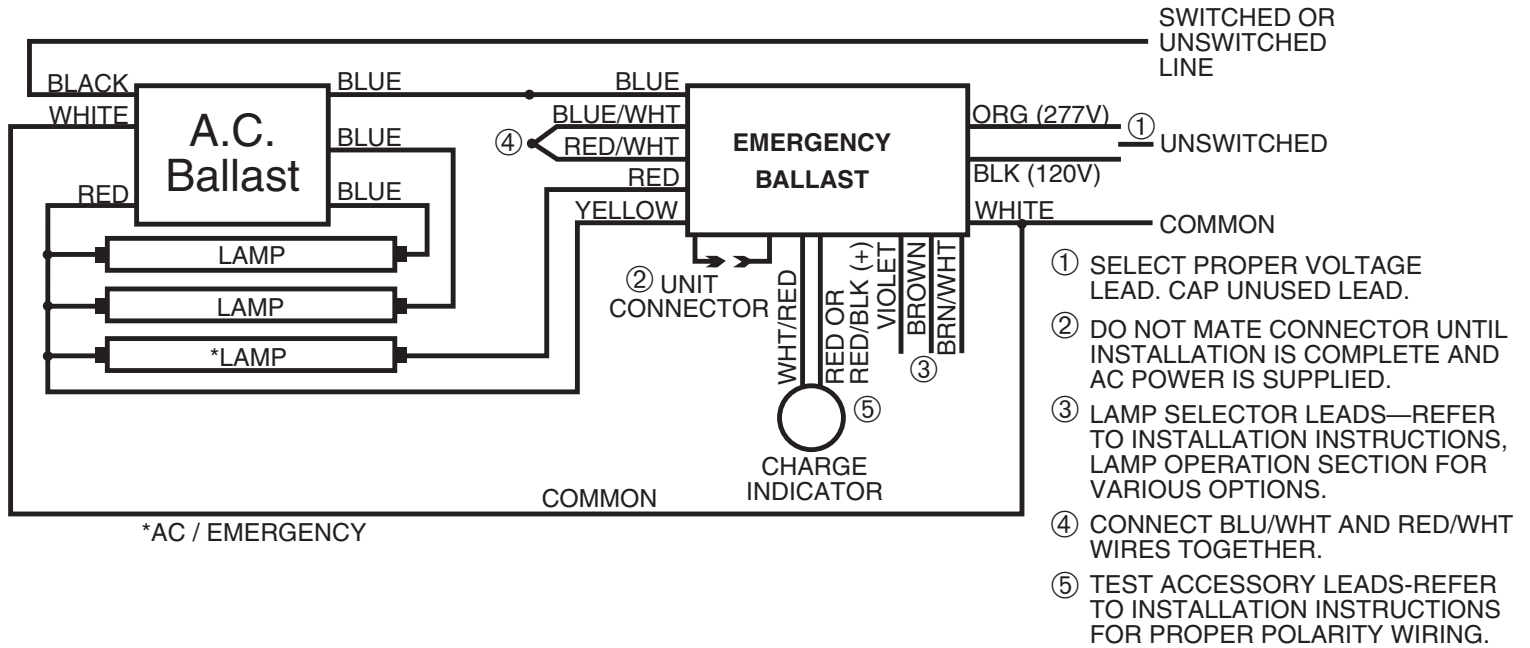
## TWO LAMP INSTANT START BALLAST



2LISB\_160\_2

### NOTES

## THREE LAMP INSTANT START BALLAST

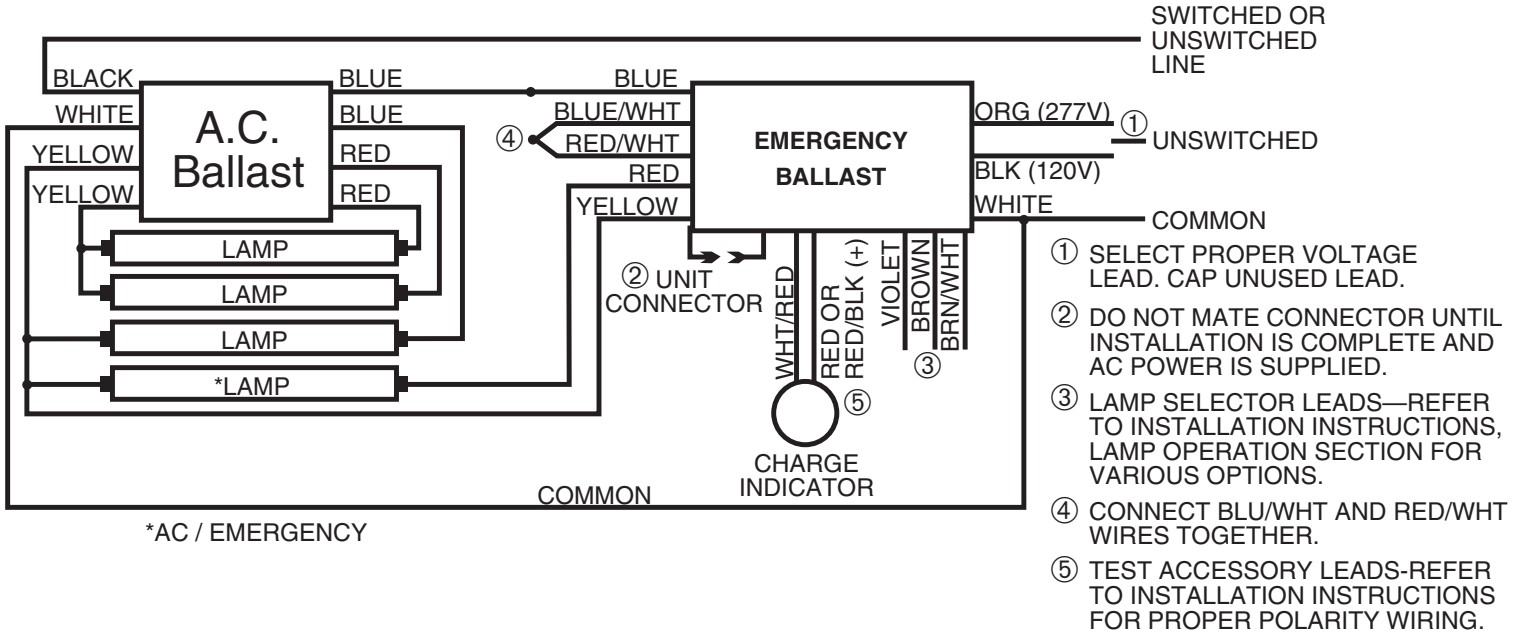


3LISB\_160

### NOTES



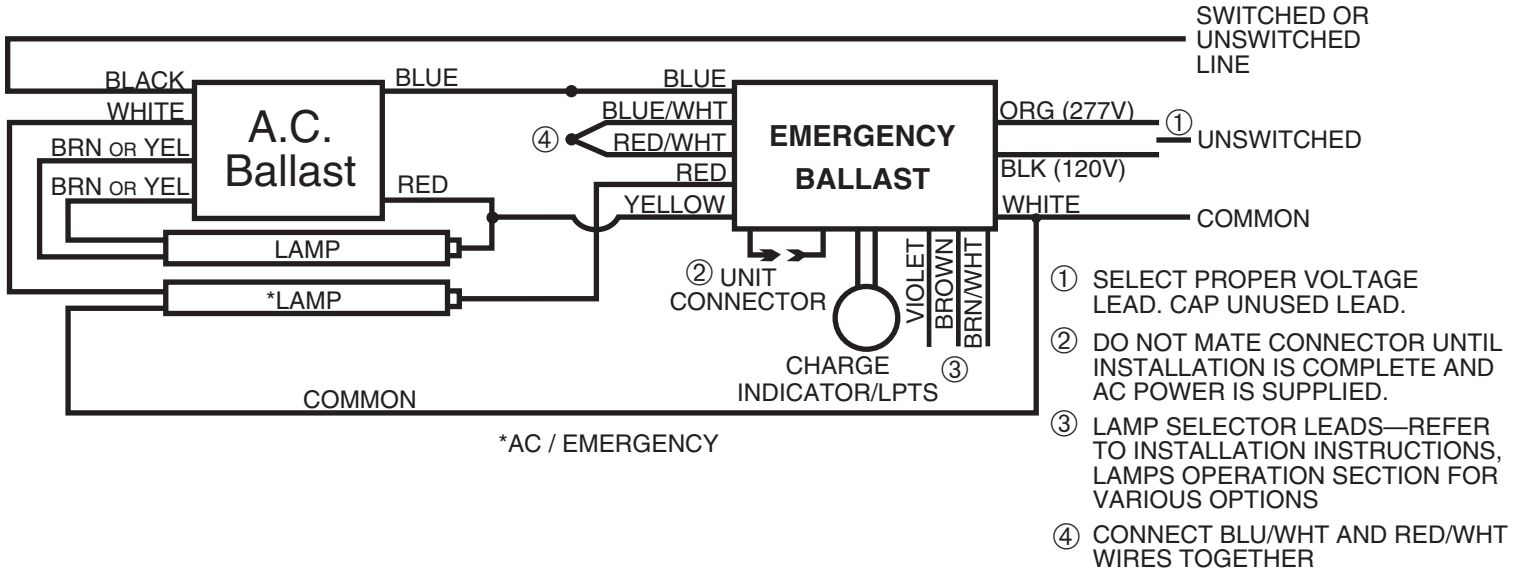
## FOUR LAMP INSTANT START BALLAST



4LISB\_160

### NOTES

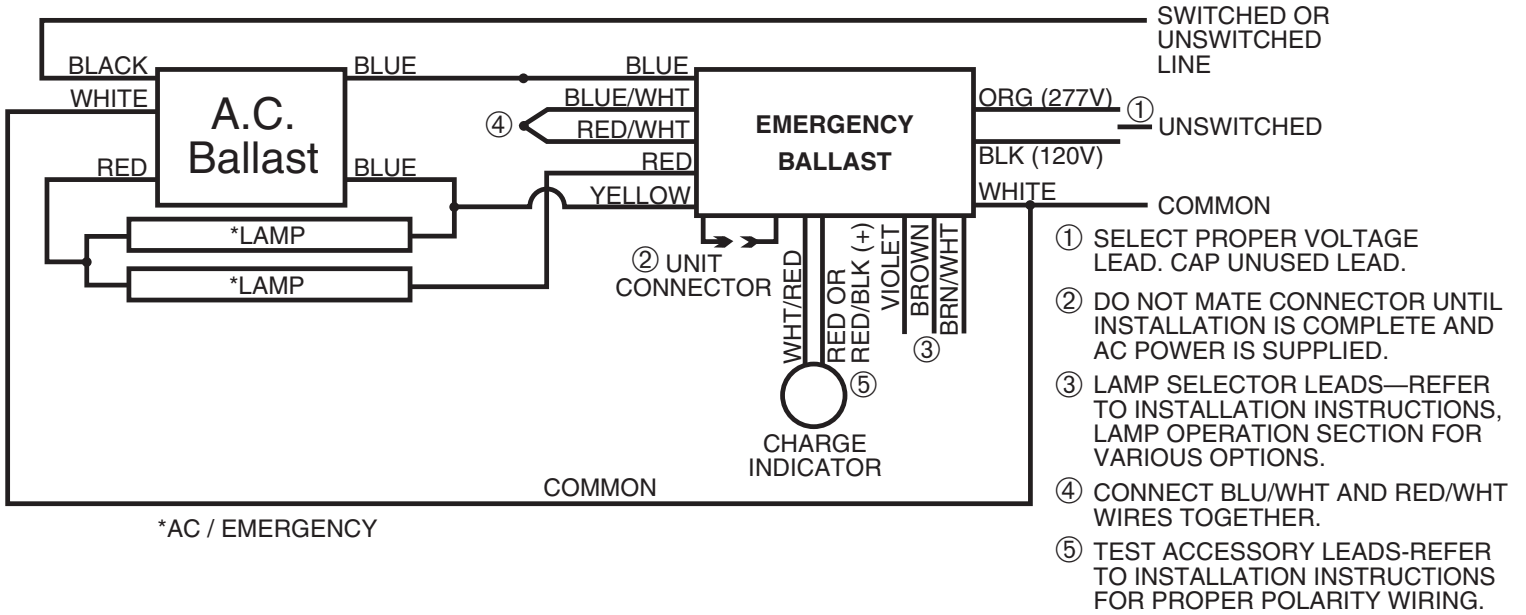
## TWO LAMP SERIES LEAD BALLAST WITH TWO LAMP EMERGENCY OPERATION



2LSL\_2LEO\_160

### NOTES

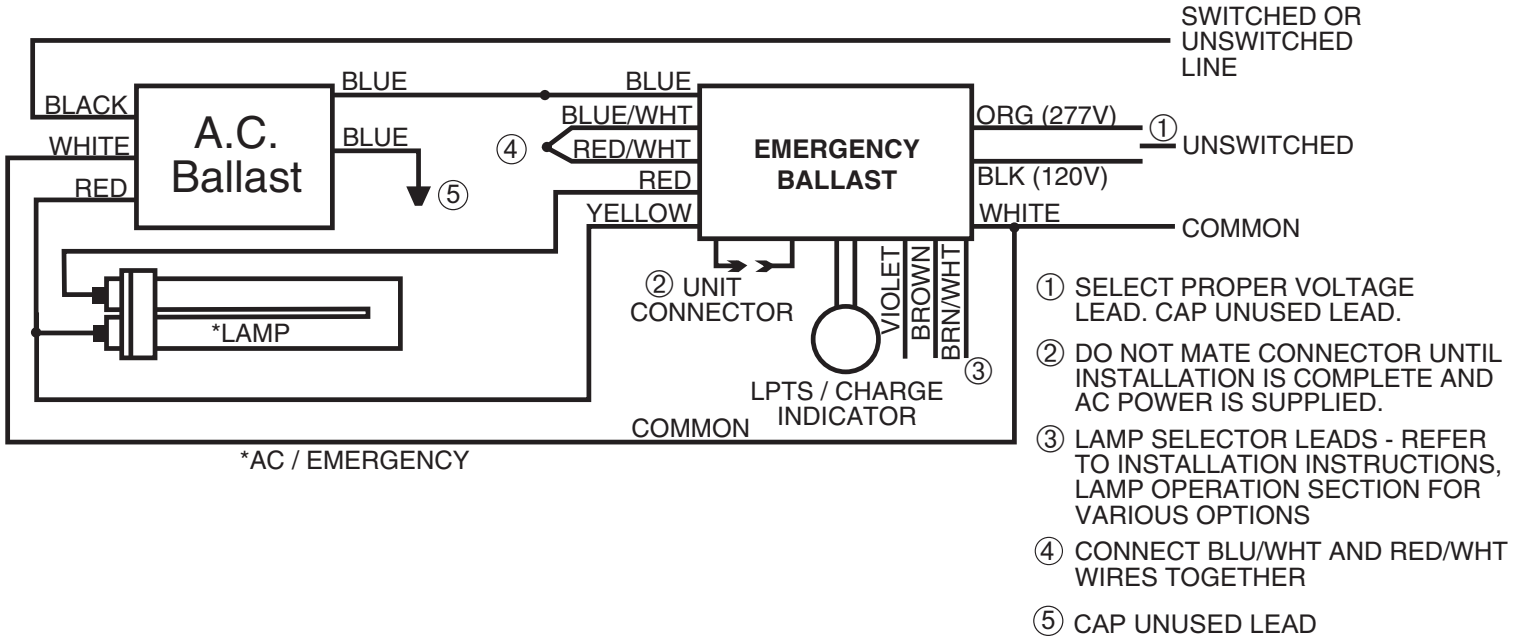
## TWO LAMP INSTANT START BALLAST WITH TWO LAMP EMERGENCY OPERATION



2LISB\_2LEO\_160

### NOTES

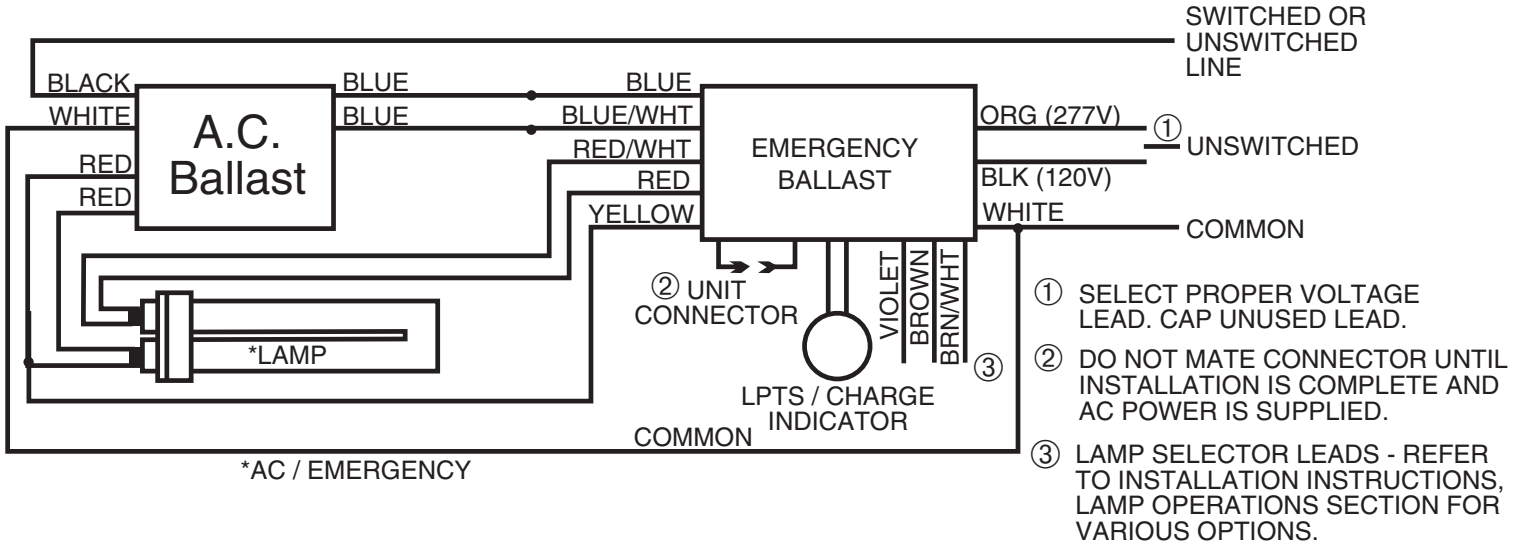
## ONE LAMP BIAx



1LBX\_160

### NOTES

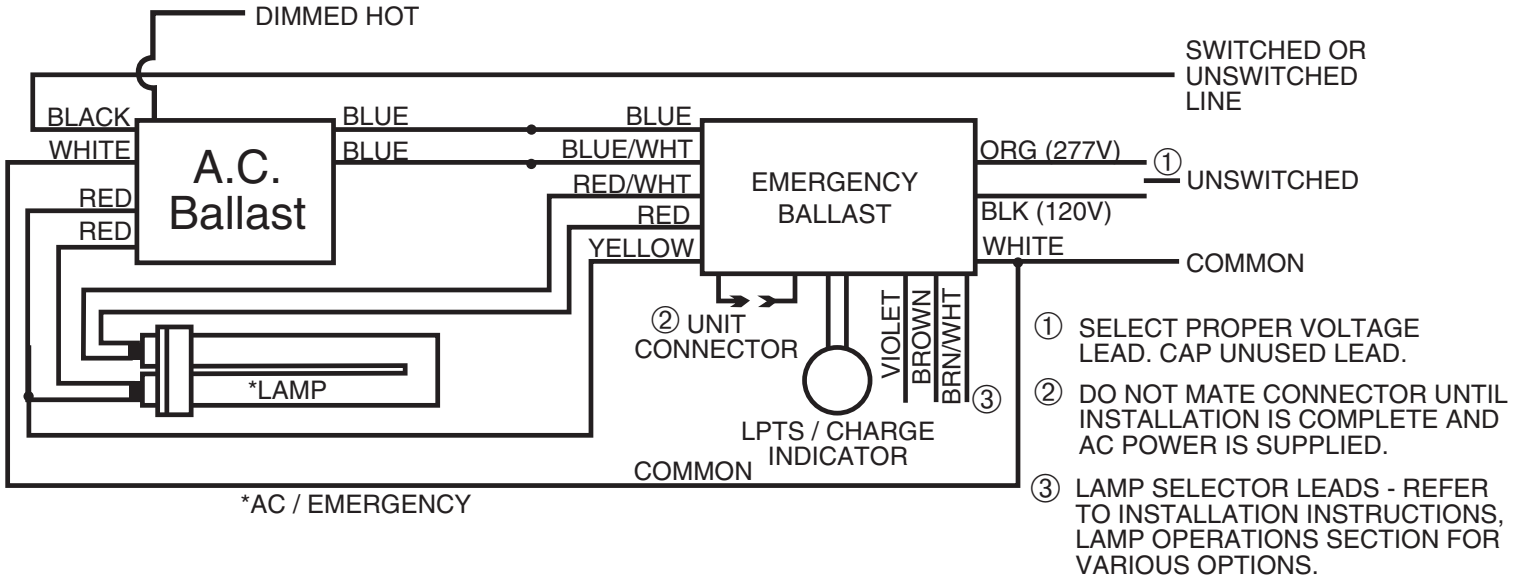
## ONE BIAx LAMP RAPID START BALLAST



1BXLRSB\_160

### NOTES

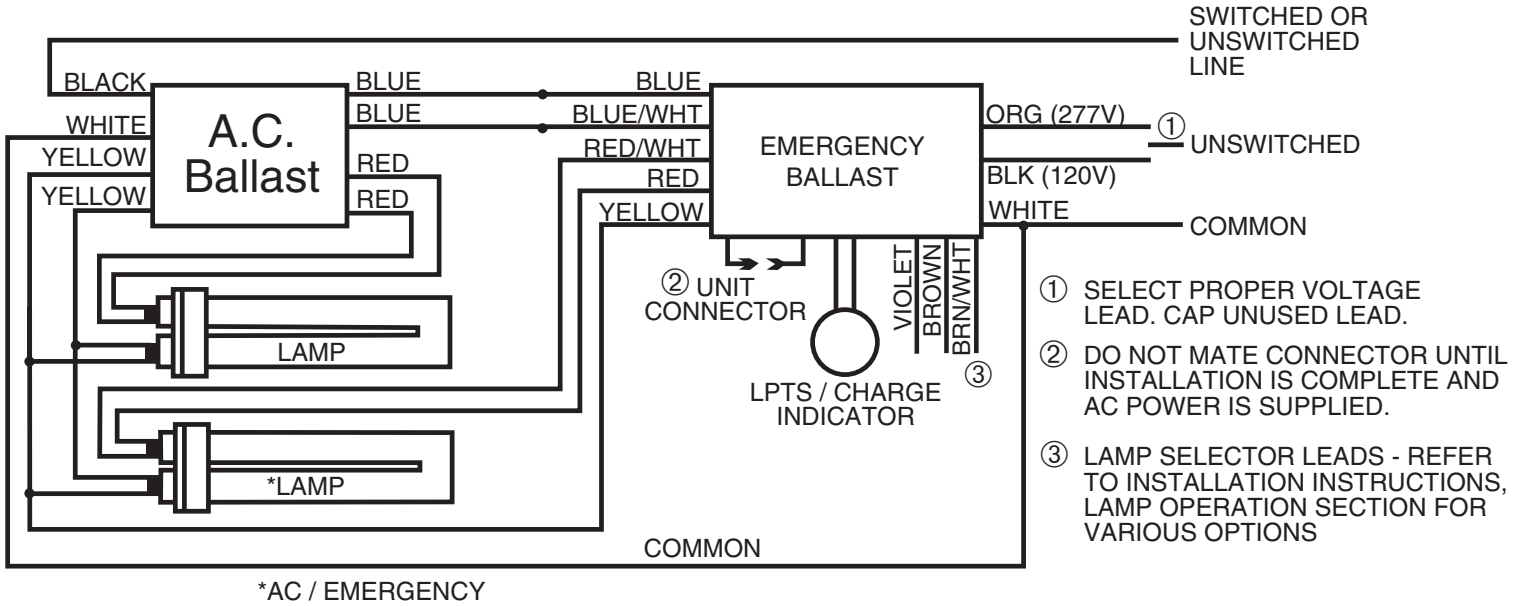
## ONE BIAx LAMP RAPID START BALLAST WITH DIMMING CONTROL



1BXLRSB\_DM\_160

### NOTES

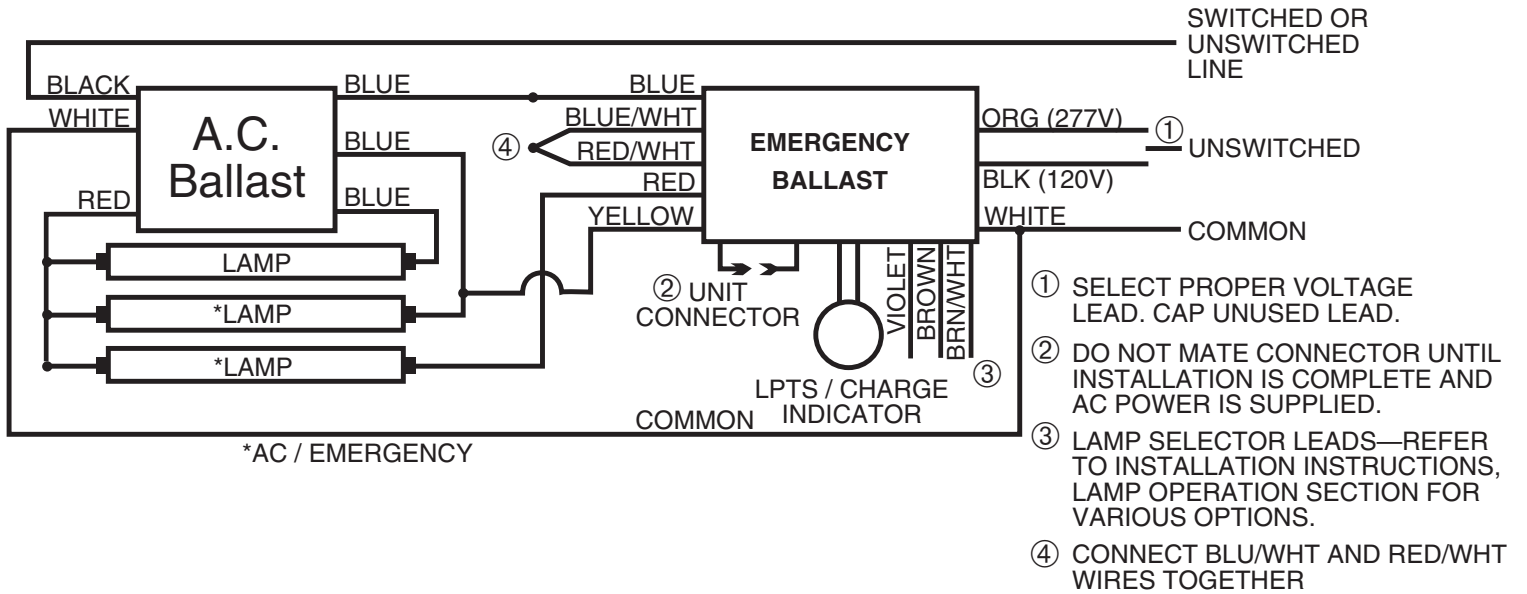
## TWO COMPACT LAMP RAPID START BALLAST



2BXLRSB\_DM\_160

### NOTES

## THREE LAMP INSTANT START BALLAST WITH TWO LAMP EMERGENCY OPERATION

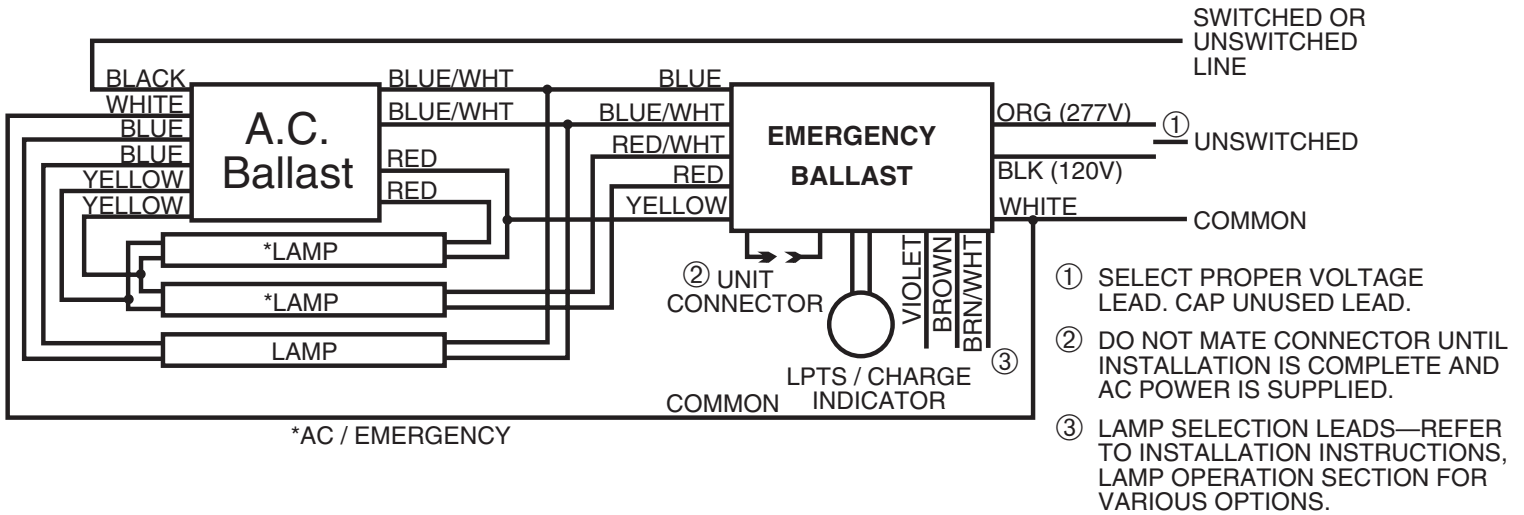


3LISB\_2LEO\_160

### NOTES



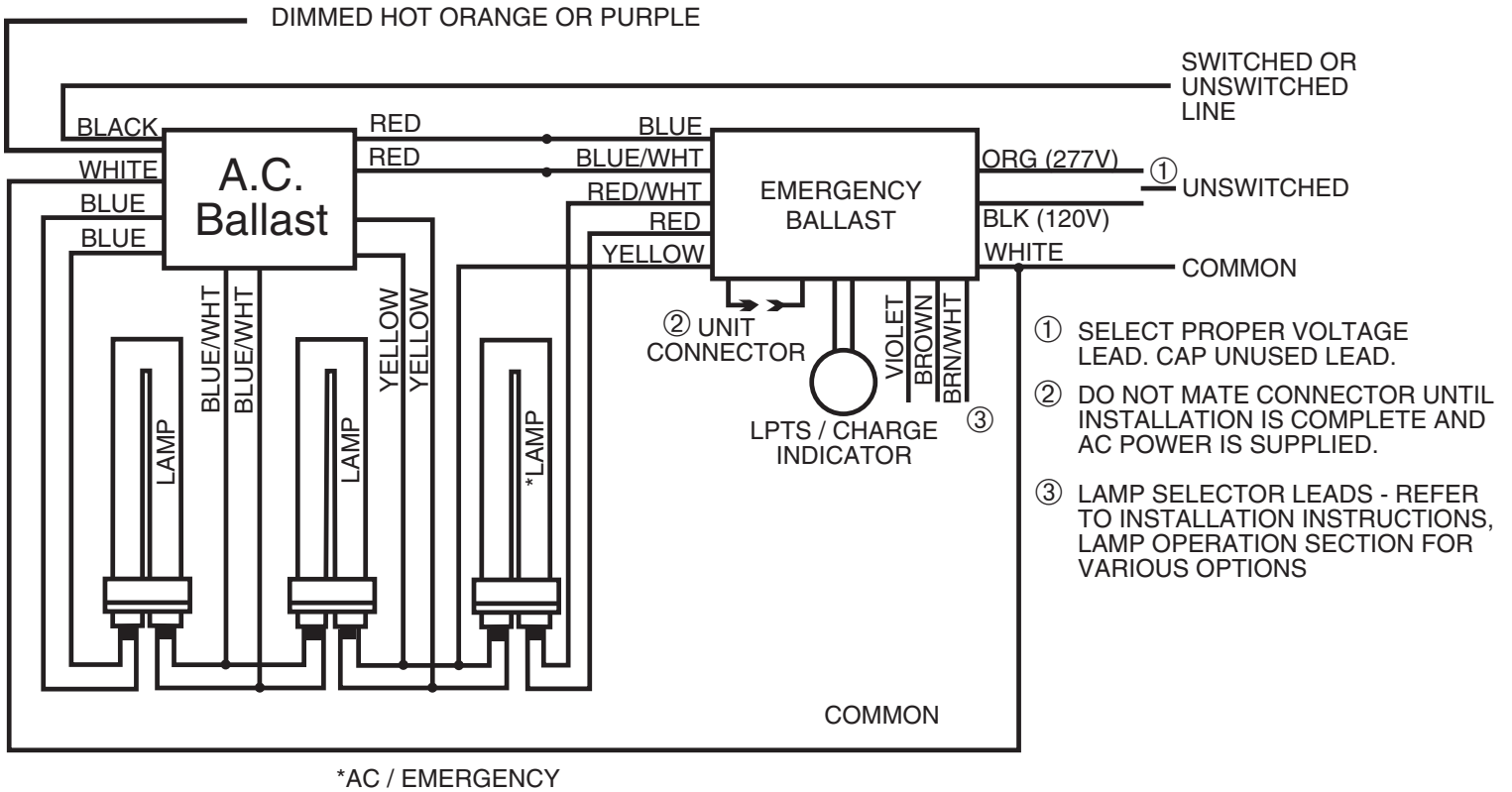
## THREE LAMP RAPID START BALLAST WITH TWO LAMP EMERGENCY OPERATION



3LRSB\_2LEO\_160

### NOTES

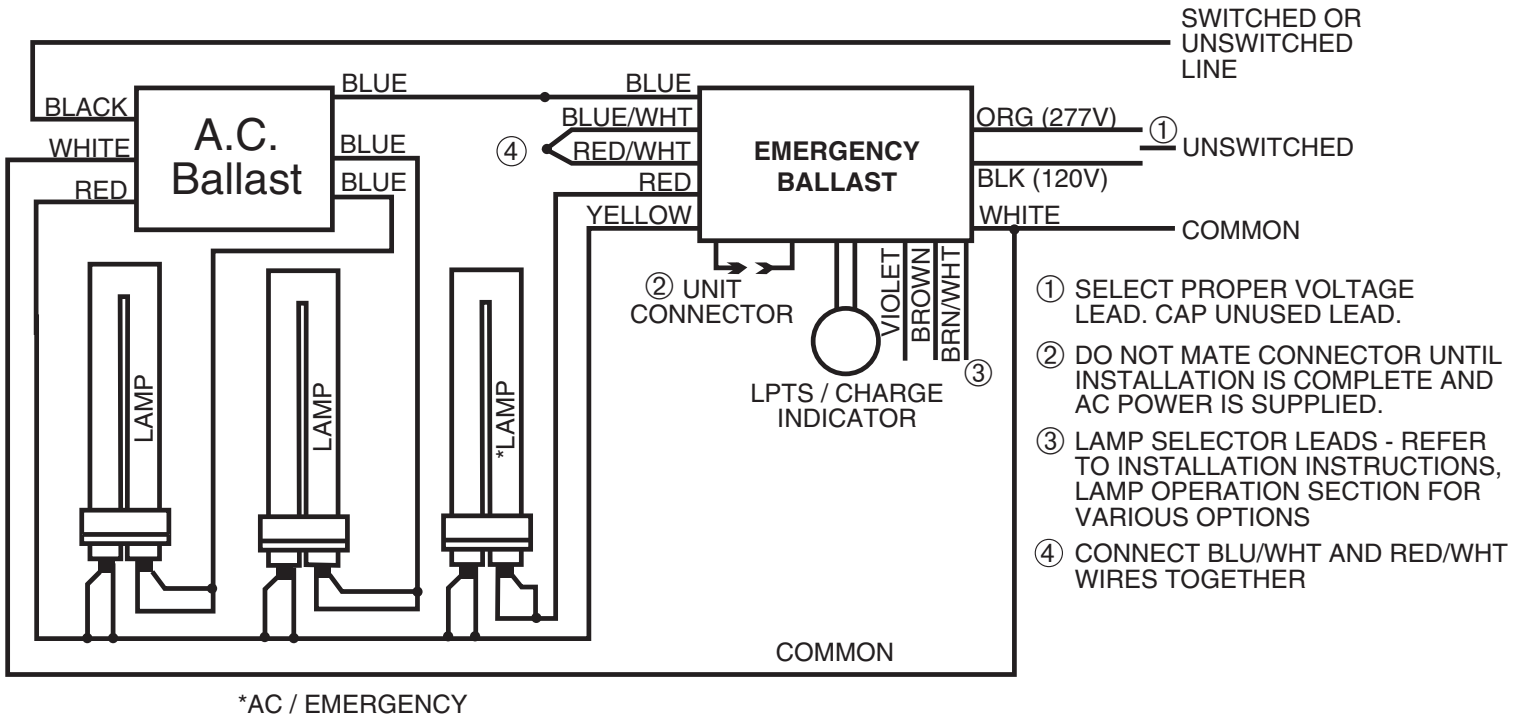
## THREE BIAX RAPID START BALLAST WITH DIMMING CONTROL



3BXLRSB\_DM\_160

### NOTES

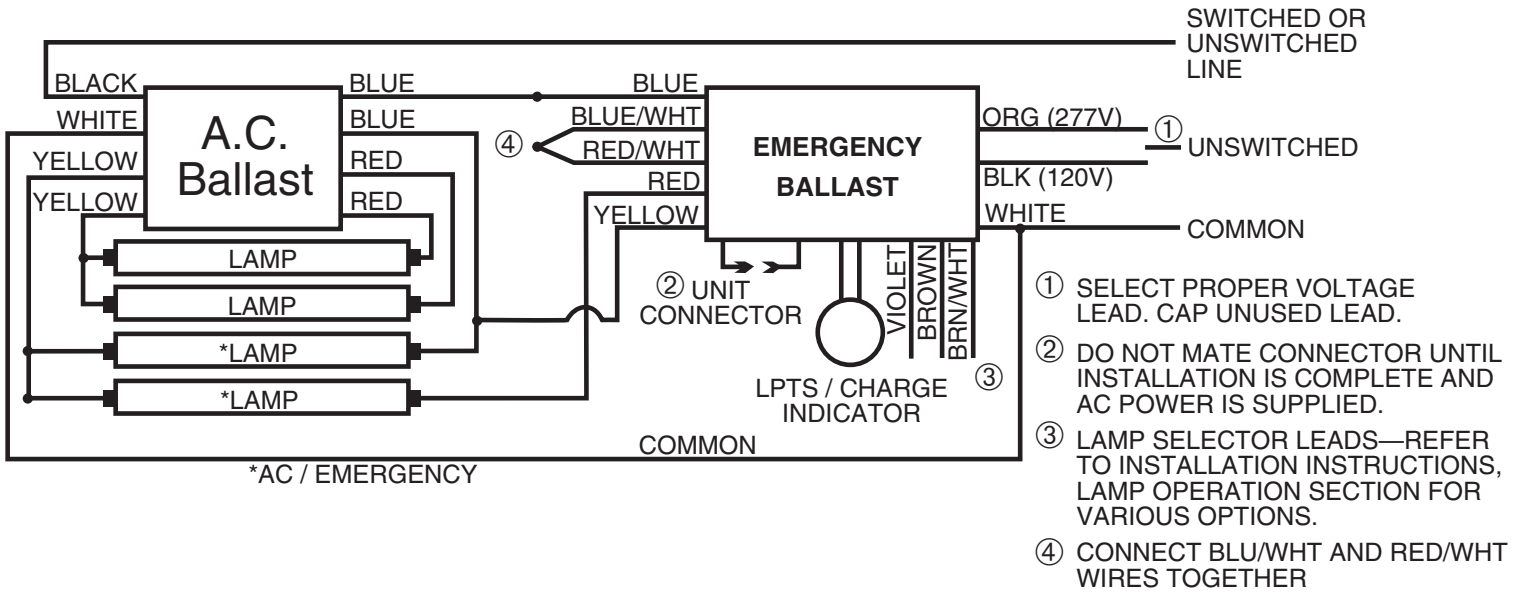
## THREE LAMP BIAX INSTANT START



3LBXIN\_160

### NOTES

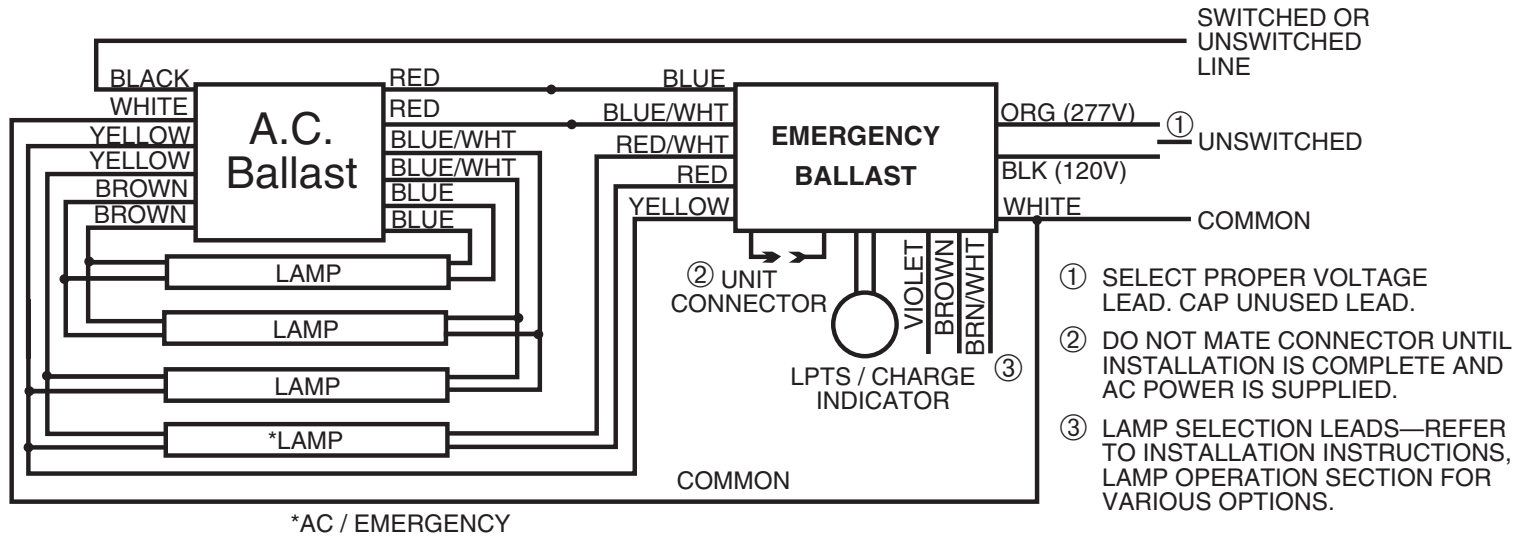
## FOUR LAMP INSTANT START BALLAST WITH TWO LAMP EMERGENCY OPERATION



4LISB\_2LEO\_160

### NOTES

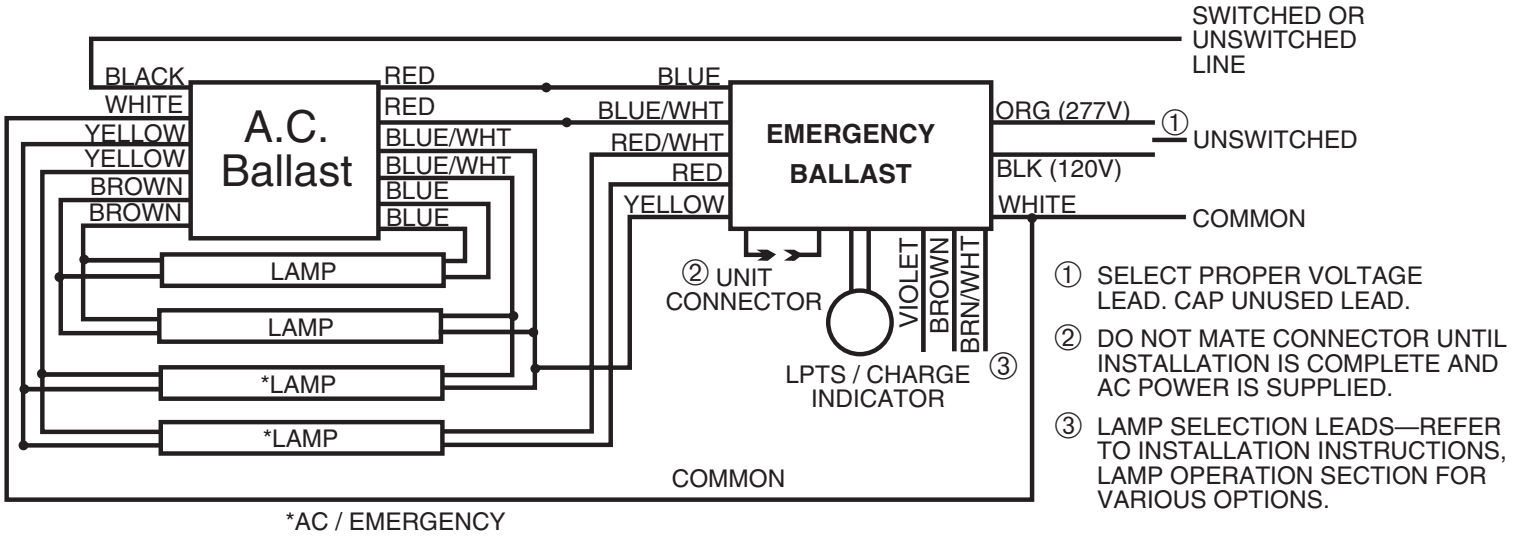
## FOUR LAMP RAPID START BALLAST



4LRSB\_160

**NOTES**

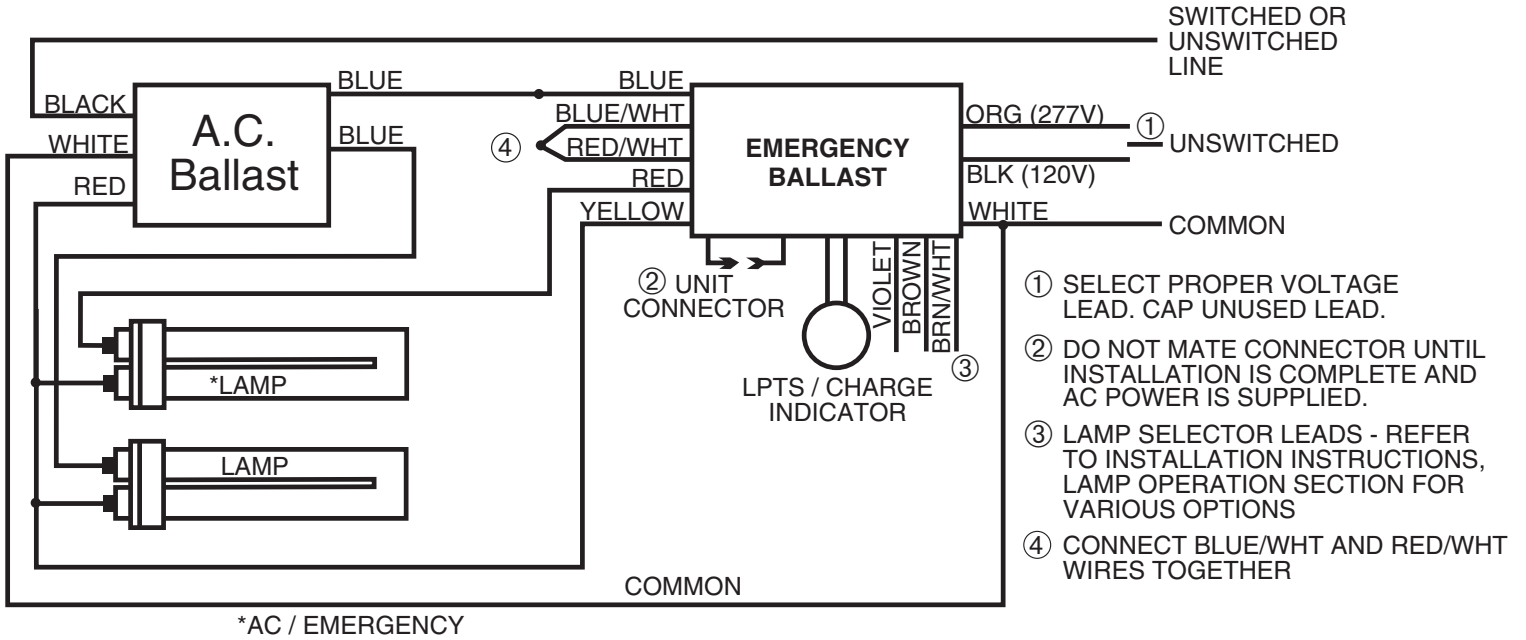
## FOUR LAMP RAPID START BALLAST WITH TWO LAMP EMERGENCY OPERATION



4LRSB\_2LEO\_160

### NOTES

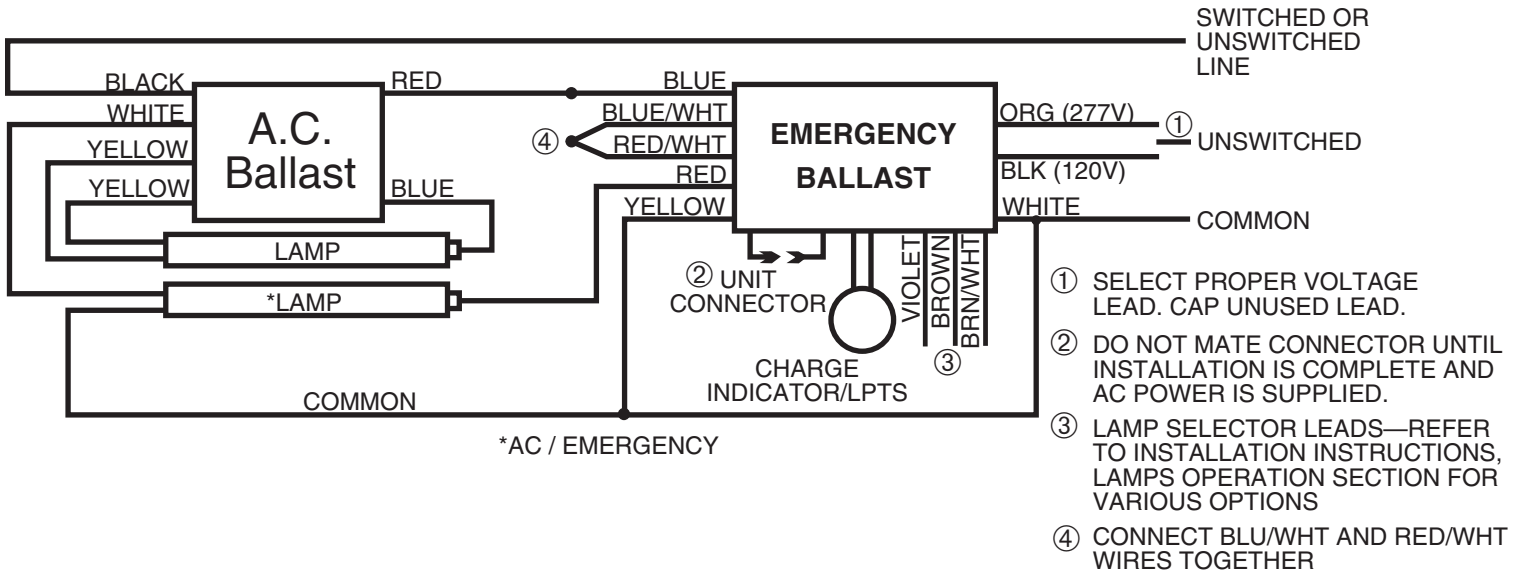
## TWO BIAx LAMP INSTANT START BALLAST



2LISBX\_160

### NOTES

## TWO LAMP BALLAST

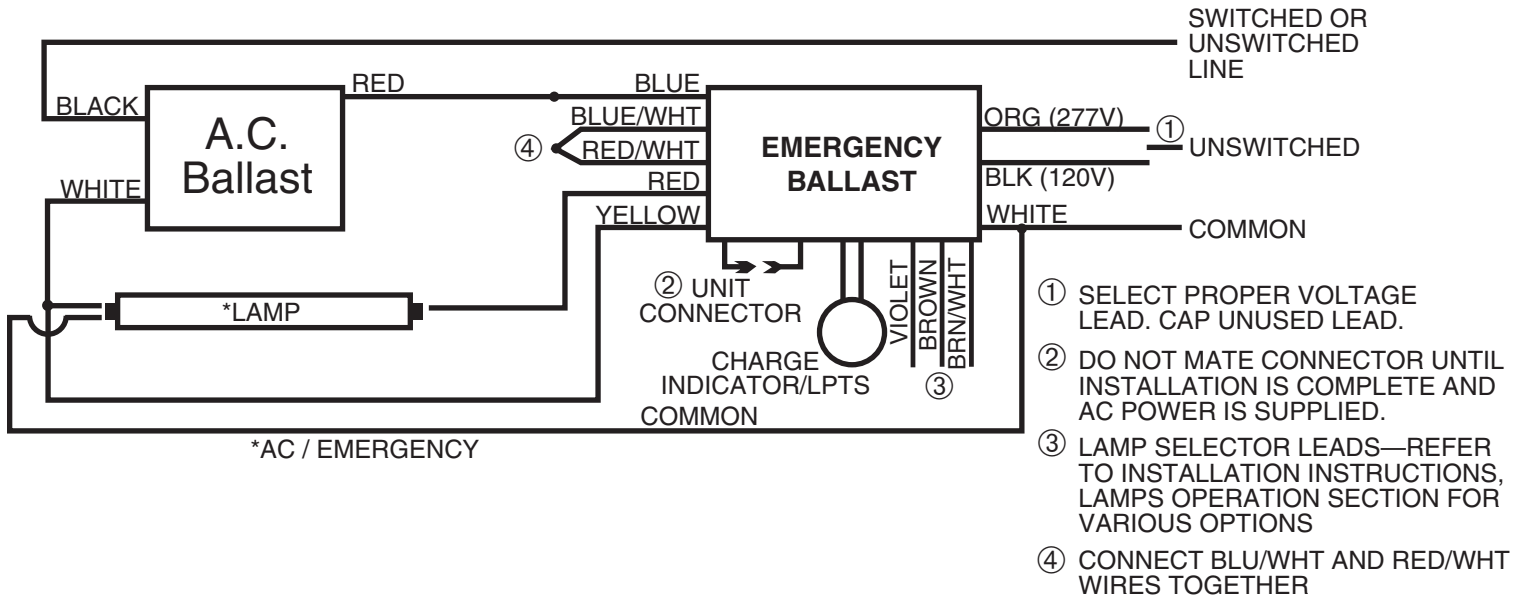


2LMB\_160

### NOTES



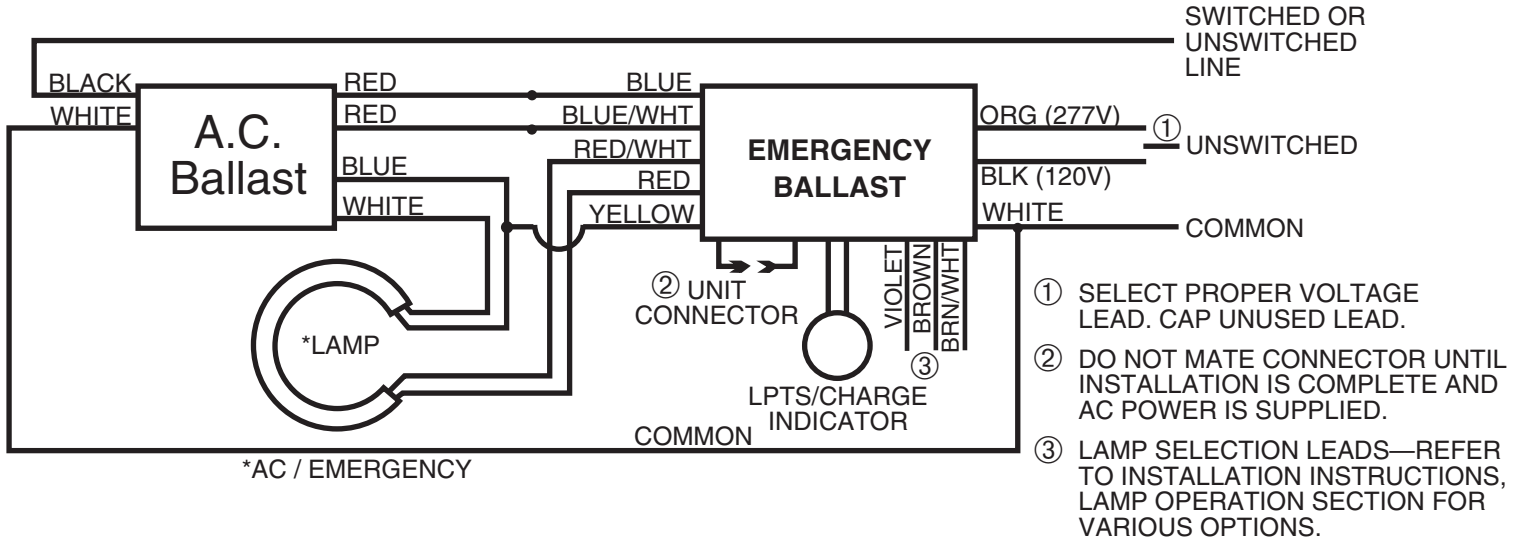
## ONE LAMP MAGNETIC BALLAST



1LMB\_160

### NOTES

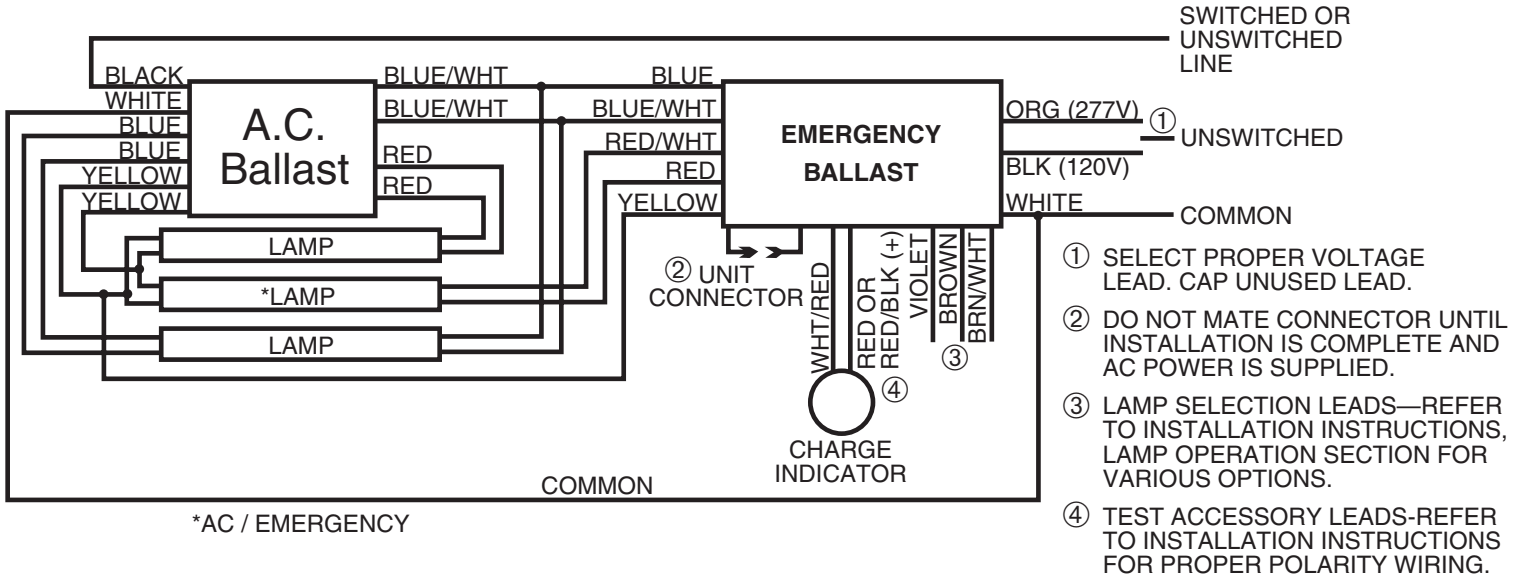
## ONE LAMP CIRCLINE RAPID START BALLAST



1LCRSB\_160

### NOTES

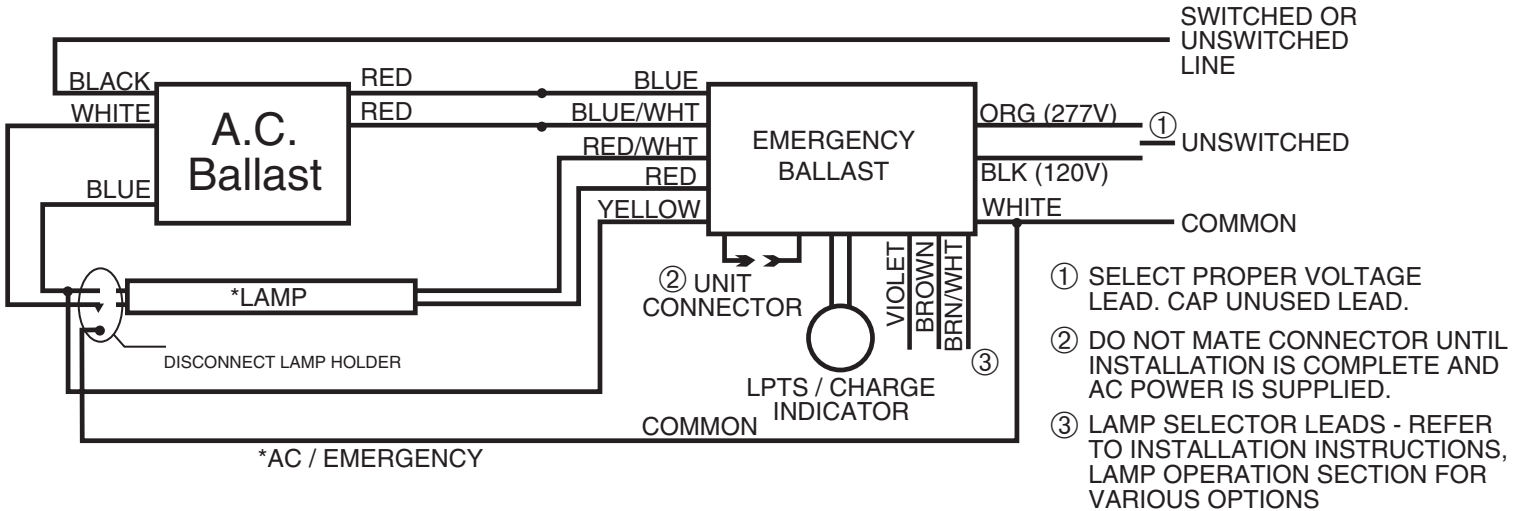
## THREE LAMP RAPID START BALLAST



3LRSB\_160

### NOTES

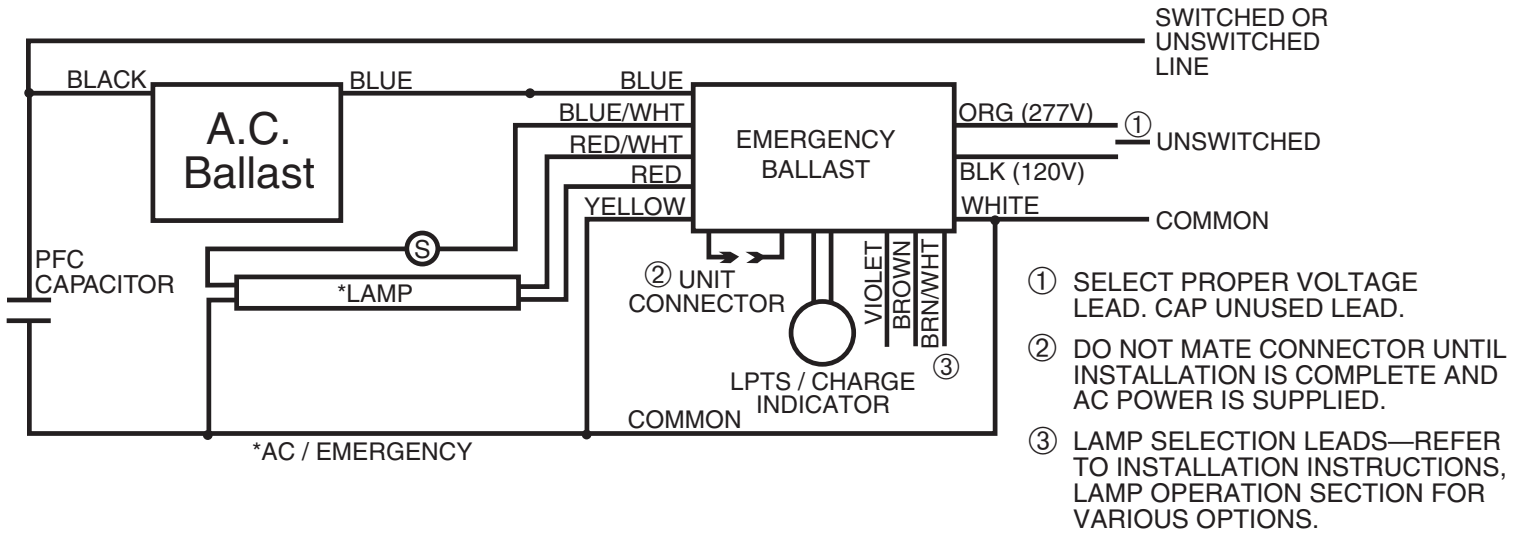
## ONE LAMP LAG BALLAST



1LLAG\_160

### NOTES

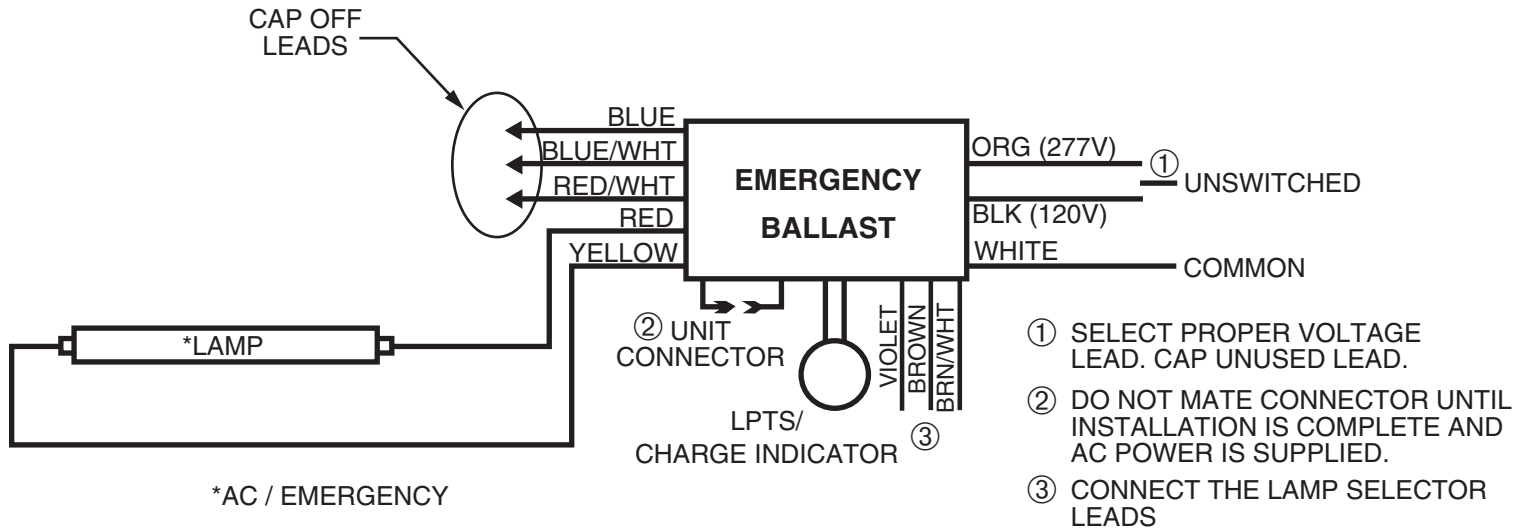
## ONE LAMP PRE-HEAT START BALLAST



1LPHSB\_160

### NOTES

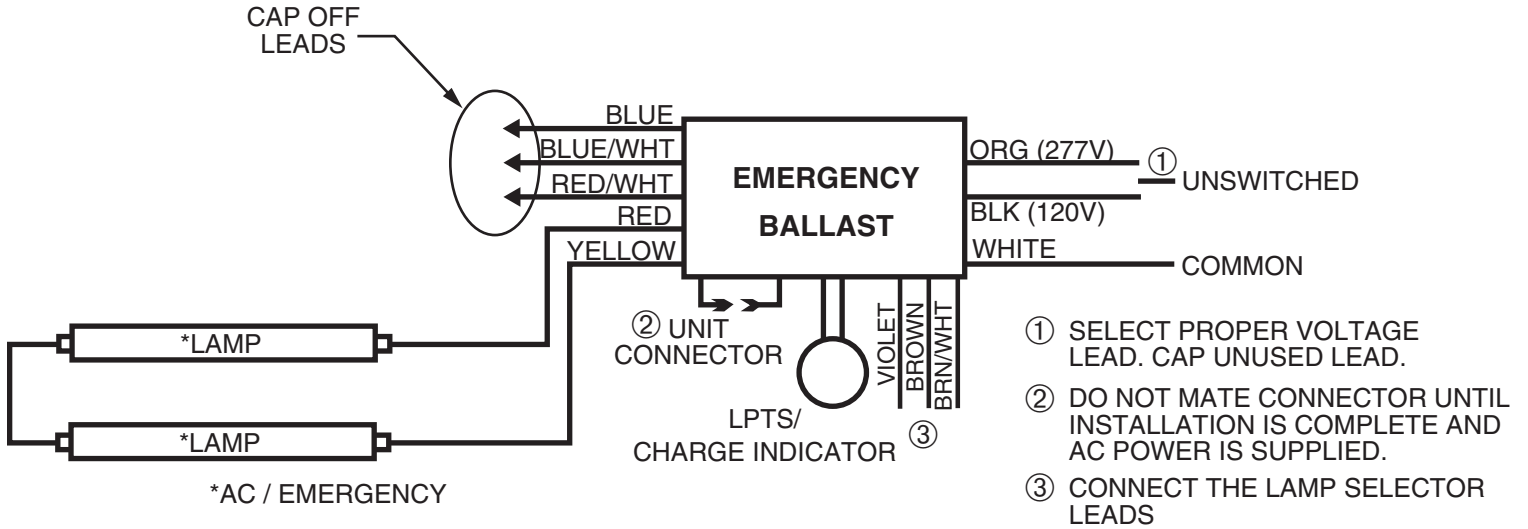
## ONE LAMP EMERGENCY ONLY



1LEO\_160

### NOTES

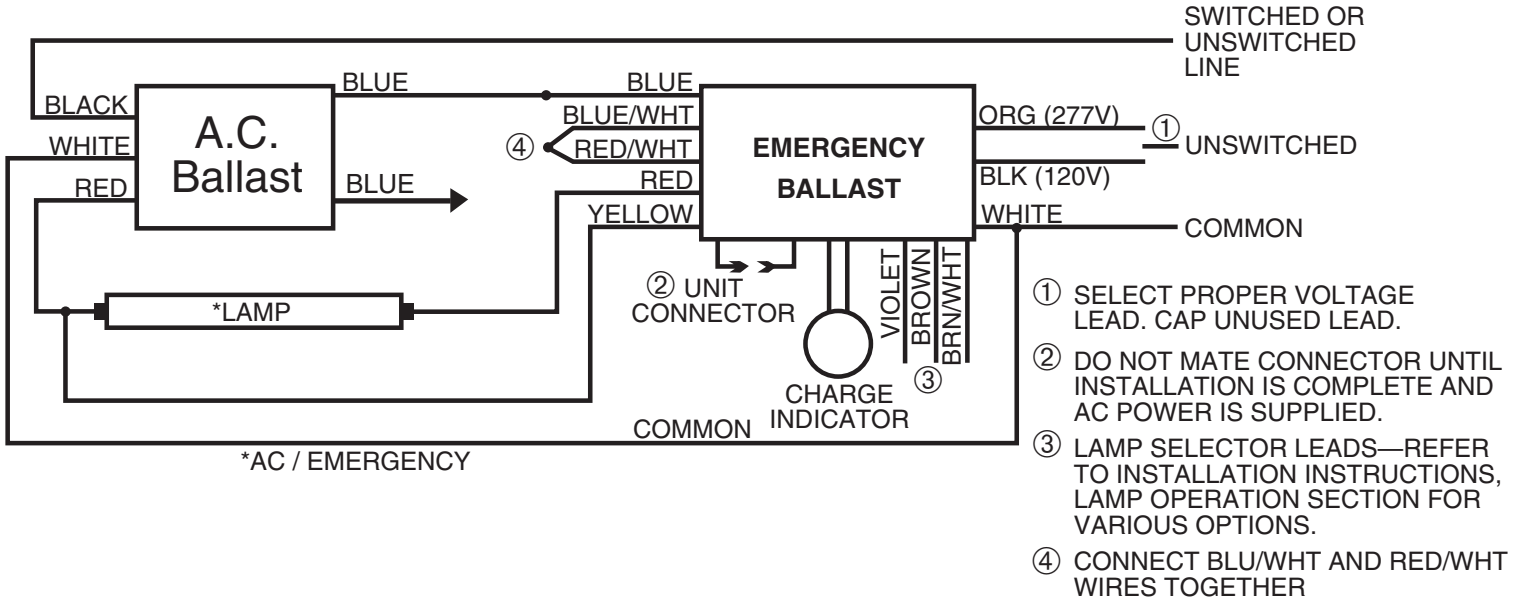
## TWO LAMP EMERGENCY ONLY



2LEO\_160

### NOTES

## ONE LAMP TRIAD BALLAST

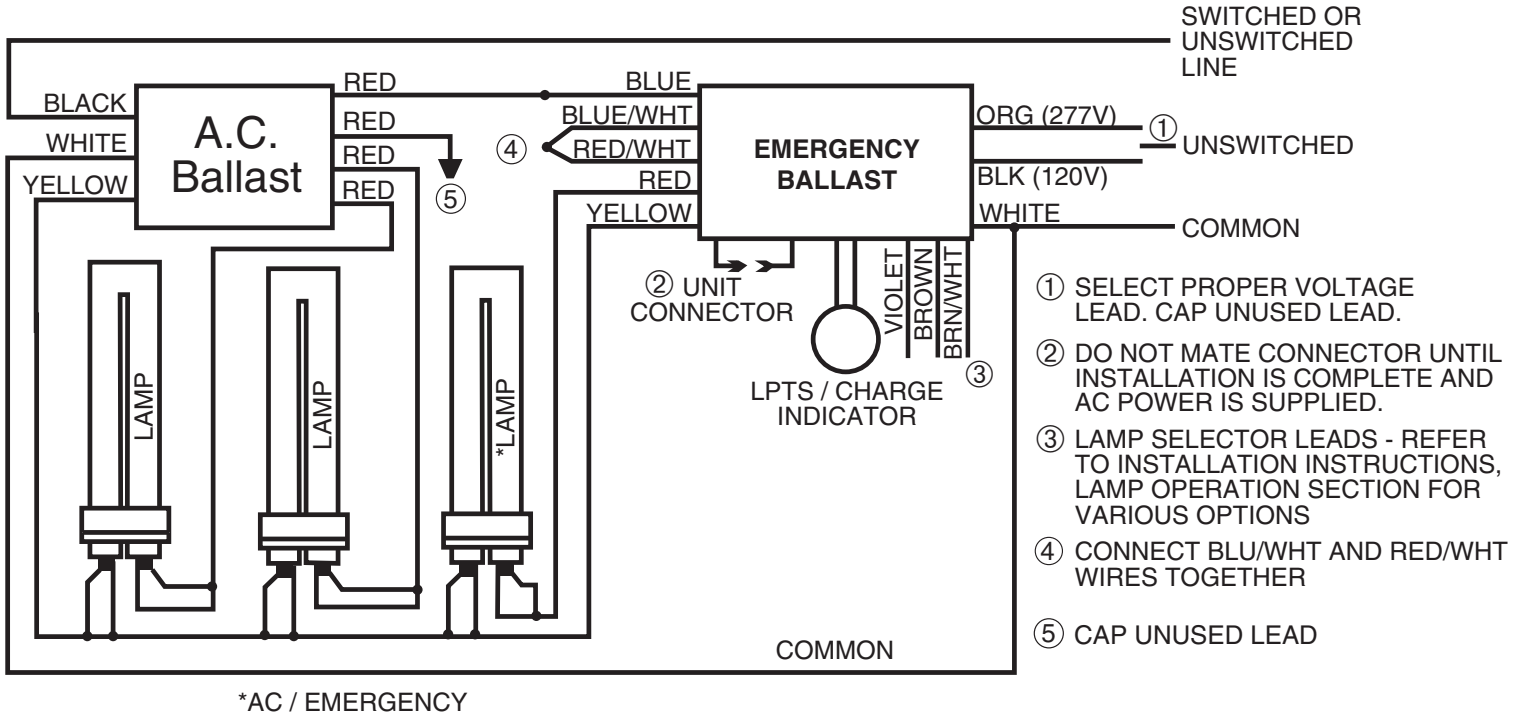


1LTB\_160

### NOTES



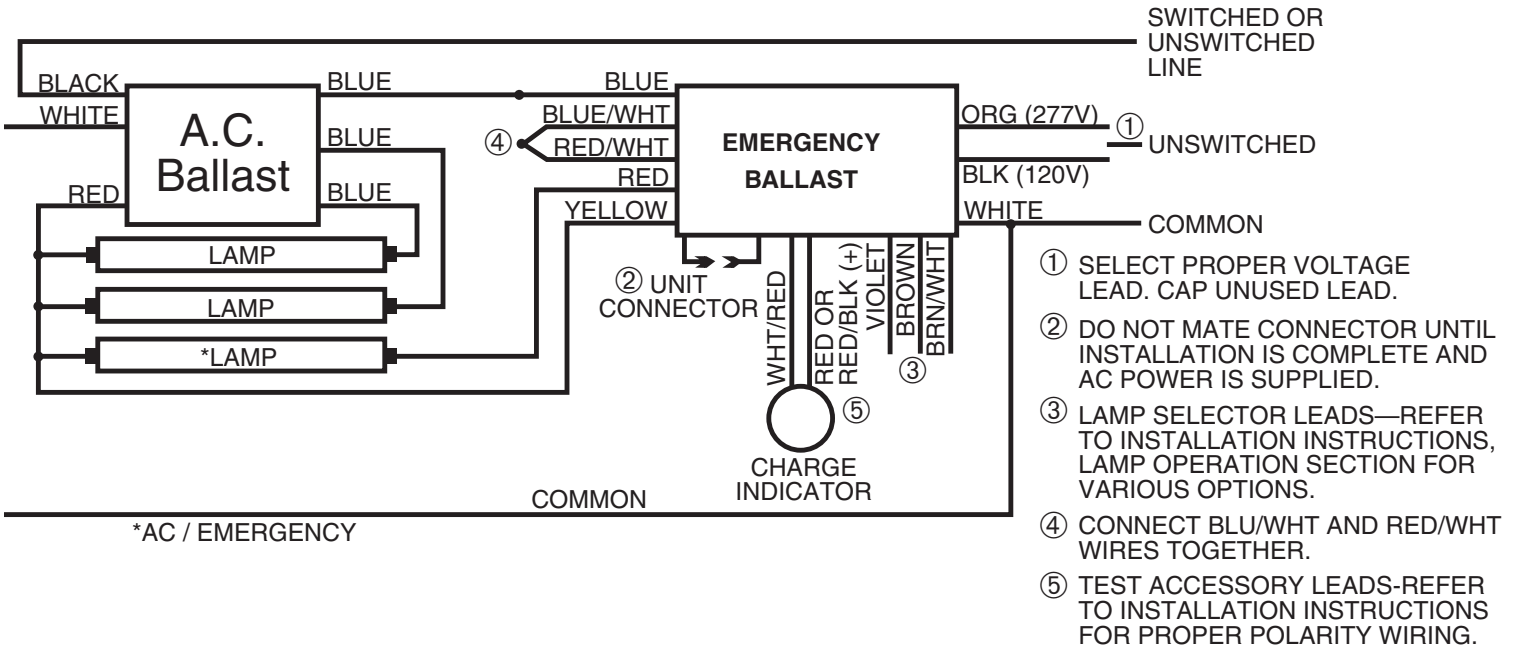
## FULHAM WORKHORSE BALLAST



FWB\_160

### NOTES

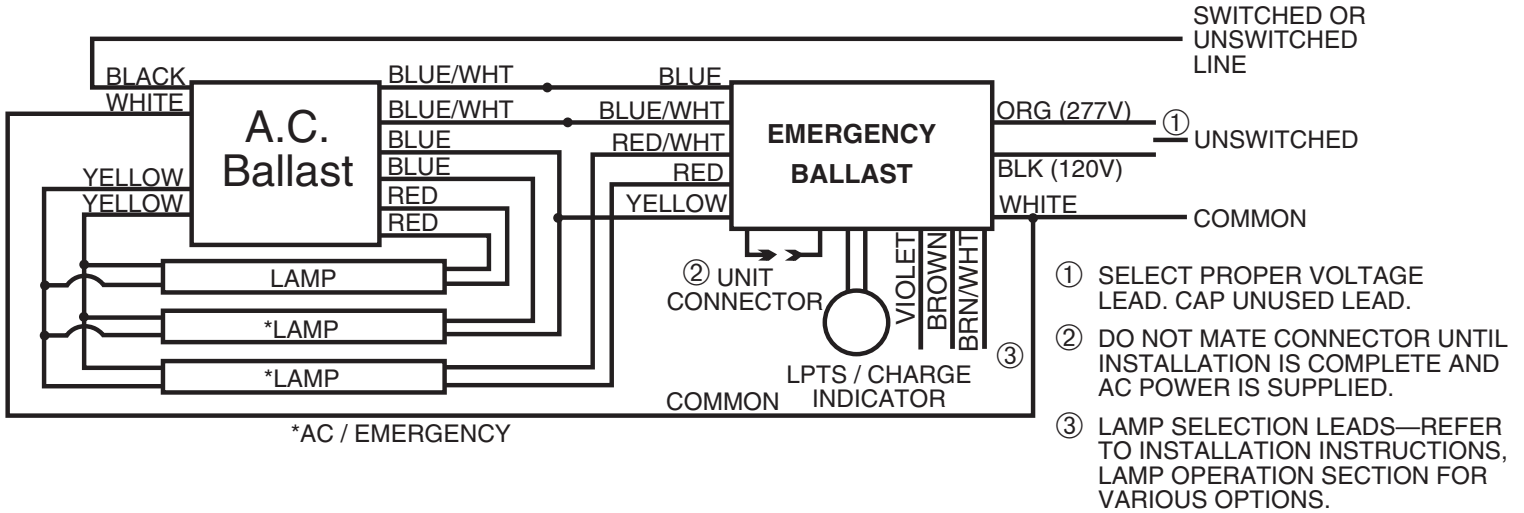
## THREE LAMP INSTANT START BALLAST



3LISB\_160

### NOTES

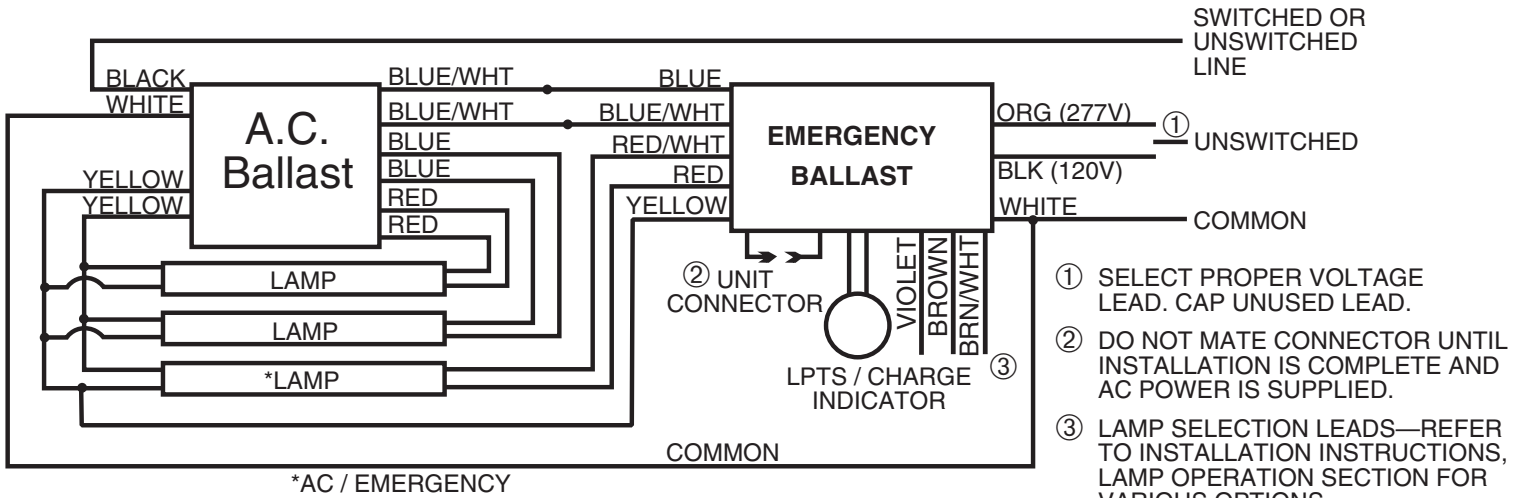
## THREE LAMP RAPID START BALLAST WITH TWO LAMP EMERGENCY OPERATION



3LRSB\_2LEO2\_160

### NOTES

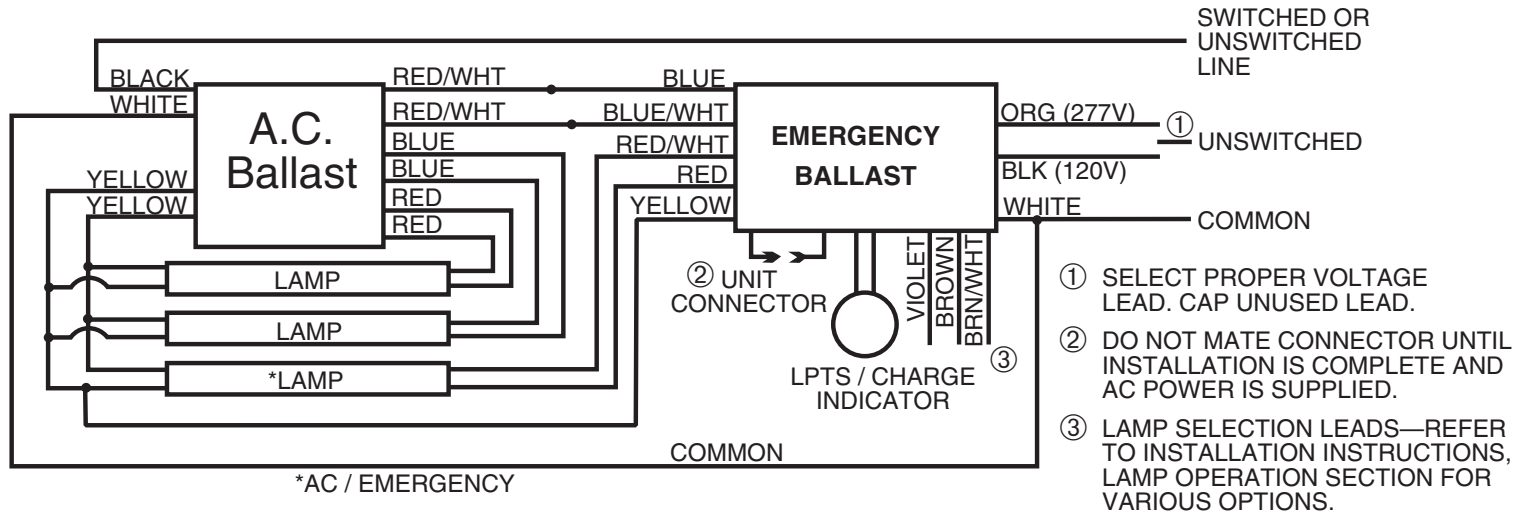
## THREE LAMP RAPID START BALLAST



3LRSB2\_160

### NOTES

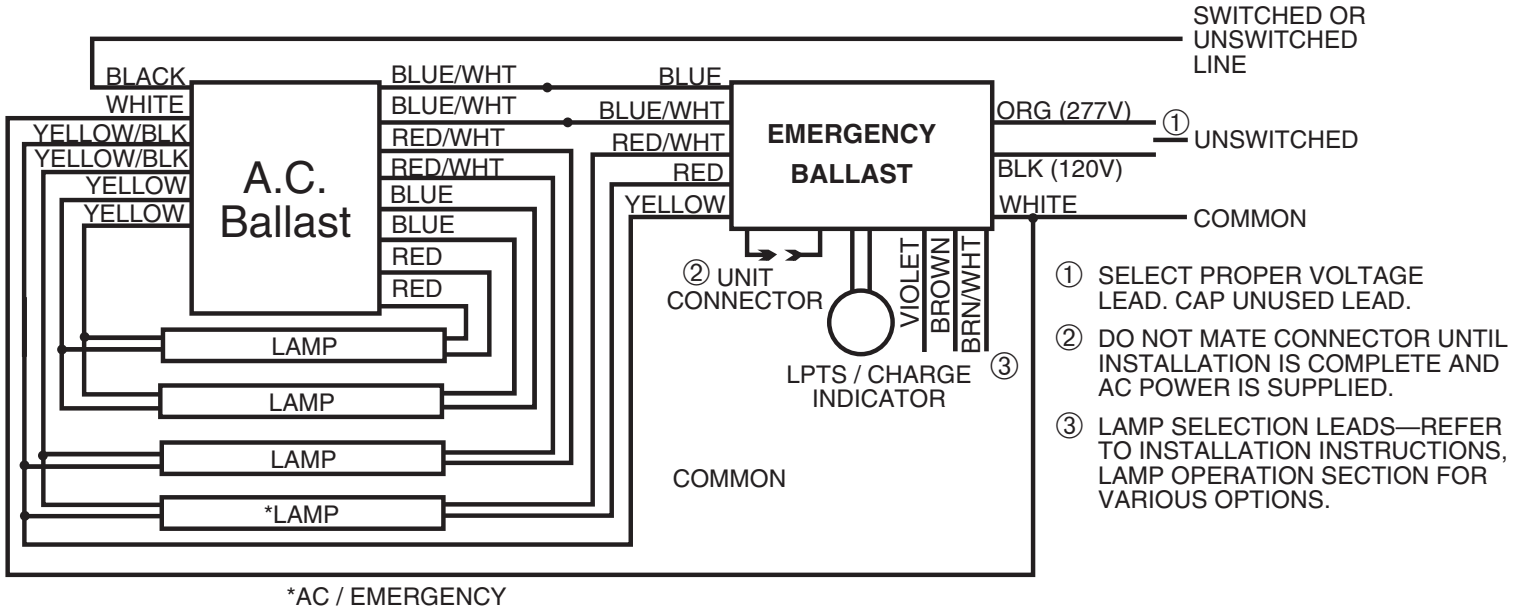
## THREE LAMP RAPID START BALLAST



3LRSB3\_160

**NOTES**

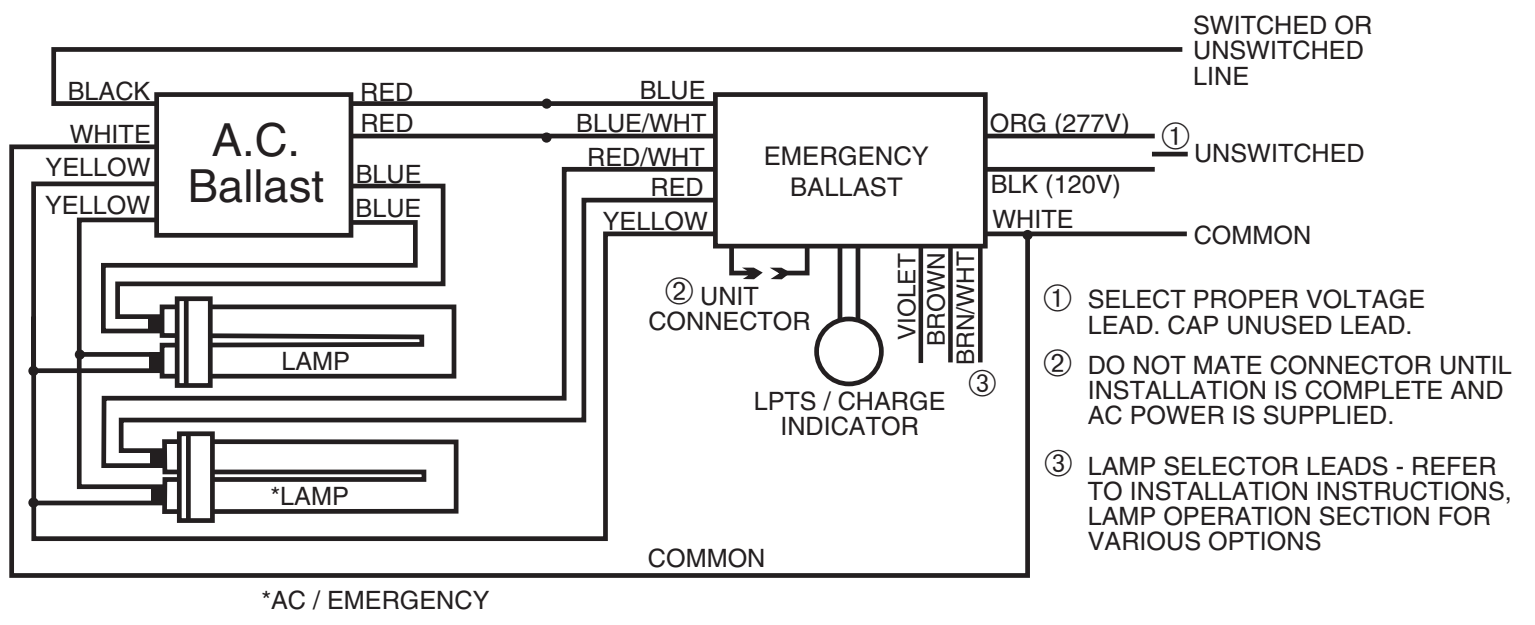
## FOUR LAMP RAPID START BALLAST



4LRB2\_160

### NOTES

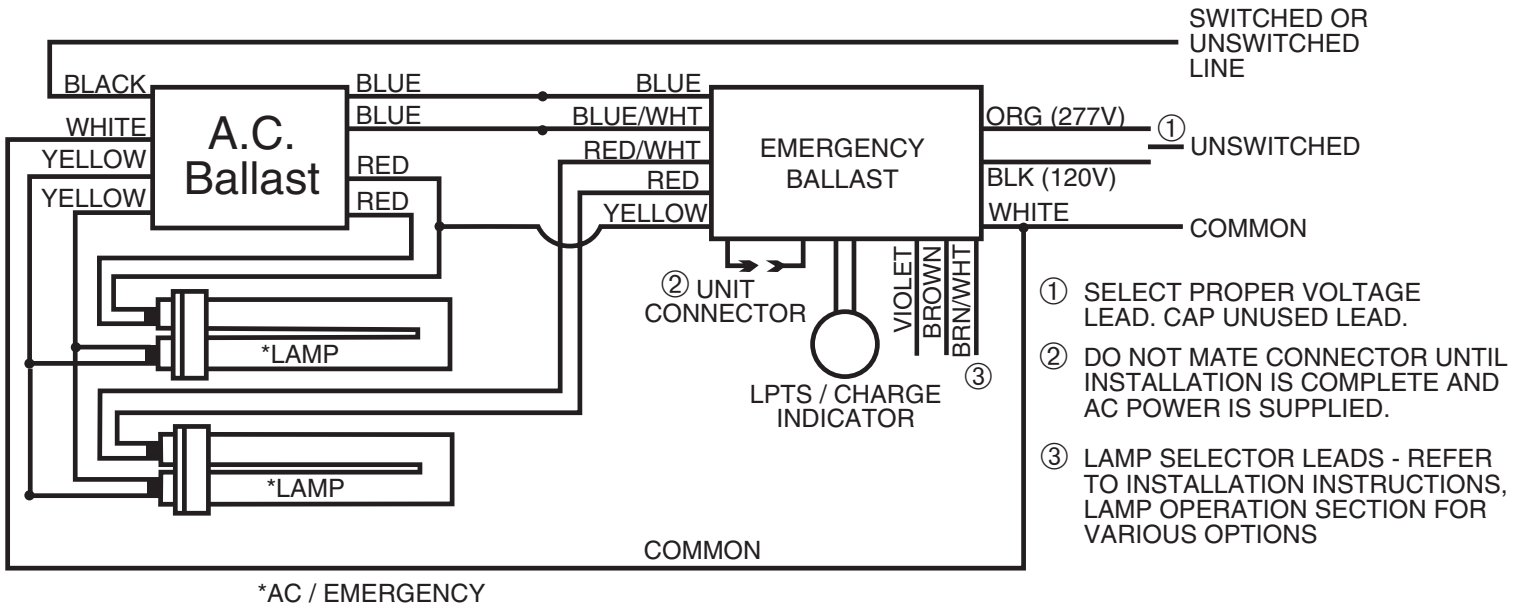
## TWO COMPACT LAMP RAPID START BALLAST



2CLRSB2\_160

**NOTES**

## TWO COMPACT RAPID START BALLAST TWO LAMP OPERATION

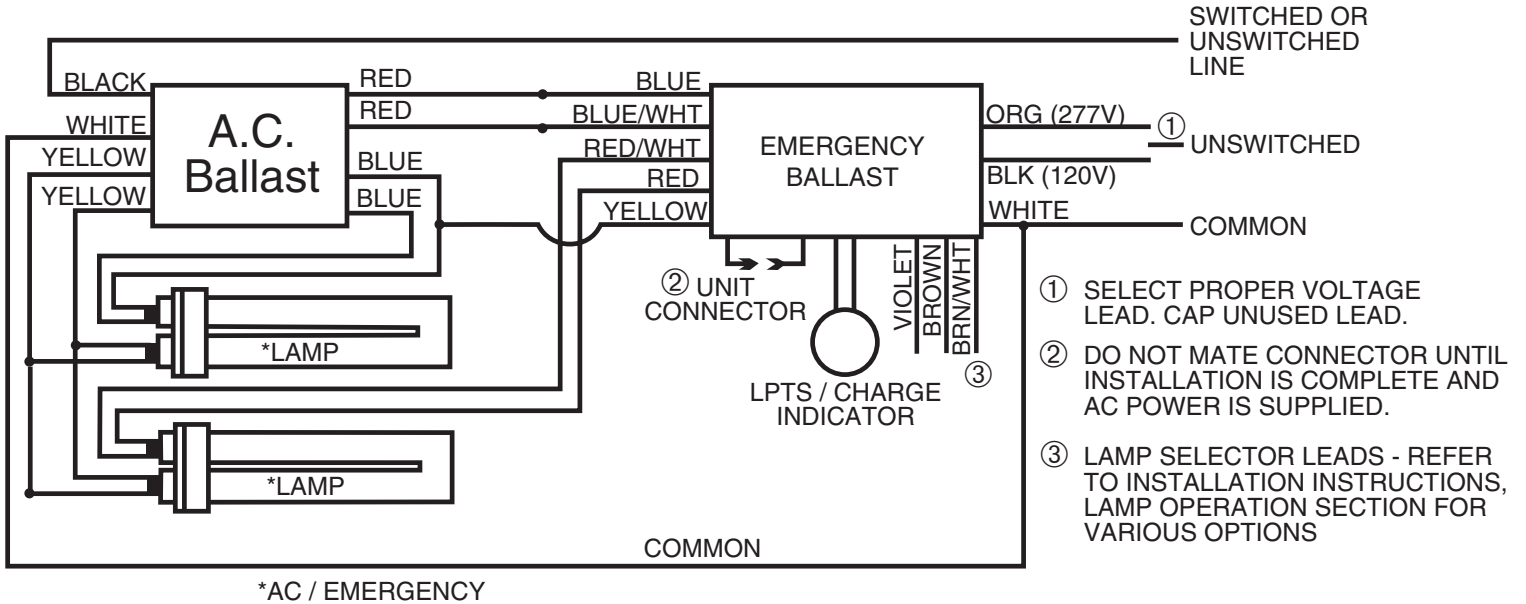


2BXLRSB2LEO\_160

### NOTES



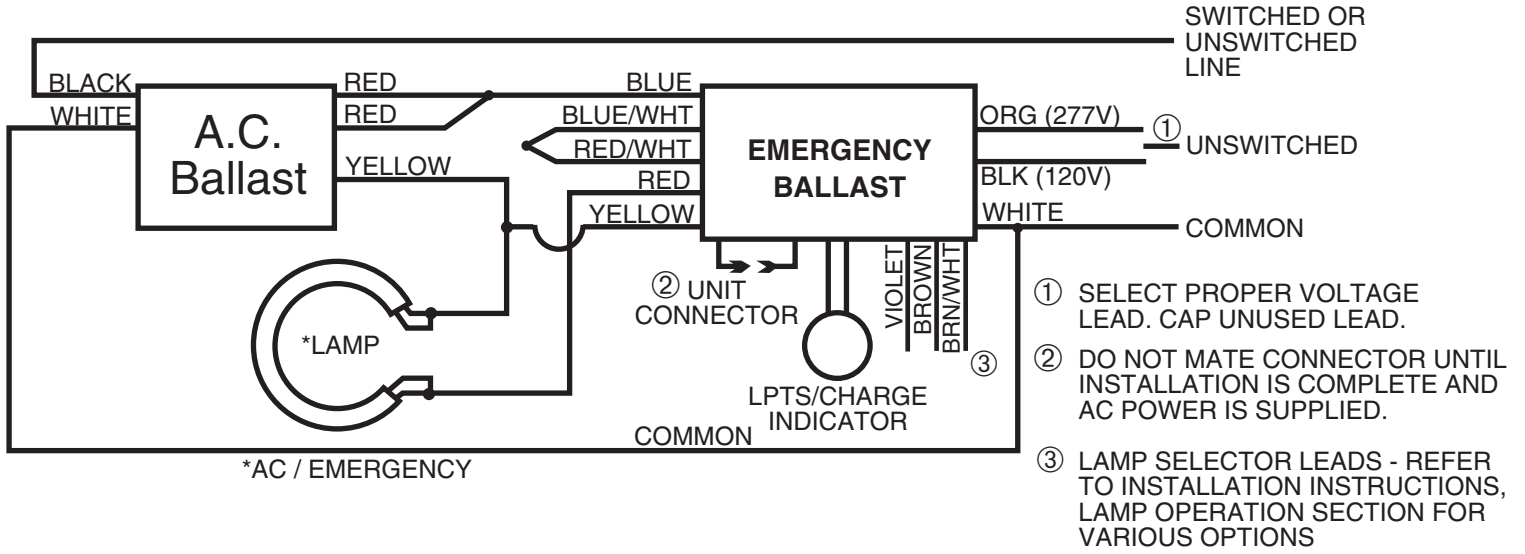
## TWO COMPACT RAPID START BALLAST TWO LAMP OPERATION



2BXLRSB2LEO2\_160

### NOTES

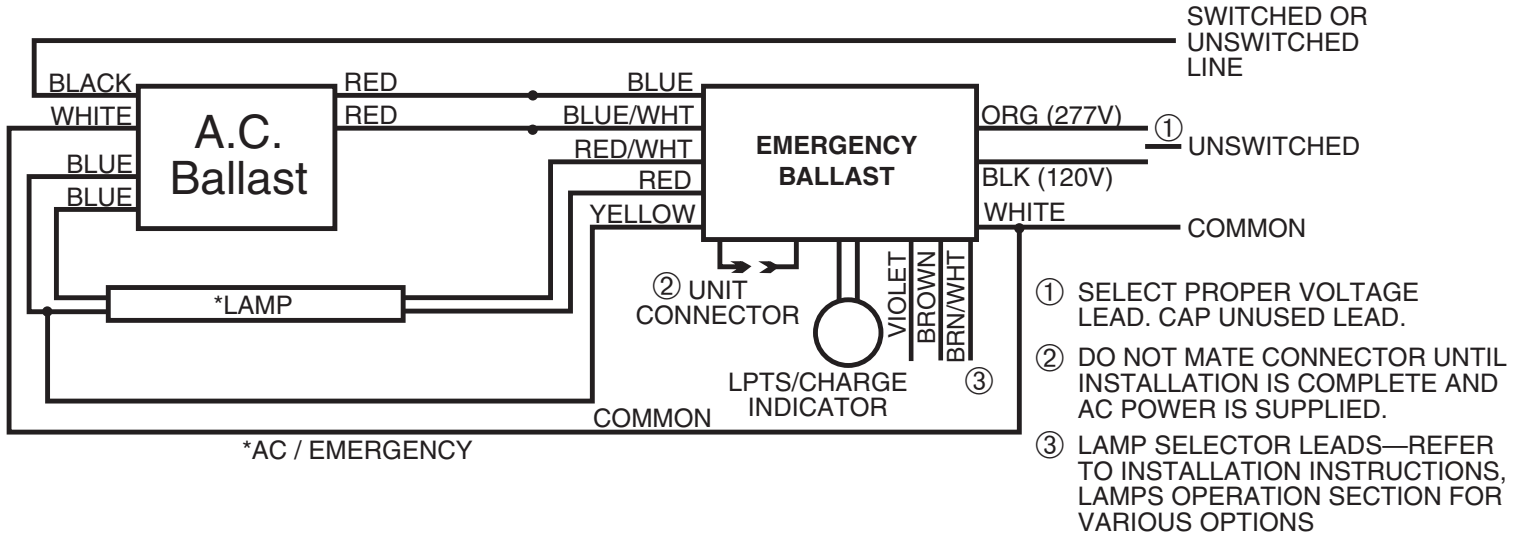
## ONE LAMP CIRCLINE RAPID START BALLAST



1LCRSB\_160F

### NOTES

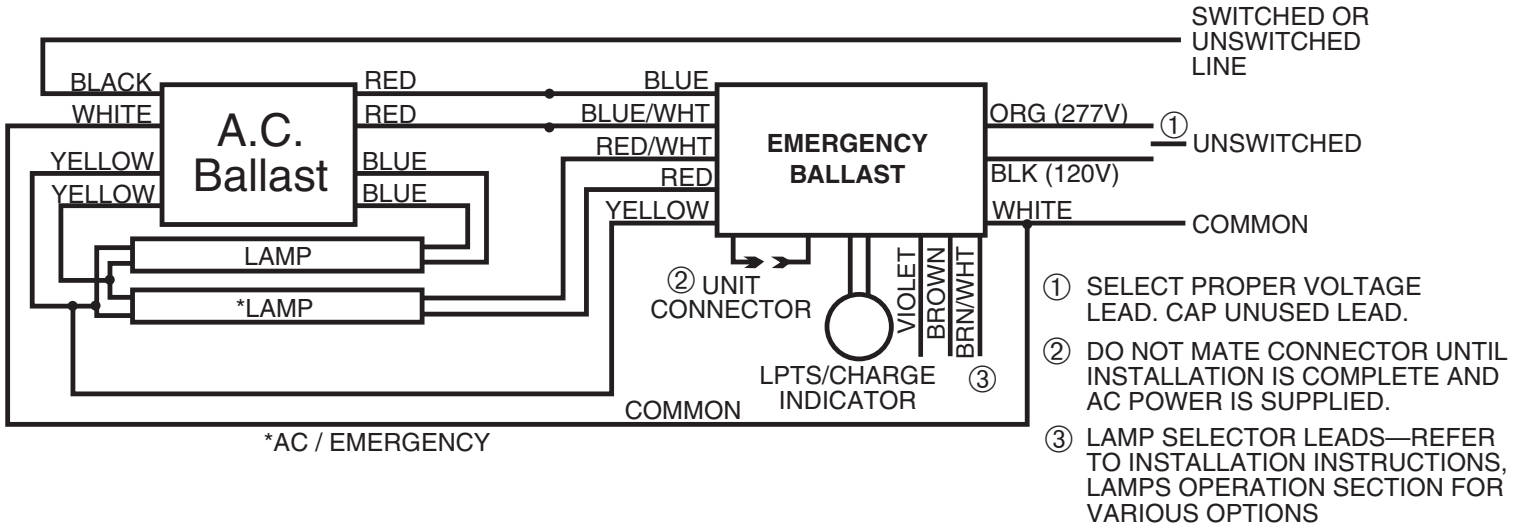
## ONE LAMP RAPID START BALLAST



1LRSB\_160\_2

### NOTES

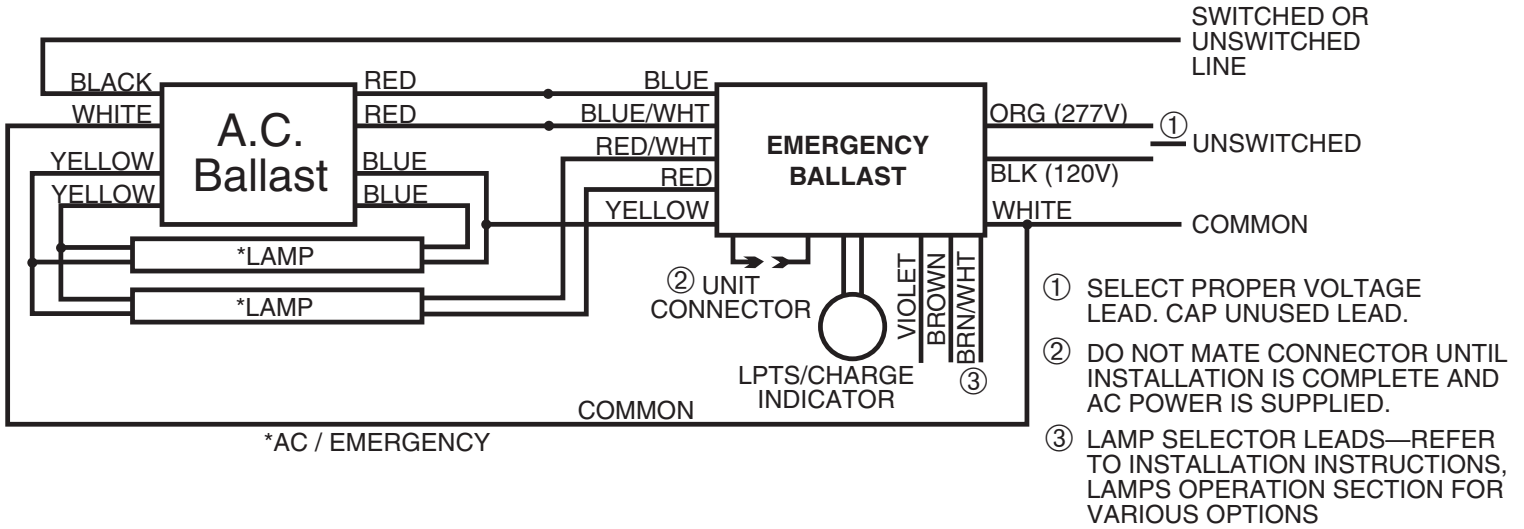
## TWO LAMP RAPID START BALLAST



2LRSB\_160\_2

### NOTES

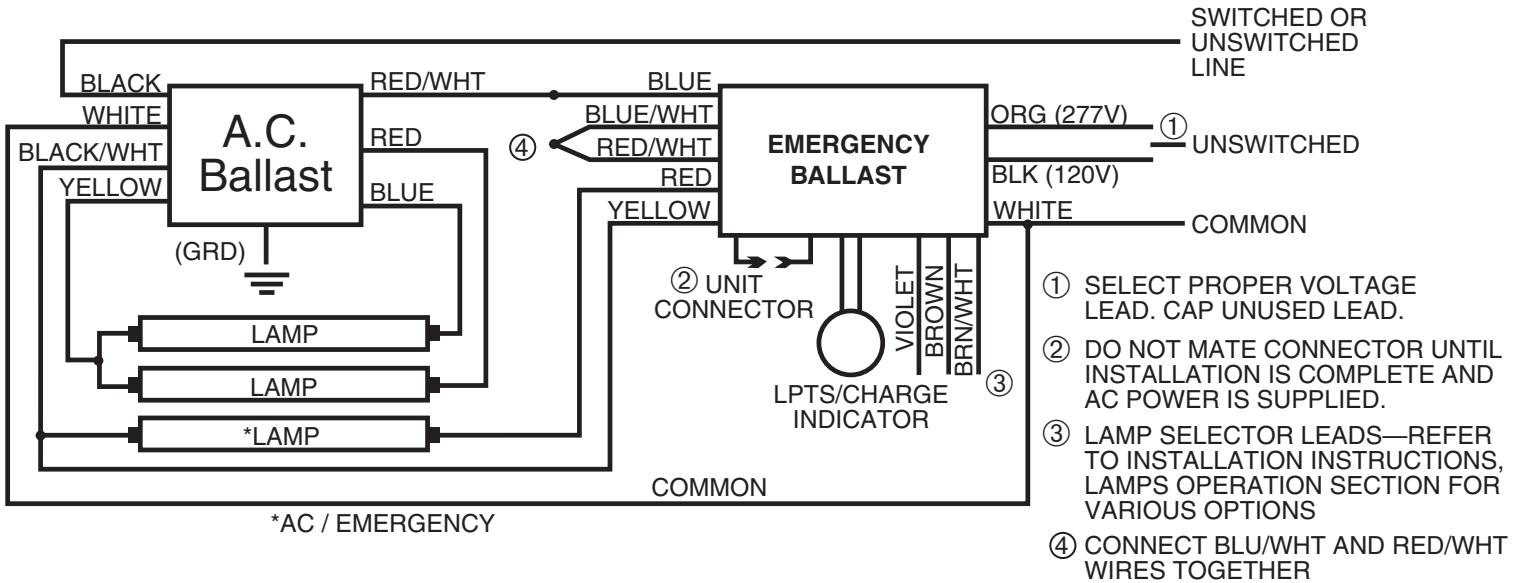
## TWO LAMP RAPID START BALLAST WITH TWO LAMP EMERGENCY OPERATION



2LRSB\_2LEO\_1602

### NOTES

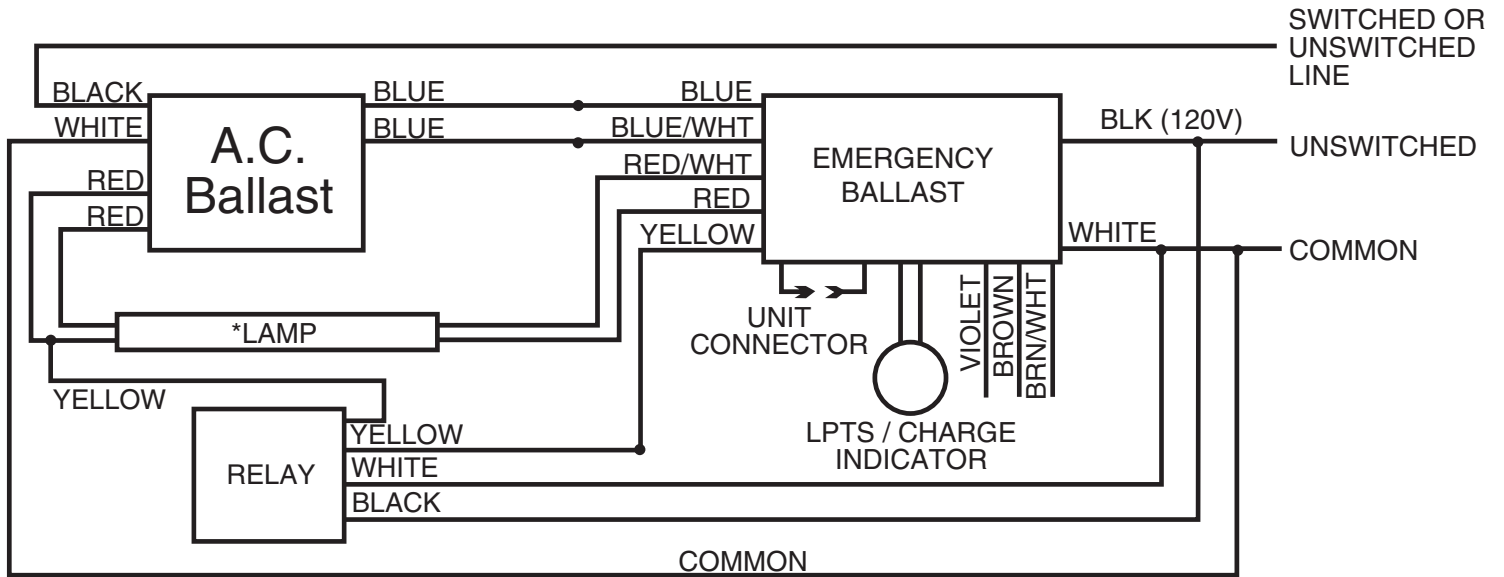
## THREE LAMP INSTANT START BALLAST



3LISB\_160\_3

### NOTES

## ONE LAMP RAPID START BALLAST WITH RELAY



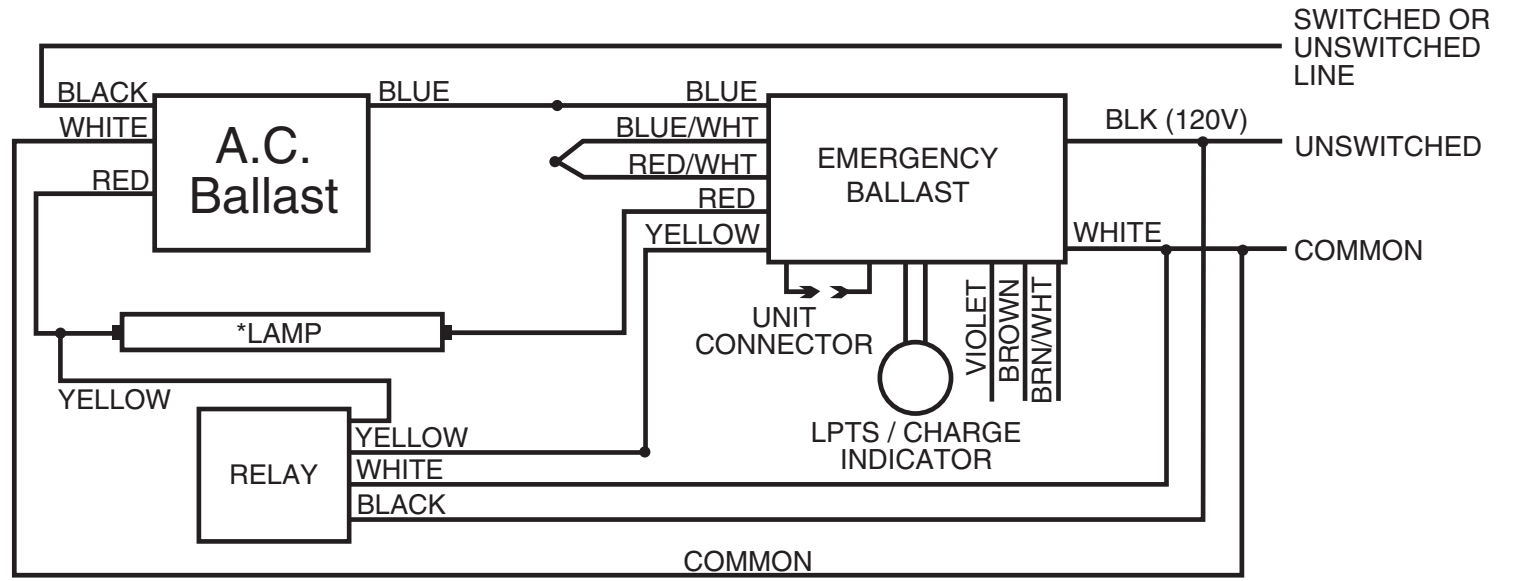
\*AC / EMERGENCY

1LRSBWR\_160

### NOTES

Blank area for notes.

## ONE LAMP INSTANT START BALLAST WITH RELAY



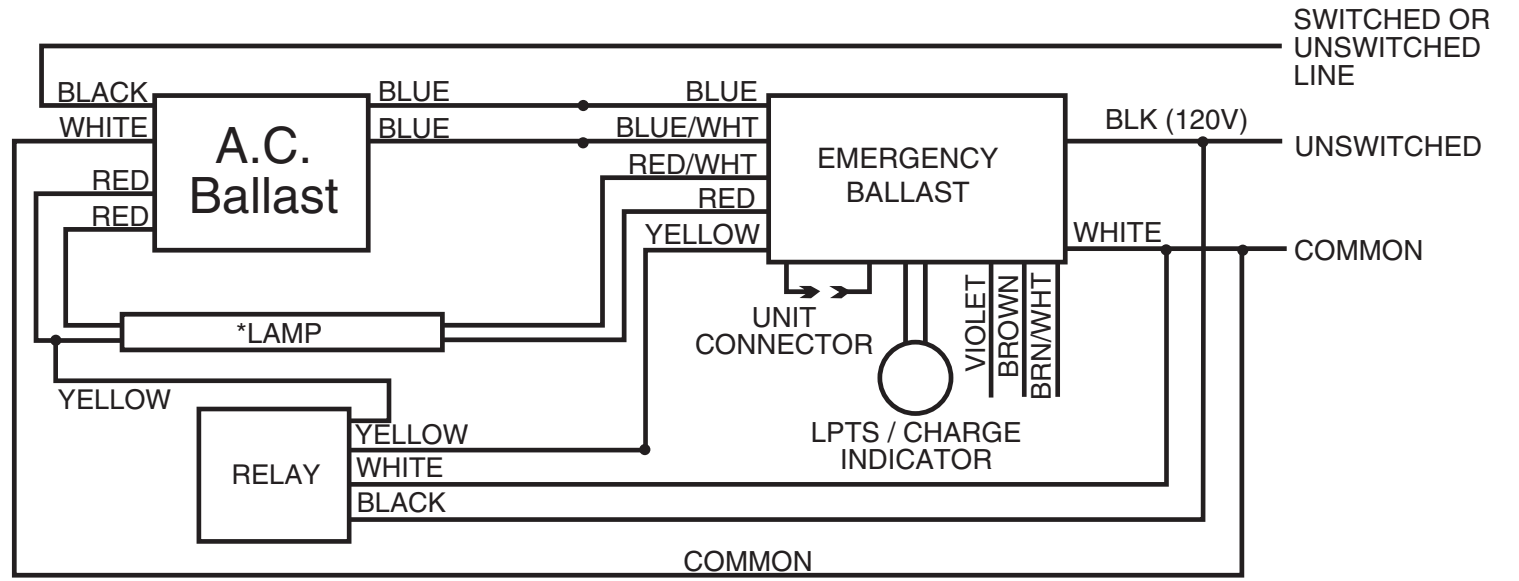
\*AC / EMERGENCY

1LISBWR\_160

**NOTES**



## ONE LAMP RAPID START BALLAST WITH RELAY

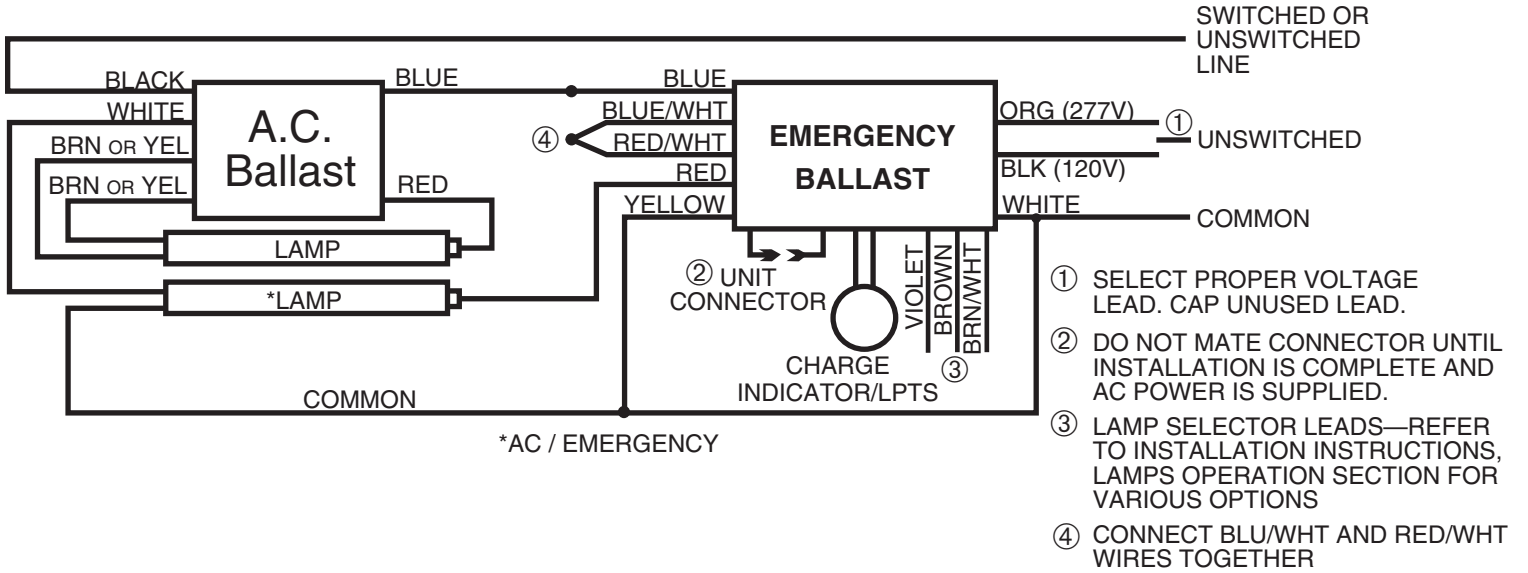


\*AC / EMERGENCY

1LRSBWR\_160

**NOTES**

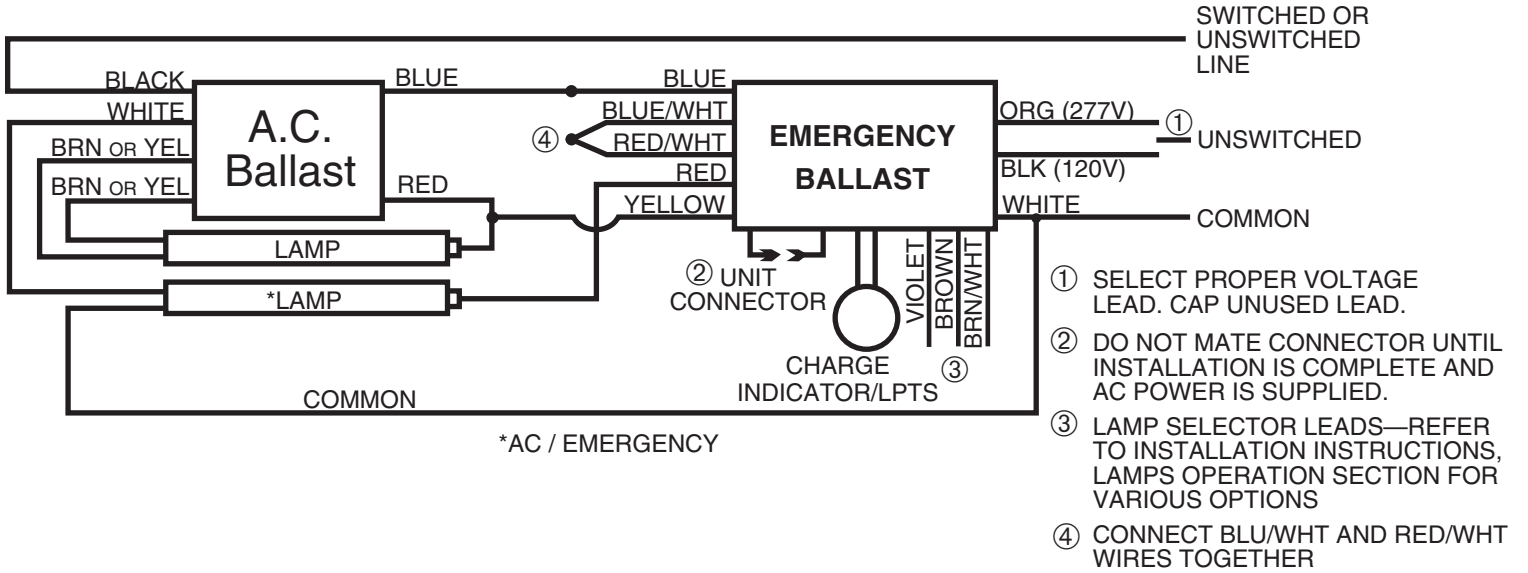
## TWO LAMP SERIES LEAD BALLAST



2LSL\_160

### NOTES

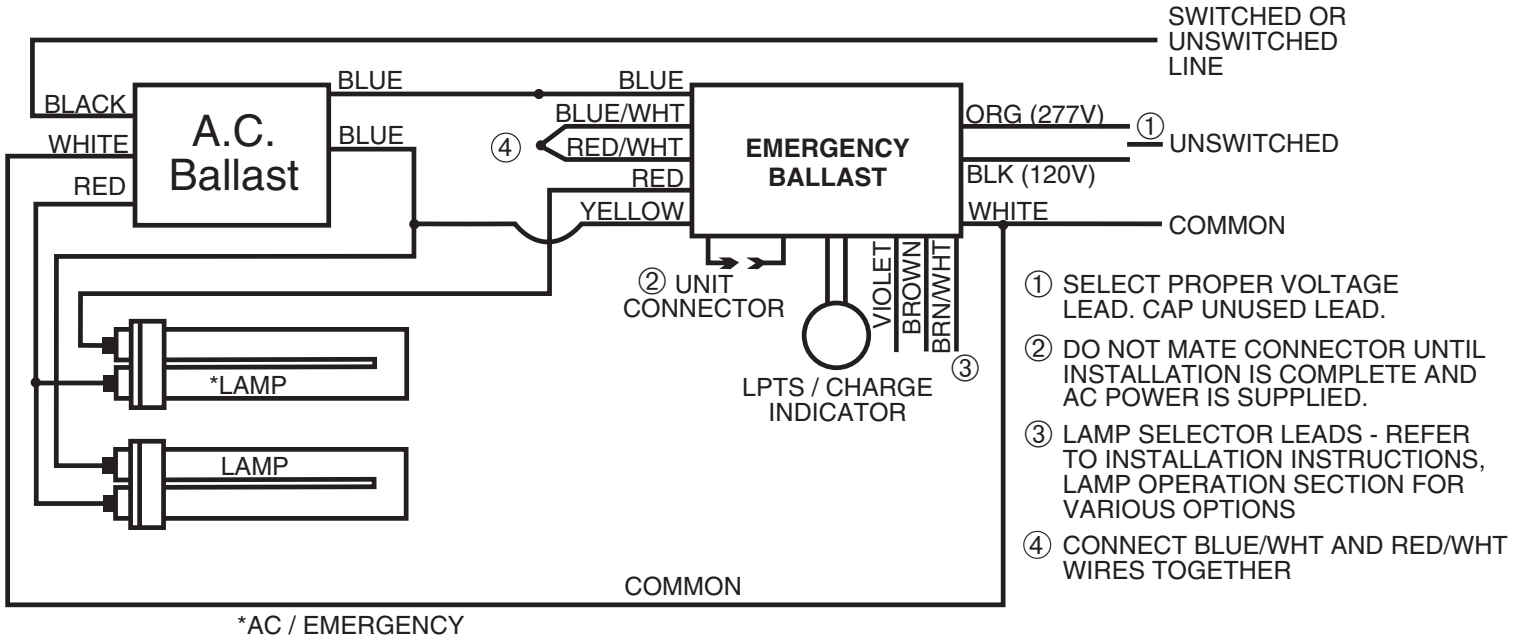
## TWO LAMP SERIES LEAD BALLAST WITH TWO LAMP EMERGENCY OPERATION



2LSL\_2LEO\_160

### NOTES

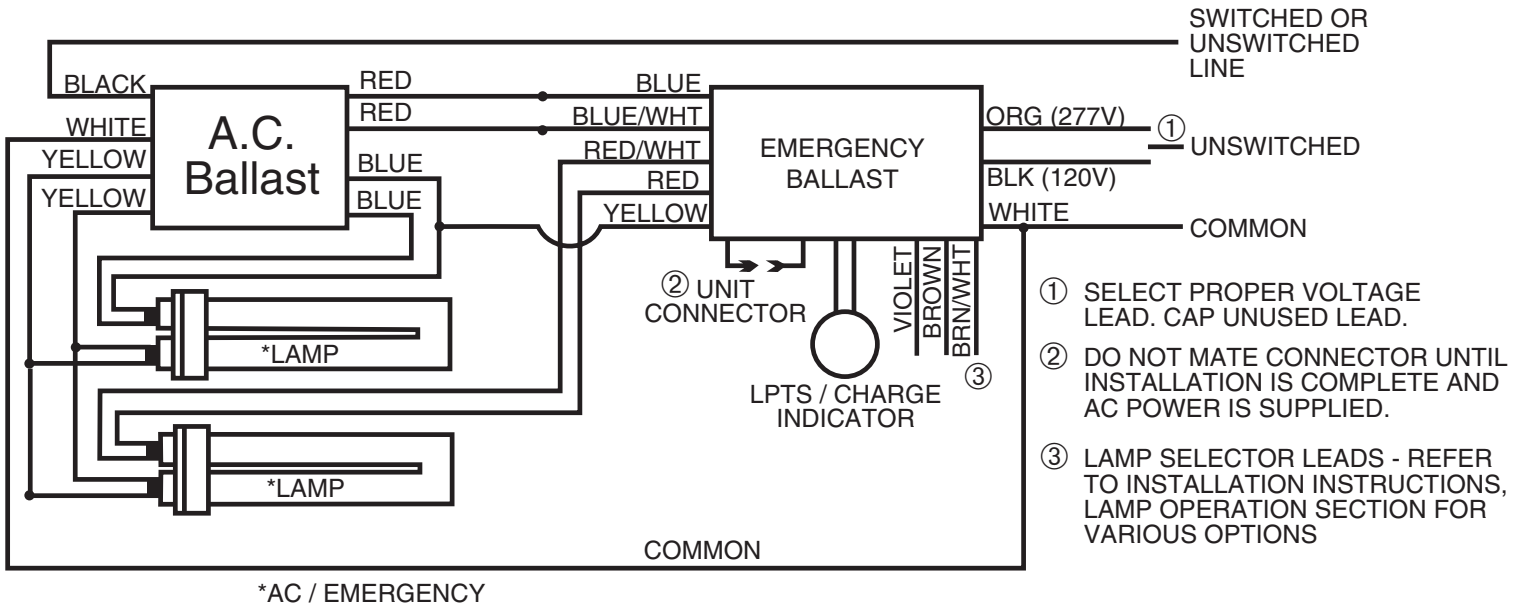
## TWO BIAx LAMP INSTANT START BALLAST TWO LAMP EMERGENCY OPERATION



2LISBX\_2LEO\_160

### NOTES

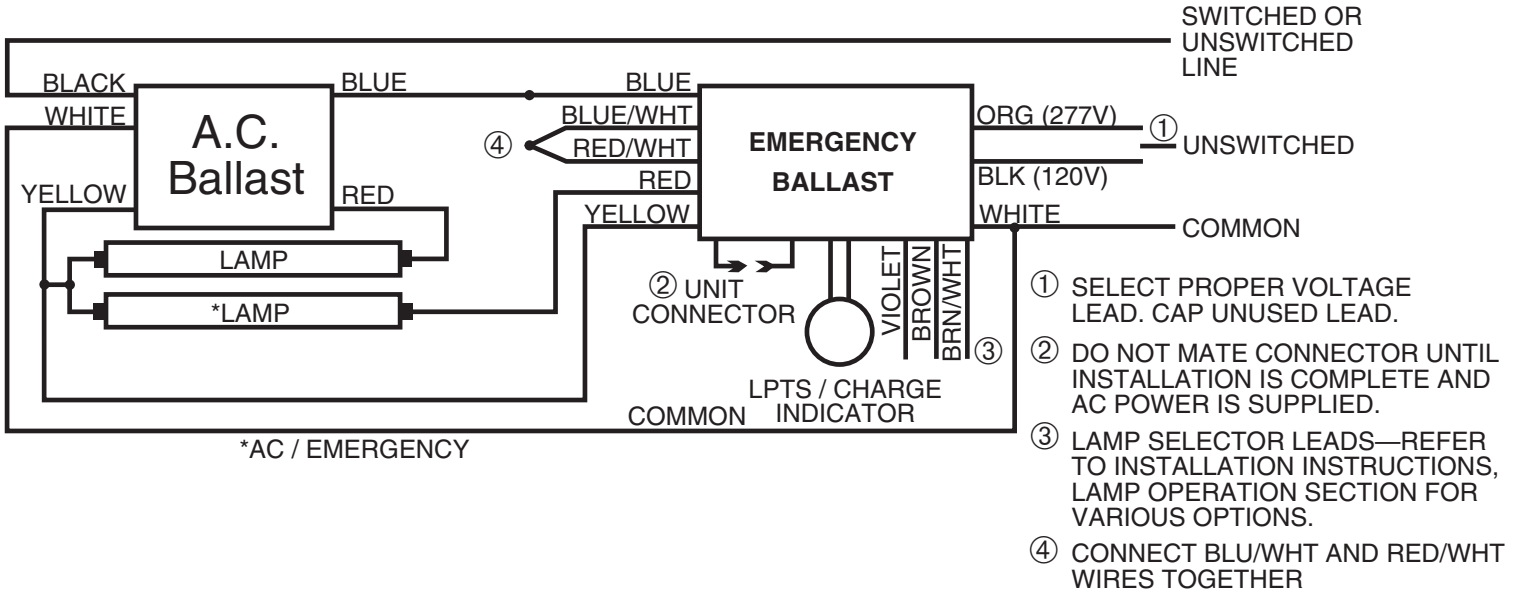
## TWO COMPACT RAPID START BALLAST TWO LAMP OPERATION



2BXLRSB2LEO2\_160

### NOTES

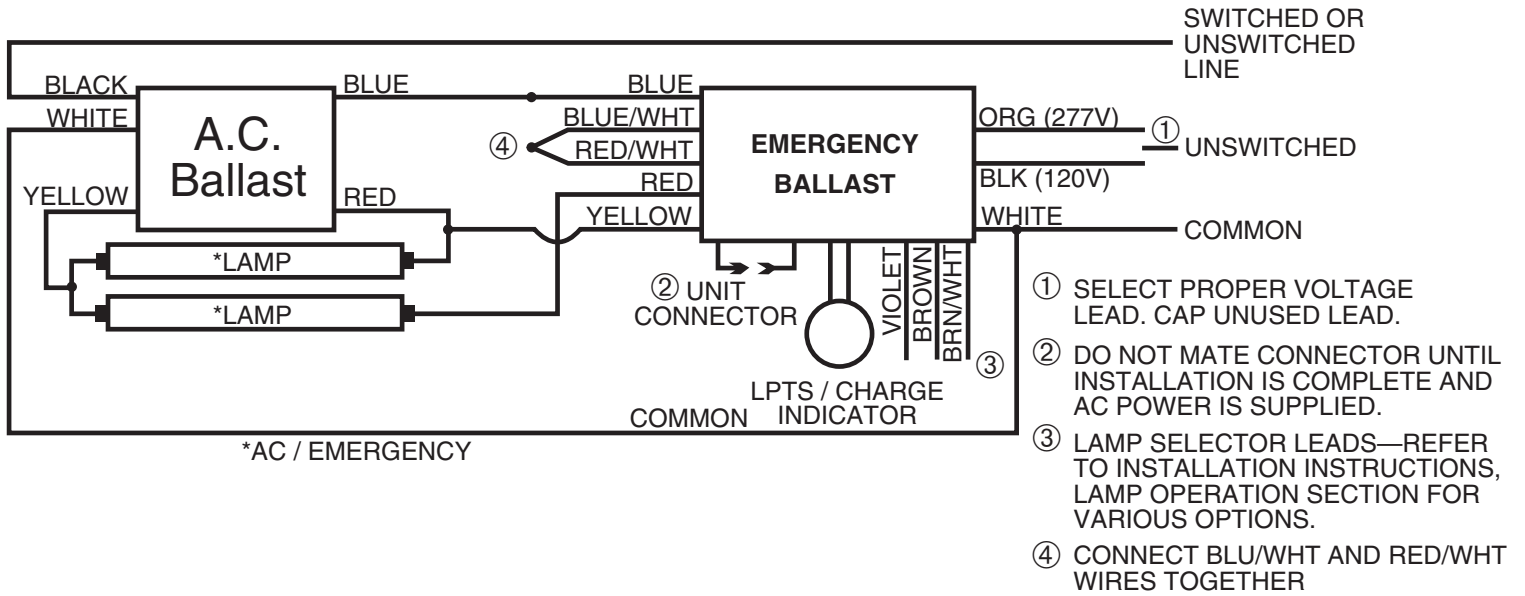
## TWO LAMP INSTANT START BALLAST



2LISBESI\_160

### NOTES

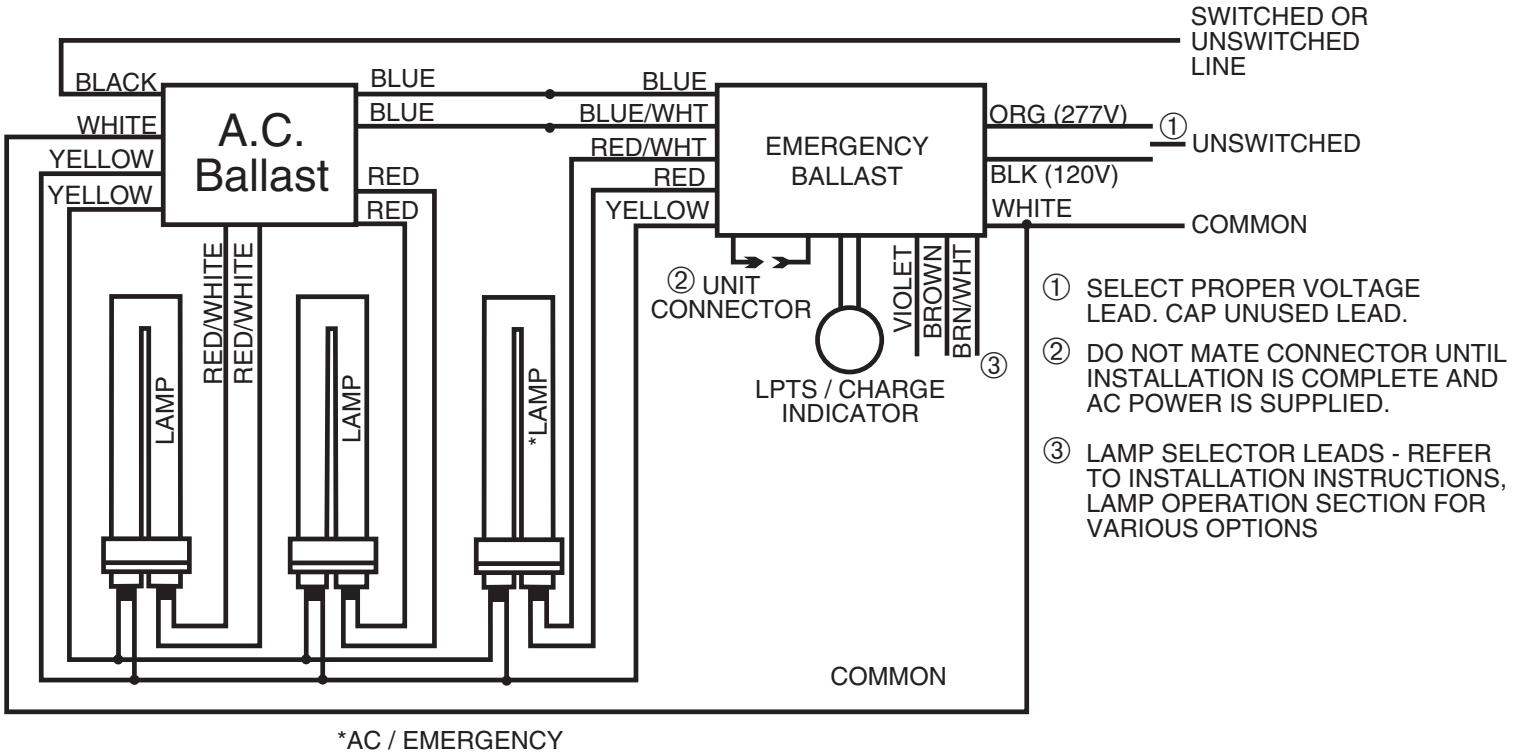
## TWO LAMP INSTANT START BALLAST TWO LAMP OPERATION



2LISBESI\_2LEO\_160

### NOTES

## THREE BIAX RAPID START BALLAST

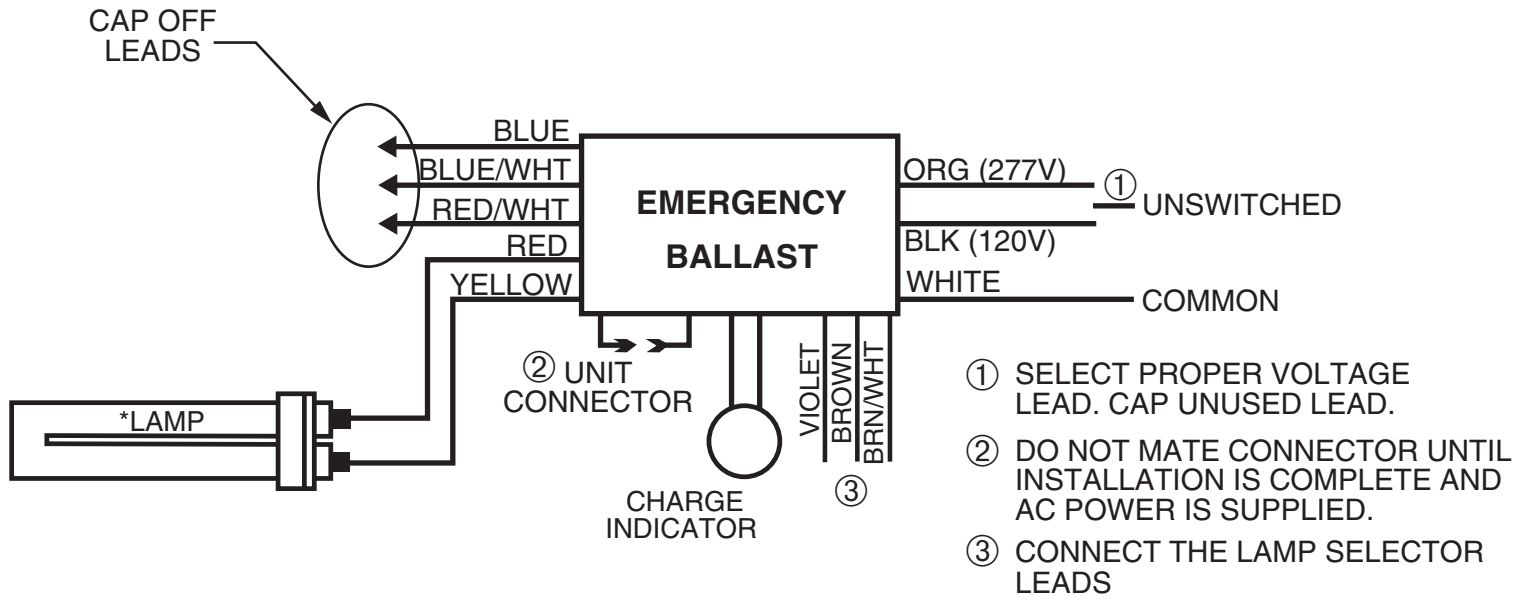


3BXLRSB\_160

### NOTES



## ONE COMPACT LAMP EMERGENCY ONLY

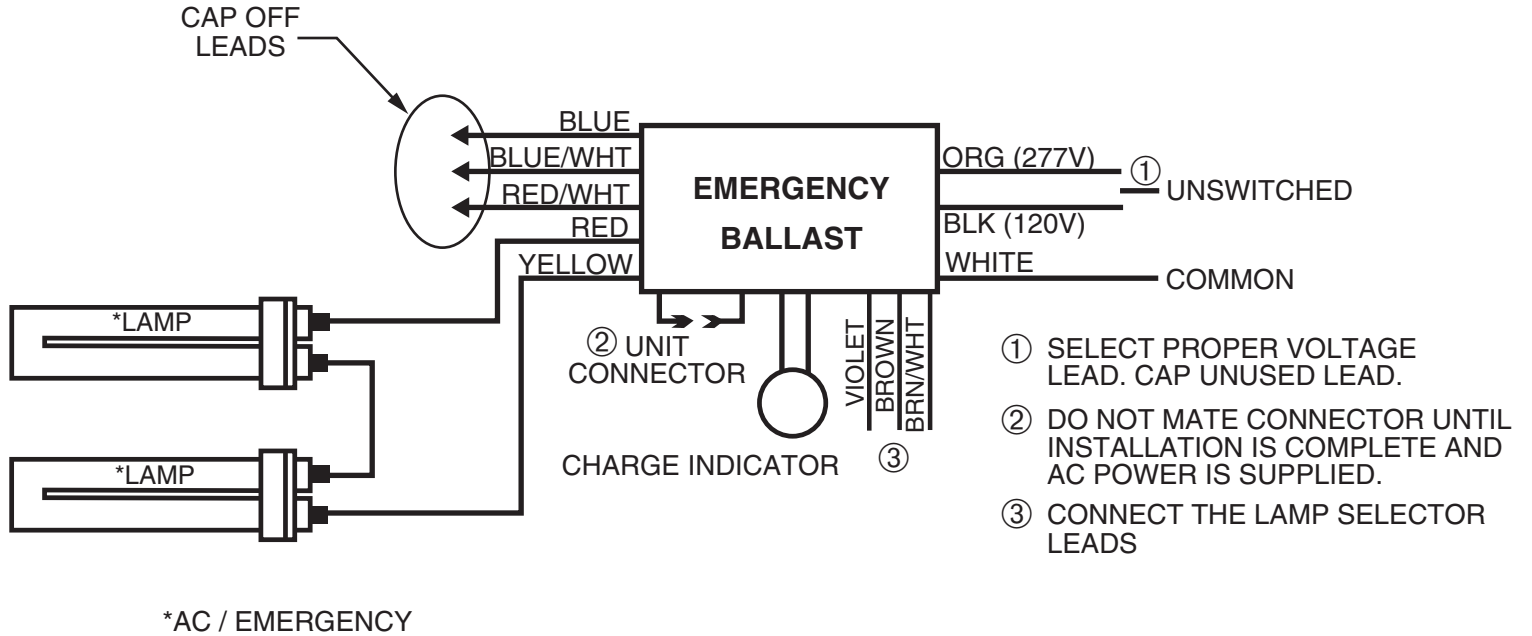


\*AC / EMERGENCY

1CLEO\_160

**NOTES**

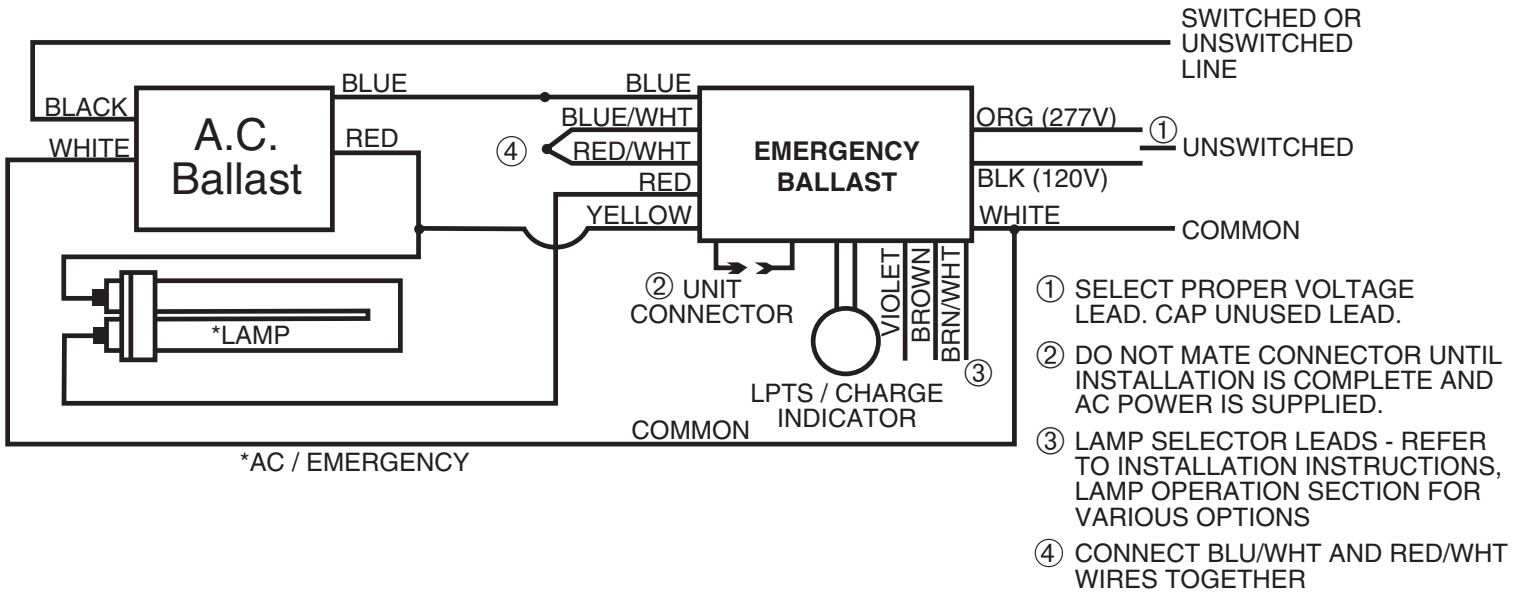
## TWO COMPACT LAMP EMERGENCY ONLY



2CLEO\_160\_2

### NOTES

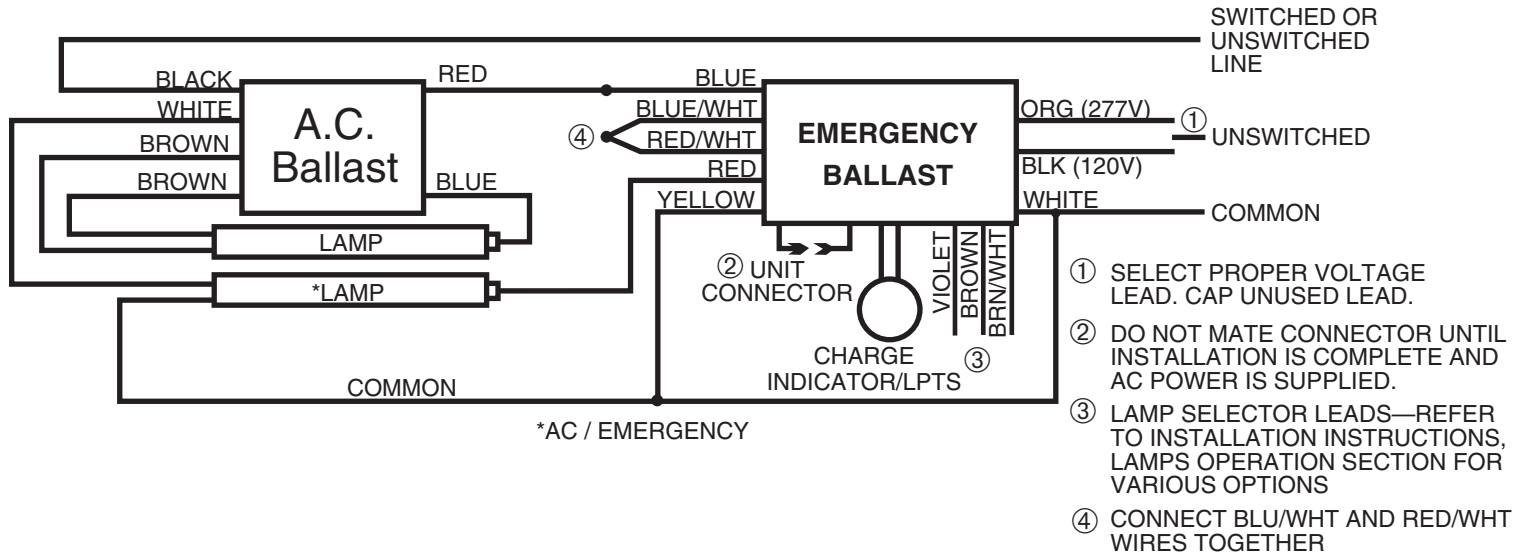
## ONE LAMP INSTANT START BIAx



1LBX\_160\_2

### NOTES

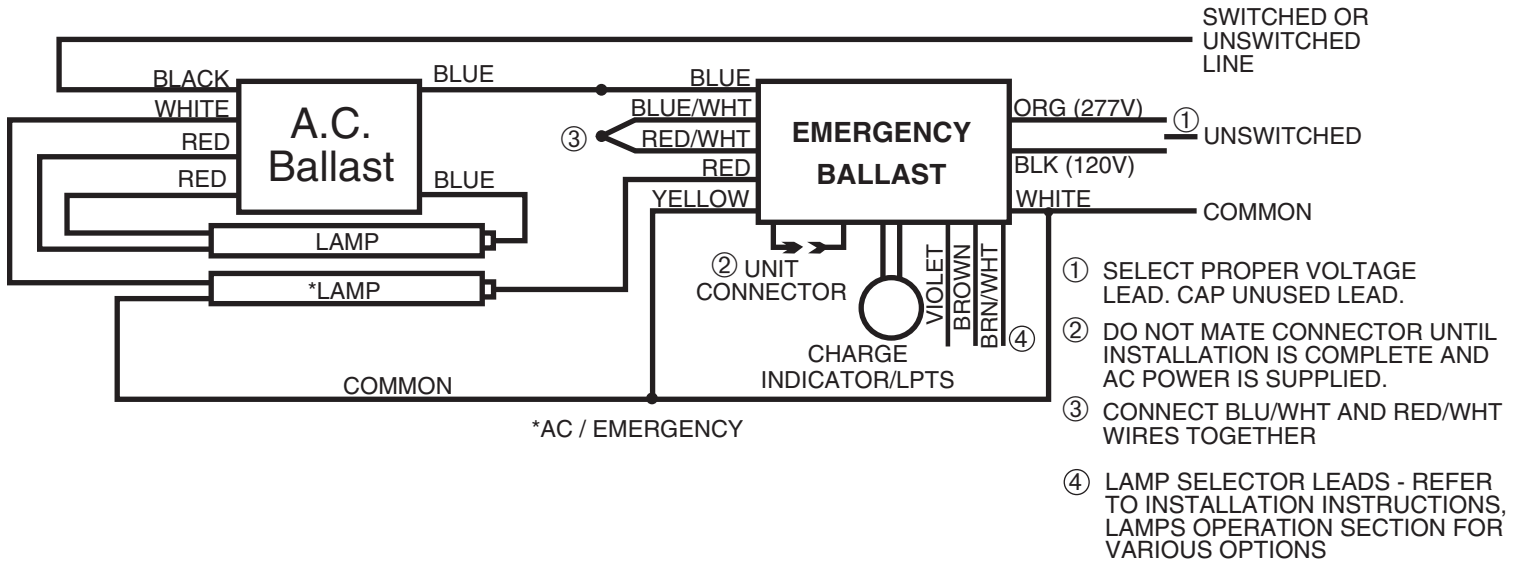
## TWO LAMP SERIES LEAD BALLAST



2LSL\_160\_2

### NOTES

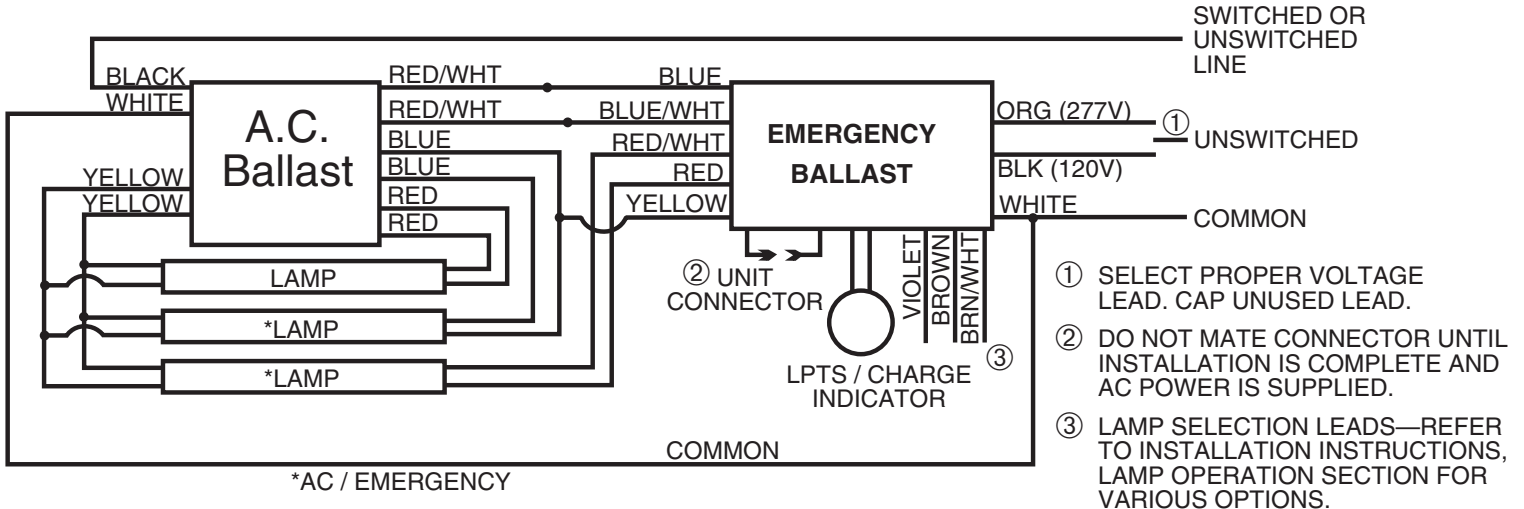
## TWO LAMP SERIES LEAD BALLAST



2LSL\_160\_3

### NOTES

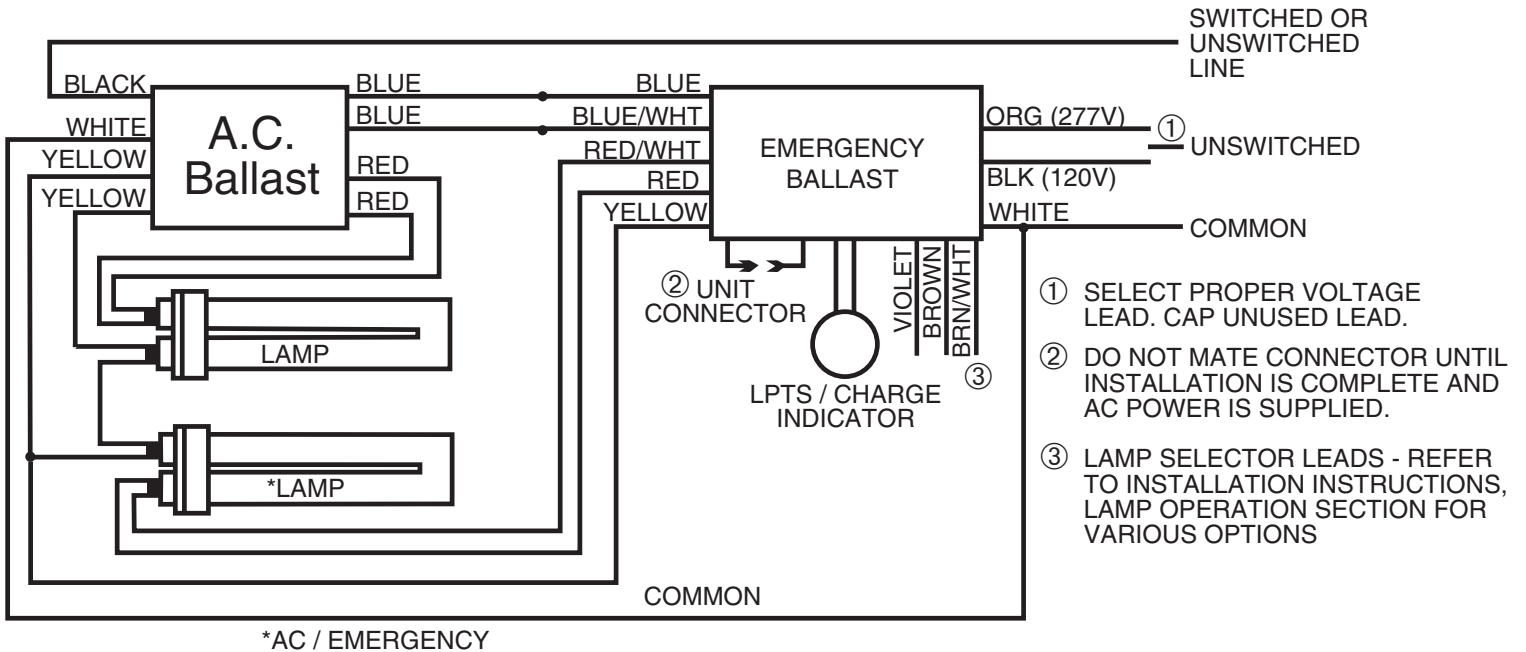
## THREE LAMP RAPID START BALLAST WITH TWO LAMP OPERATION



3LRSB3\_160\_2LEO

### NOTES

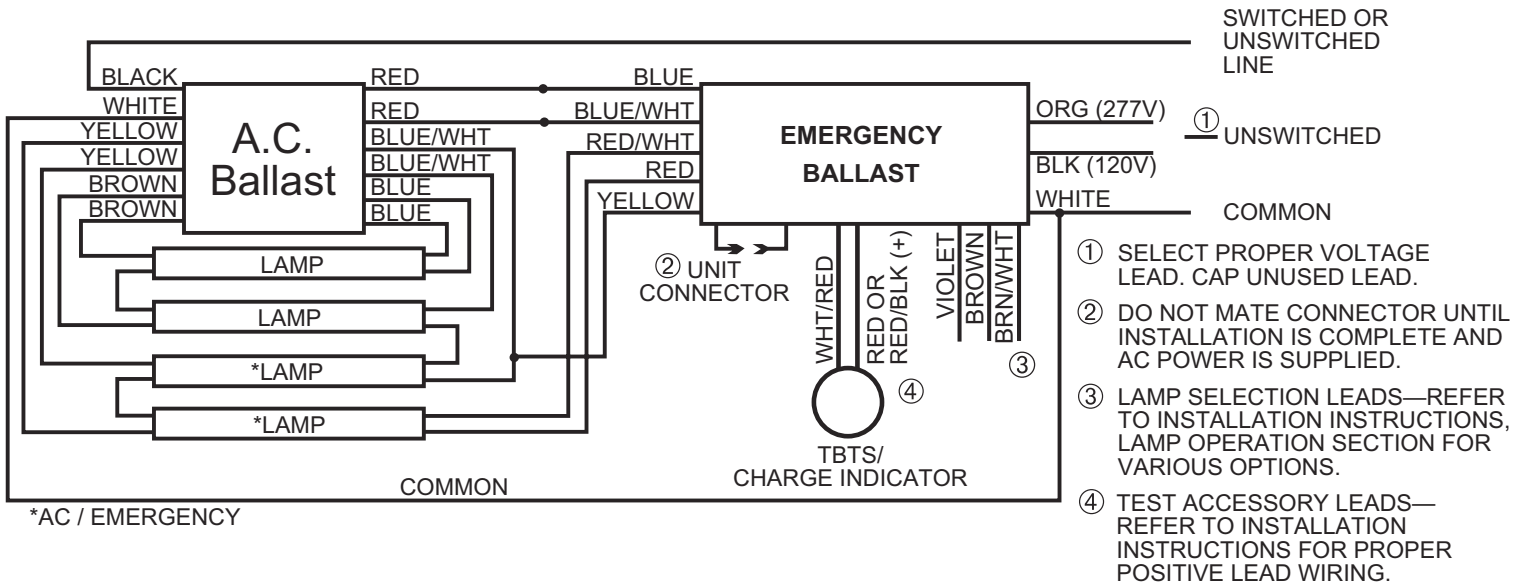
## TWO COMPACT RAPID START BALLAST



2BXLRSB\_160

### NOTES

## FOUR LAMP RAPID START BALLAST WITH TWO LAMP EMERGENCY OPERATION

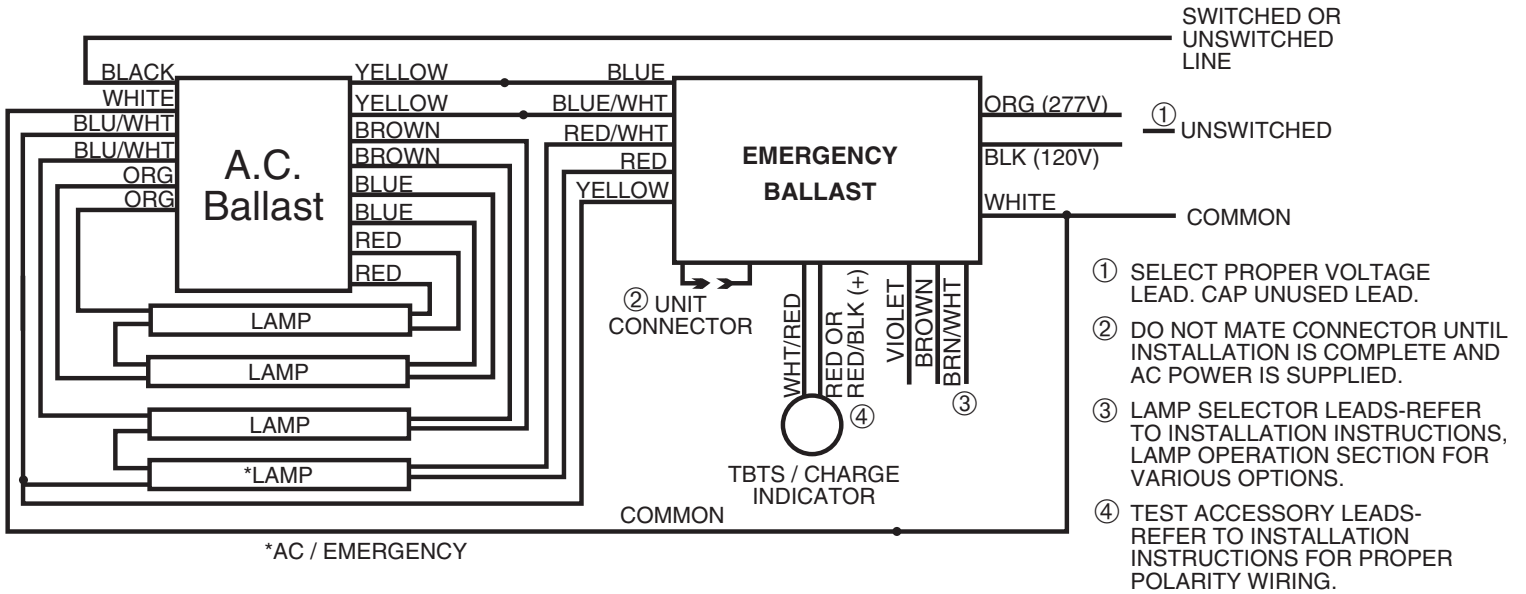


4LRSB\_2LEO\_2\_160

### NOTES



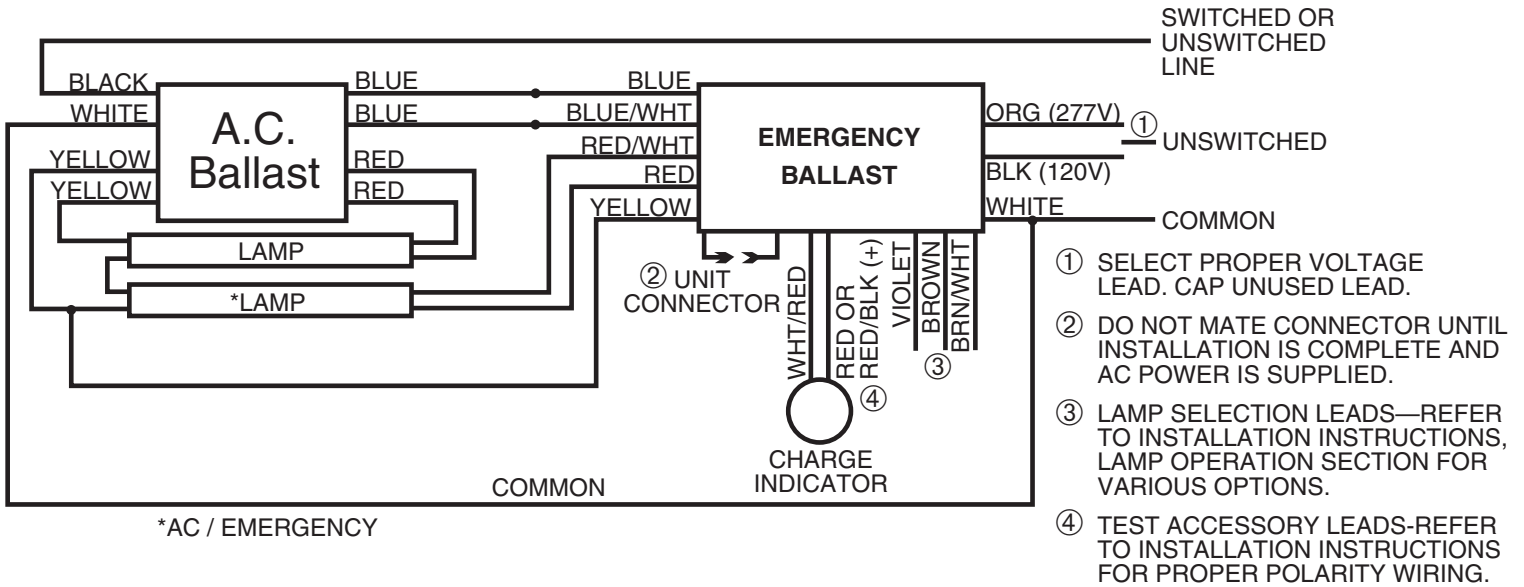
## FOUR LAMP RAPID START BALLAST



4LRB3\_160

### NOTES

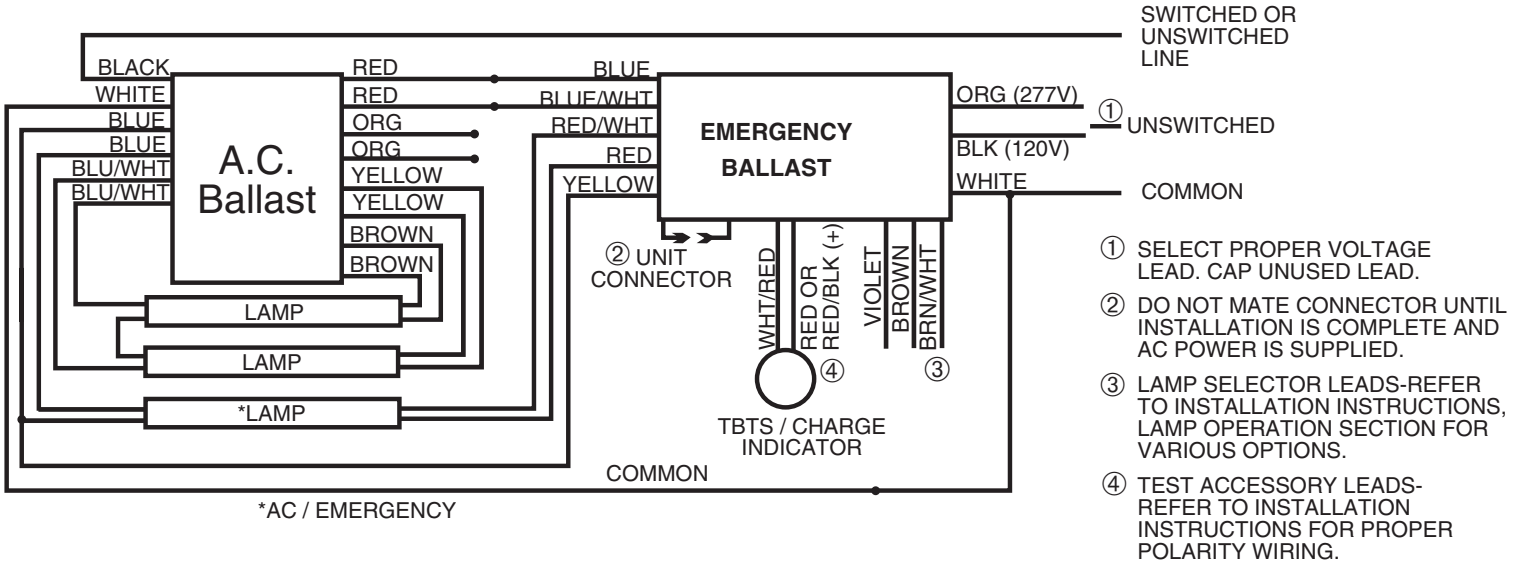
## TWO LAMP RAPID START BALLAST



2LRSB\_160\_3

### NOTES

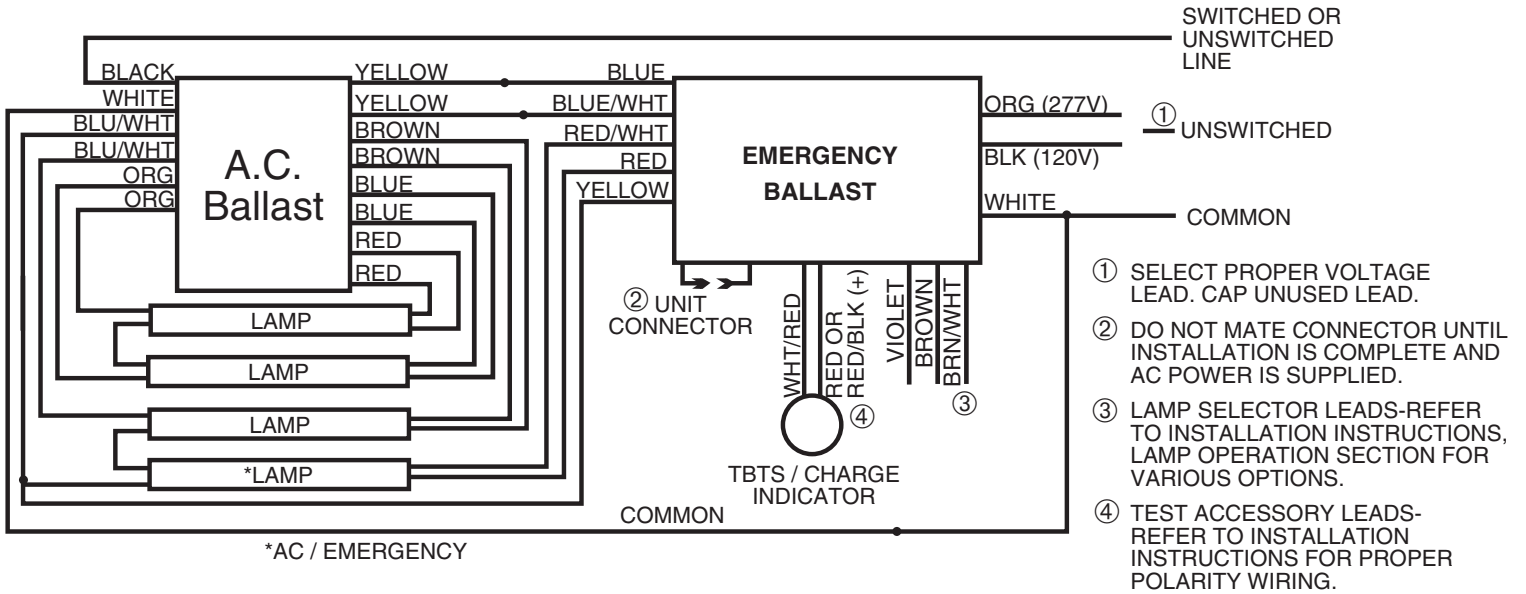
## THREE LAMP RAPID START BALLAST



3LRSB4\_160

### NOTES

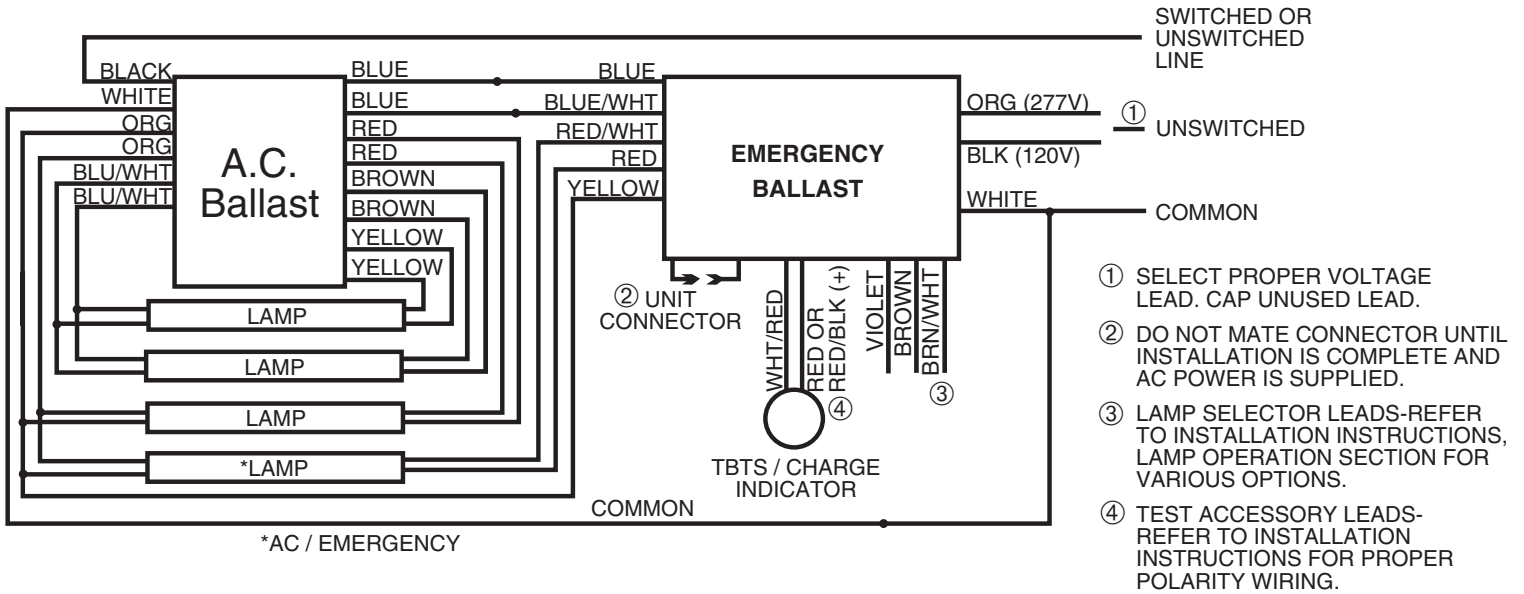
## FOUR LAMP RAPID START BALLAST



4LRB3\_160

### NOTES

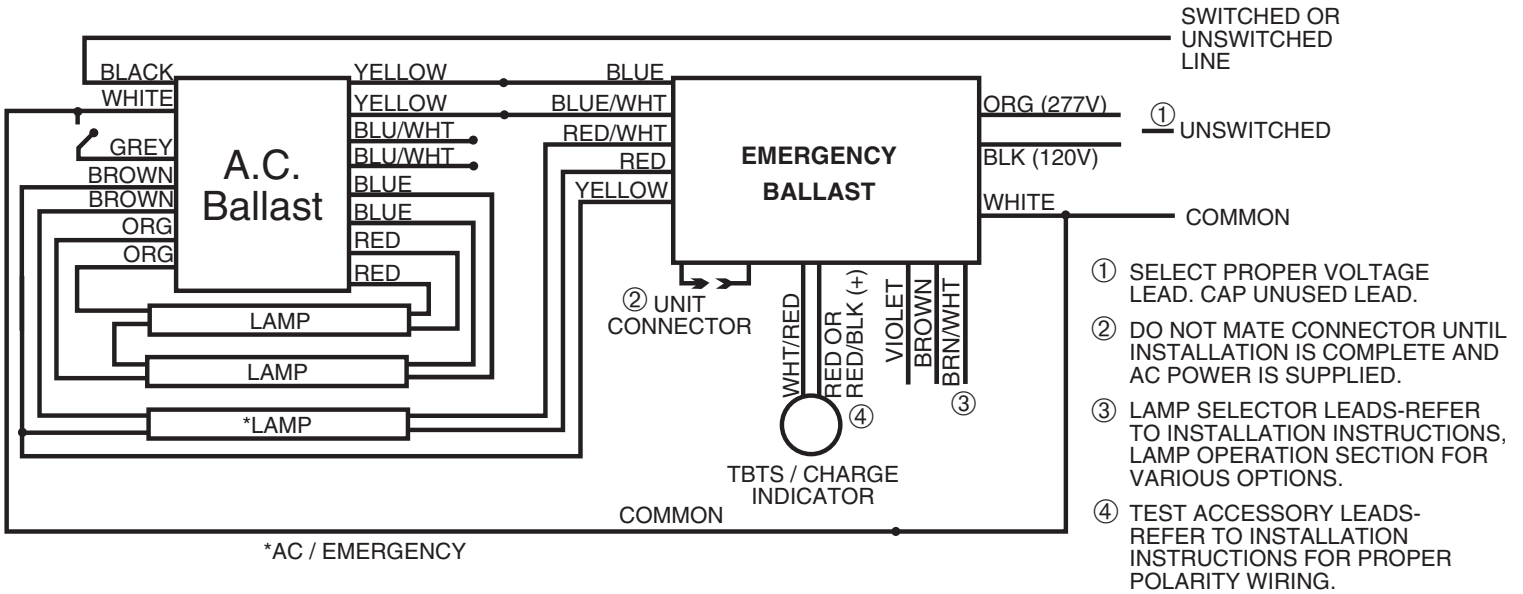
## FOUR LAMP RAPID START BALLAST



4LRSB4\_160

### NOTES

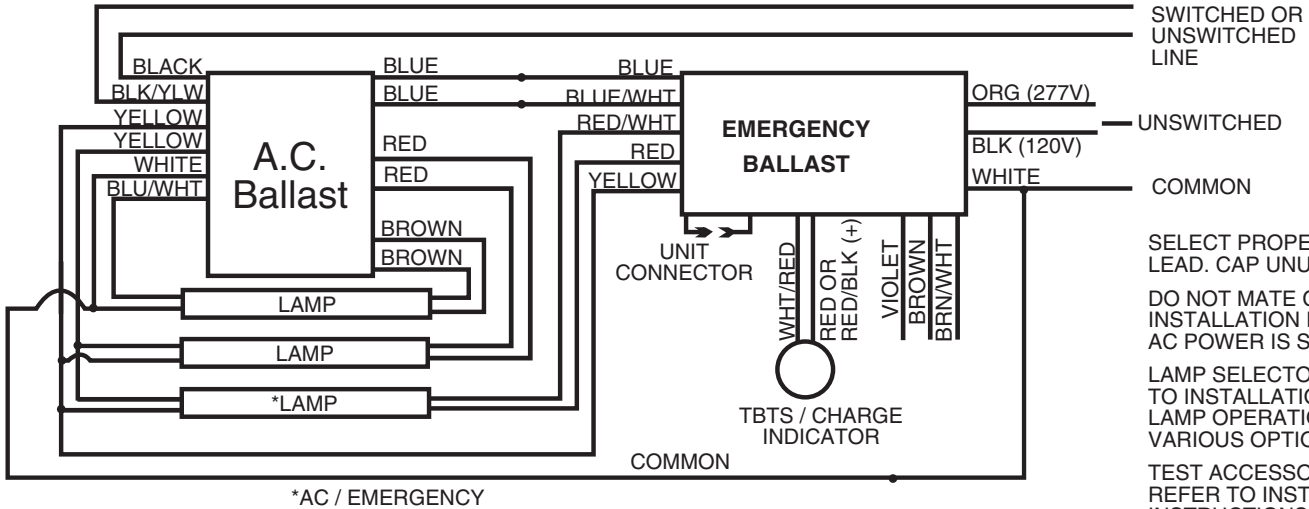
## THREE LAMP RAPID START BALLAST



3LRSB5\_160

### NOTES

## THREE LAMP RAPID START BALLAST



SELECT PROPER VOLTAGE LEAD. CAP UNUSED LEAD.

DO NOT MATE CONNECTOR UNTIL INSTALLATION IS COMPLETE AND AC POWER IS SUPPLIED.

LAMP SELECTOR LEADS-REFER TO INSTALLATION INSTRUCTIONS, LAMP OPERATION SECTION FOR VARIOUS OPTIONS.

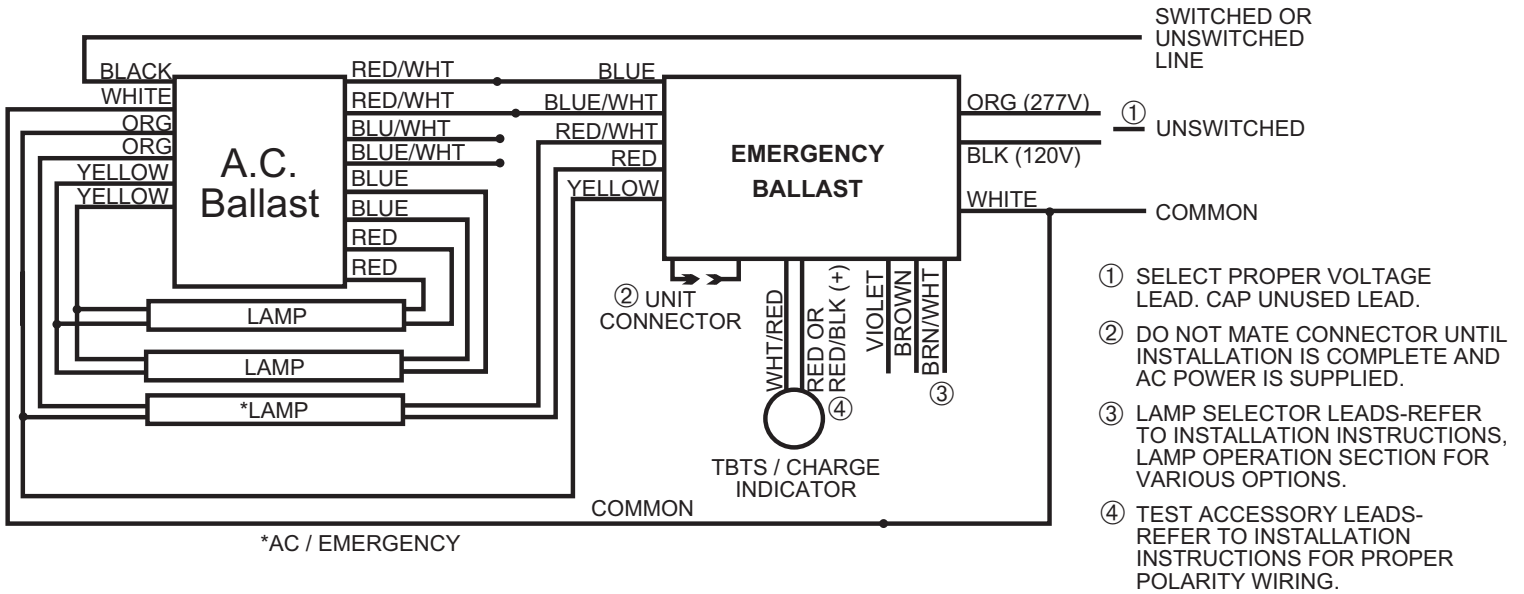
TEST ACCESSORY LEADS-REFER TO INSTALLATION INSTRUCTIONS FOR PROPER POLARITY WIRING.

3LRSB4\_160\_1

### NOTES

Blank area for notes.

## THREE LAMP RAPID START BALLAST

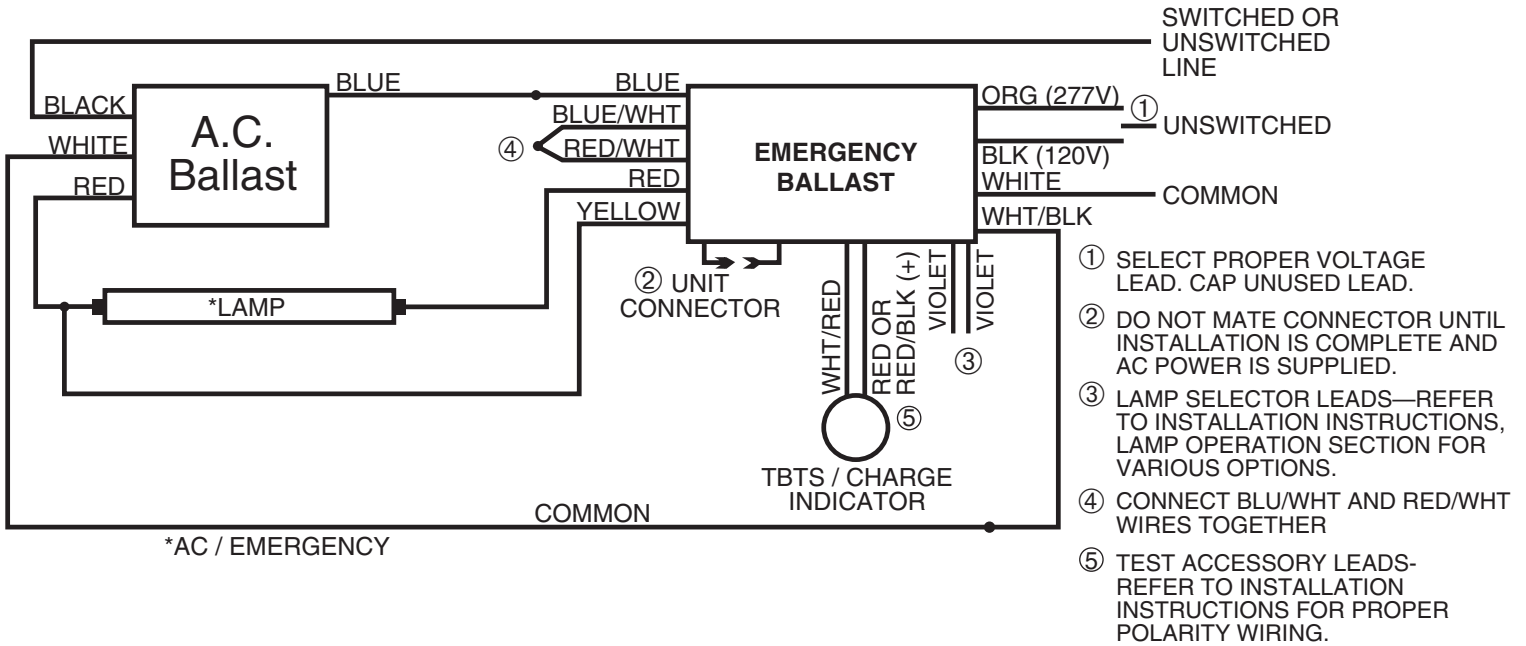


3LRSB6\_160

### NOTES



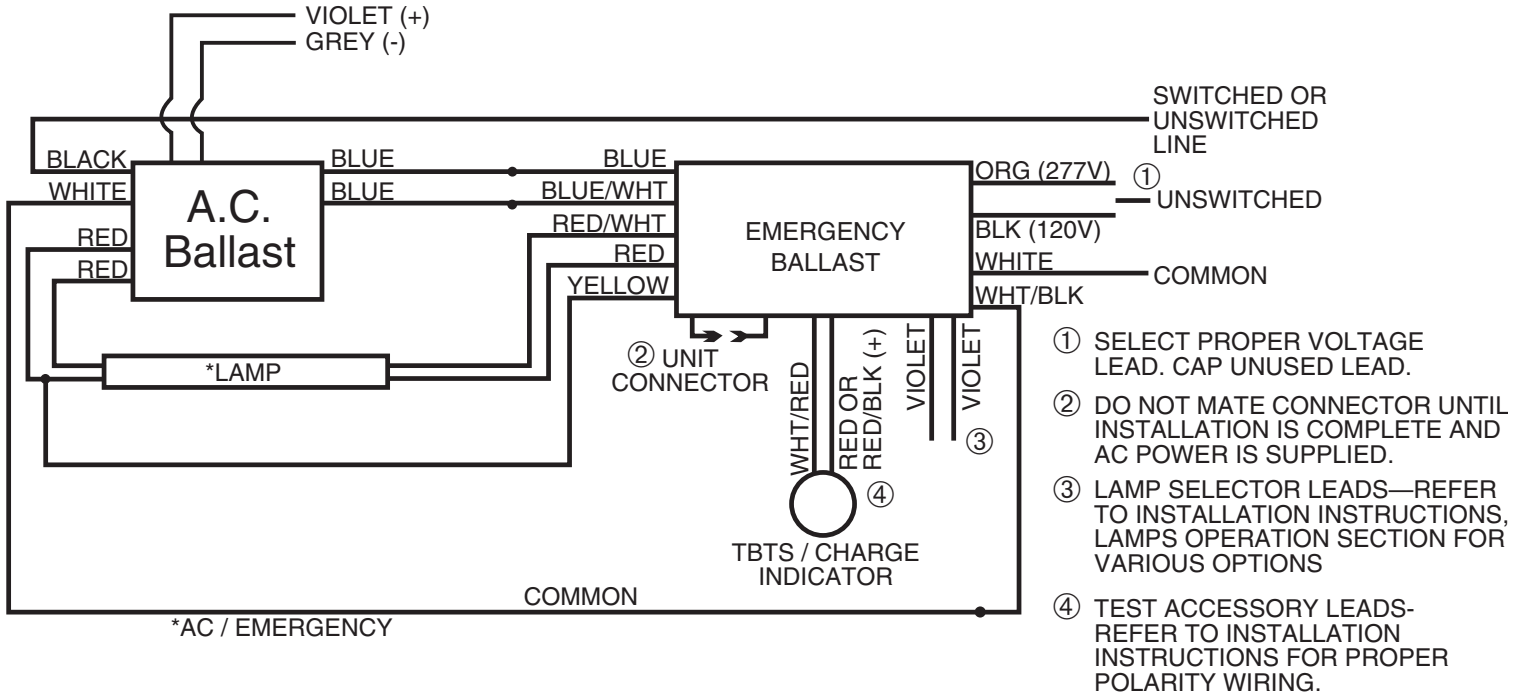
## ONE LAMP INSTANT START BALLAST



1LISB\_D

### NOTES

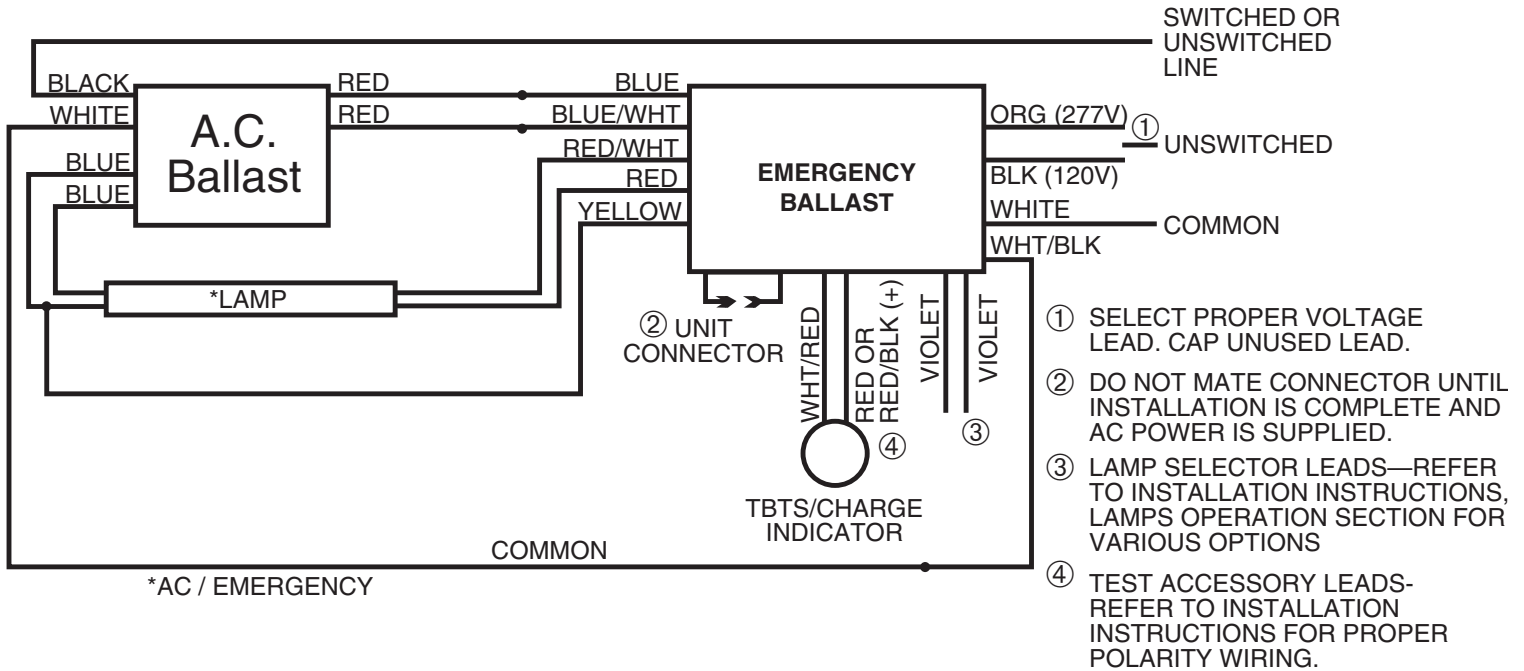
## ONE LAMP RAPID START BALLAST FOR USE WITH OSRAM/DIMMING



1LRSB\_D

### NOTES

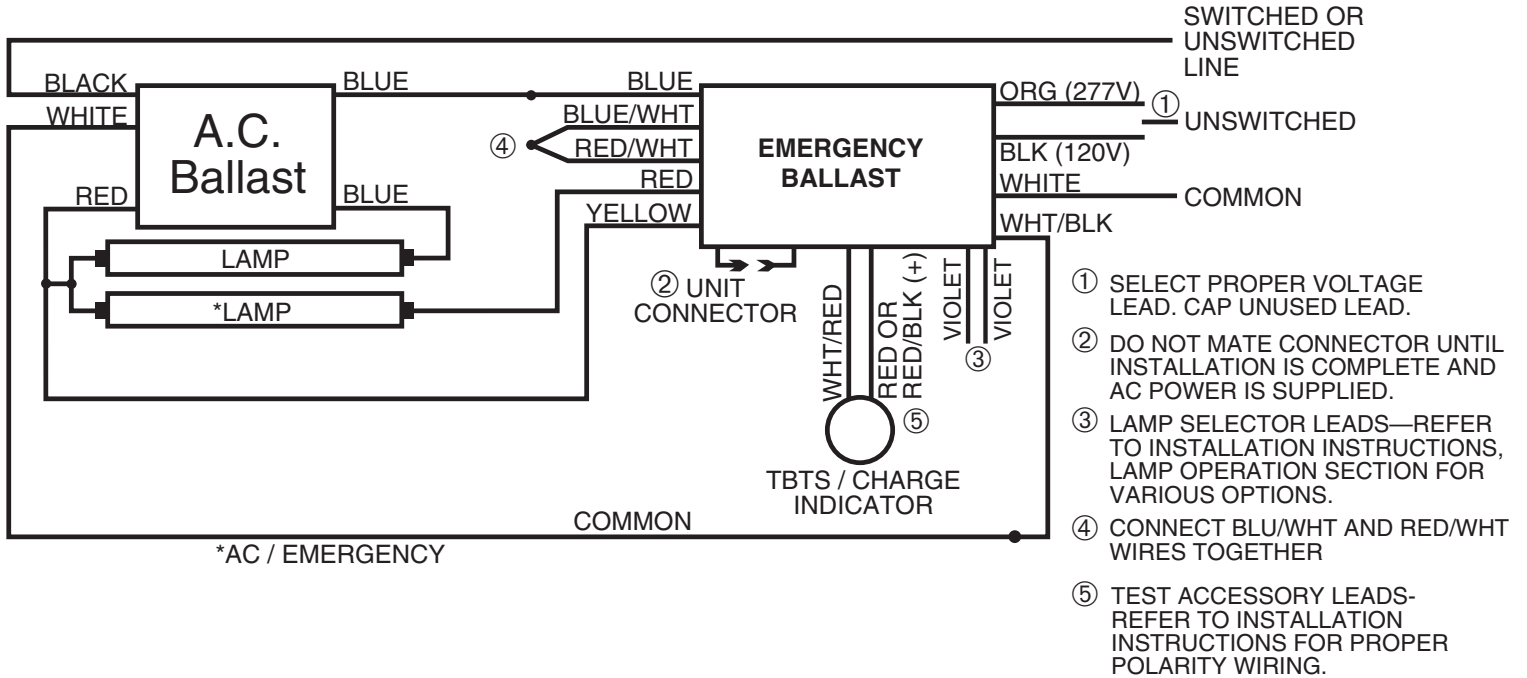
## ONE LAMP RAPID START BALLAST



1LRSB\_D\_2

### NOTES

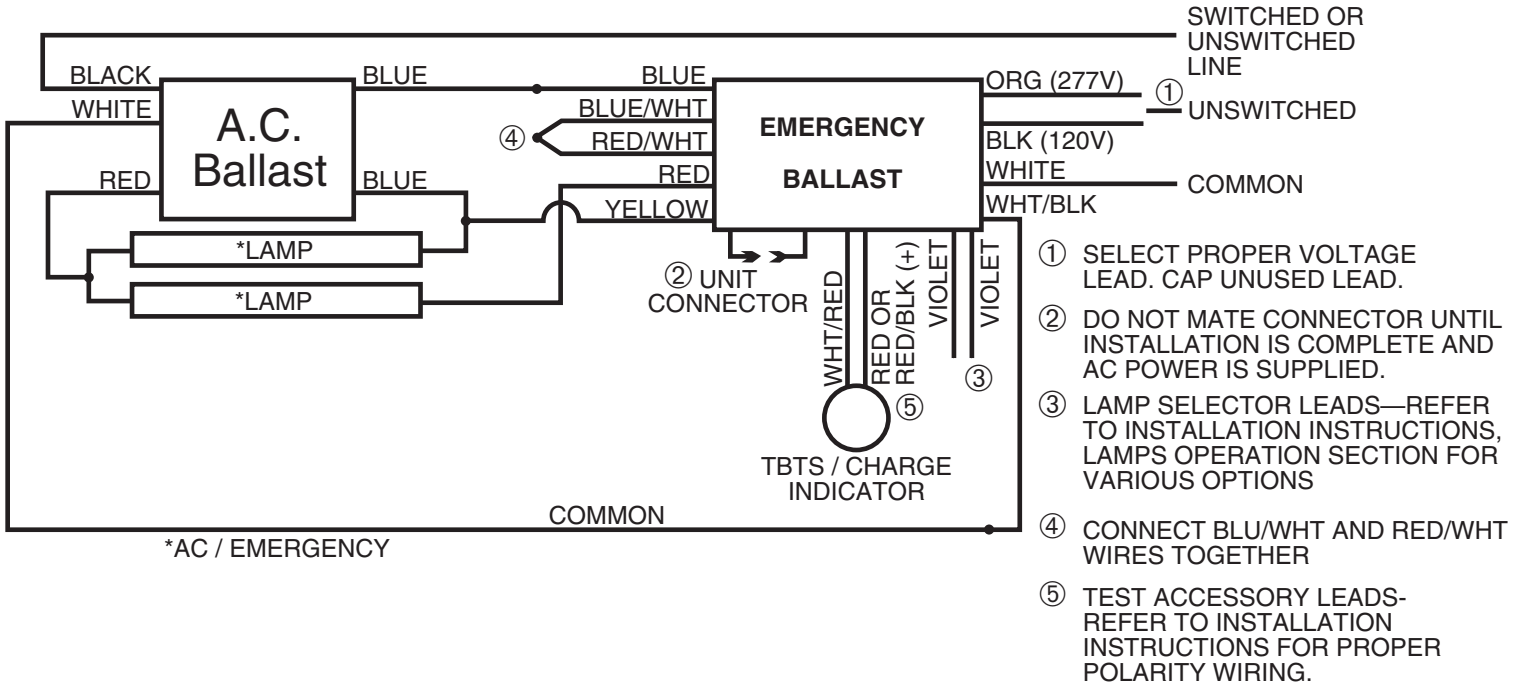
## TWO LAMP INSTANT START BALLAST



2LISB\_2\_D

### NOTES

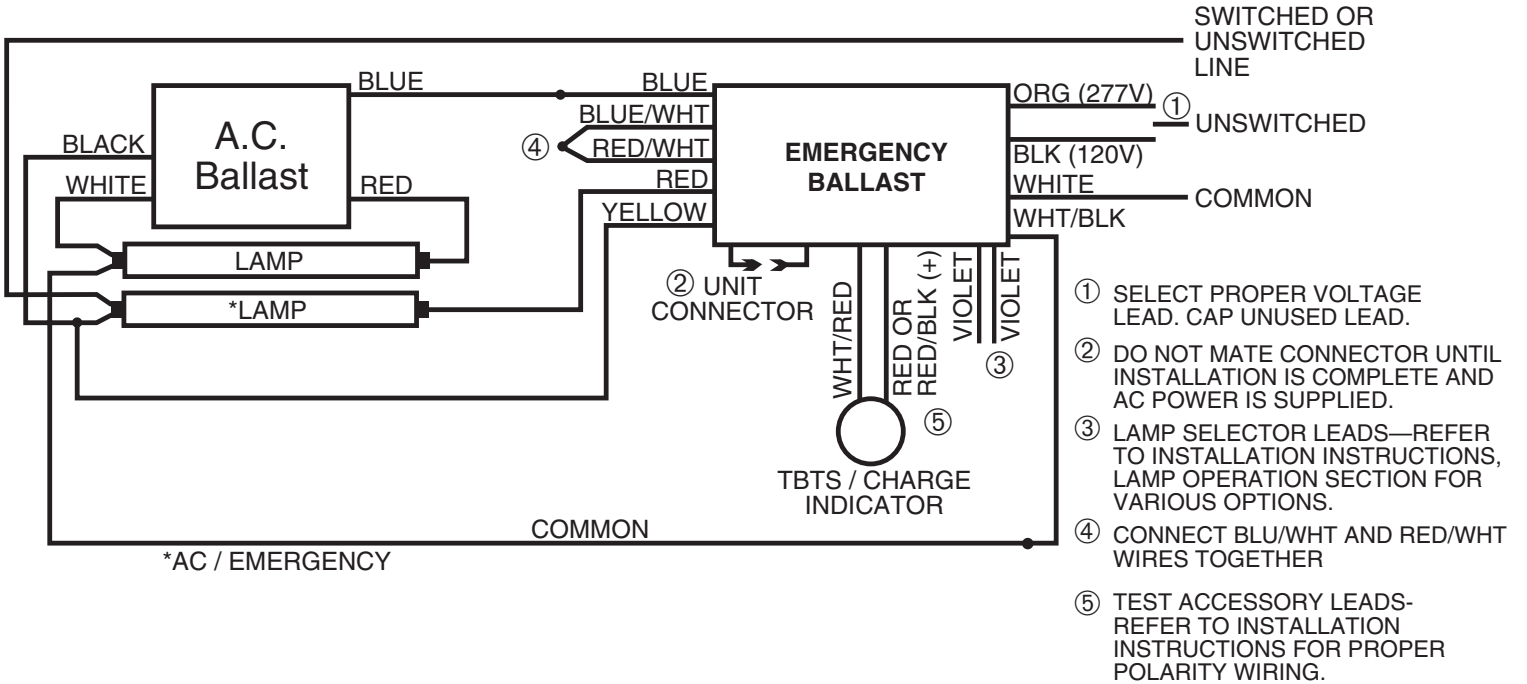
## TWO LAMP INSTANT START BALLAST WITH TWO LAMP EMERGENCY OPERATION



2LISB\_2LEO\_80\_D

### NOTES

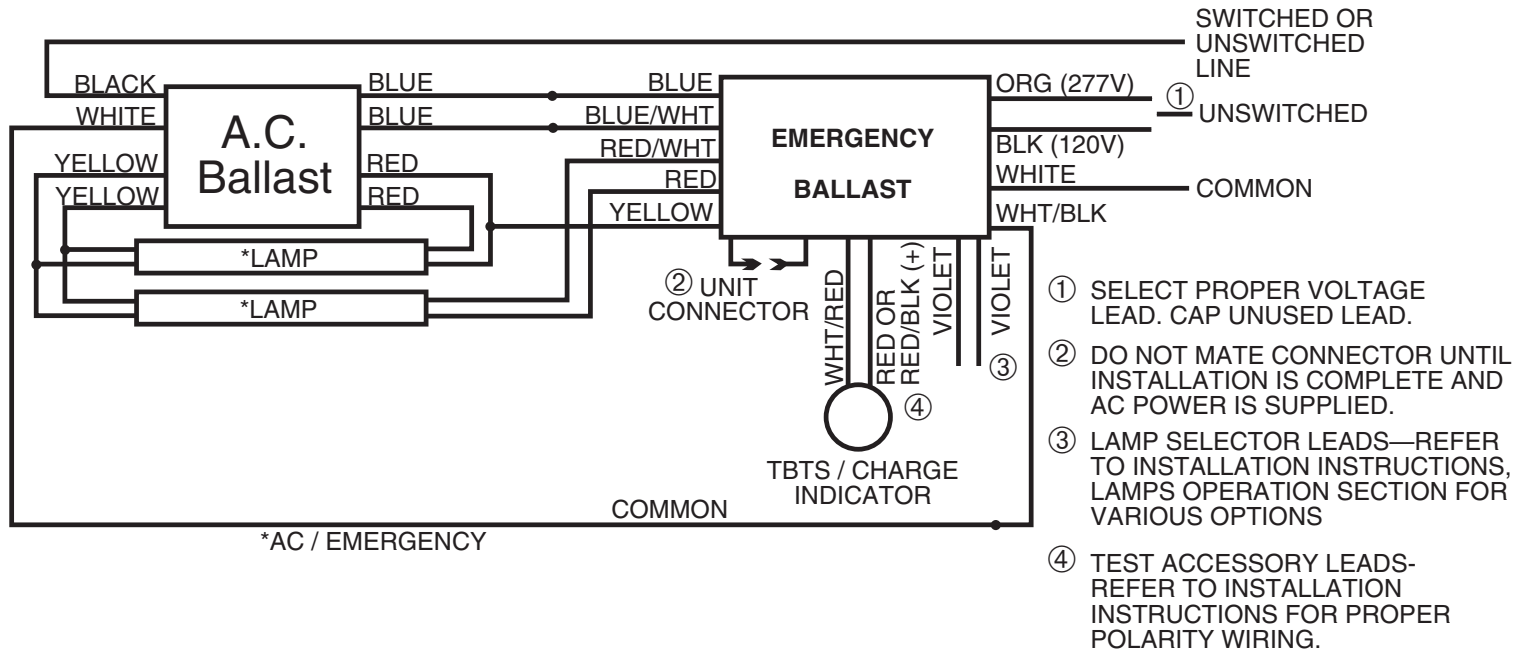
## TWO LAMP INSTANT START BALLAST



2LISB\_D

### NOTES

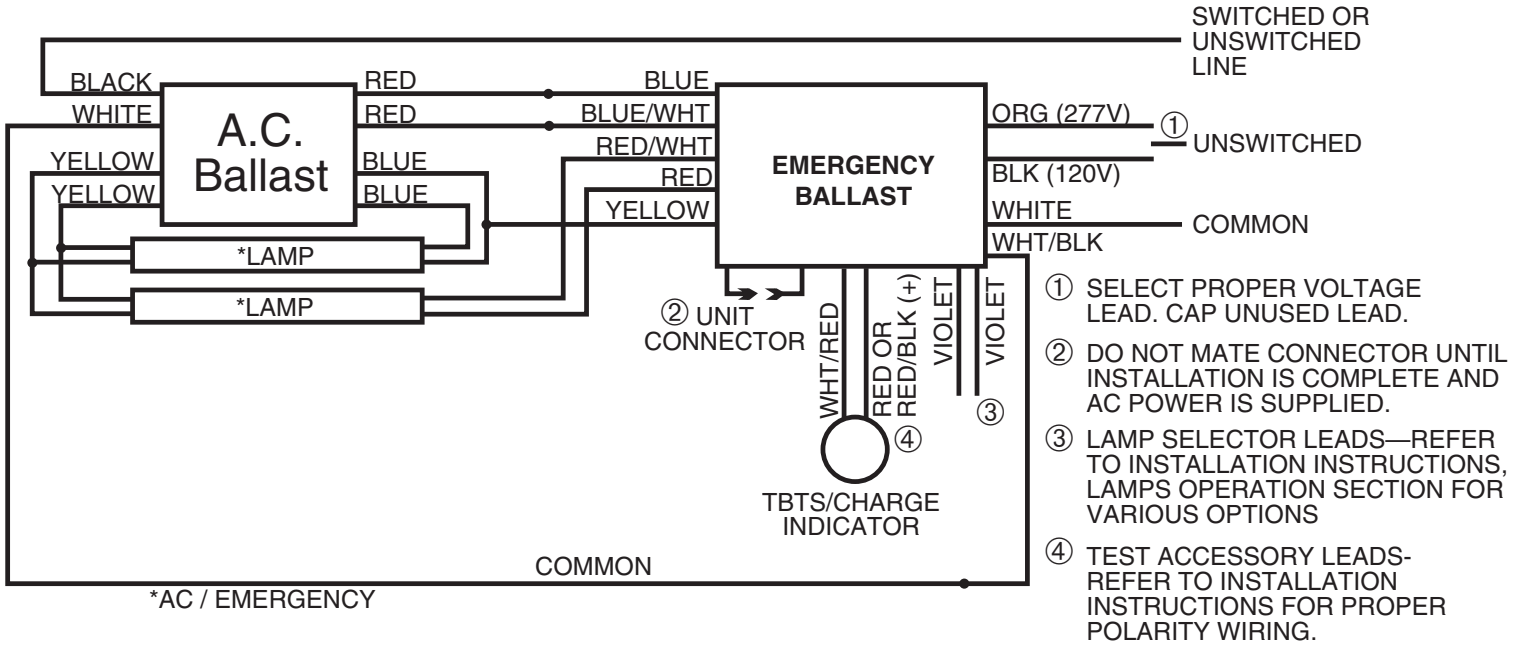
## TWO LAMP RAPID START BALLAST WITH TWO LAMP EMERGENCY OPERATION



2LRSB\_2LEO\_80\_D

### NOTES

## TWO LAMP RAPID START BALLAST WITH TWO LAMP EMERGENCY OPERATION

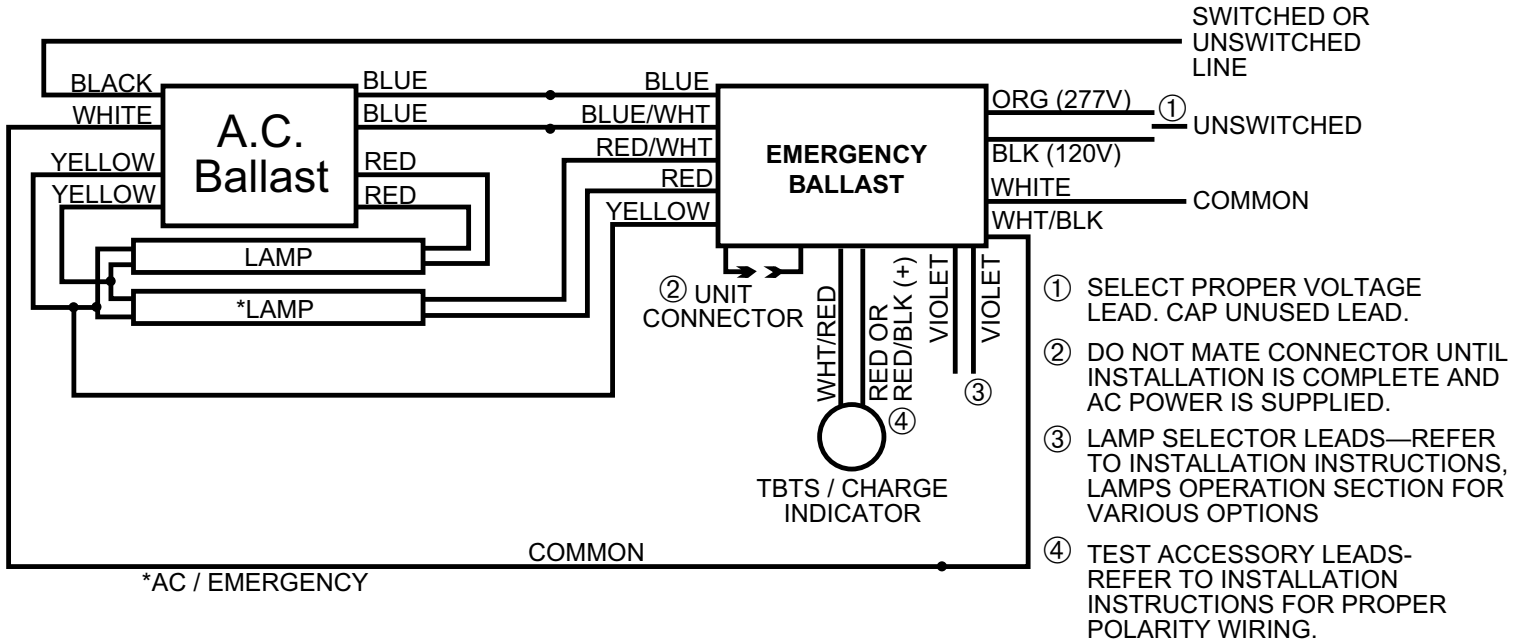


2LRSB\_2LEO\_D\_2

### NOTES



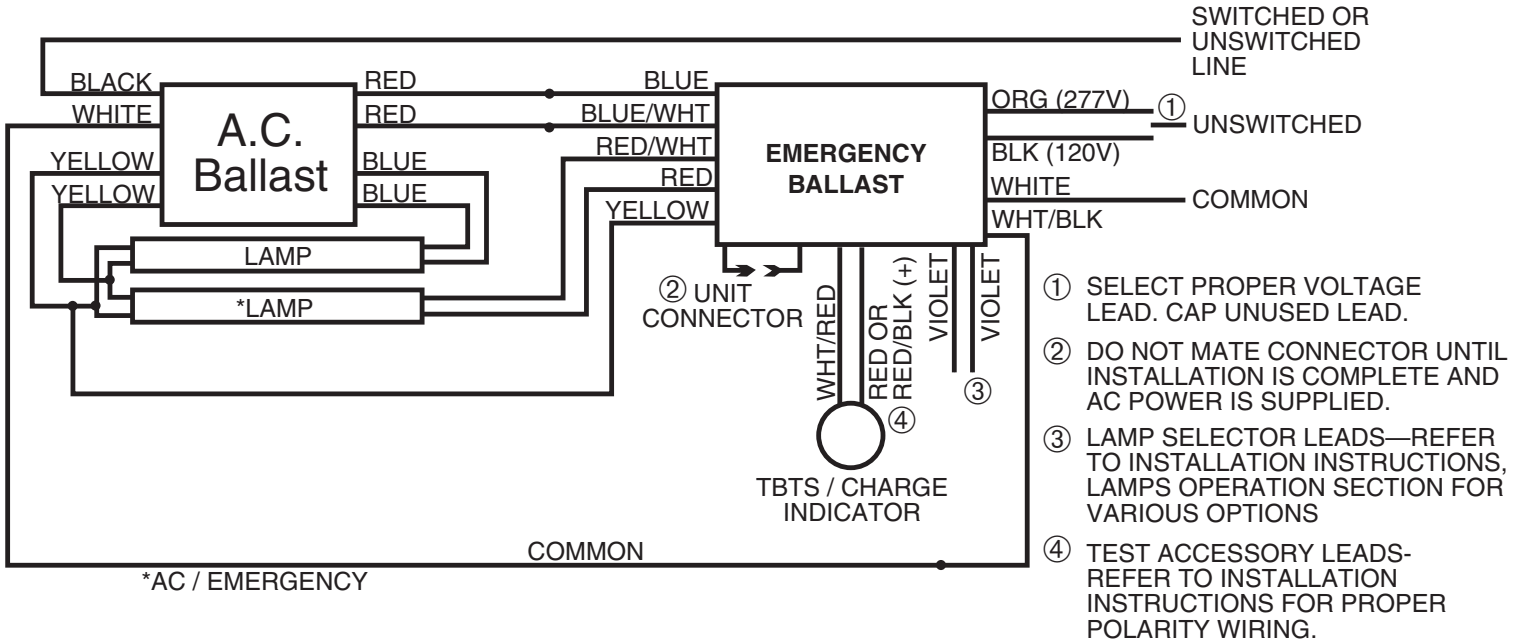
## TWO LAMP RAPID START BALLAST



2LRSB\_D

### NOTES

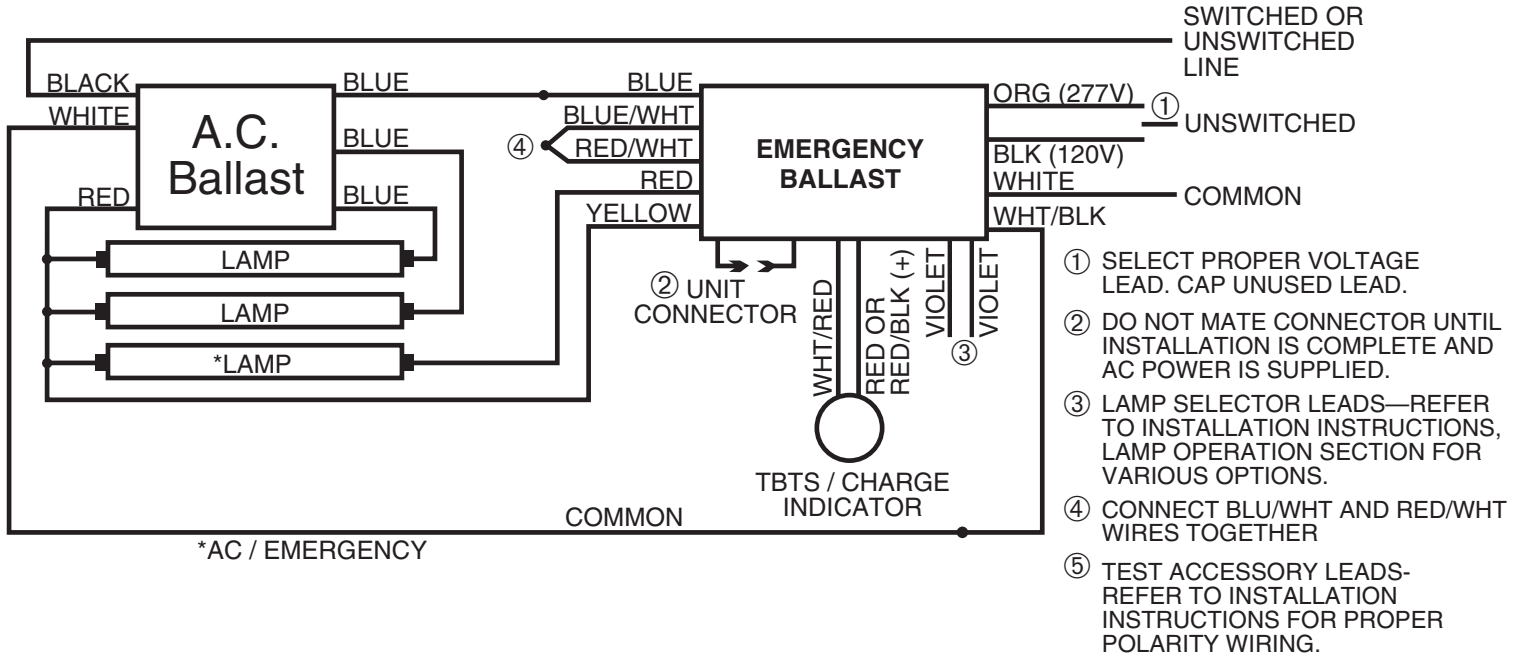
## TWO LAMP RAPID START BALLAST



2LRSB\_D\_2

### NOTES

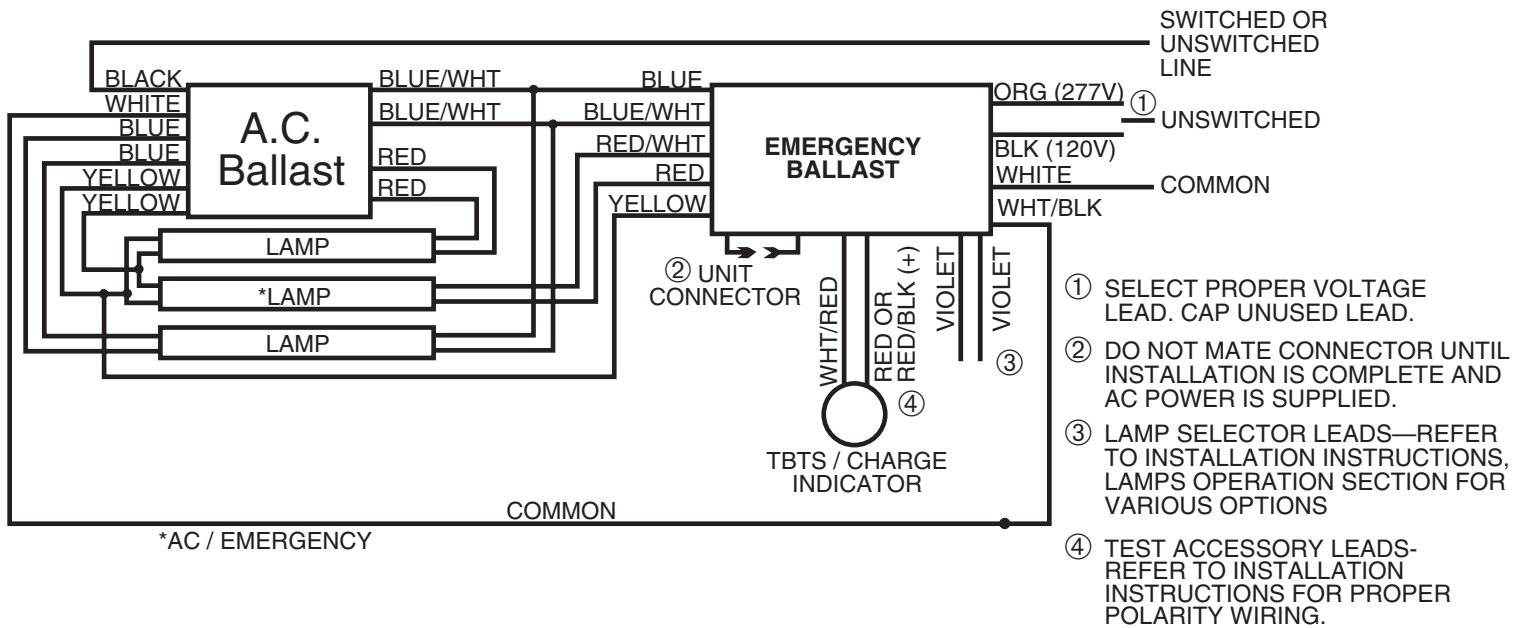
## THREE LAMP INSTANT START BALLAST



3LISB\_D

### NOTES

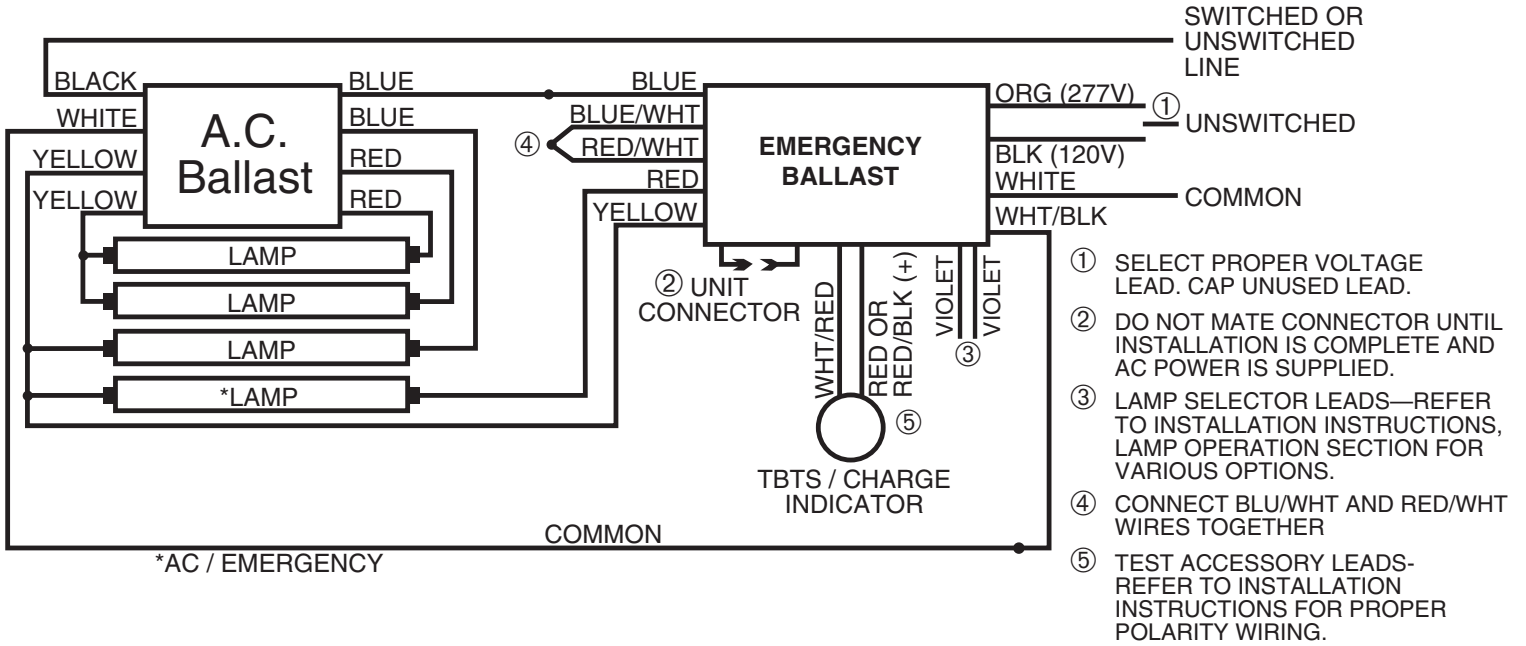
## THREE LAMP RAPID START BALLAST



3LRSB\_D

### NOTES

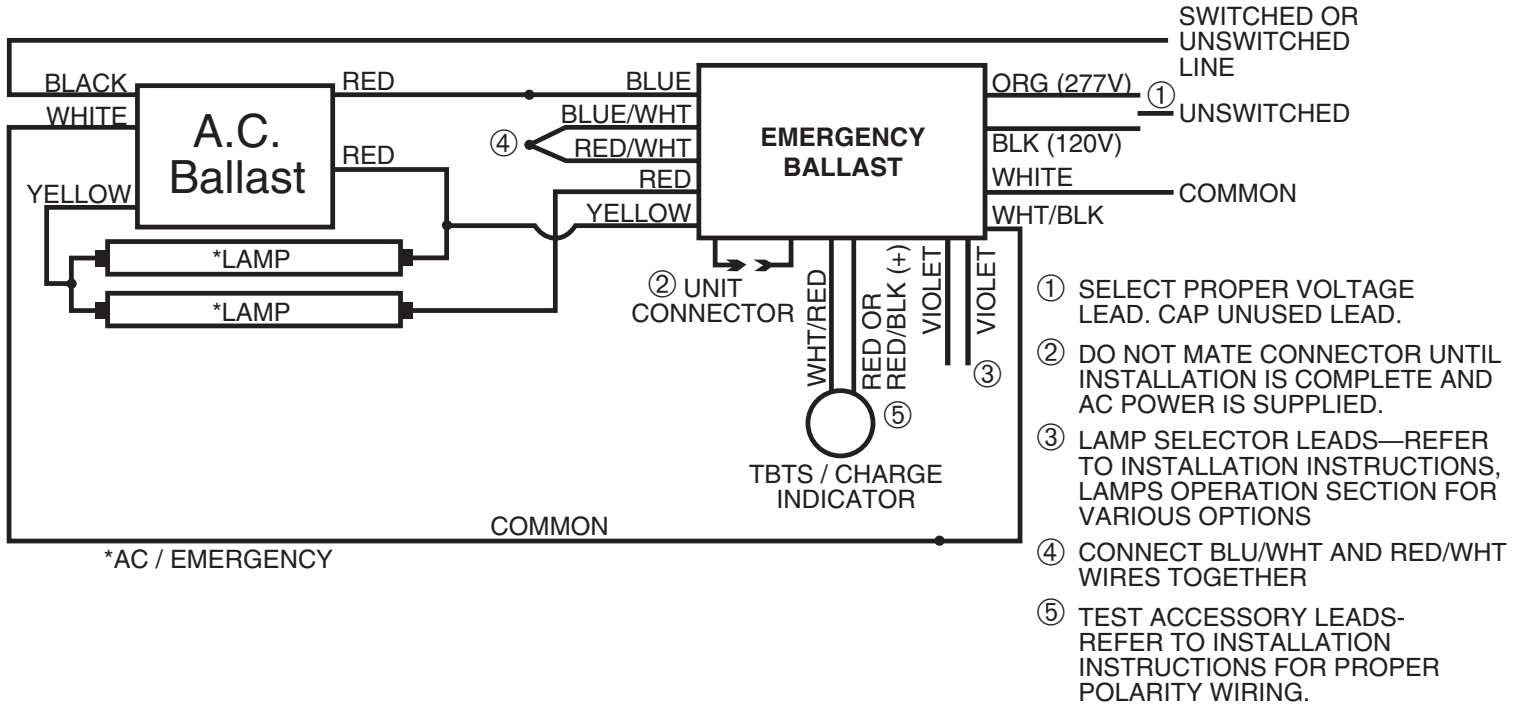
## FOUR LAMP INSTANT START BALLAST



4LISB\_D

### NOTES

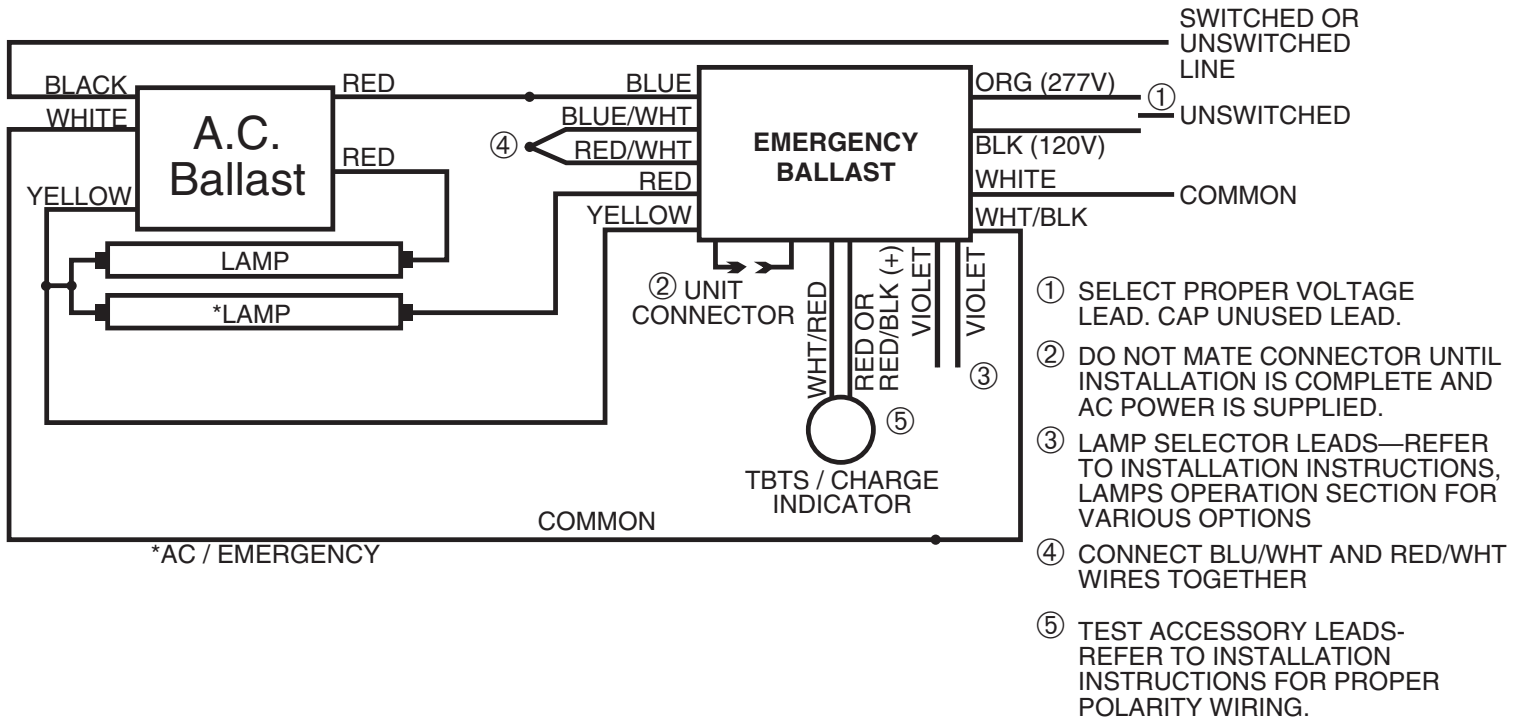
## TWO LAMP INSTANT START BALLAST TWO LAMP EMERGENCY OPERATION



2LISFB2\_80D\_2LEO

### NOTES

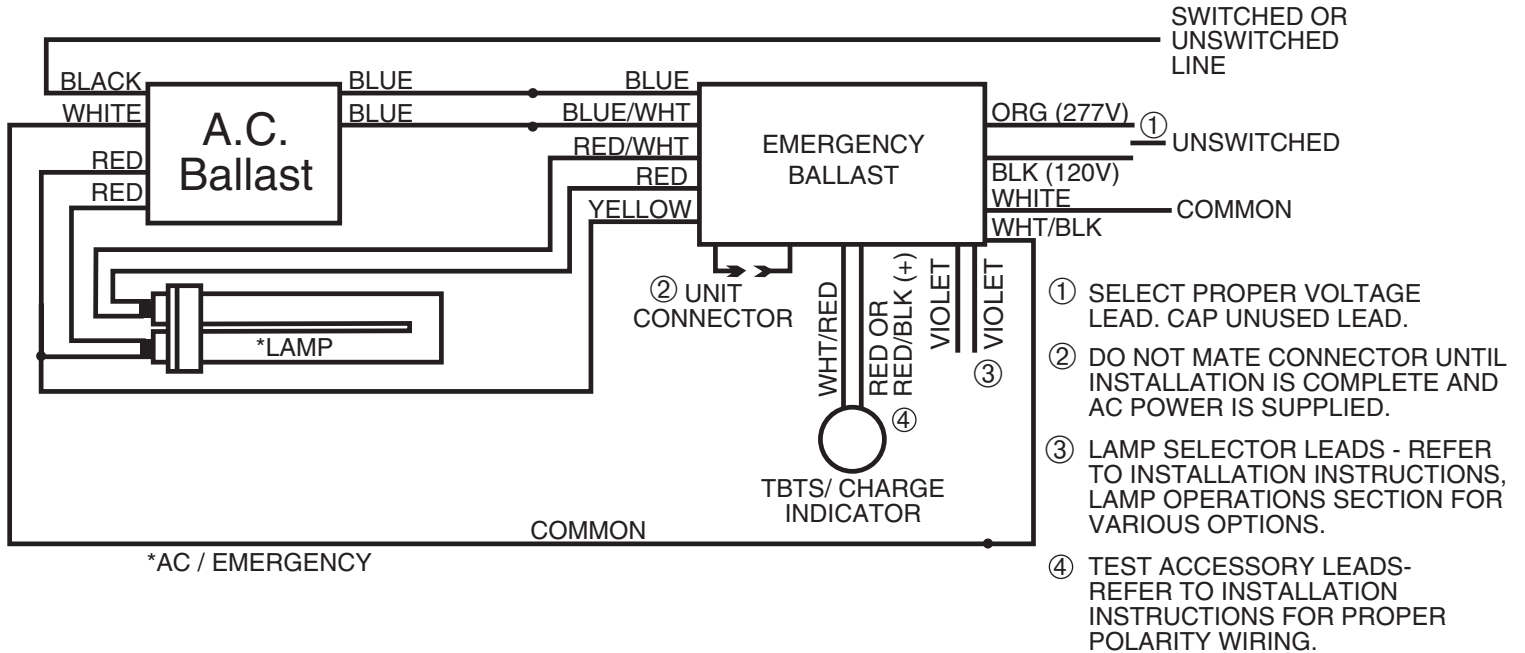
## TWO LAMP INSTANT START BALLAST



2LISFB2\_80D

### NOTES

## ONE BIAx LAMP RAPID START BALLAST

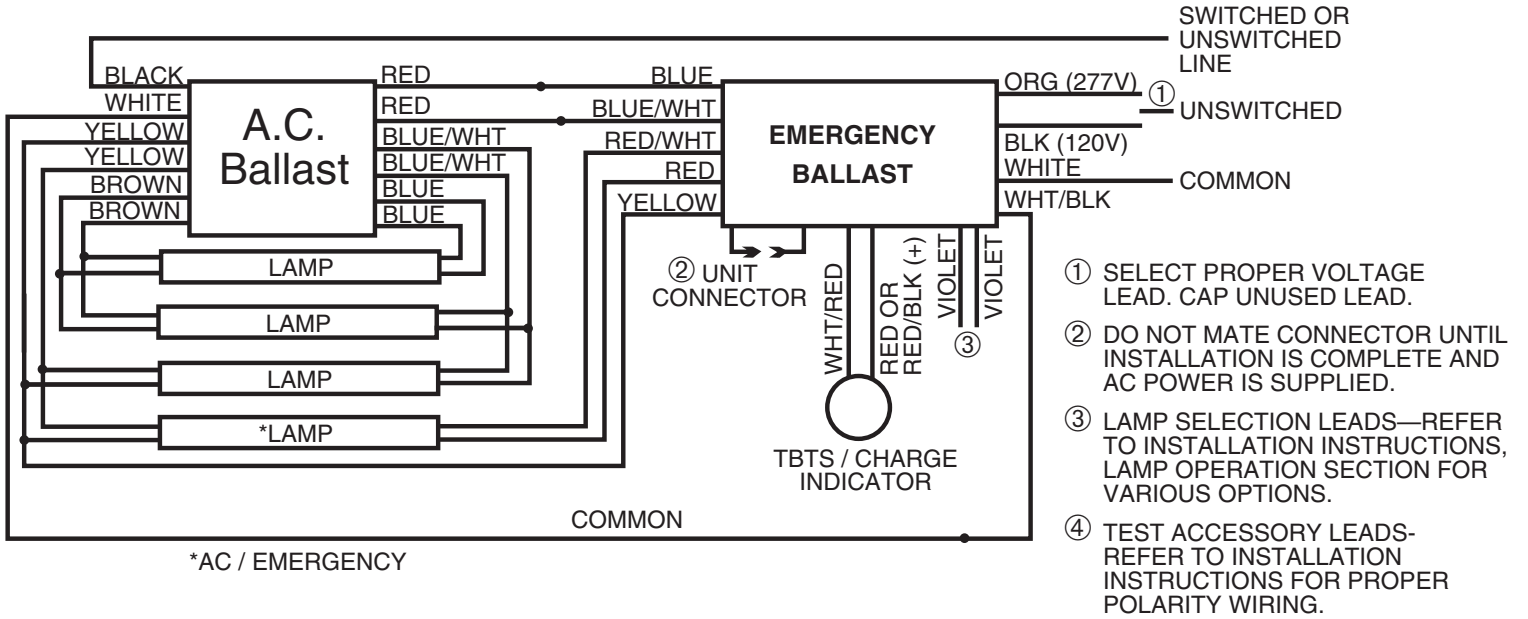


1BXLRSB\_80\_D

### NOTES



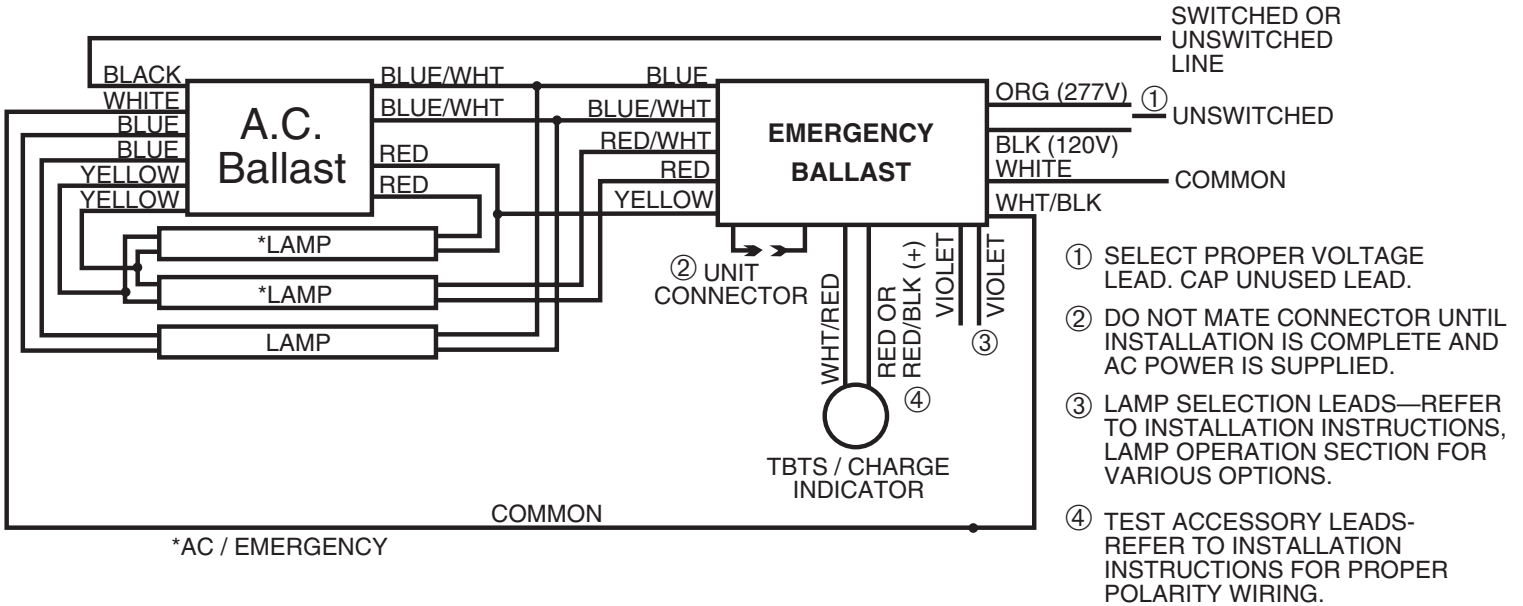
## FOUR LAMP RAPID START BALLAST



4LR5B\_D

### NOTES

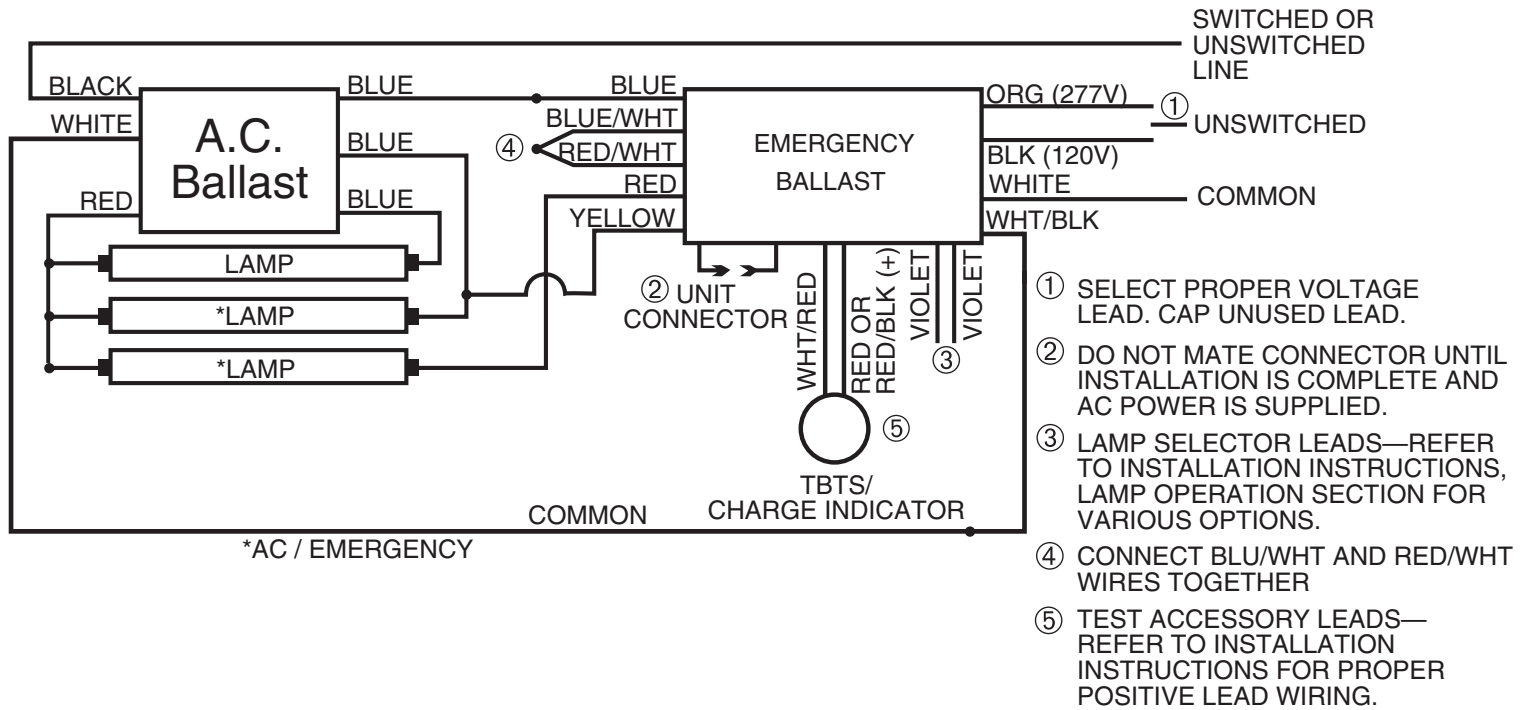
## THREE LAMP RAPID START BALLAST WITH TWO LAMP EMERGENCY OPERATION



3LRSB\_2LEO\_80\_D

### NOTES

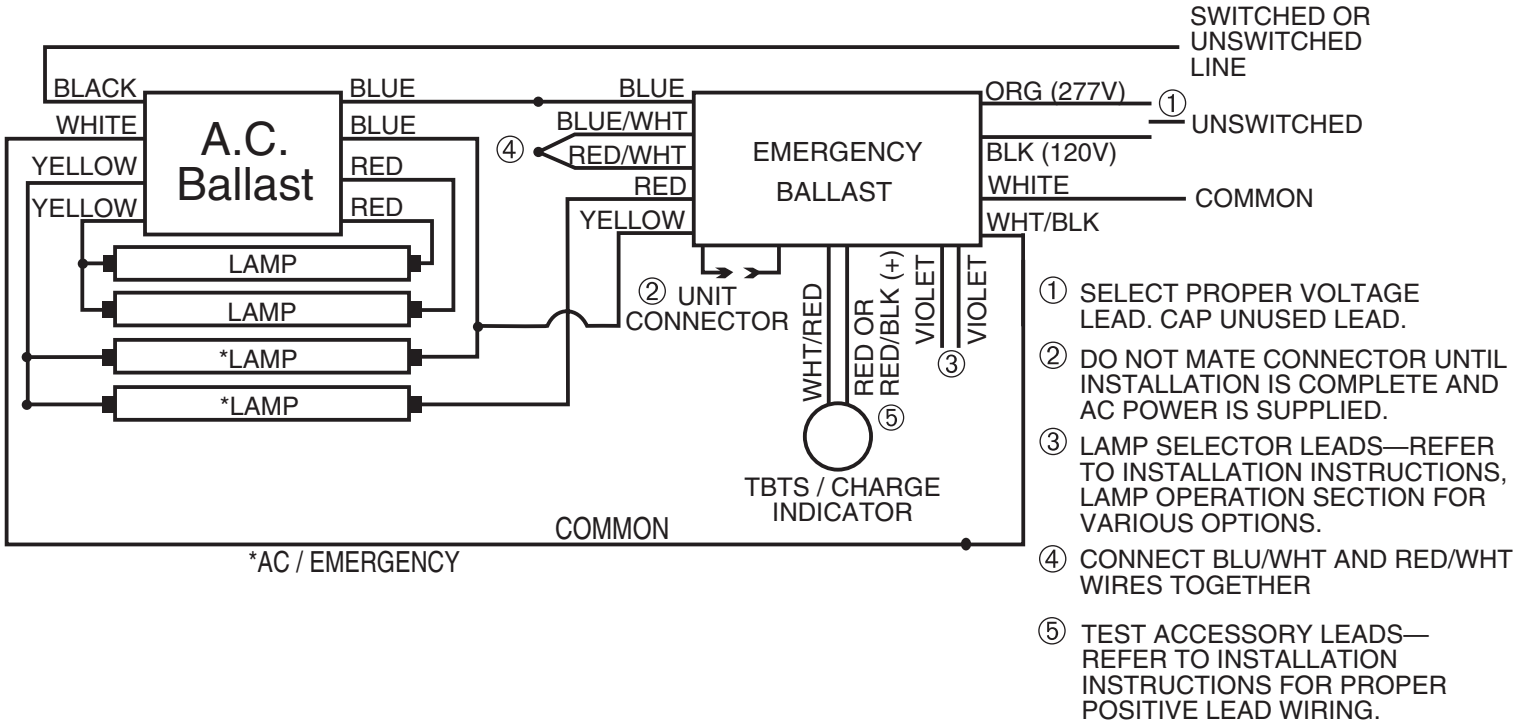
## THREE LAMP INSTANT START BALLAST WITH TWO LAMP EMERGENCY OPERATION



3LISB\_2LEO\_D

### NOTES

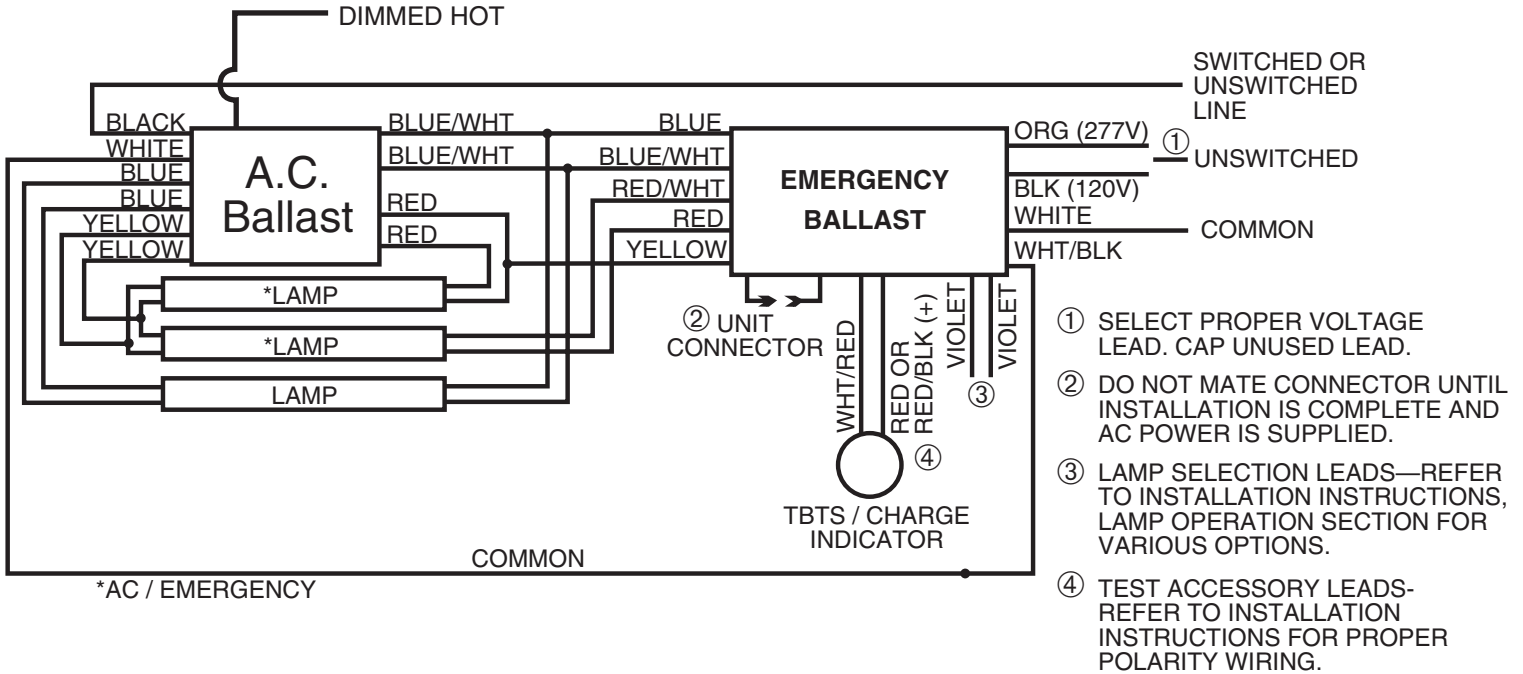
## FOUR LAMP INSTANT START BALLAST WITH TWO LAMP EMERGENCY OPERATION



4LIBS\_2LEO\_80D

### NOTES

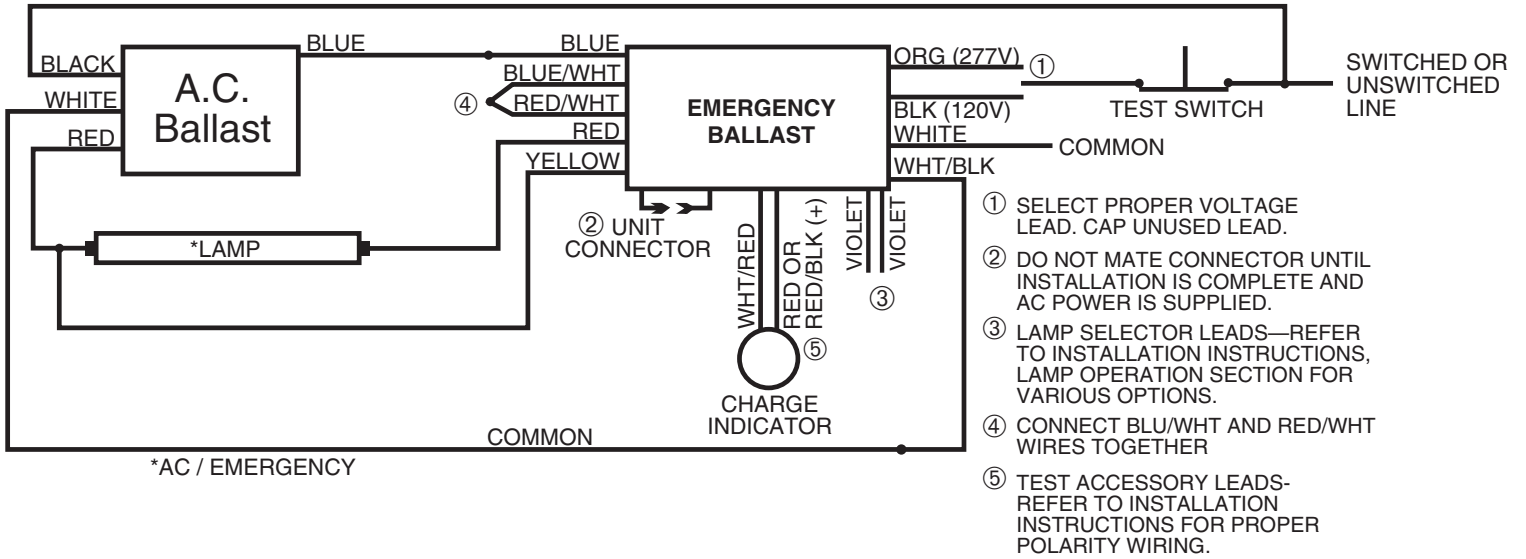
## THREE LAMP RAPID START BALLAST WITH DIMMING LEAD TWO LAMP EMERGENCY OPERATION



3LRSB\_DM\_2LEO\_80\_D

### NOTES

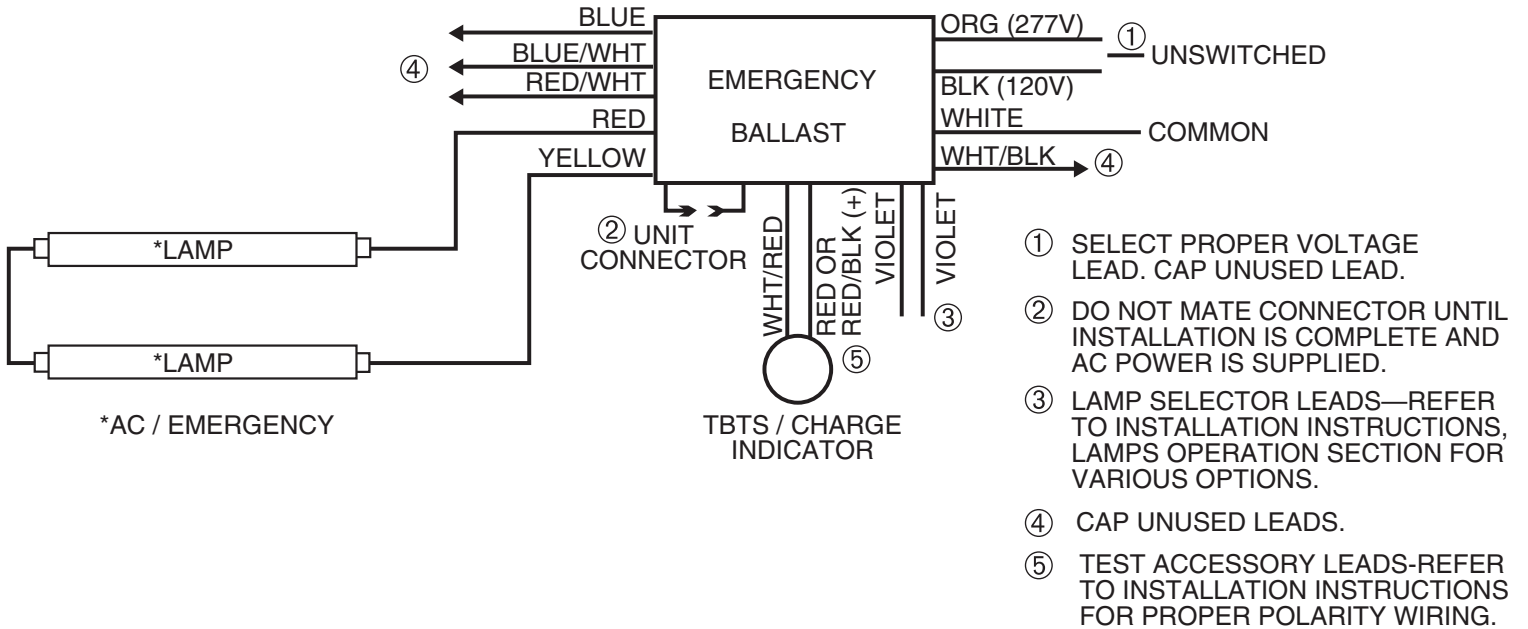
## ONE LAMP INSTANT START BALLAST WITH CHARGE INDICATOR AND TEST SWITCH



1LISB\_CI\_D

### NOTES

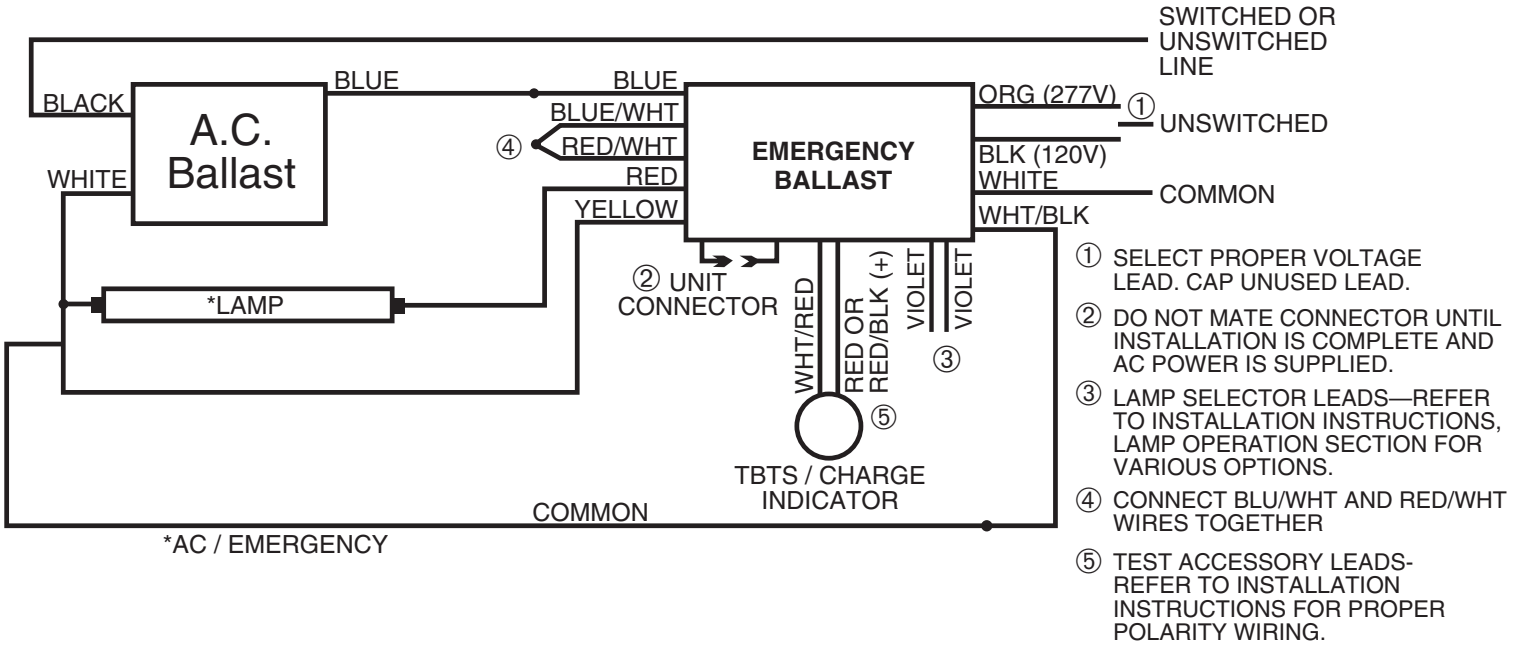
## TWO LAMP EMERGENCY ONLY



2LEO\_80\_D

### NOTES

## ONE LAMP INSTANT START BALLAST

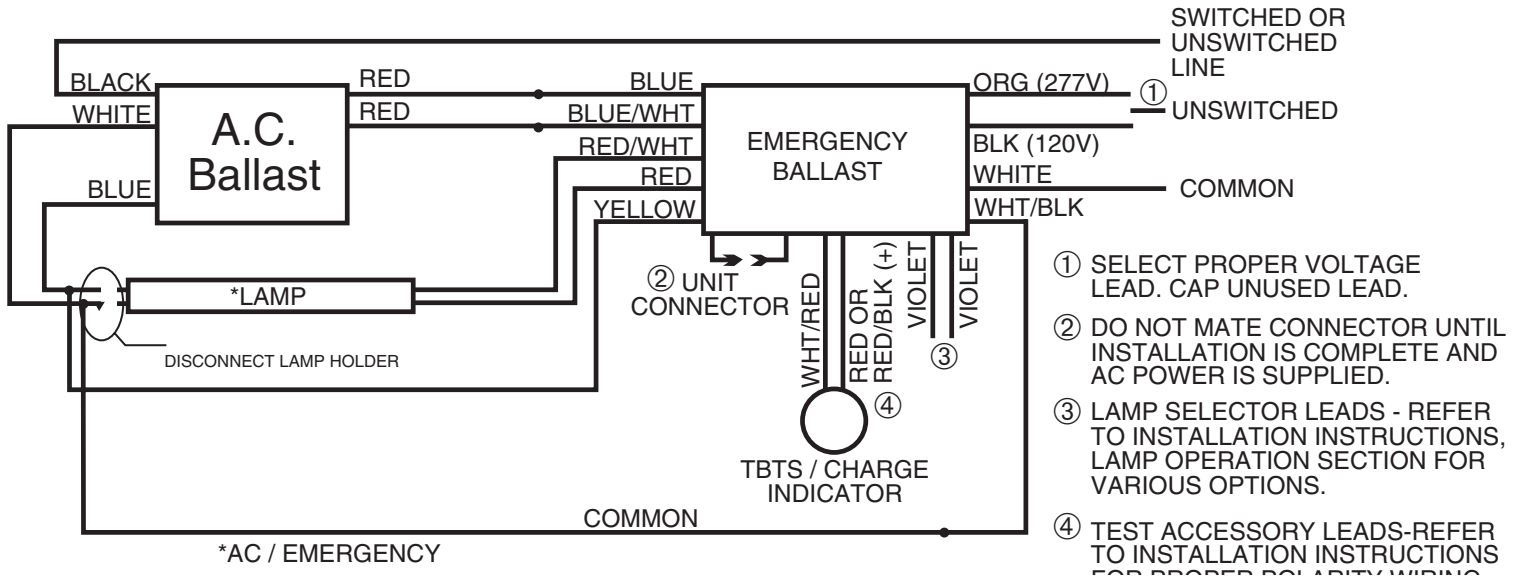


1LISB\_D\_2

### NOTES



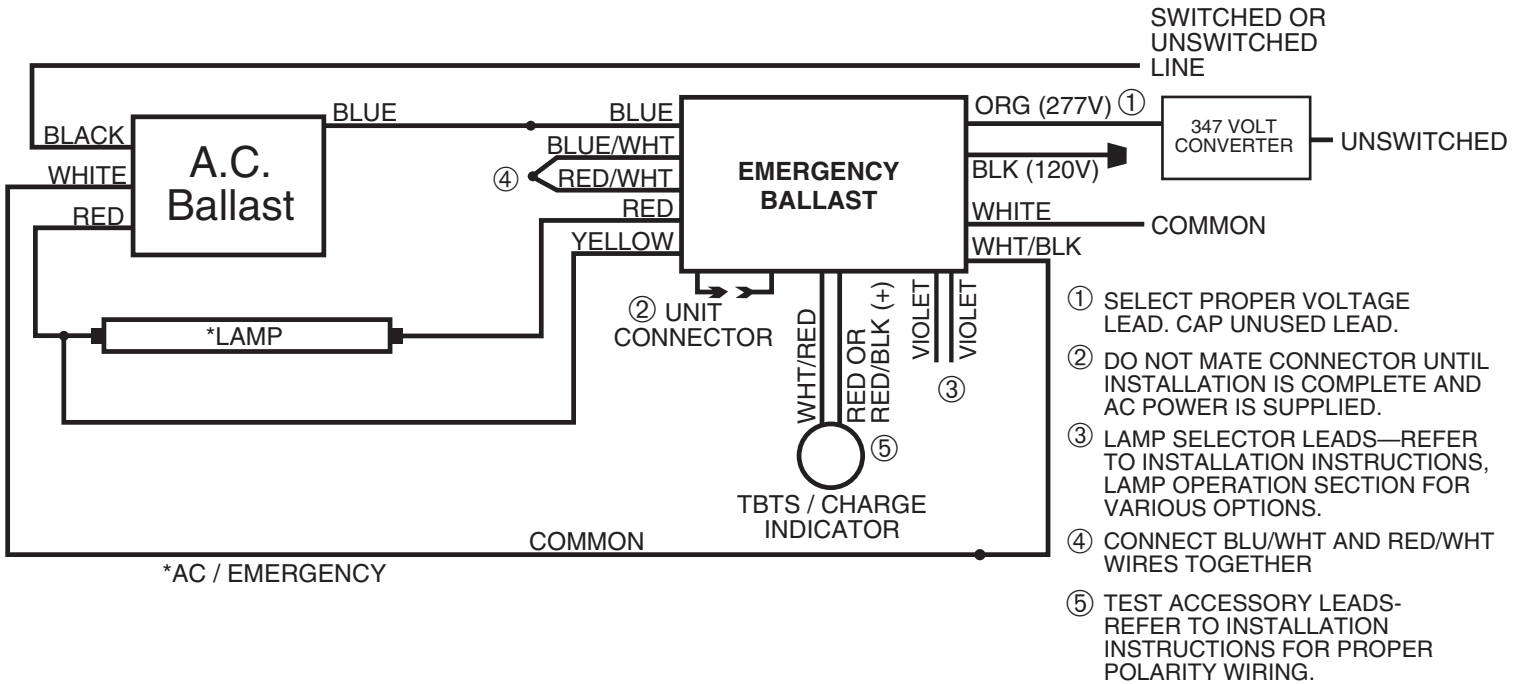
## ONE LAMP LAG BALLAST



1LLAG\_D

### NOTES

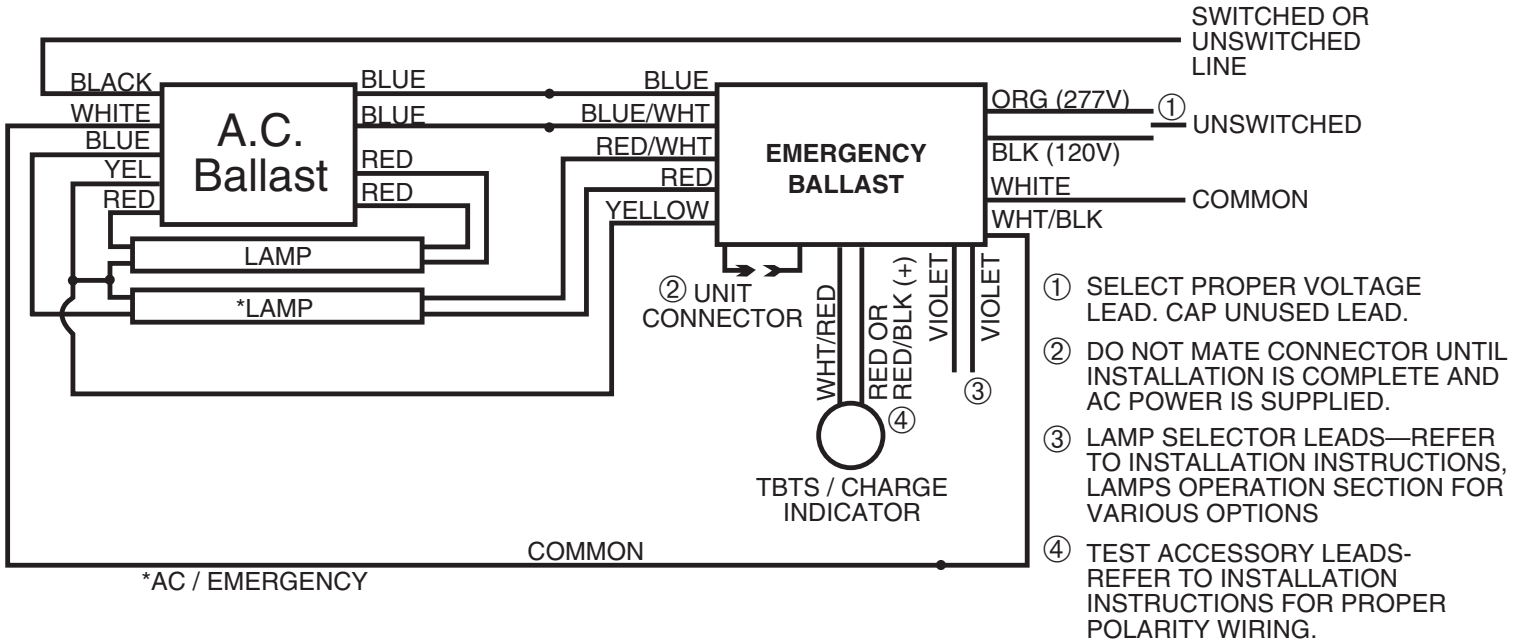
## ONE LAMP INSTANT START BALLAST WITH 347V CONVERTER



1LISB\_347\_D

### NOTES

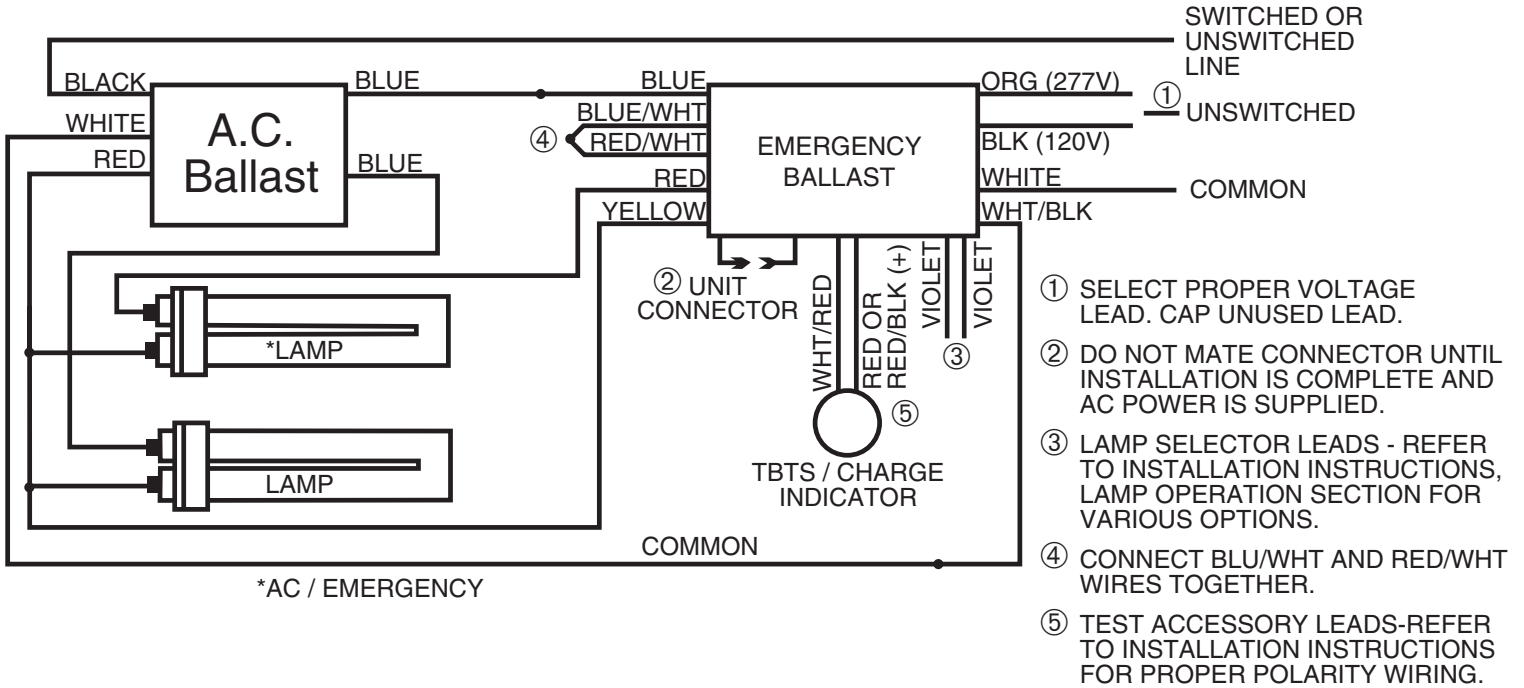
## TWO LAMP RAPID START BALLAST



2LRSB\_D\_3

### NOTES

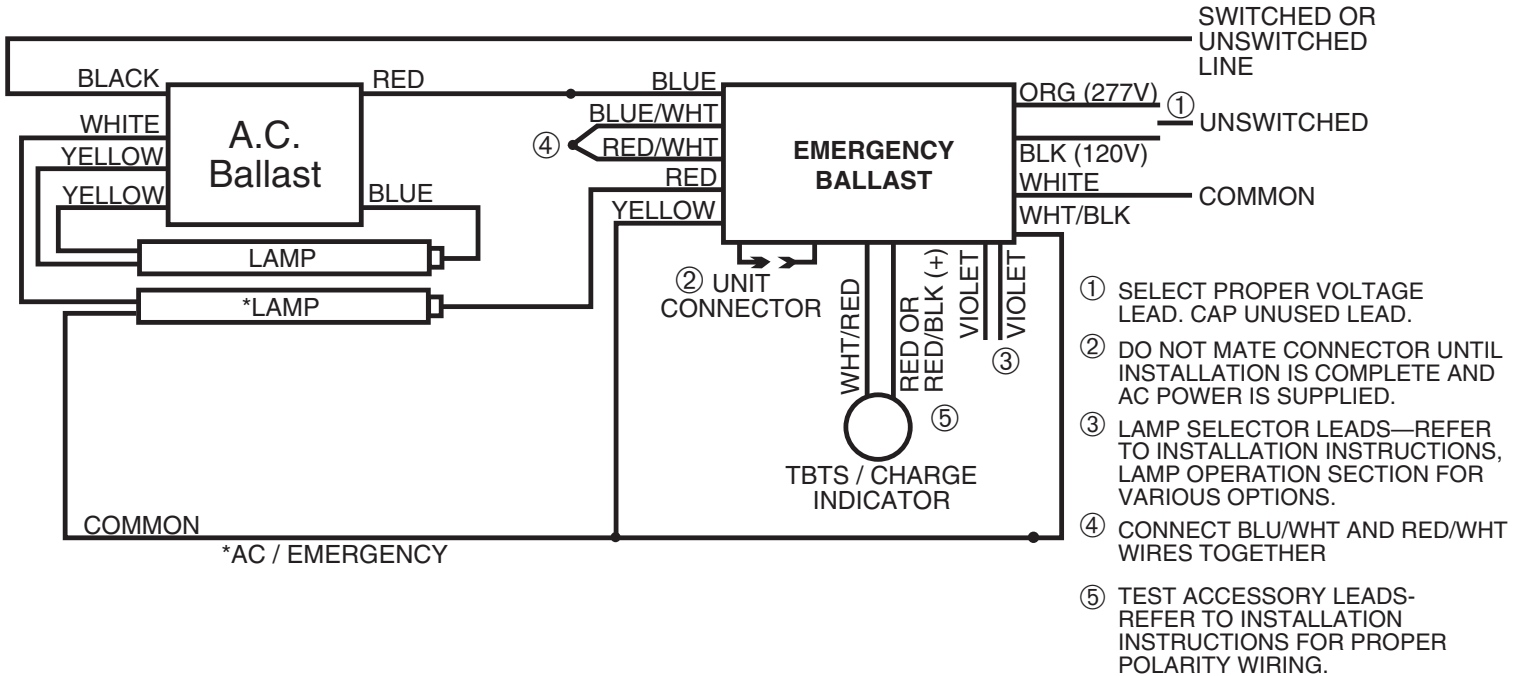
## TWO BIAx LAMP INSTANT START BALLAST



2LISBX\_D

### NOTES

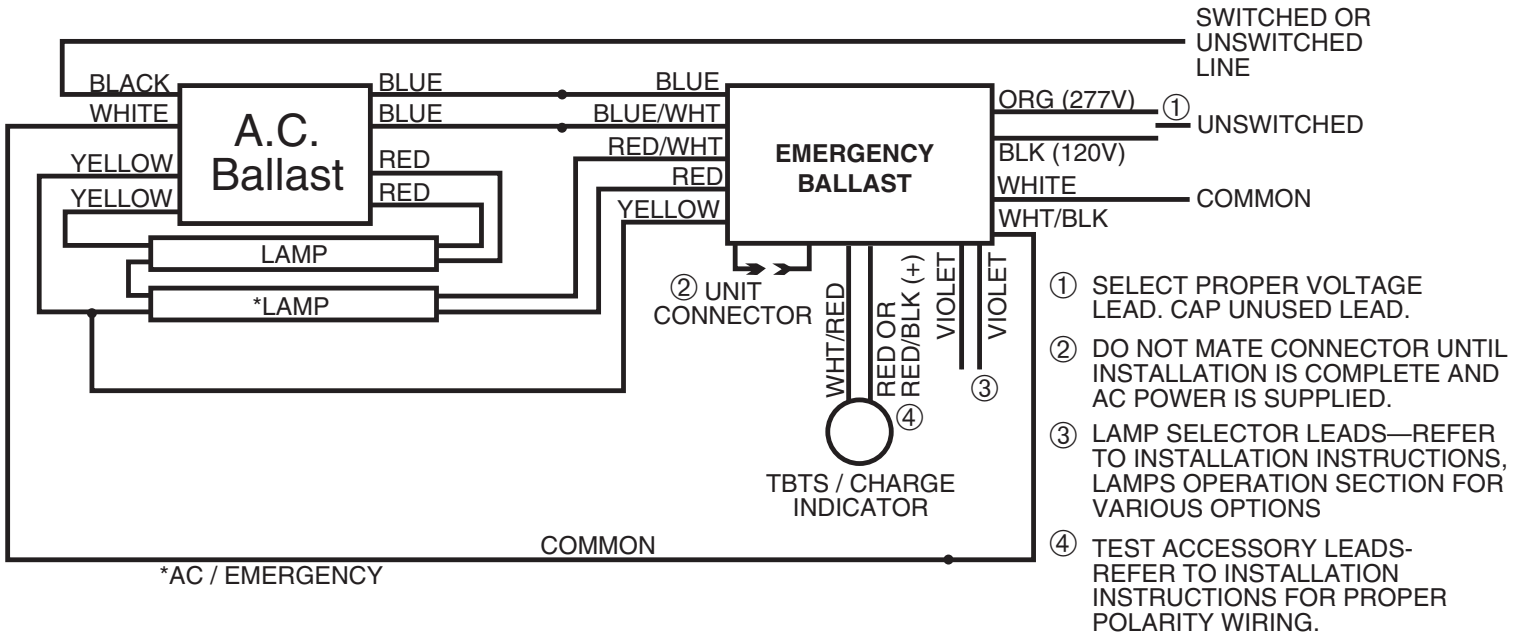
## TWO LAMP BALLAST



2LMB\_D

### NOTES

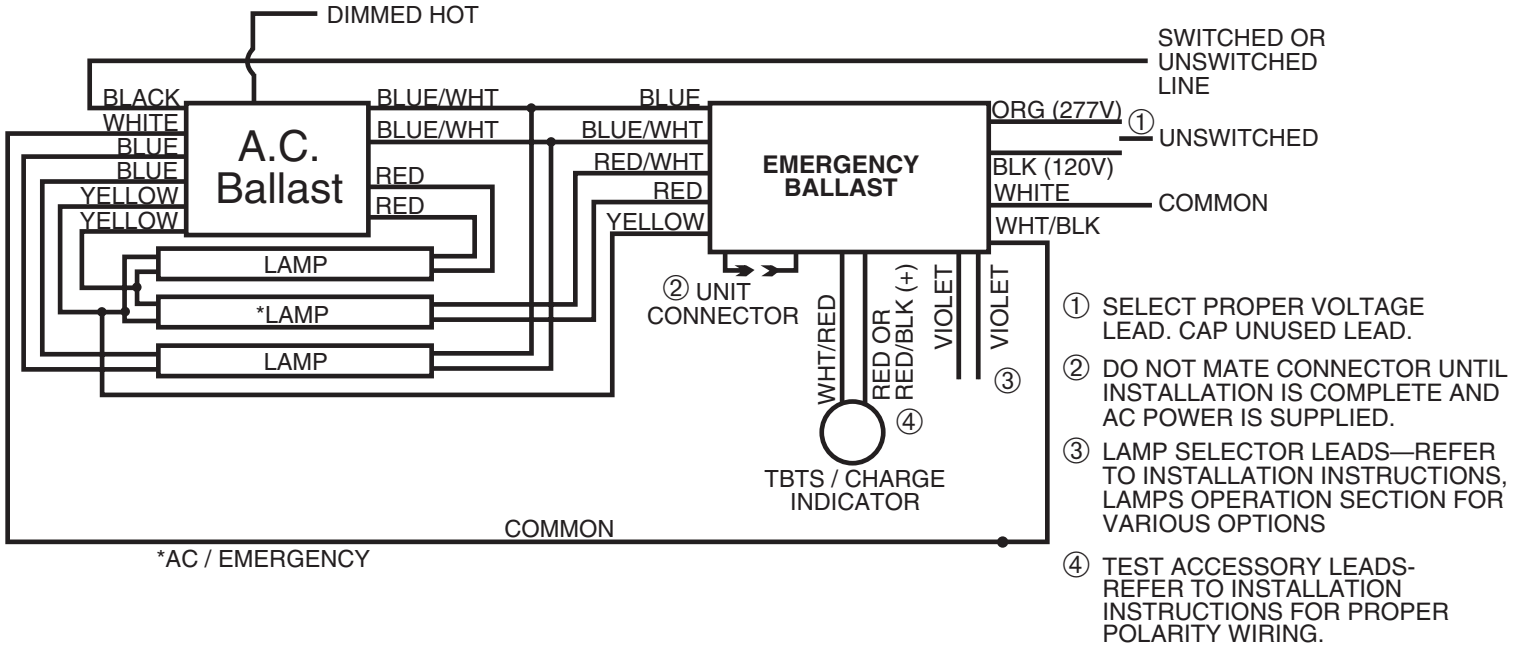
## TWO LAMP RAPID START BALLAST



2LRSB\_D\_4

### NOTES

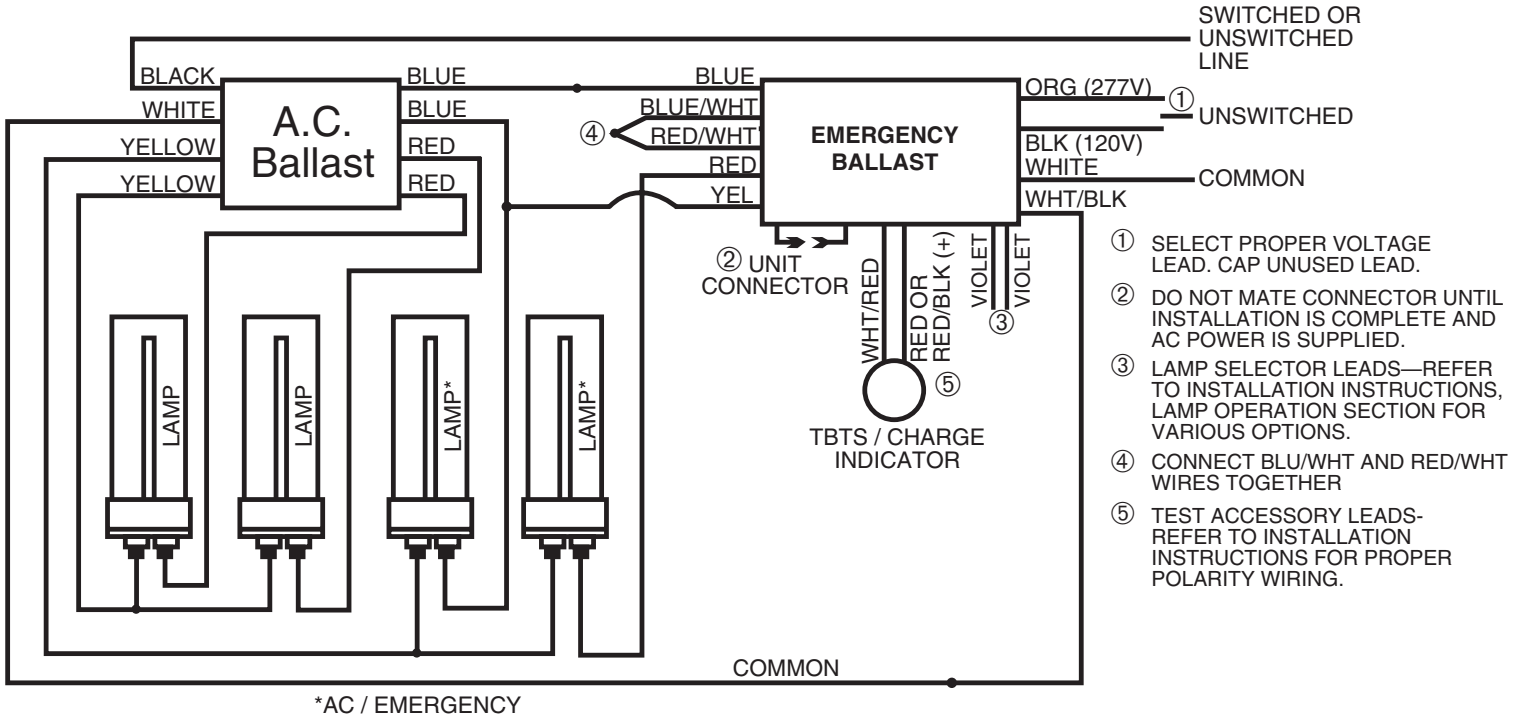
## THREE LAMP RAPID START BALLAST WITH DIMMING LEAD



3LRSBDL\_D

### NOTES

## FOUR U-BEND LAMP INSTANT START BALLAST WITH TWO LAMP EMERGENCY OPERATION

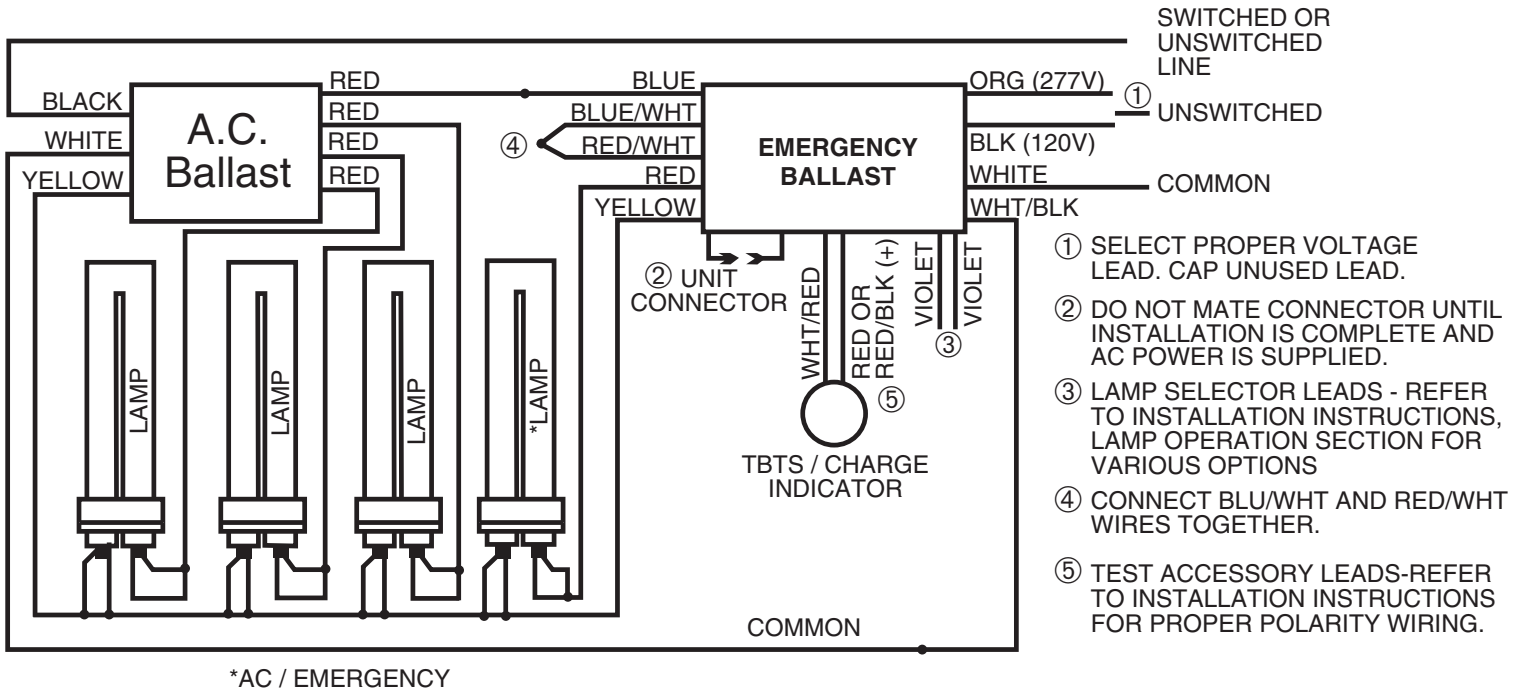


4ULISB\_2LEO\_D

### NOTES



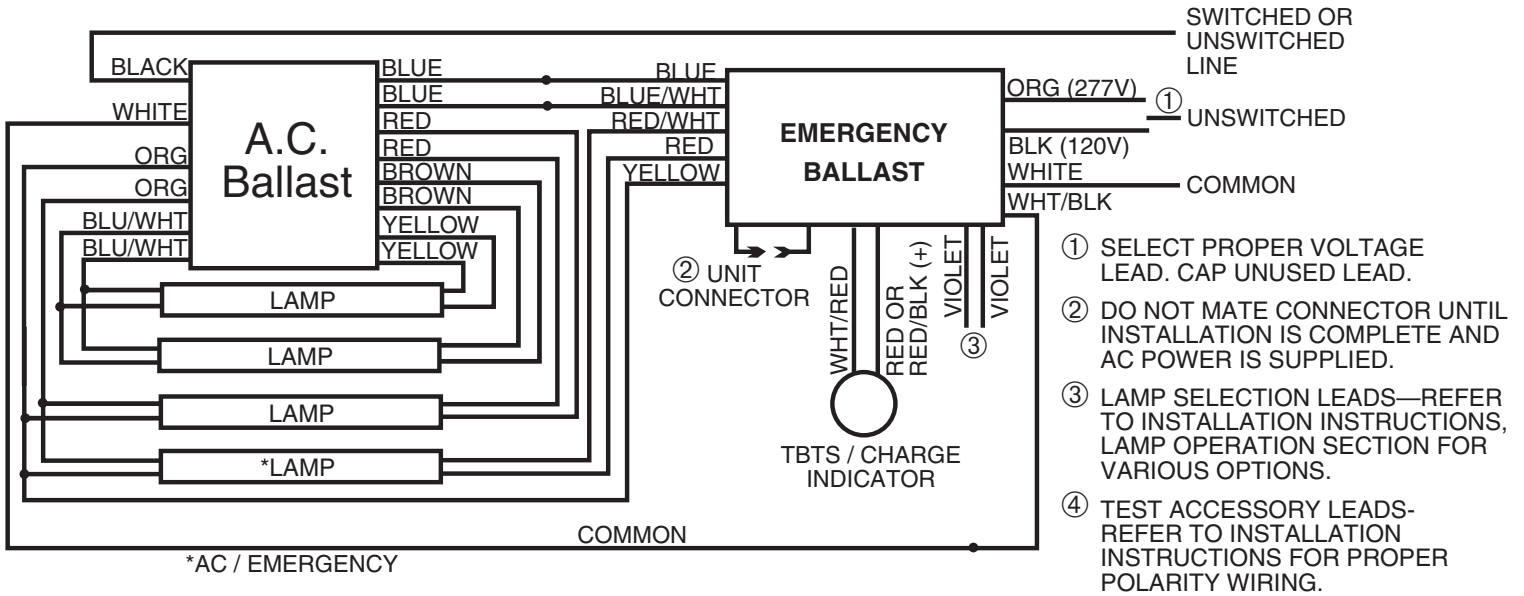
## FOUR LAMP BIAX FULLHAM WORKHORSE BALLAST



4LBFWB\_160

### NOTES

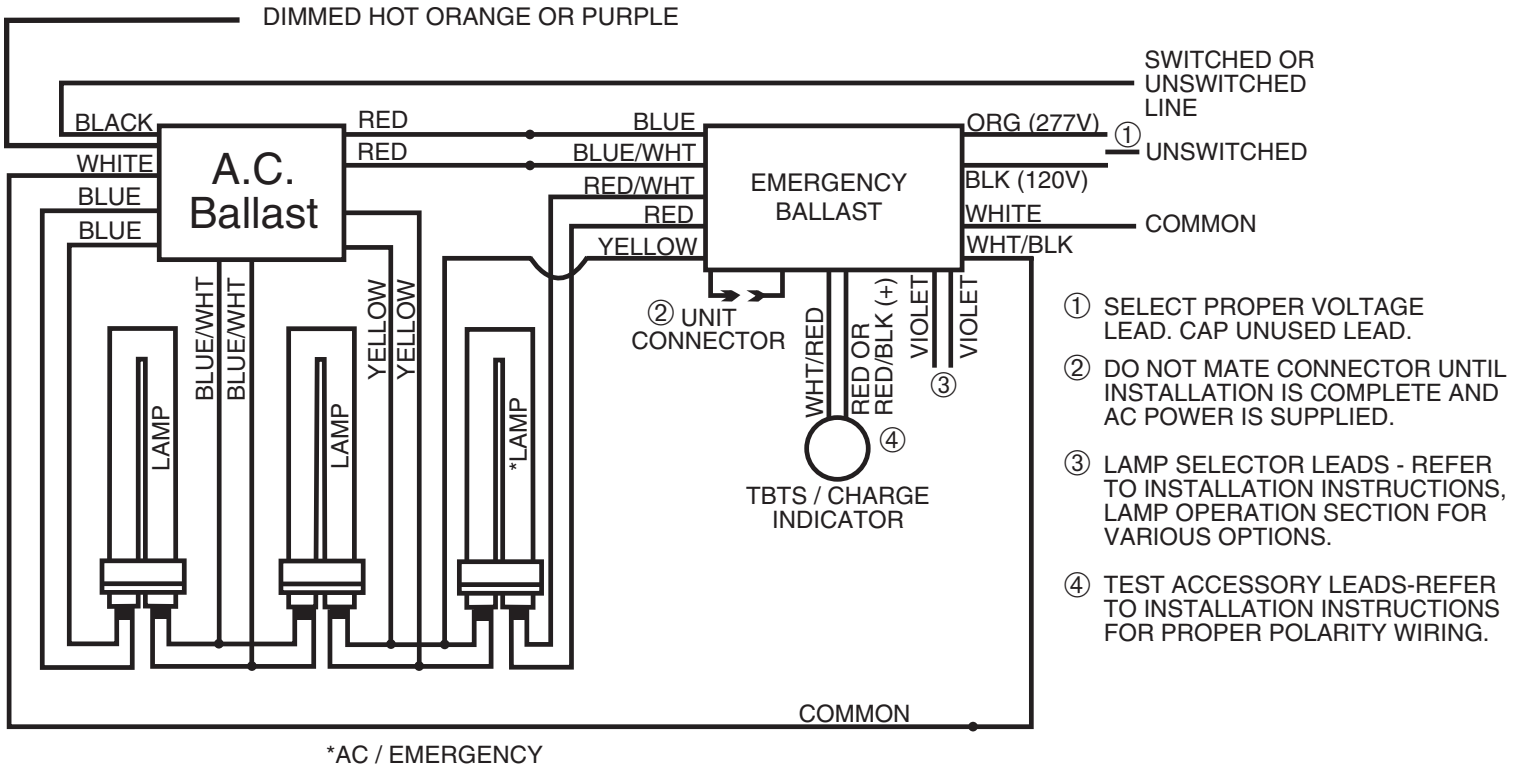
## FOUR LAMP RAPID START BALLAST



4LRSD\_D\_3

### NOTES

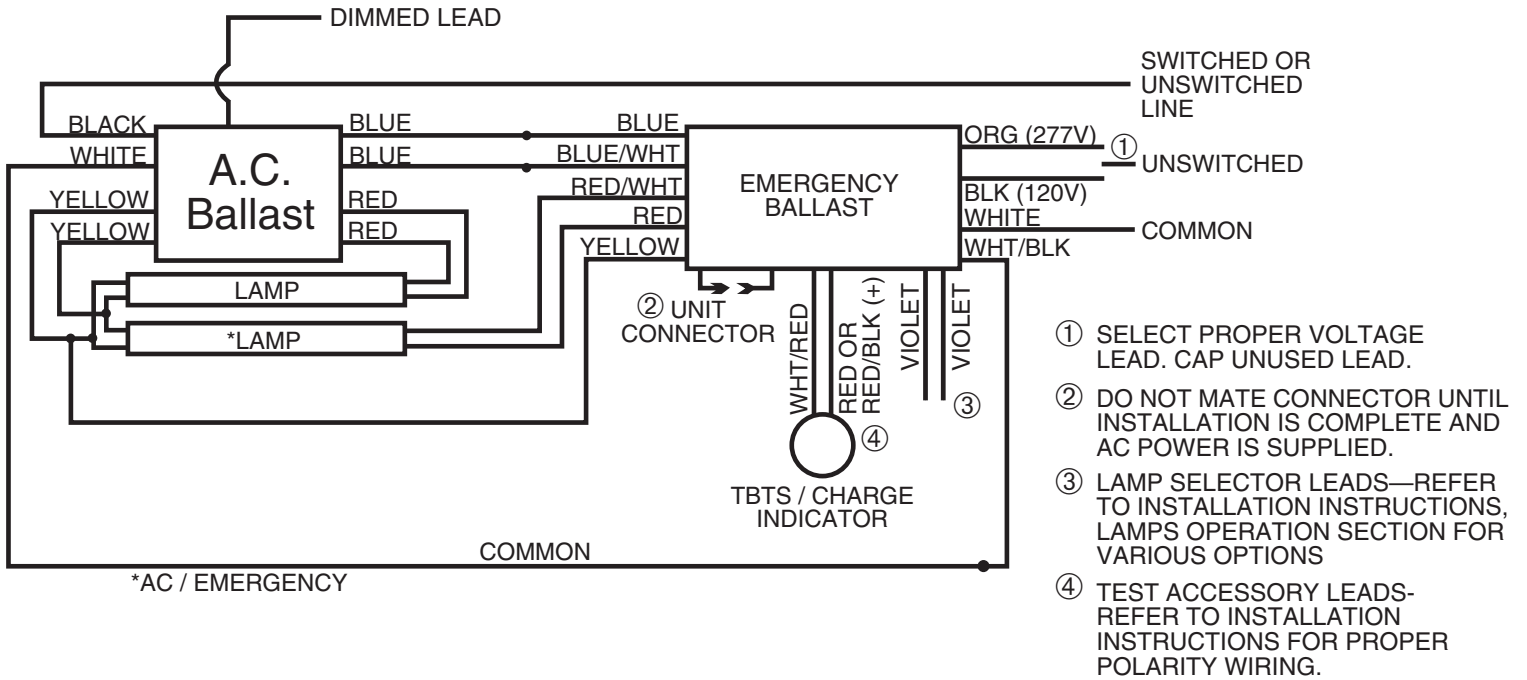
## THREE BIAX RAPID START BALLAST WITH DIMMING CONTROL



3BXLRSB\_DM\_80\_D

### NOTES

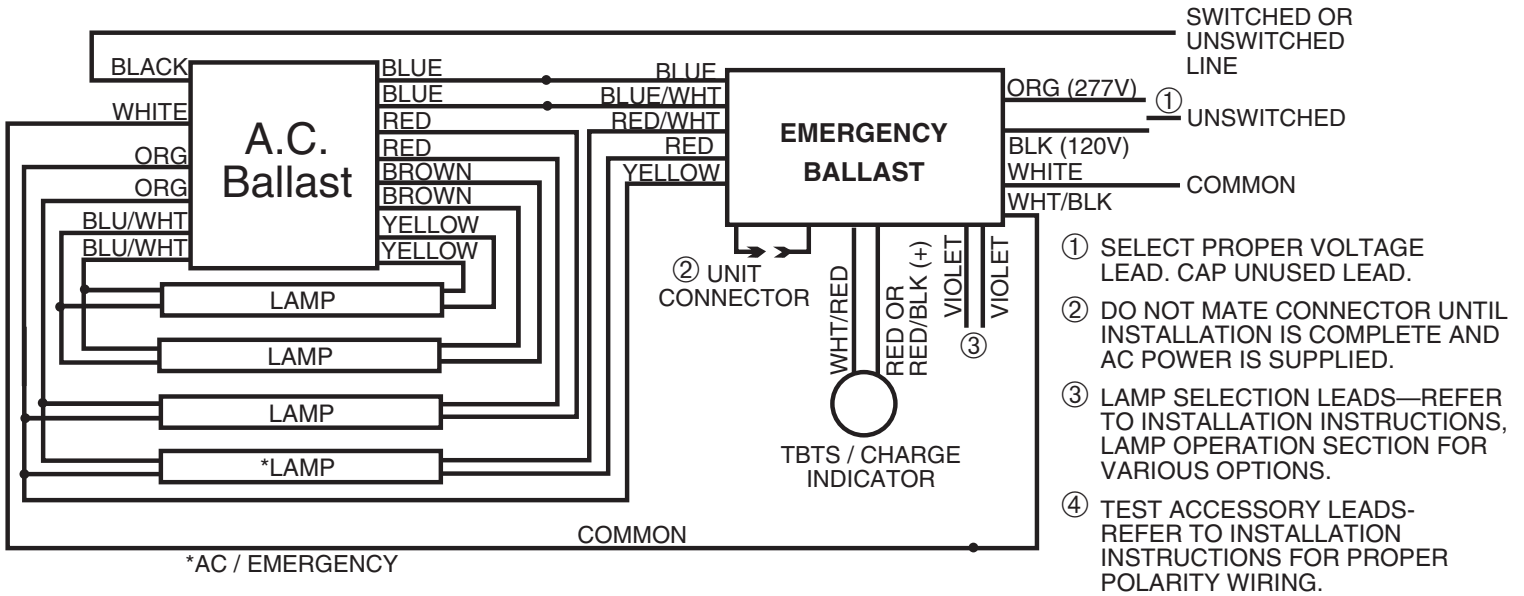
## TWO LAMP RAPID START BALLAST WITH DIMMING LEAD



2LRSBDL\_D

### NOTES

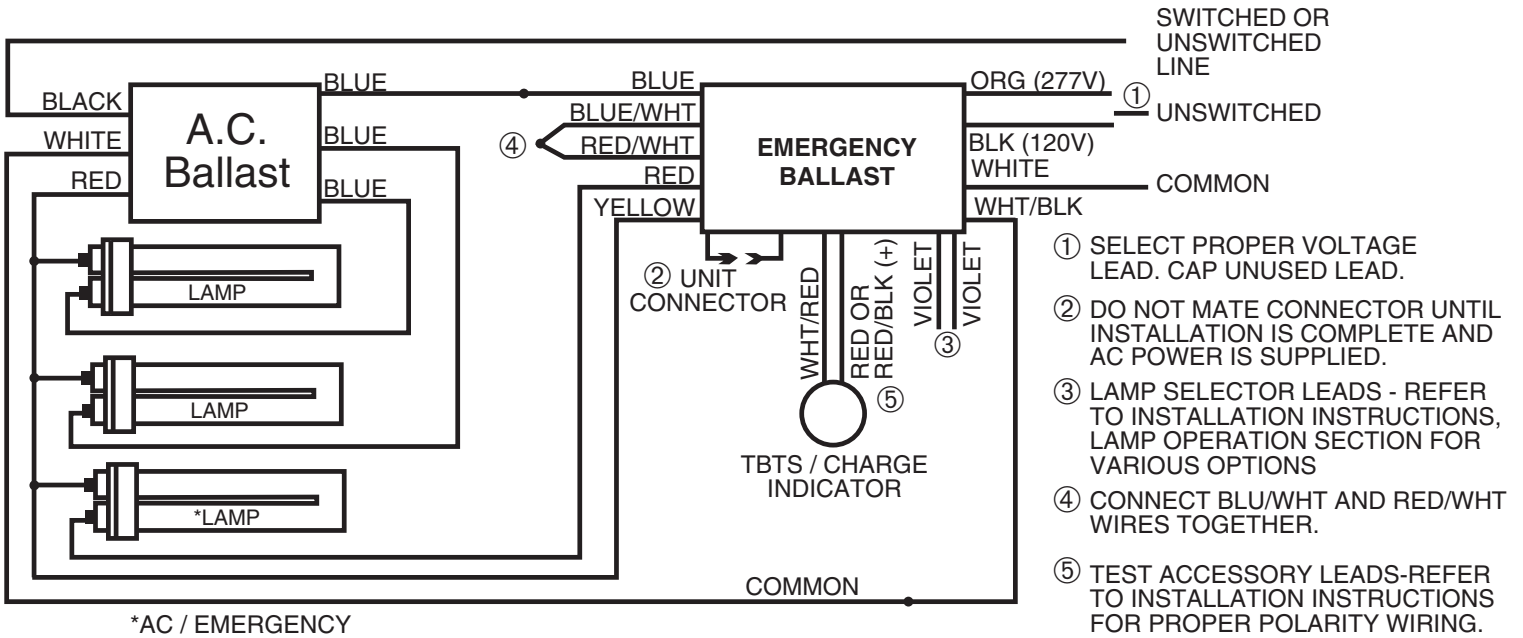
## FOUR LAMP RAPID START BALLAST



4LRSB\_D\_3

### NOTES

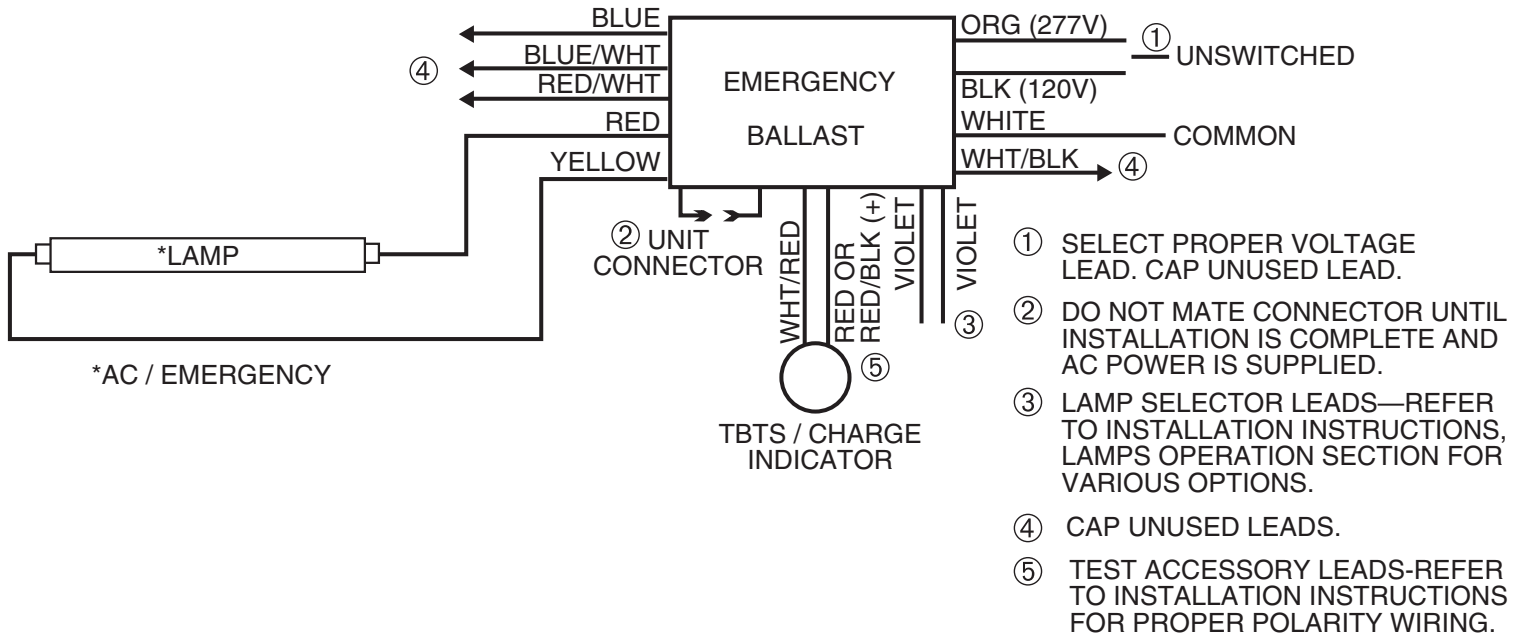
## THREE BIAx LAMP INSTANT START BALLAST



3LISBX\_D

### NOTES

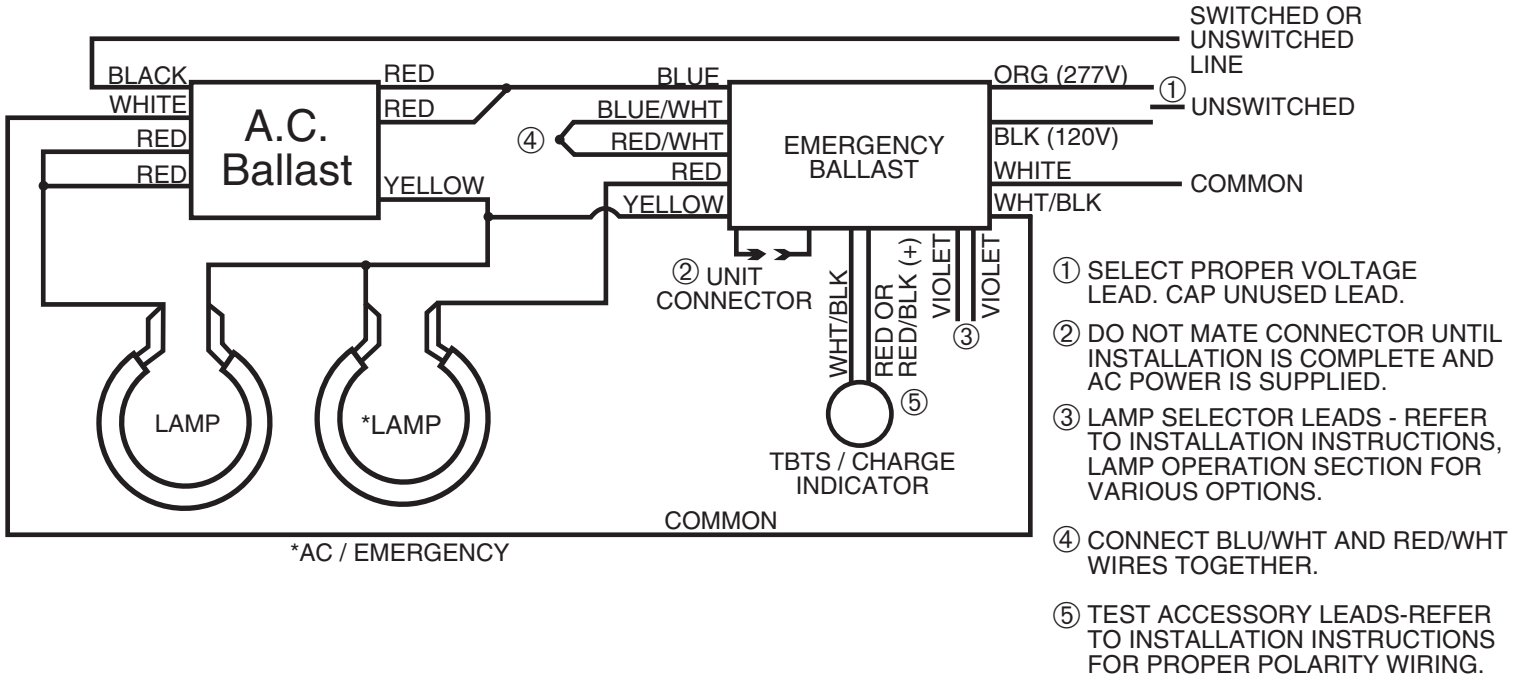
## ONE LAMP EMERGENCY ONLY



1LEO\_80\_D

### NOTES

## TWO LAMP CIRCLINE FULHAM BALLAST

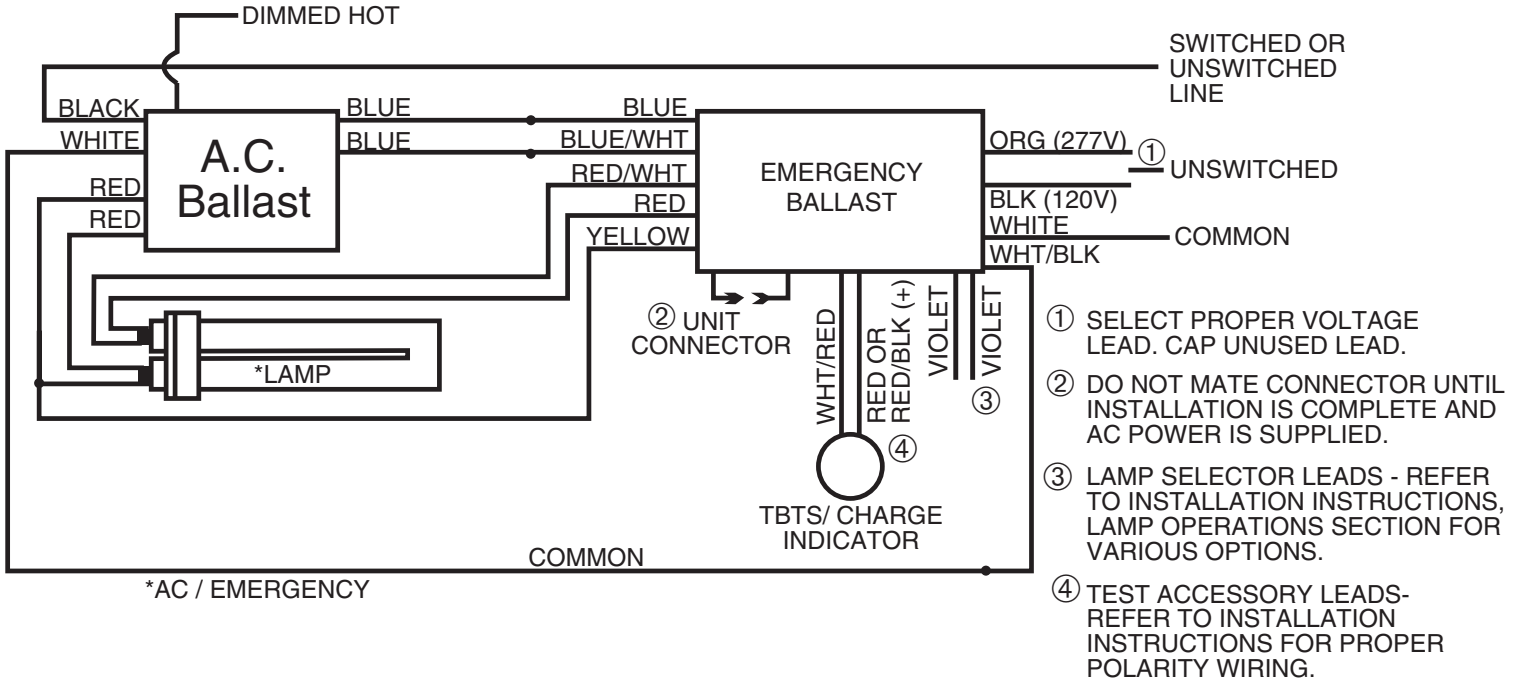


2LCFB\_80

### NOTES



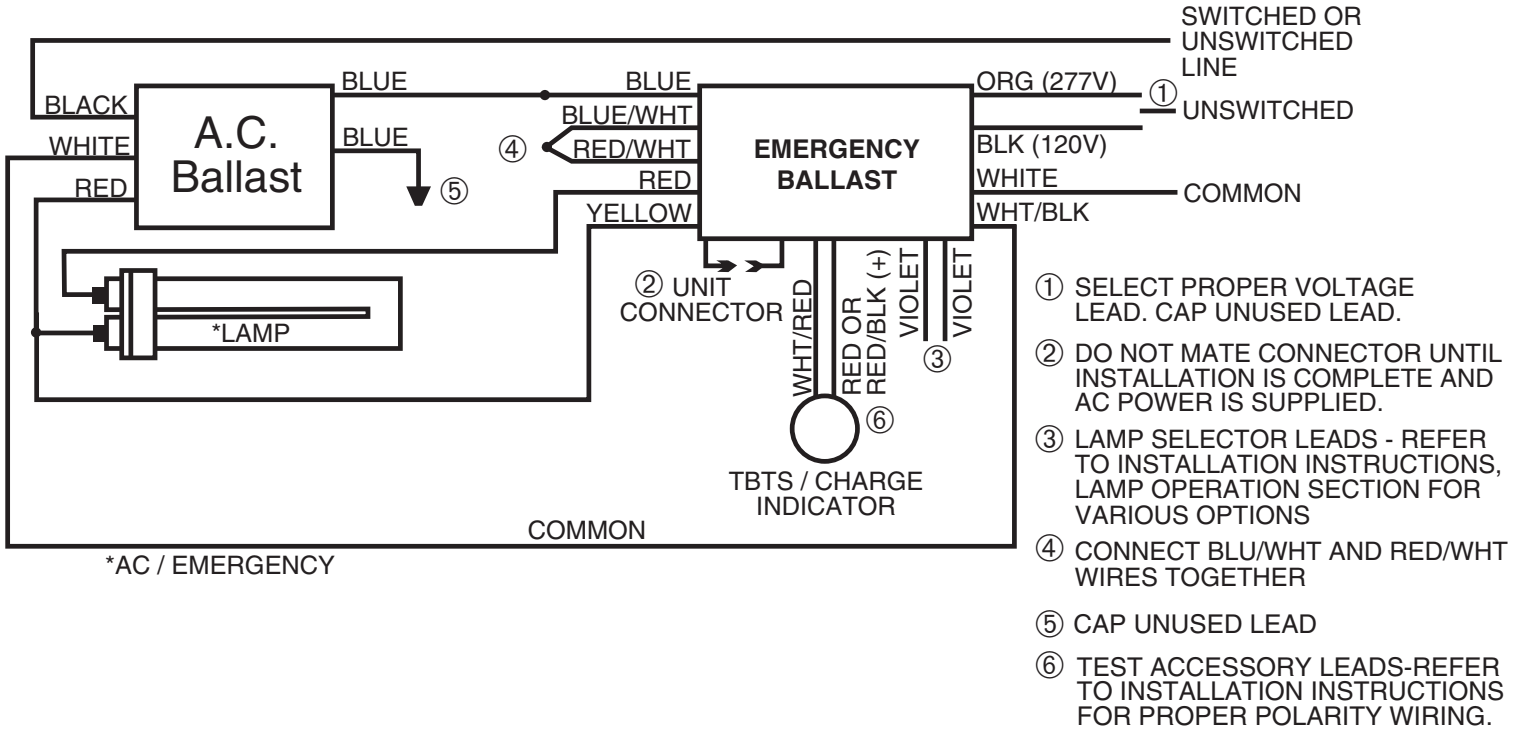
## ONE BIAx LAMP RAPID START BALLAST WITH DIMMING CONTROL



1BXLRSB\_DM\_80\_D

### NOTES

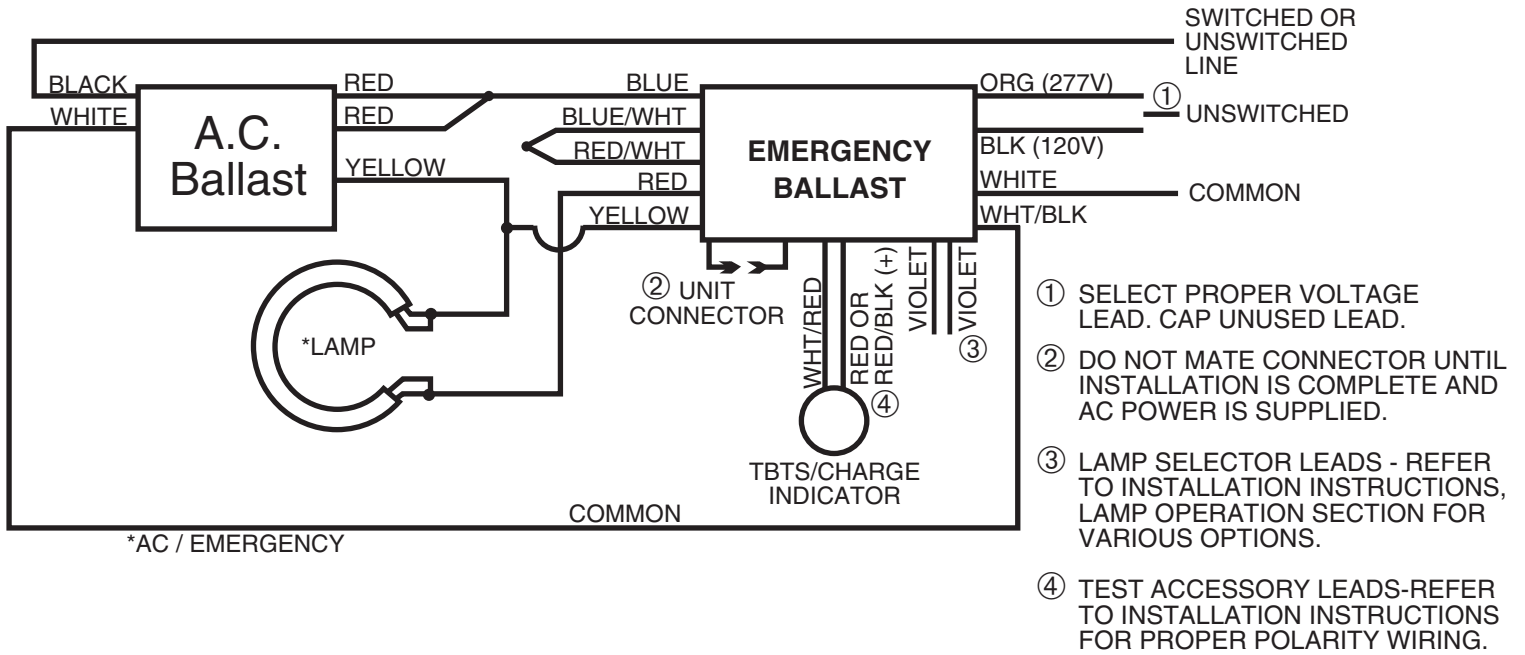
## ONE LAMP BIAx



1LBX\_80\_D

## NOTES

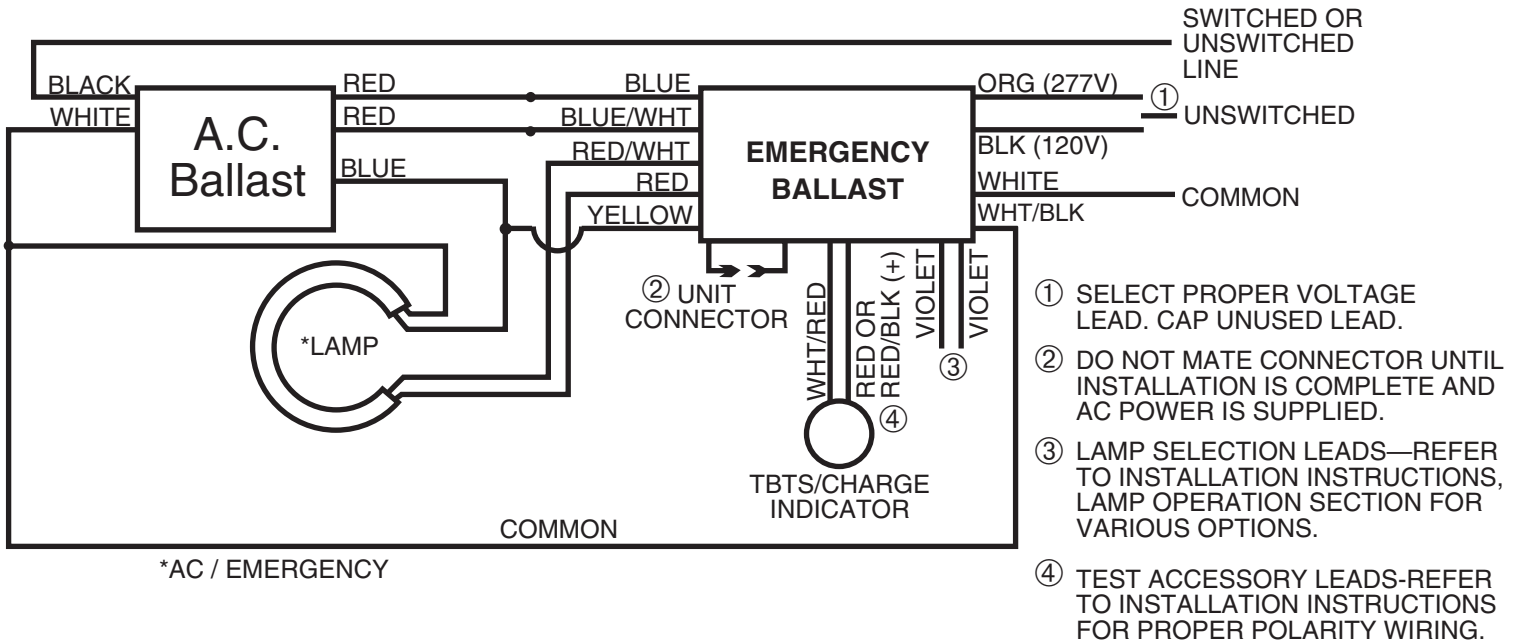
## ONE LAMP CIRCLINE INSTANT START FULLHAM BALLAST



1LCISB\_80F\_D

### NOTES

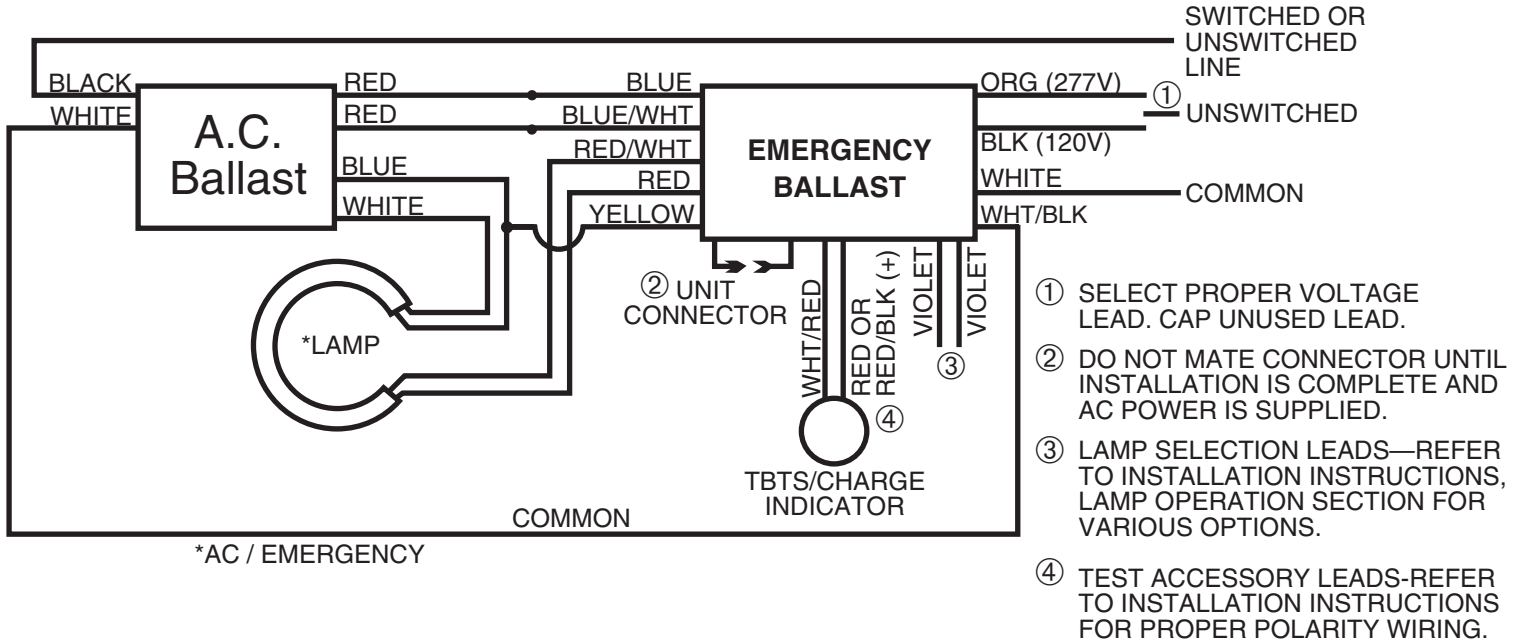
## ONE LAMP CIRCLINE RAPID START BALLAST



1LCRSB2\_D

### NOTES

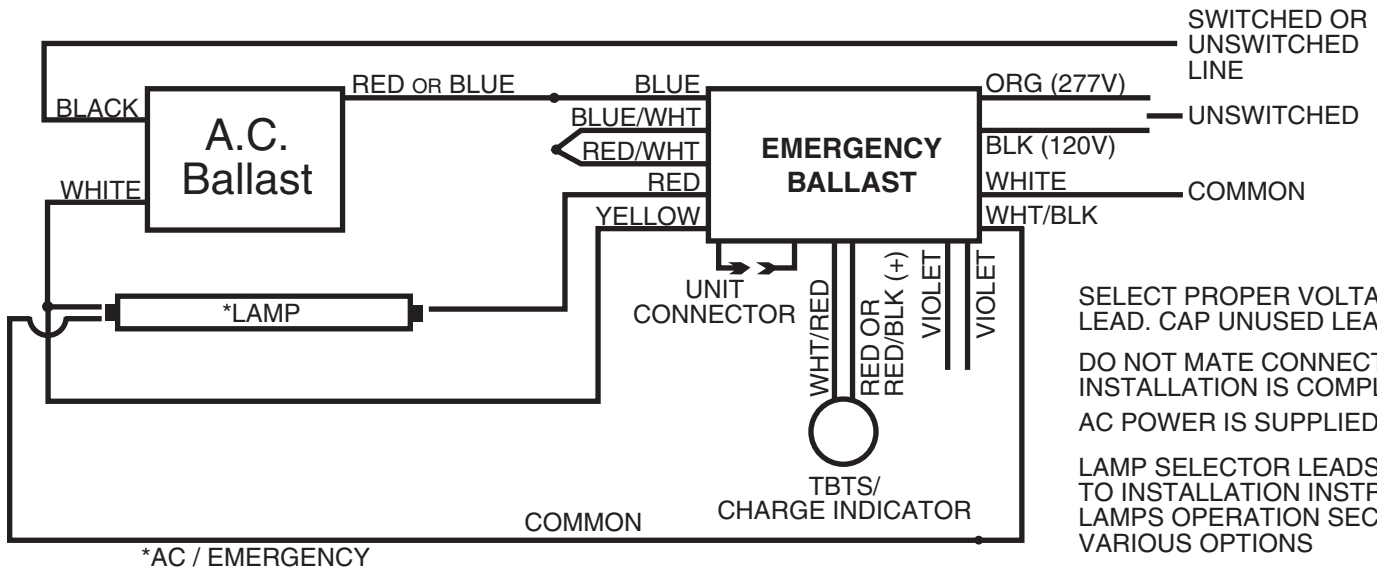
## ONE LAMP CIRCLINE RAPID START BALLAST



1LCRSB\_80\_D

### NOTES

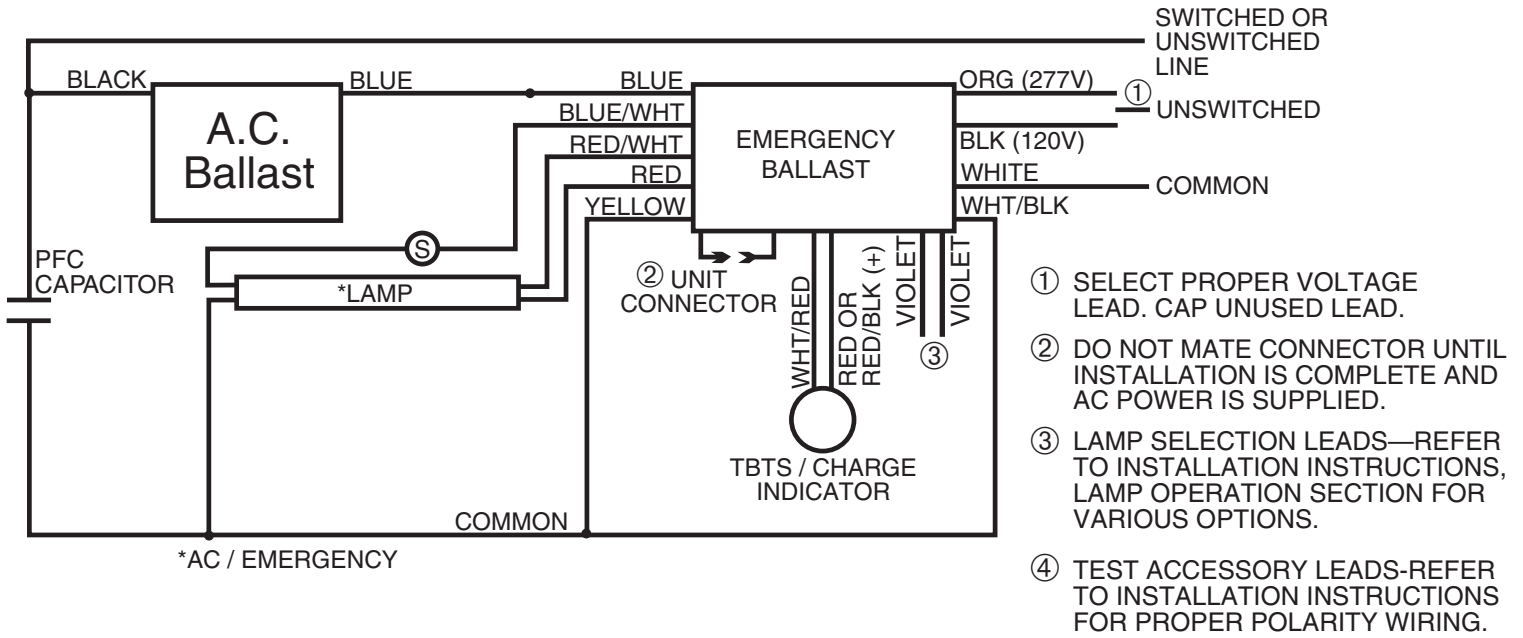
## ONE LAMP MAGNETIC BALLAST



1LMB\_80\_D

### NOTES

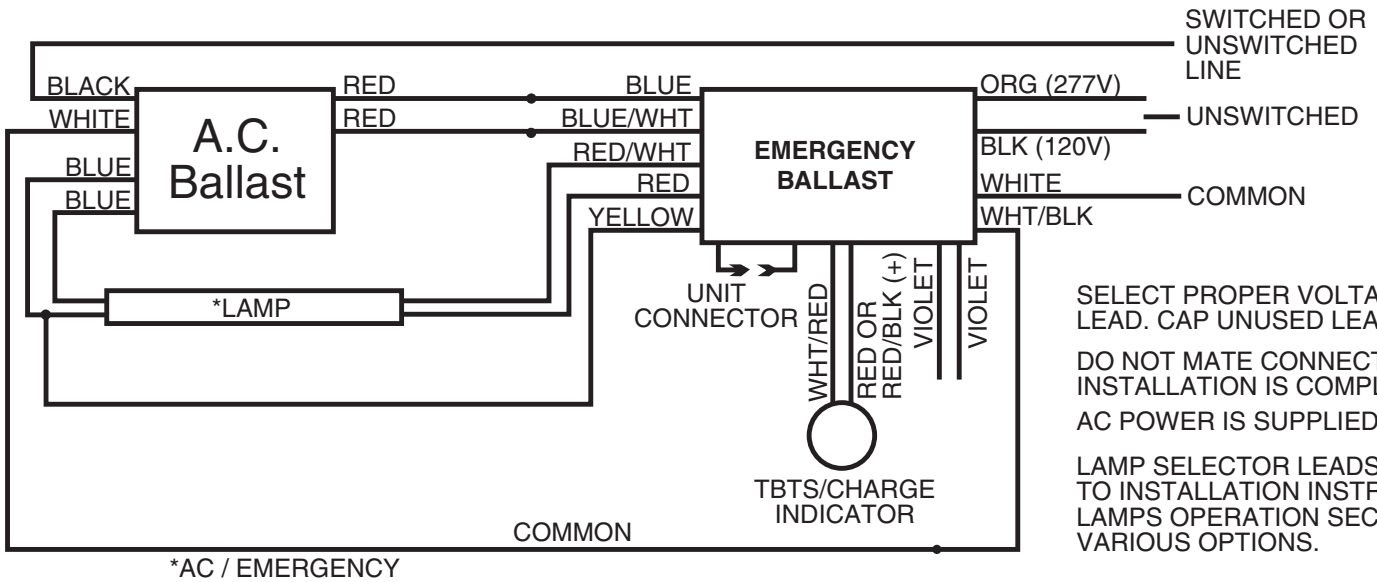
## ONE LAMP PRE-HEAT START BALLAST



1LPHSB\_80\_D

### NOTES

## ONE LAMP RAPID START BALLAST



SELECT PROPER VOLTAGE LEAD. CAP UNUSED LEAD.

DO NOT MATE CONNECTOR UNTIL INSTALLATION IS COMPLETE AND AC POWER IS SUPPLIED.

LAMP SELECTOR LEADS—REFER TO INSTALLATION INSTRUCTIONS, LAMPS OPERATION SECTION FOR VARIOUS OPTIONS.

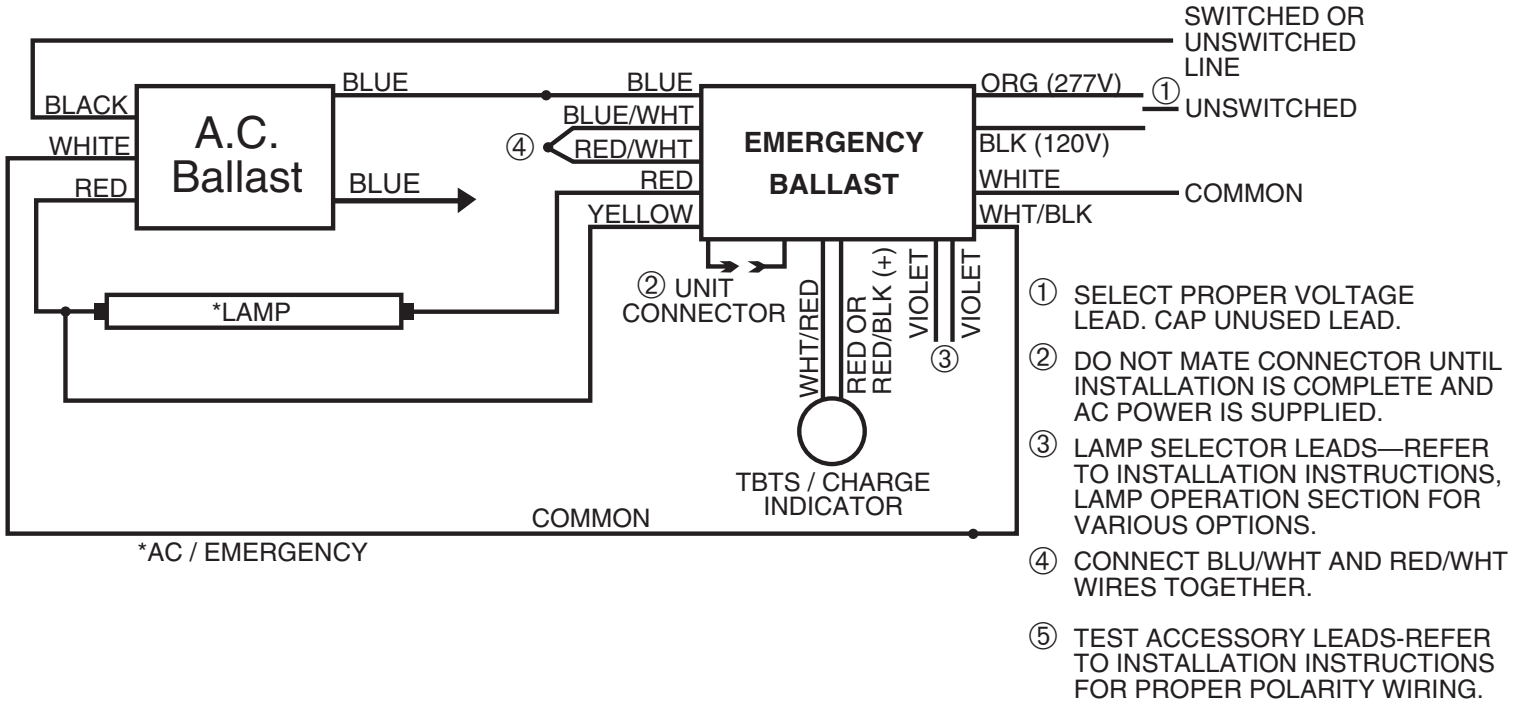
TEST ACCESSORY LEADS-REFER TO INSTALLATION INSTRUCTIONS FOR PROPER POLARITY WIRING.

1LRSB\_48ST\_2\_D

### NOTES



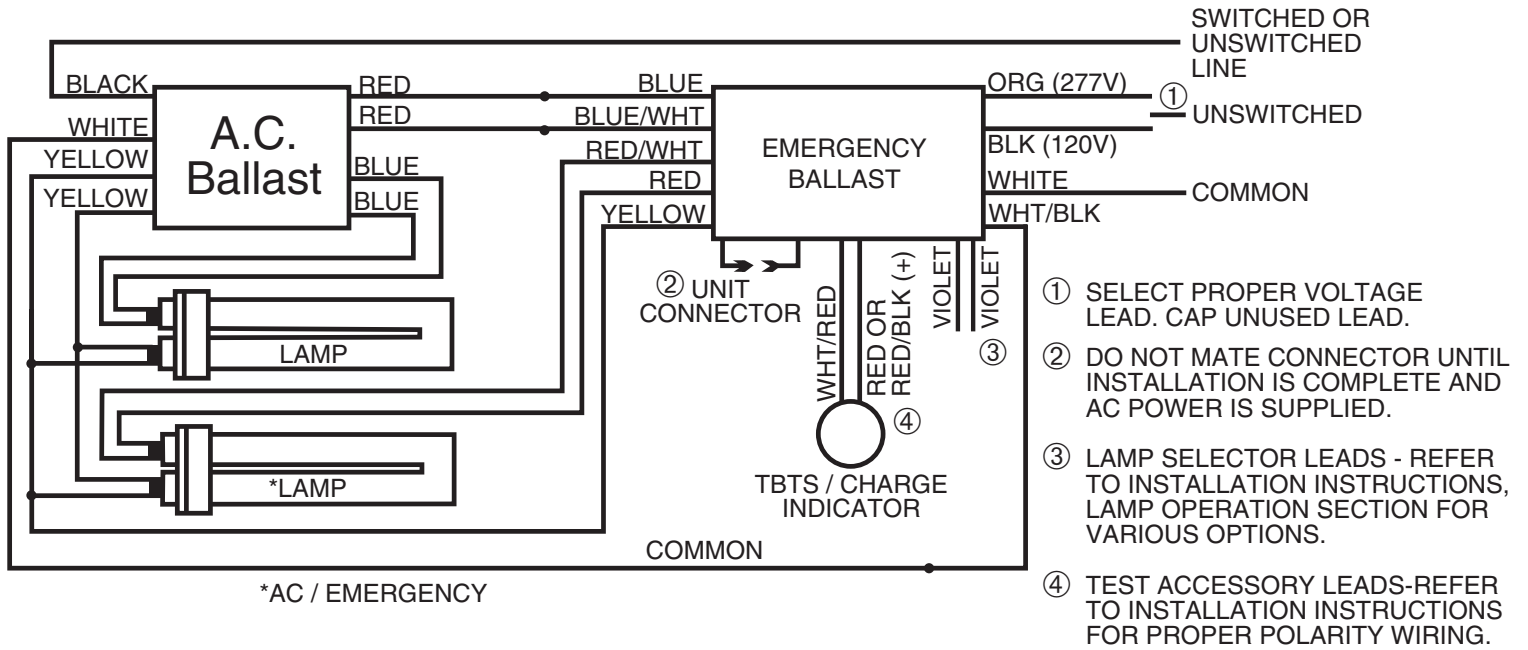
## ONE LAMP TRIAD BALLAST



1LTB\_80\_D

### NOTES

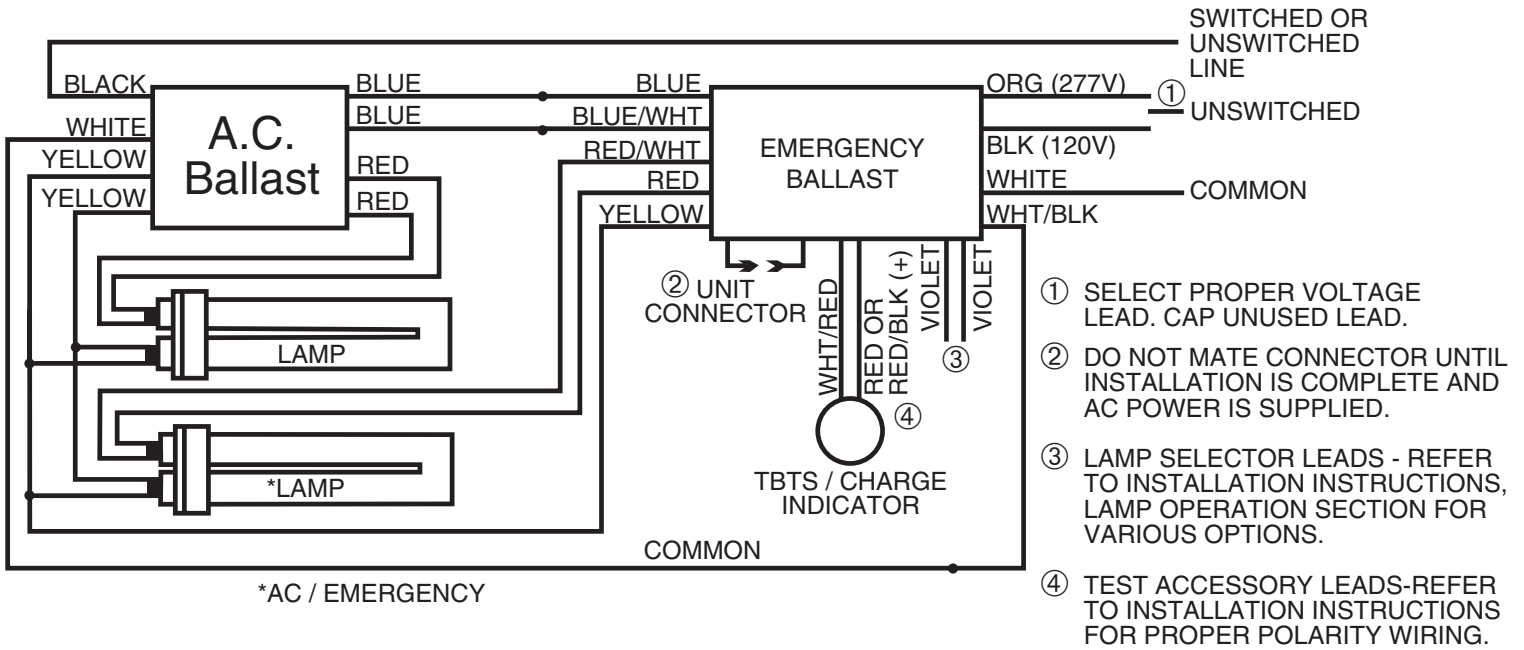
## TWO BIAX RAPID START



2BXLRSB2\_80\_D

### NOTES

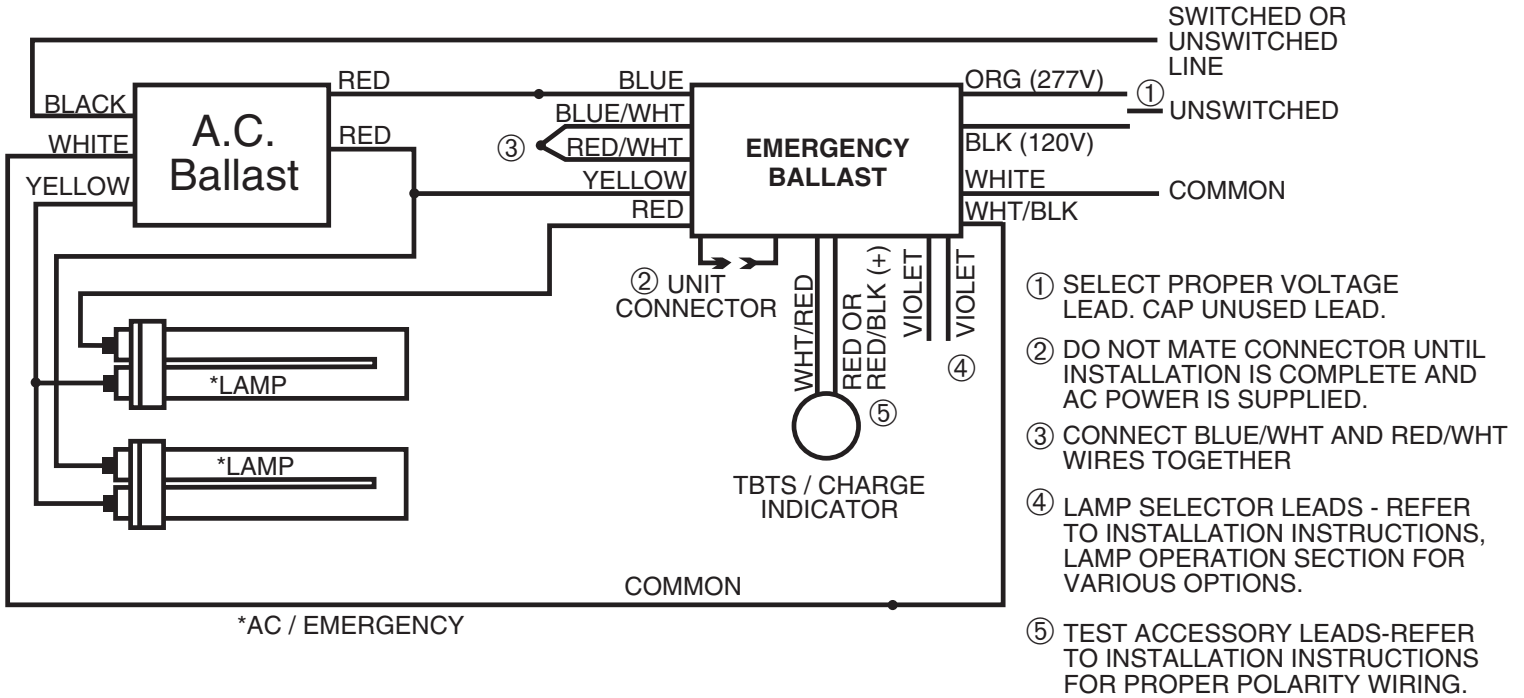
## TWO BIAx LAMP RAPID START BALLAST



2BXLRSB\_80\_D

### NOTES

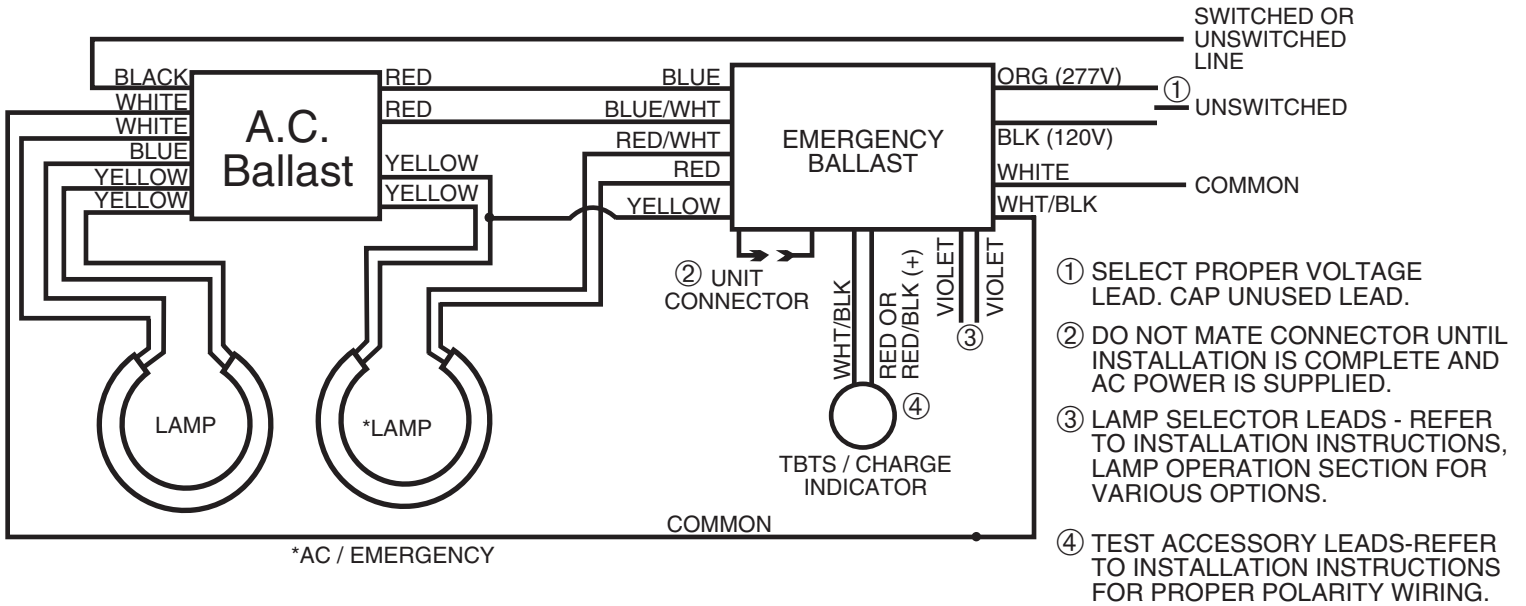
## TWO BIAx LAMP FULLHAM BALLAST TWO LAMP EMERGENCY OPERATION



2LBXF\_D

### NOTES

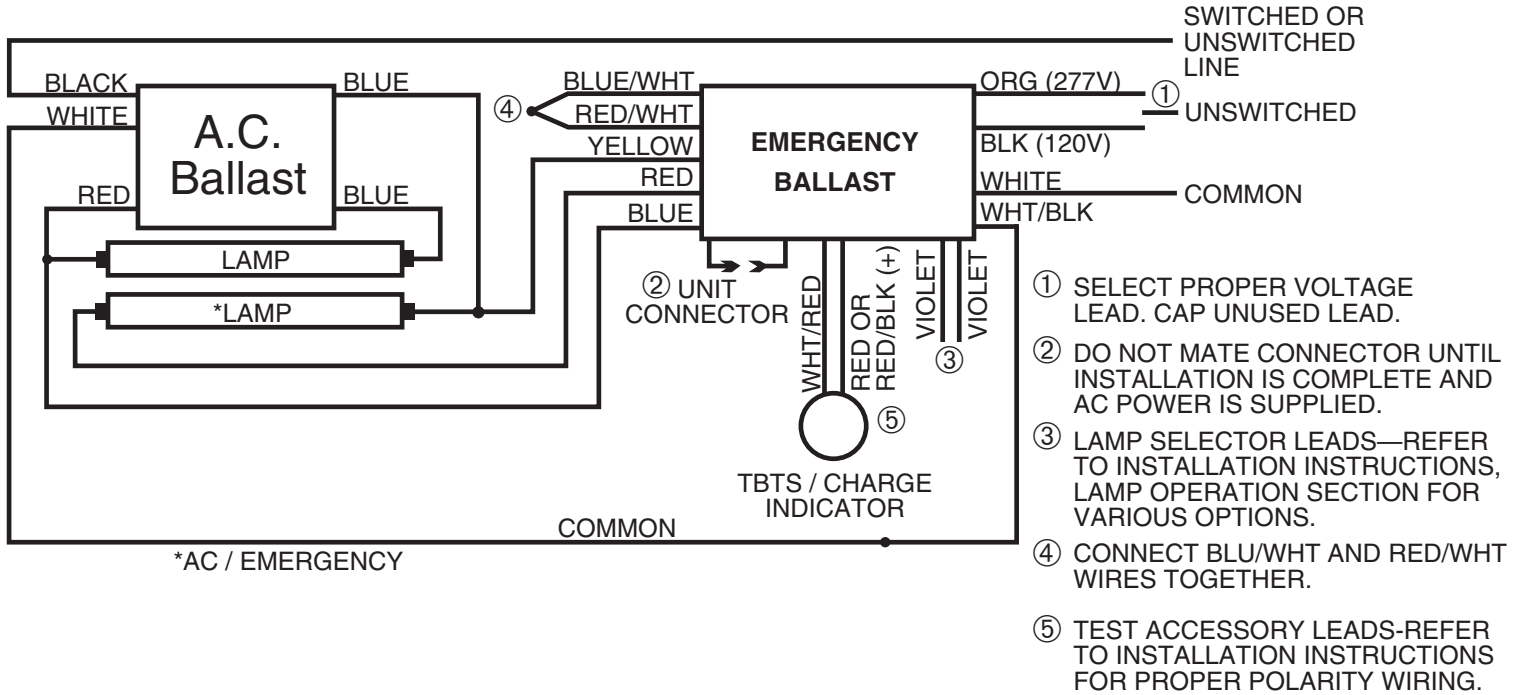
## TWO LAMP CIRCLINE RAPID START BALLAST



2LRSB\_80\_D

### NOTES

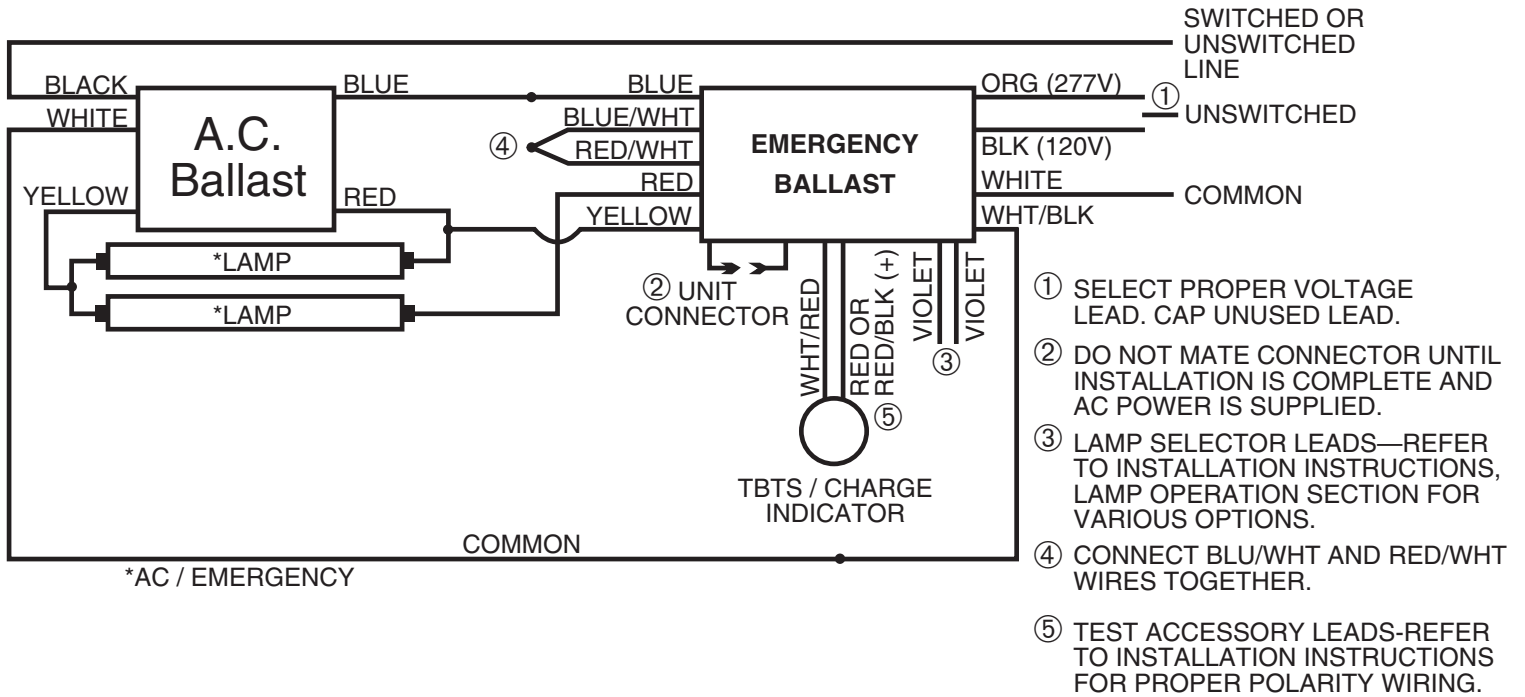
## TWO LAMP INSTANT START BALLAST



2LISB\_80\_3\_D

### NOTES

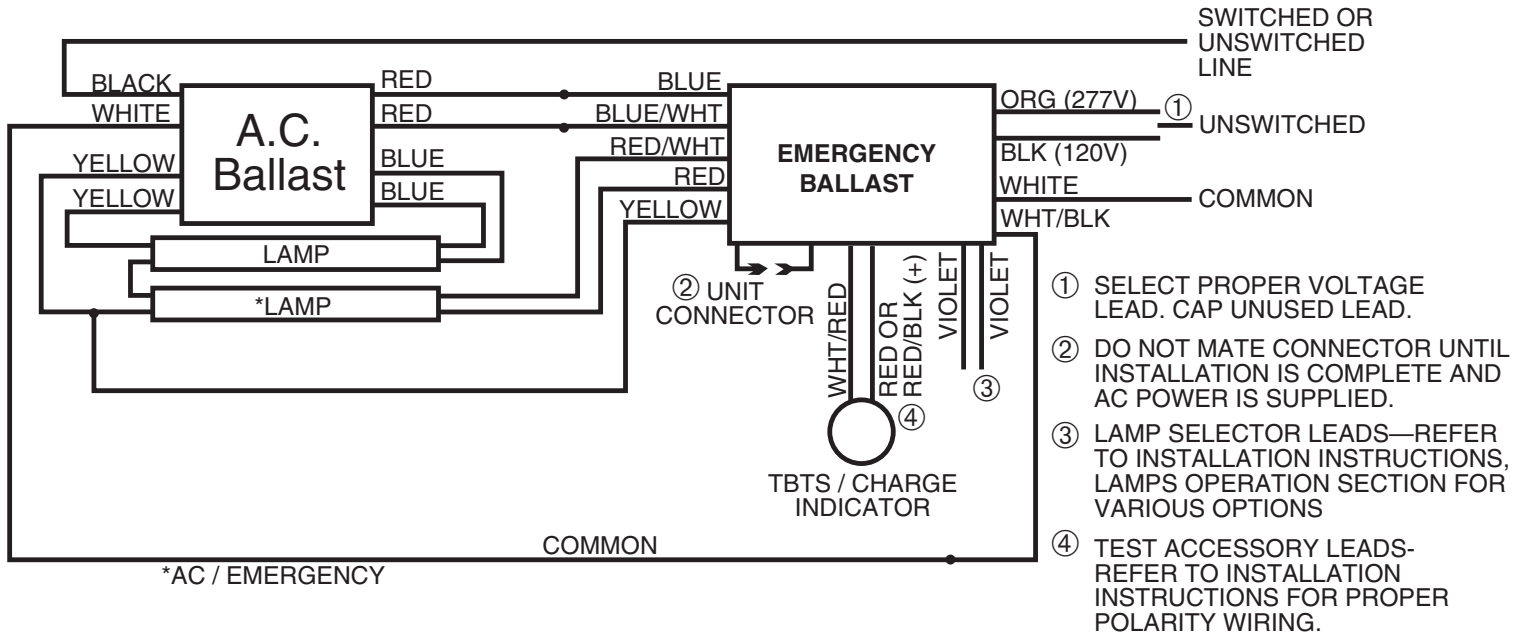
## TWO LAMP INSTANT START BALLAST TWO LAMP OPERATION



2LISBESI\_2LEO\_80\_D

### NOTES

## TWO LAMP RAPID START BALLAST

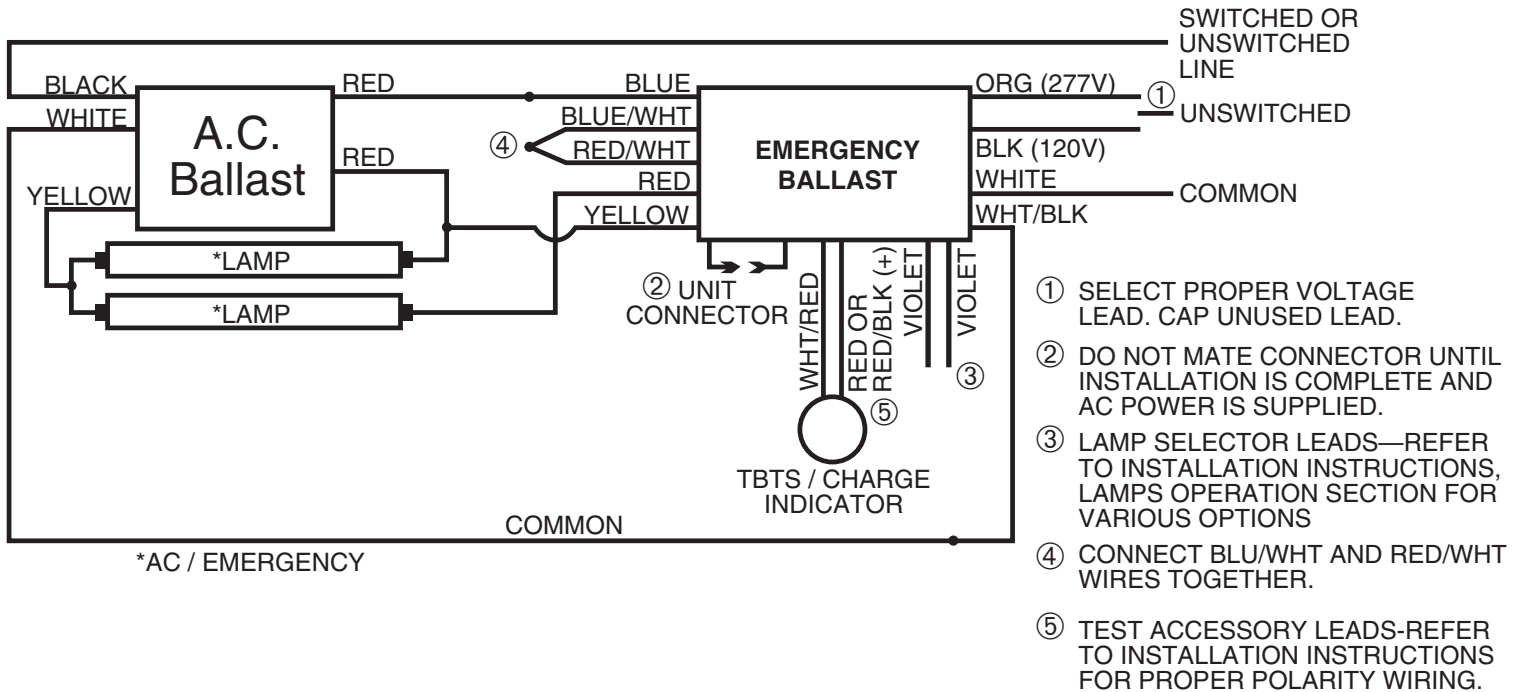


2LRSB\_D\_5

### NOTES



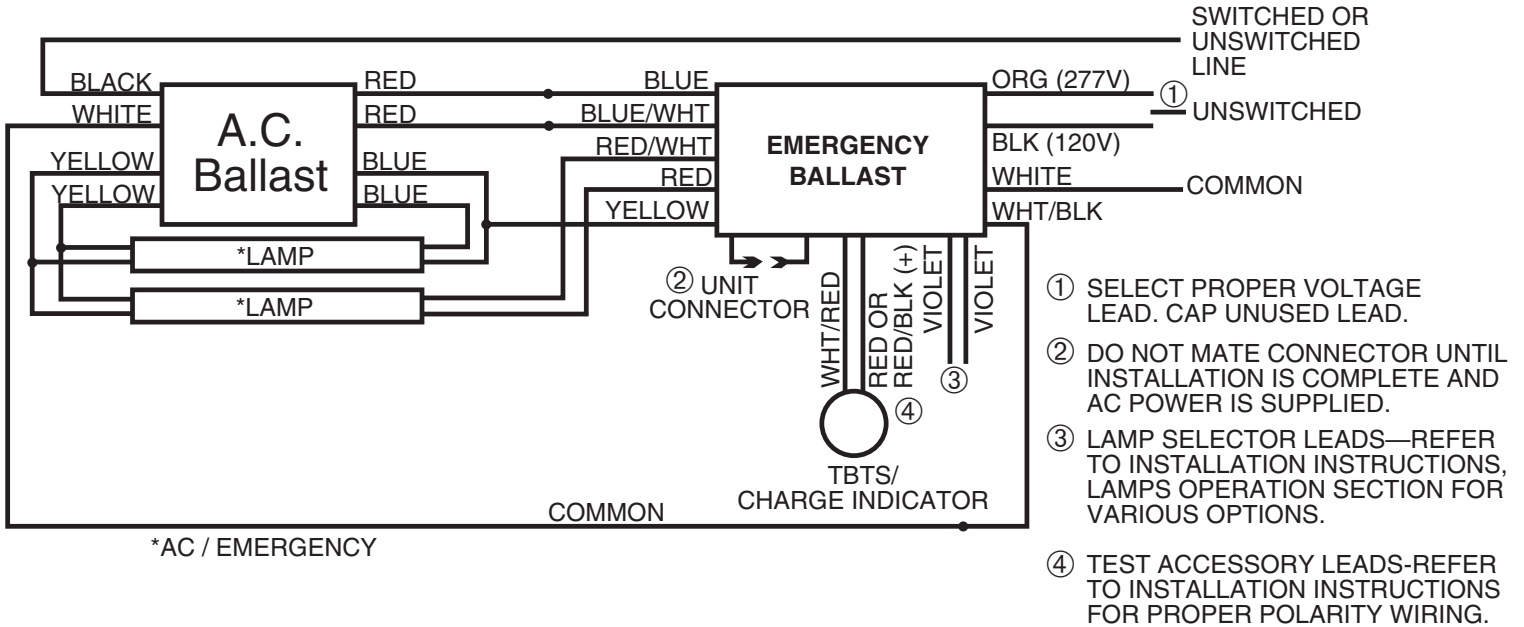
## TWO LAMP INSTANT START BALLAST TWO LAMP EMERGENCY OPERATION



2LISFB2\_80\_2LEO\_D

### NOTES

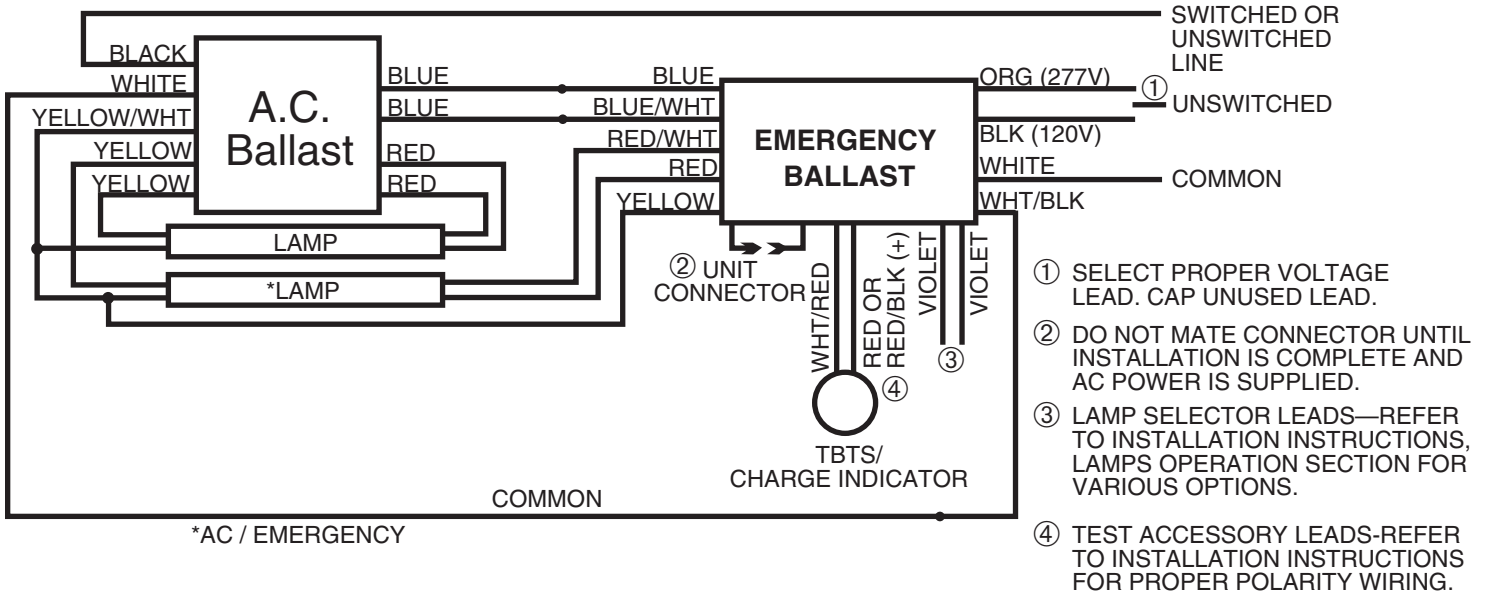
## TWO LAMP RAPID START BALLAST WITH TWO LAMP EMERGENCY OPERATION



2LRSB\_2LEO\_48ST\_2\_D

### NOTES

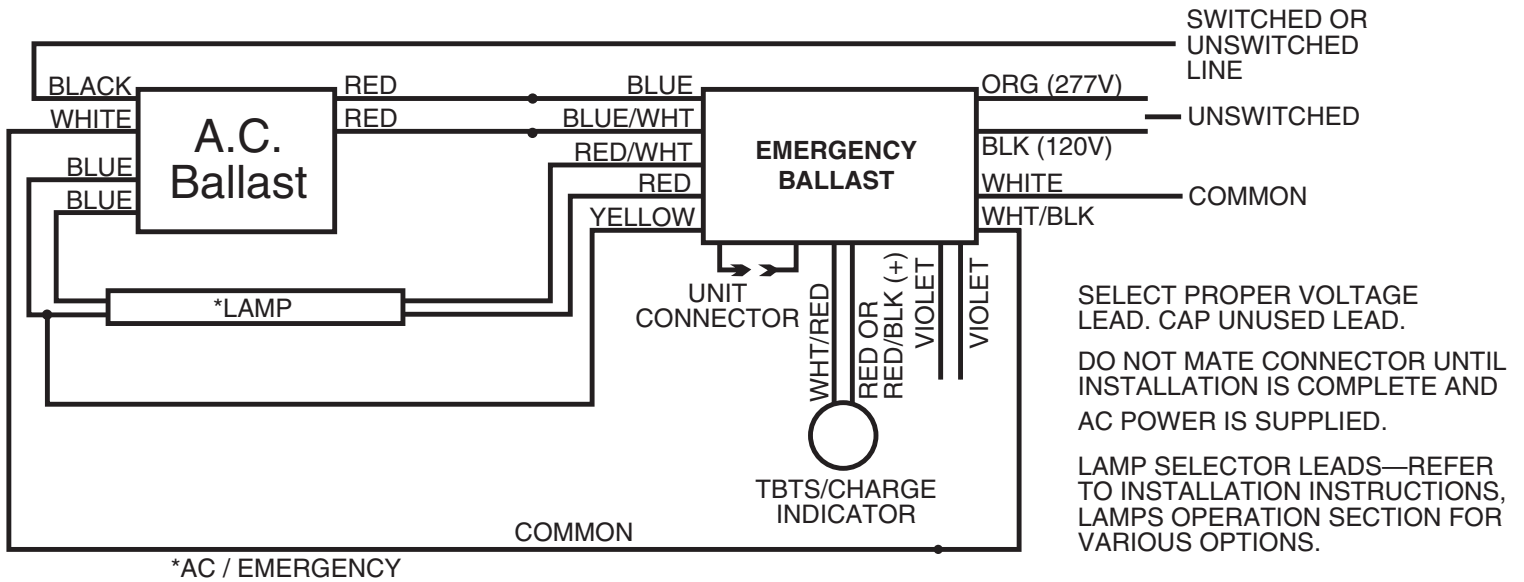
## TWO LAMP RAPID START BALLAST



2LRSB\_2LEO\_SYL\_D

### NOTES

## ONE LAMP RAPID START BALLAST

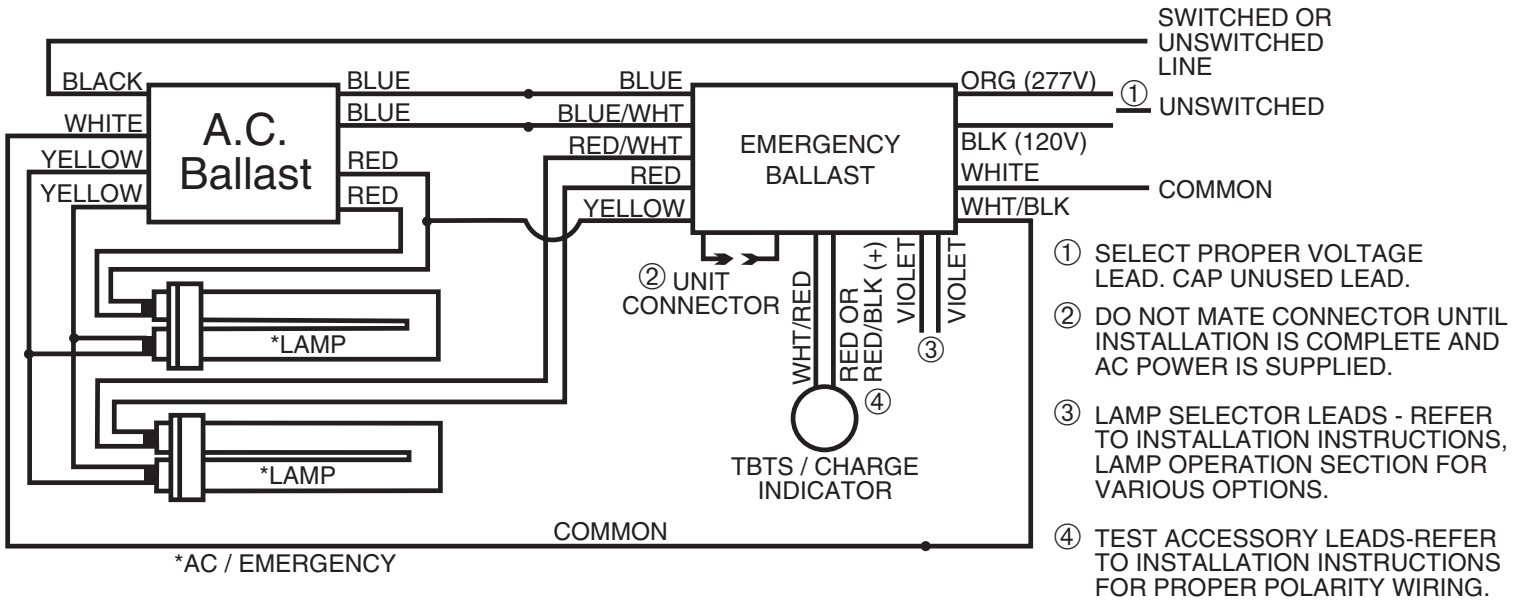


1LRSB\_48ST\_2\_D

### NOTES

Blank area for notes.

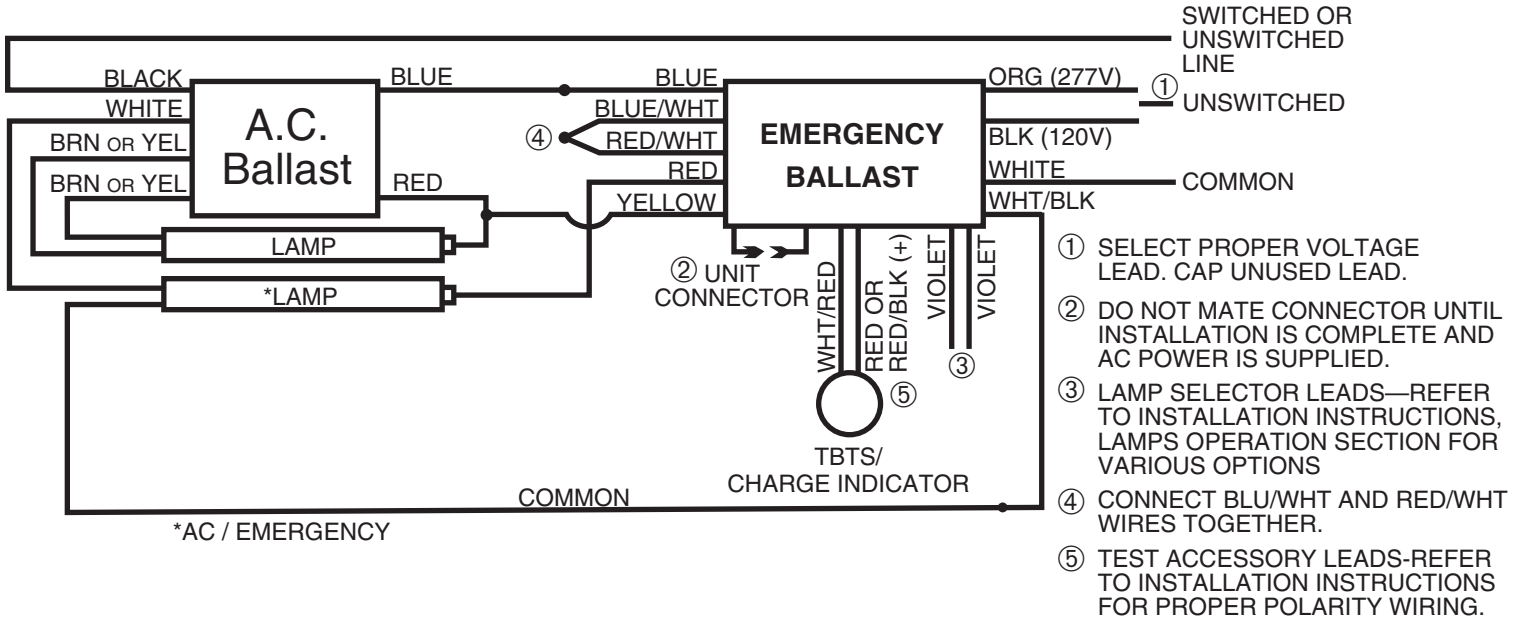
## TWO LAMP RAPID START BALLAST TWO LAMP OPERATION



2LRSB\_80\_2\_D

### NOTES

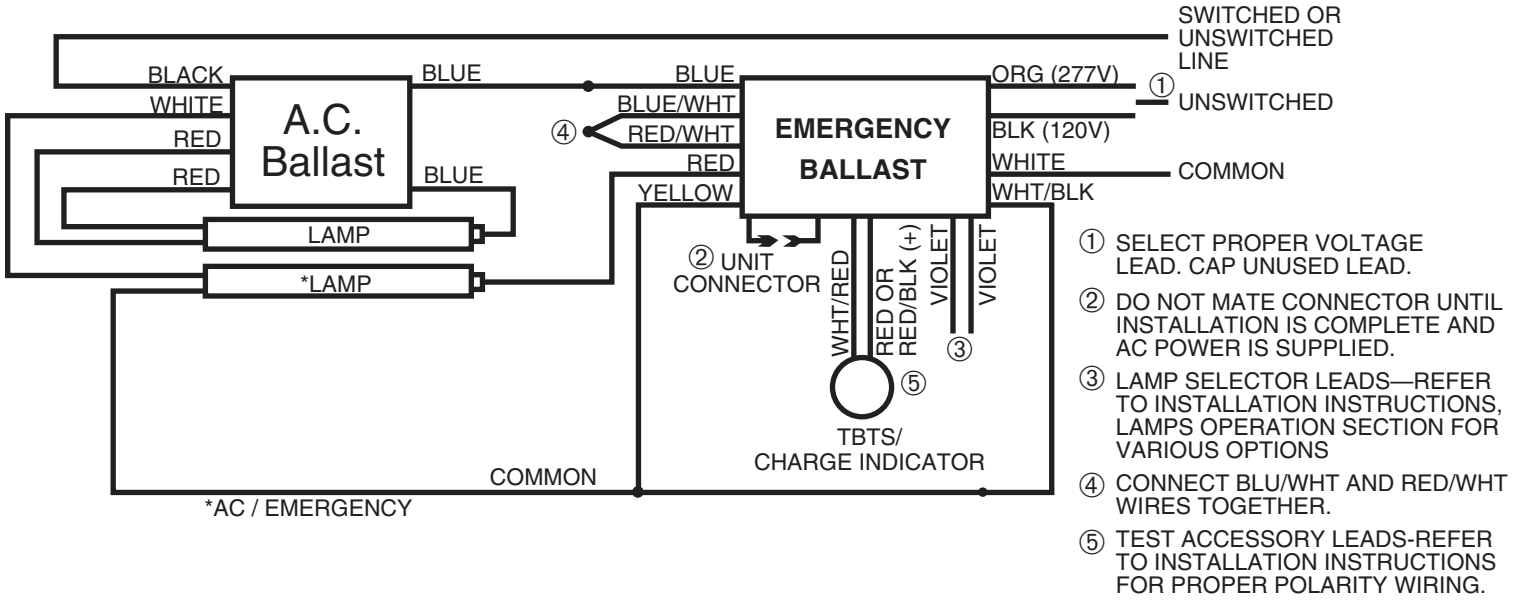
## TWO LAMP SERIES LEAD BALLAST WITH TWO LAMP EMERGENCY OPERATION



2LSL\_2LEO\_80\_D

### NOTES

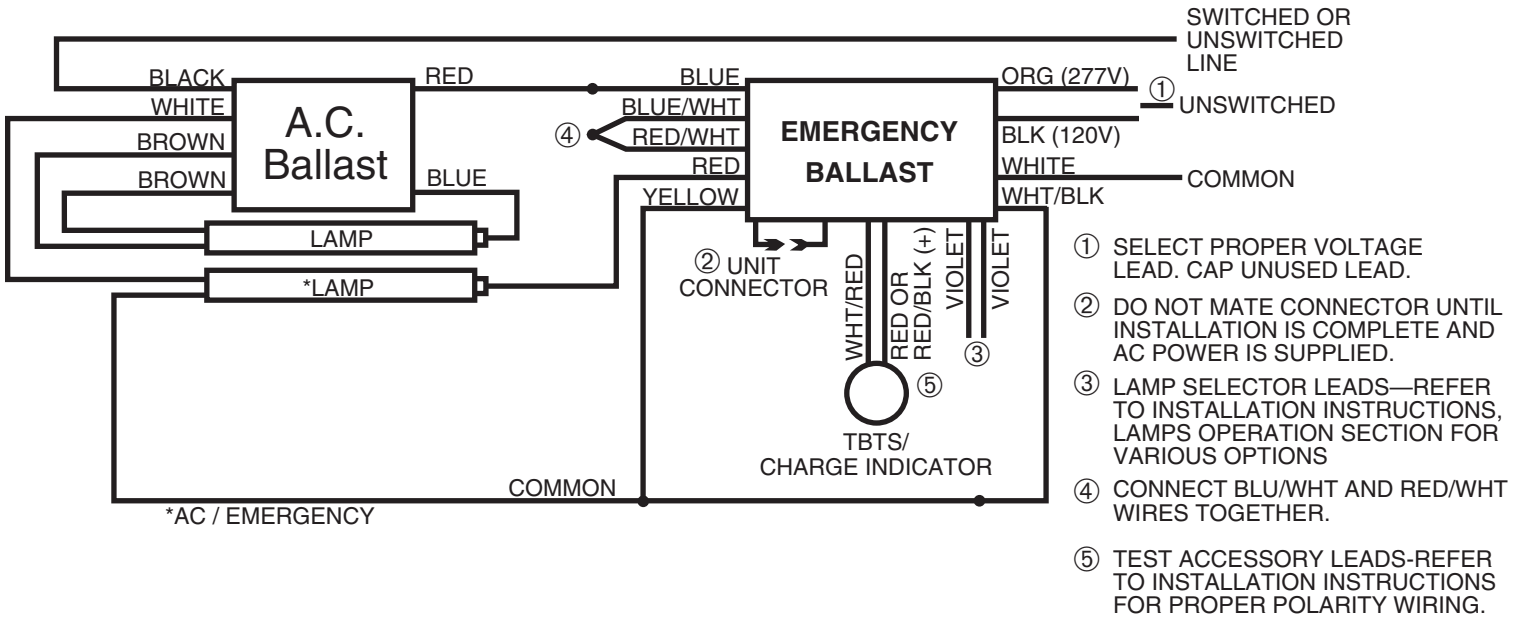
## TWO LAMP SERIES LEAD BALLAST



2LSL\_80\_2\_D

### NOTES

## TWO LAMP SERIES LEAD BALLAST

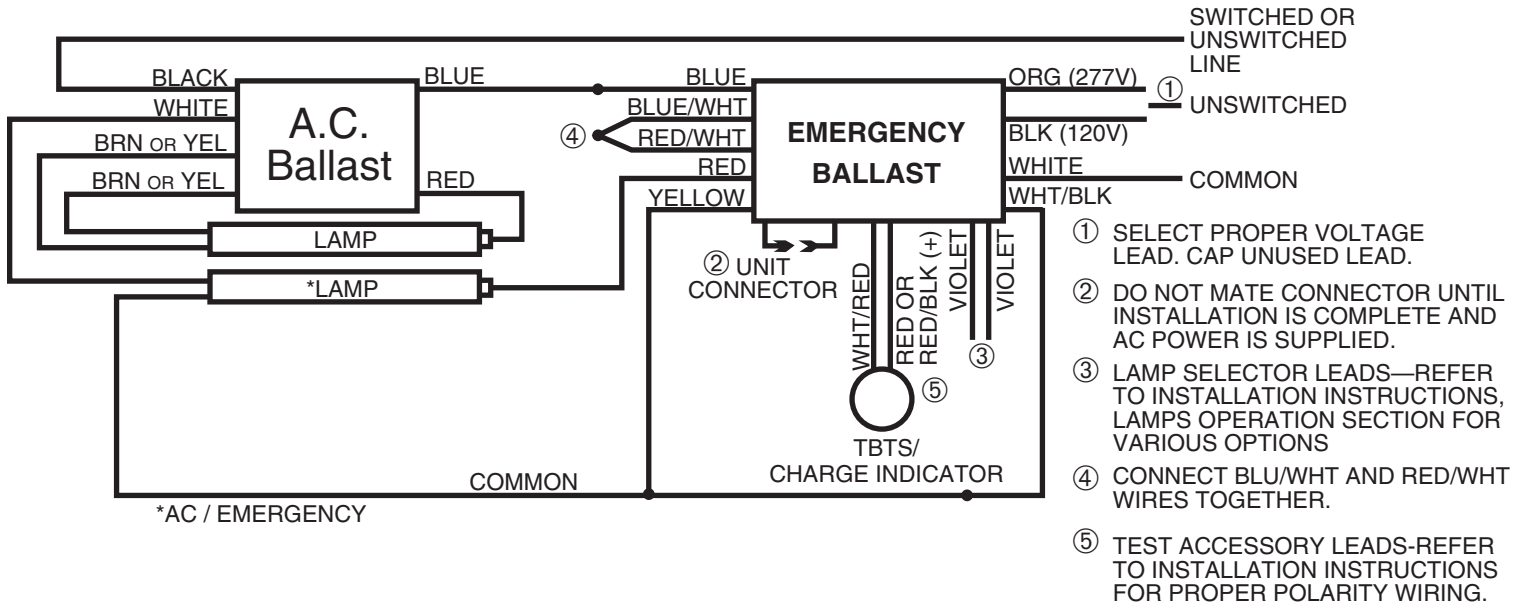


2LSL\_80\_3\_D

### NOTES



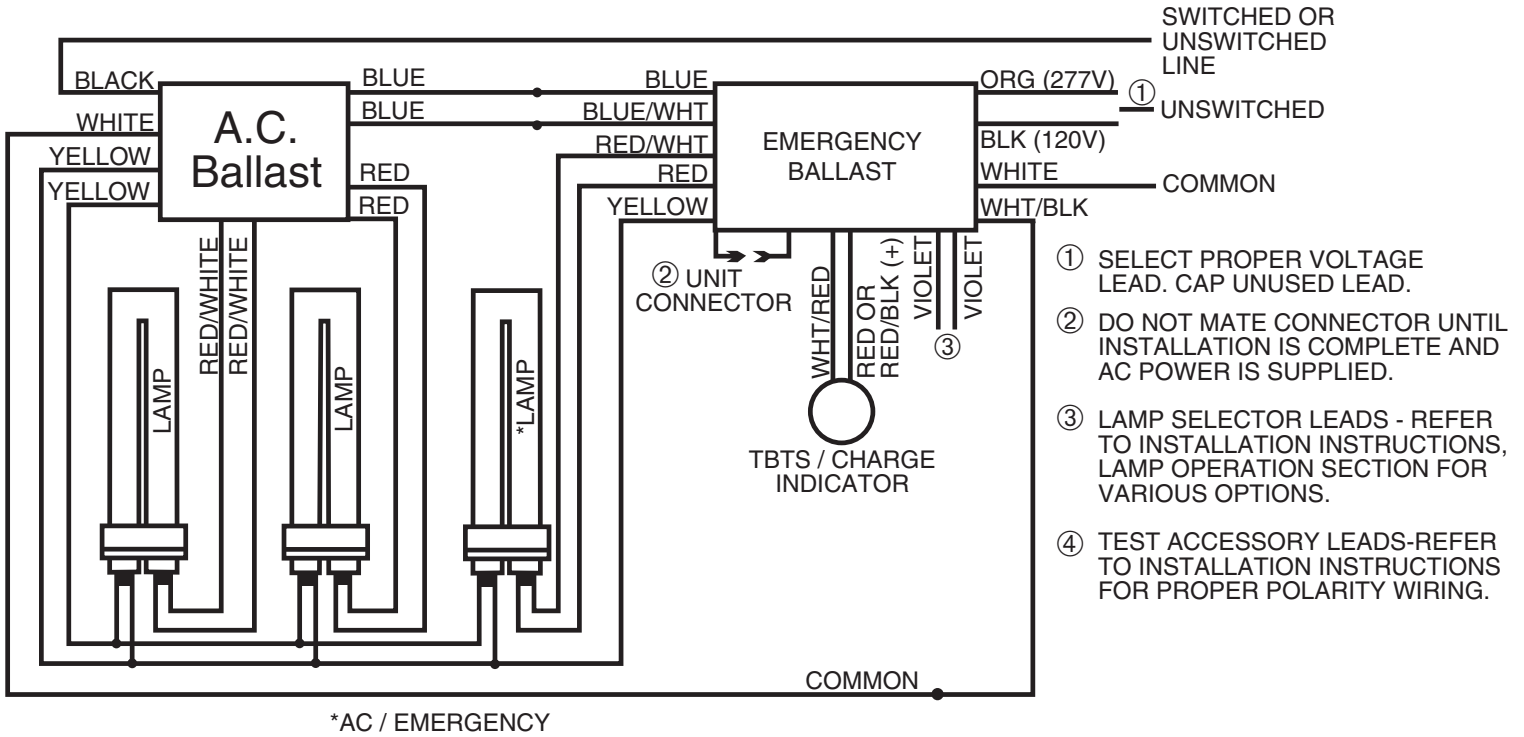
## TWO LAMP SERIES LEAD BALLAST



2LSL\_80\_D

### NOTES

## THREE BIAx RAPID START BALLAST

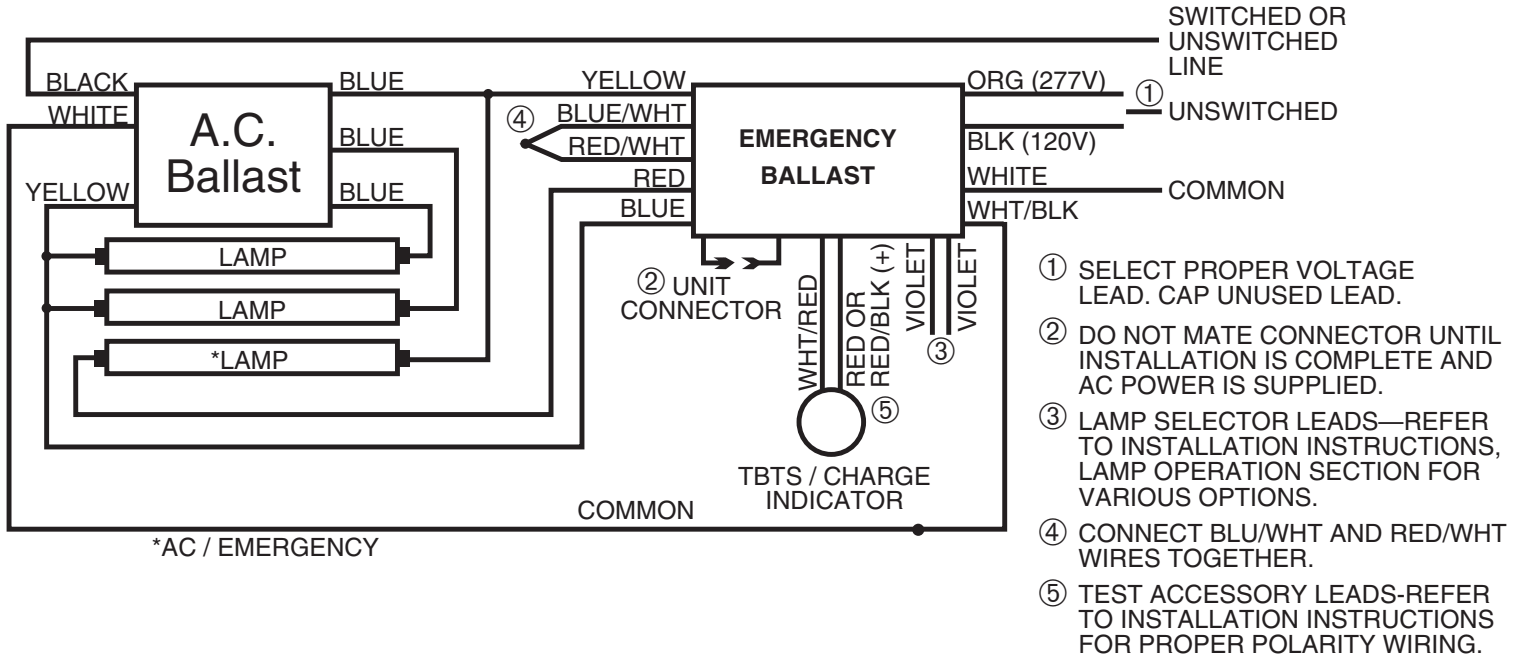


3BXLRSB\_80\_2

### NOTES

Blank area for notes.

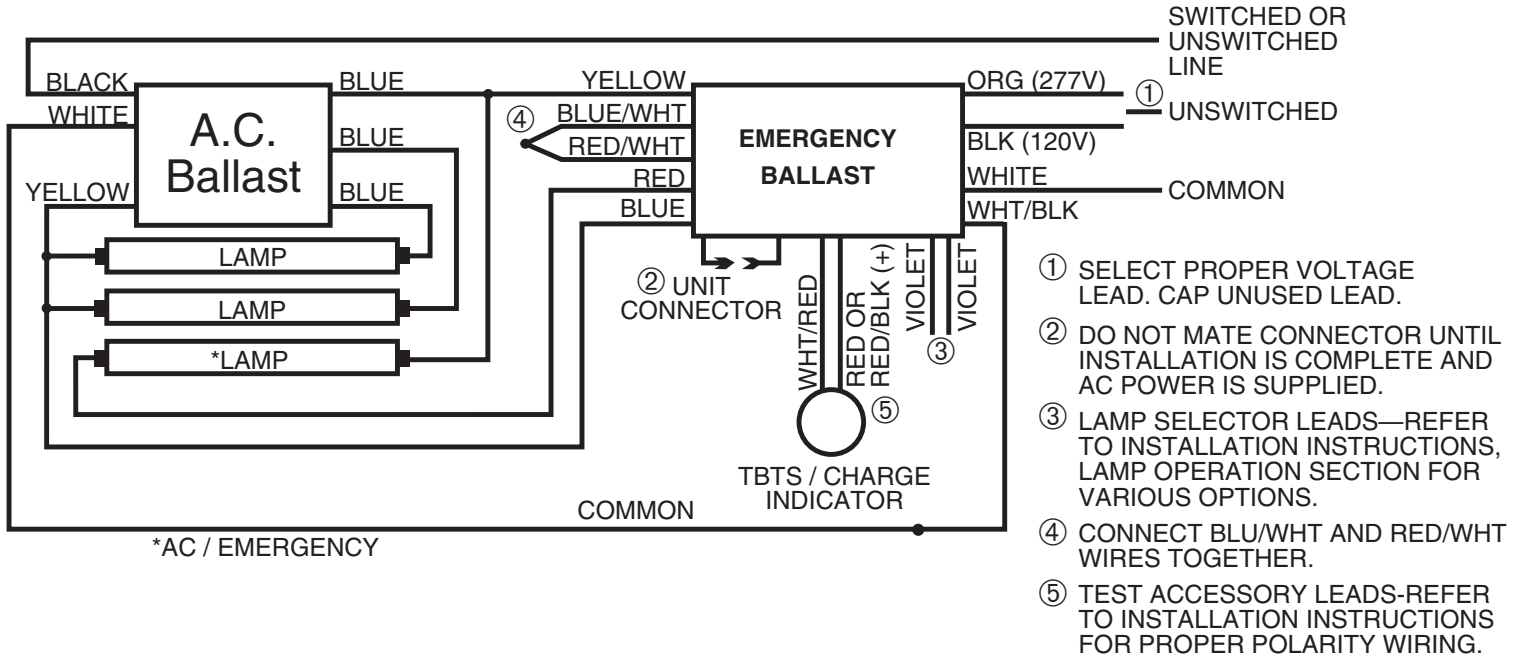
## THREE LAMP INSTANT START BALLAST



3LISB2\_80\_D

### NOTES

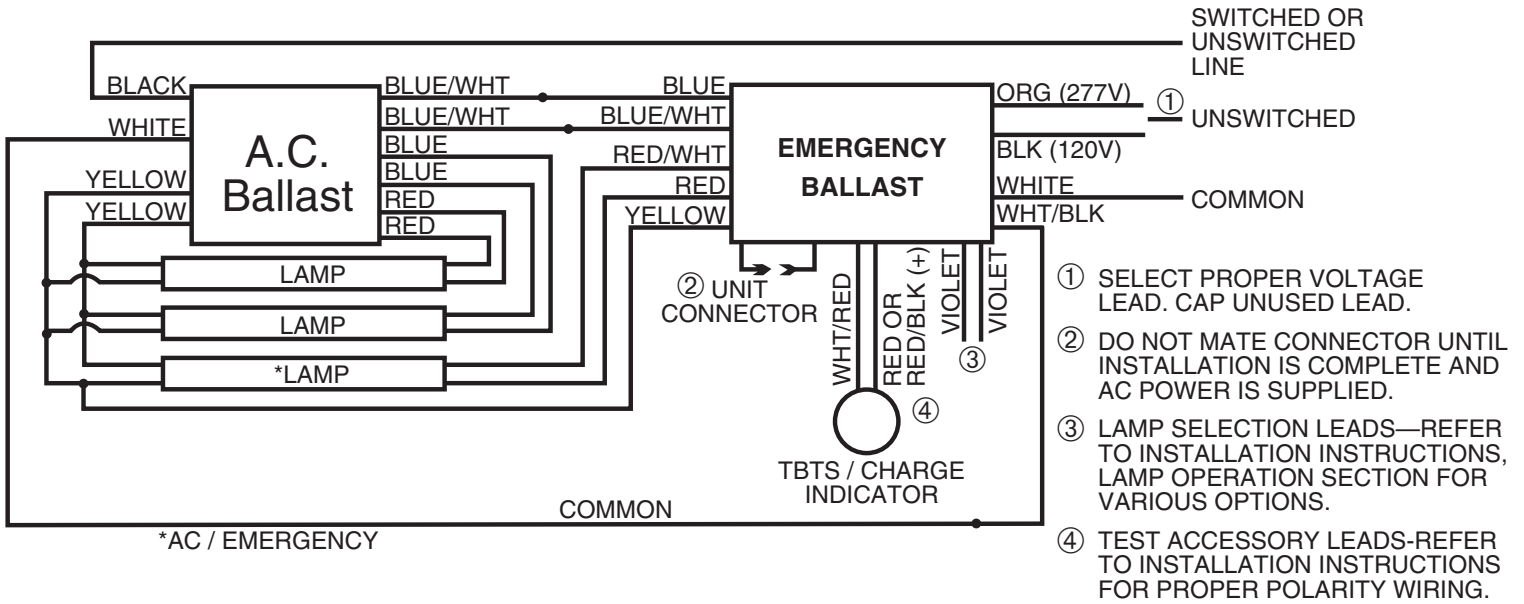
## THREE LAMP INSTANT START BALLAST



3LISB2\_80\_D

### NOTES

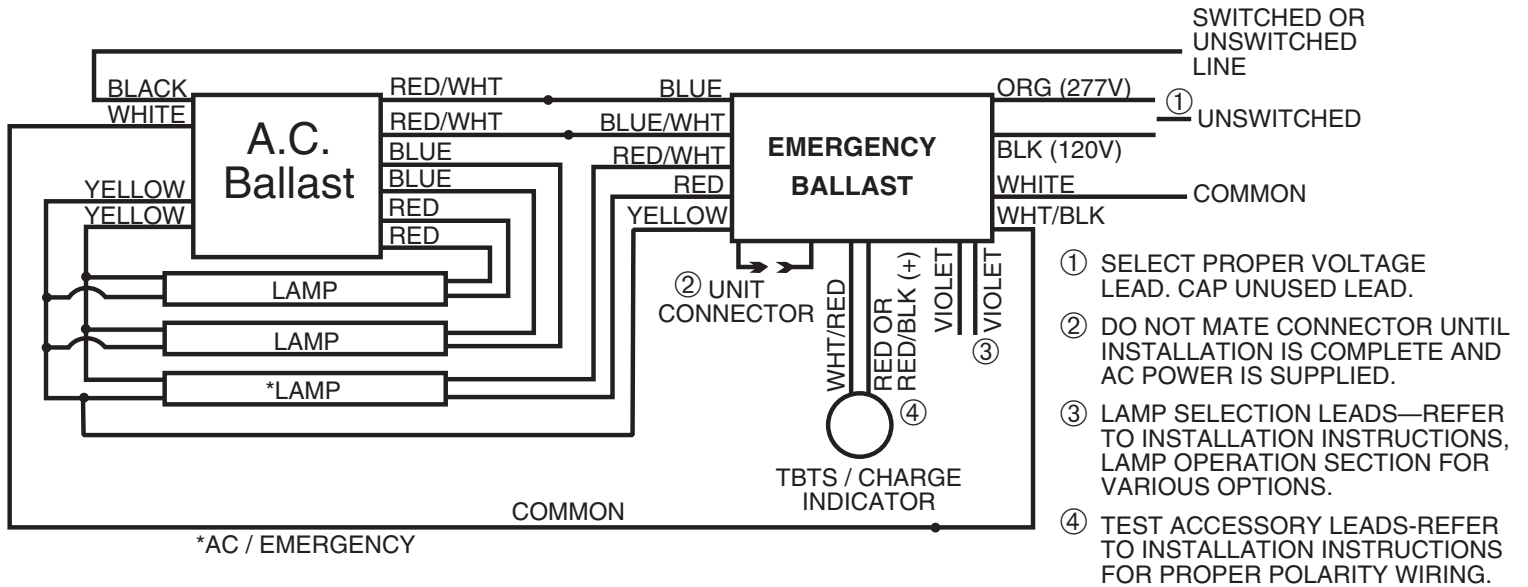
## THREE LAMP RAPID START BALLAST



3LRSB2\_80\_D

### NOTES

## THREE LAMP RAPID START BALLAST

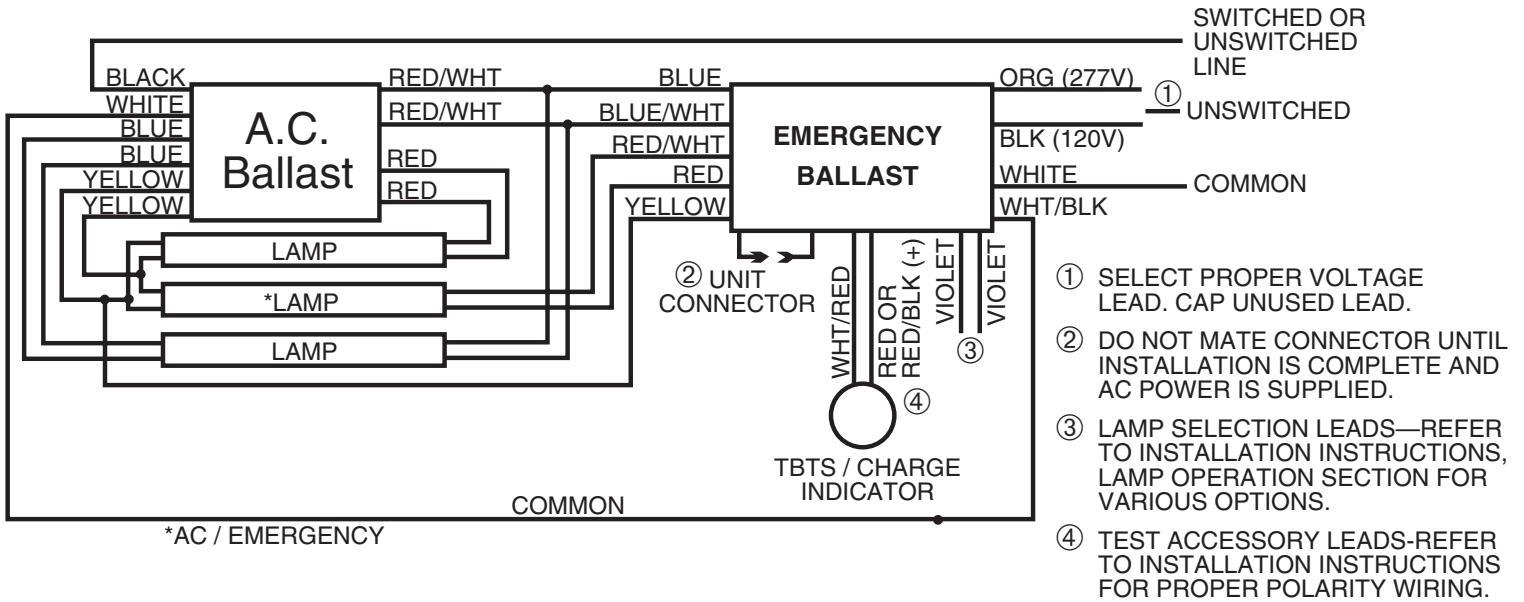


3LRSB3\_80\_D

### NOTES

Blank area for notes.

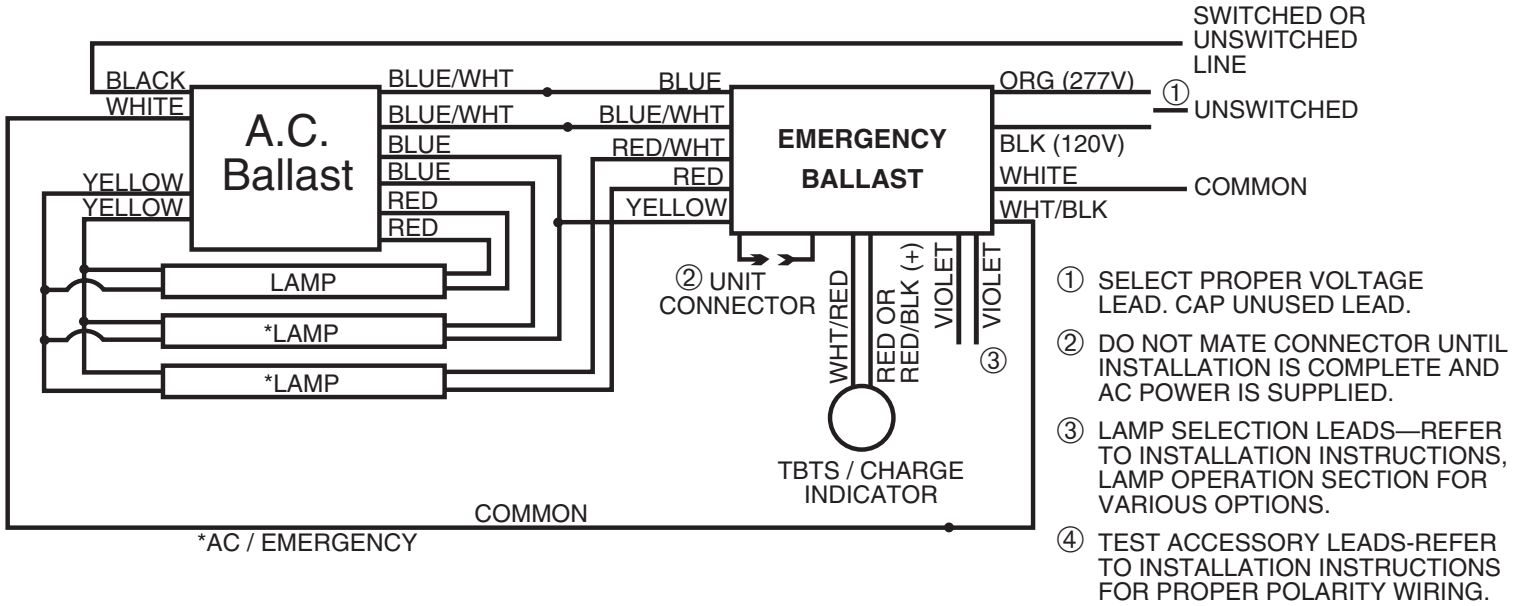
## THREE LAMP RAPID START BALLAST



3LRSB4\_80\_D

### NOTES

## THREE LAMP RAPID START BALLAST WITH TWO LAMP EMERGENCY OPERATION

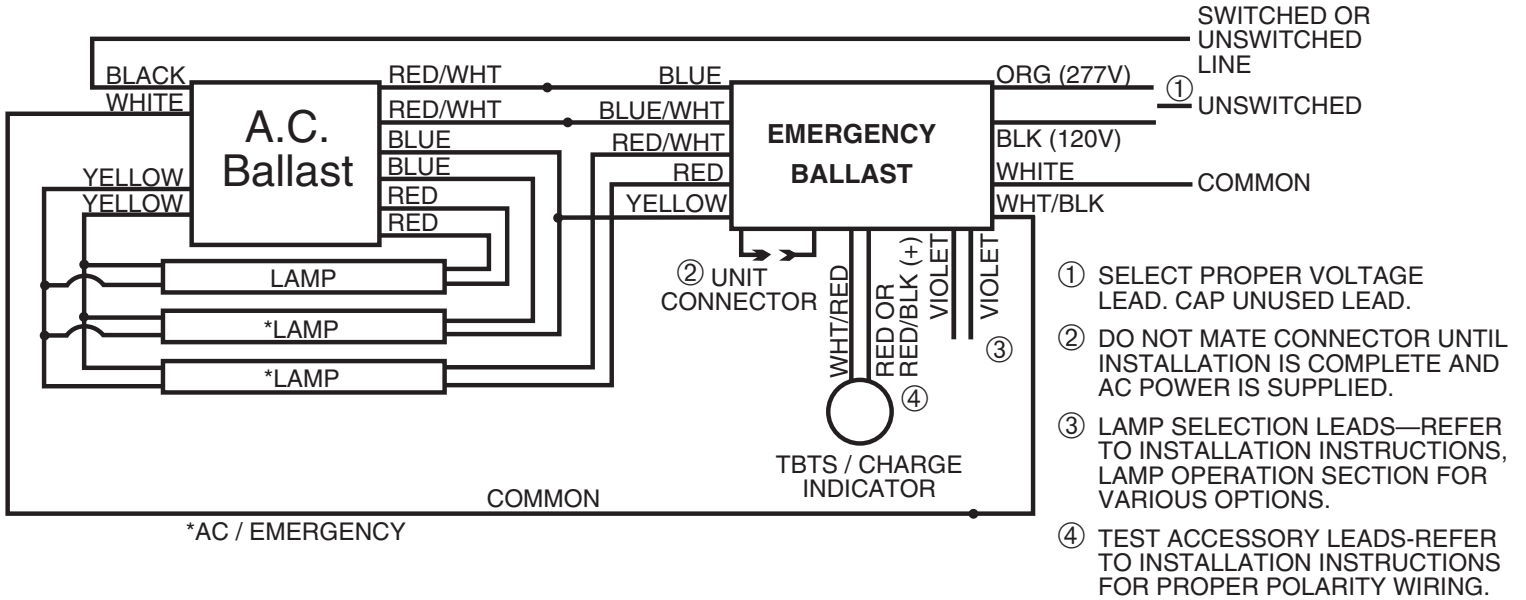


3LRSB\_2LEO2\_80\_D

### NOTES



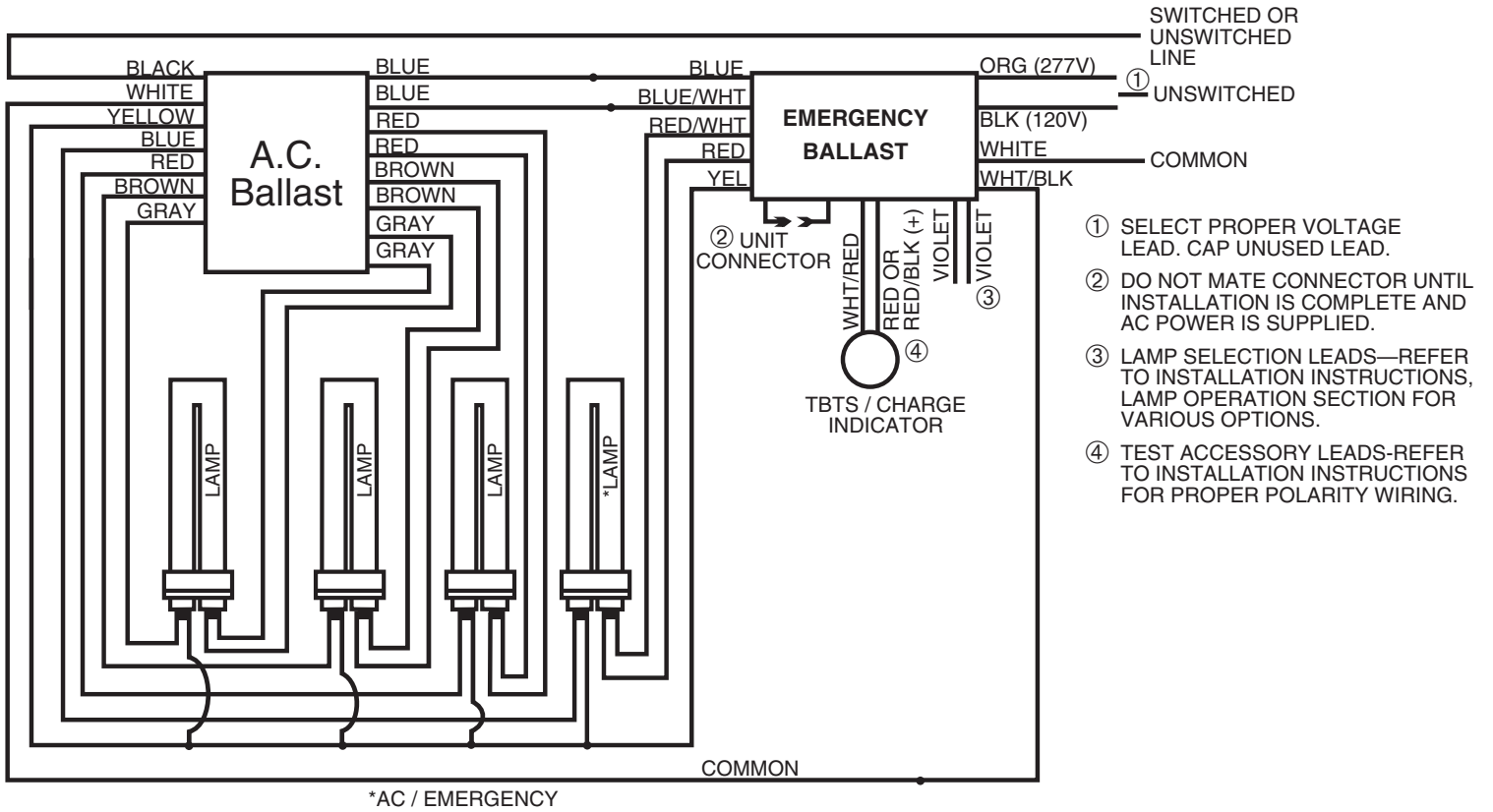
## THREE LAMP RAPID START BALLAST WITH TWO LAMP EMERGENCY OPERATION



3LRSB\_2LEO3\_80\_D

### NOTES

## FOUR LAMP BIAX RAPID START BALLAST

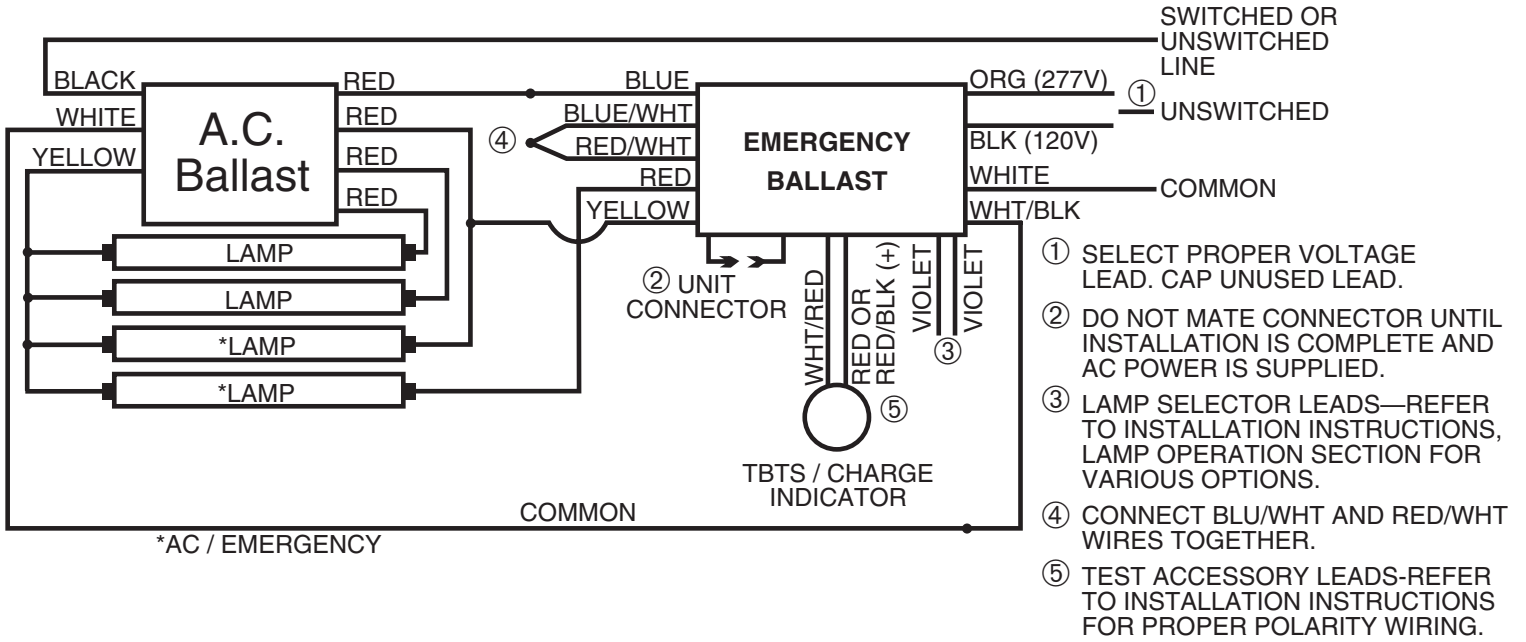


- ① SELECT PROPER VOLTAGE LEAD. CAP UNUSED LEAD.
- ② DO NOT MATE CONNECTOR UNTIL INSTALLATION IS COMPLETE AND AC POWER IS SUPPLIED.
- ③ LAMP SELECTION LEADS—REFER TO INSTALLATION INSTRUCTIONS, LAMP OPERATION SECTION FOR VARIOUS OPTIONS.
- ④ TEST ACCESSORY LEADS—REFER TO INSTALLATION INSTRUCTIONS FOR PROPER POLARITY WIRING.

4LBR5B\_80\_D

### NOTES

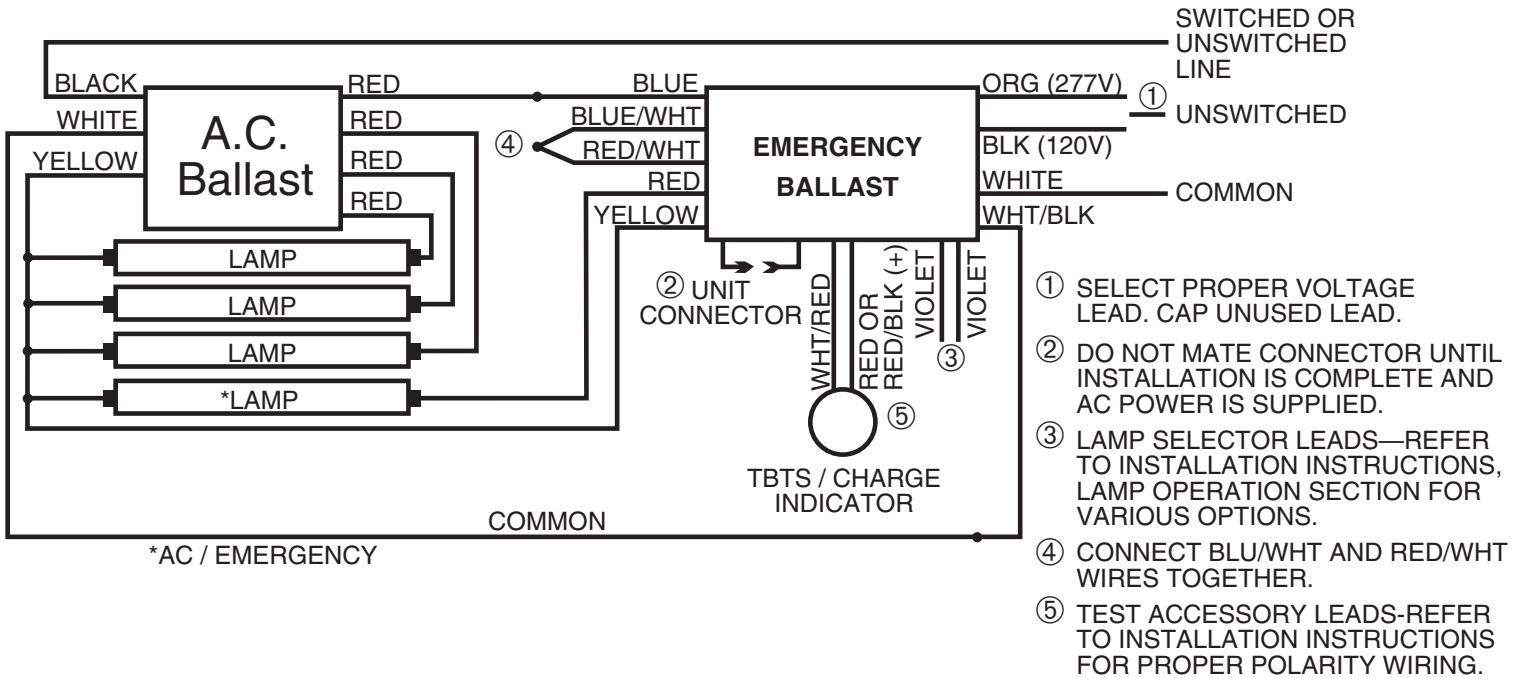
## FOUR LAMP FULLHAM BALLAST WITH TWO LAMP EMERGENCY OPERATION



4LFB\_80\_2LEO\_D

### NOTES

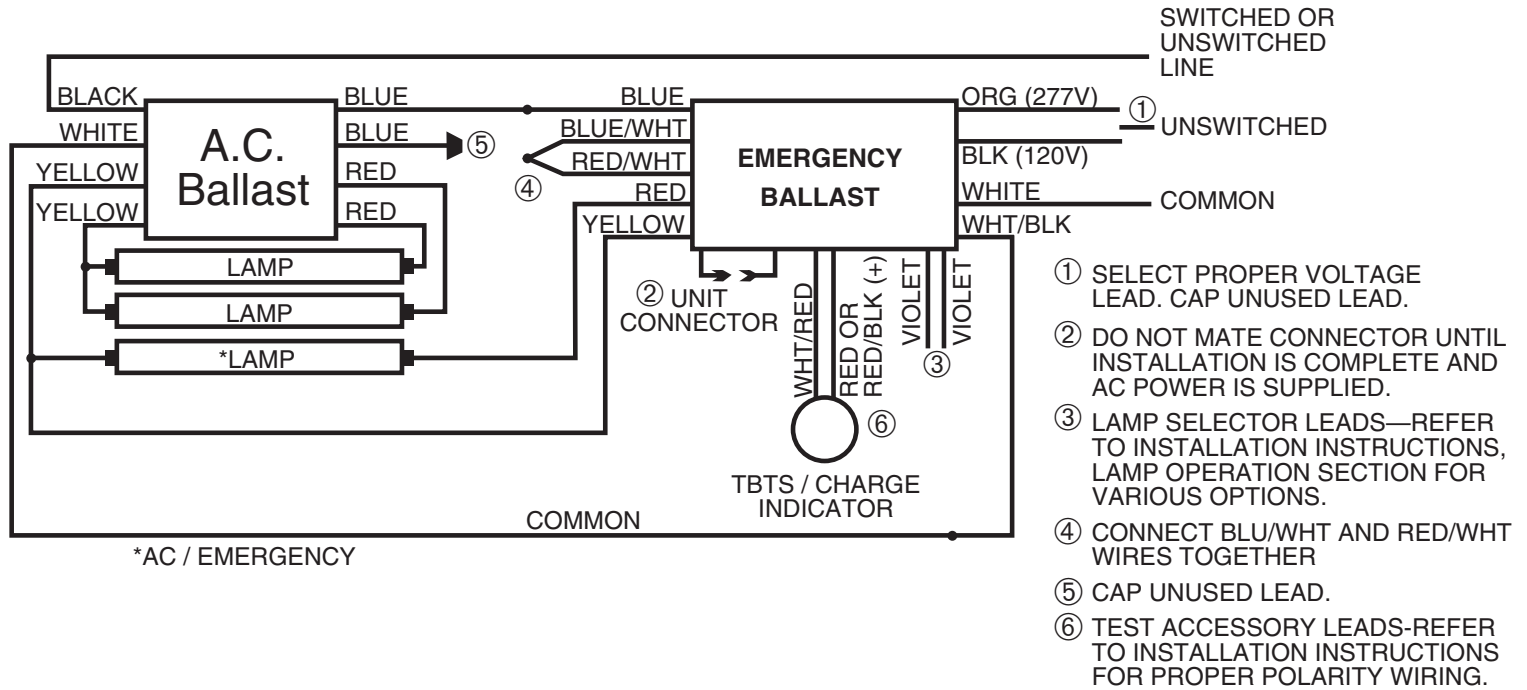
## FOUR LAMP FULLHAM BALLAST



4LFB\_80\_D

### NOTES

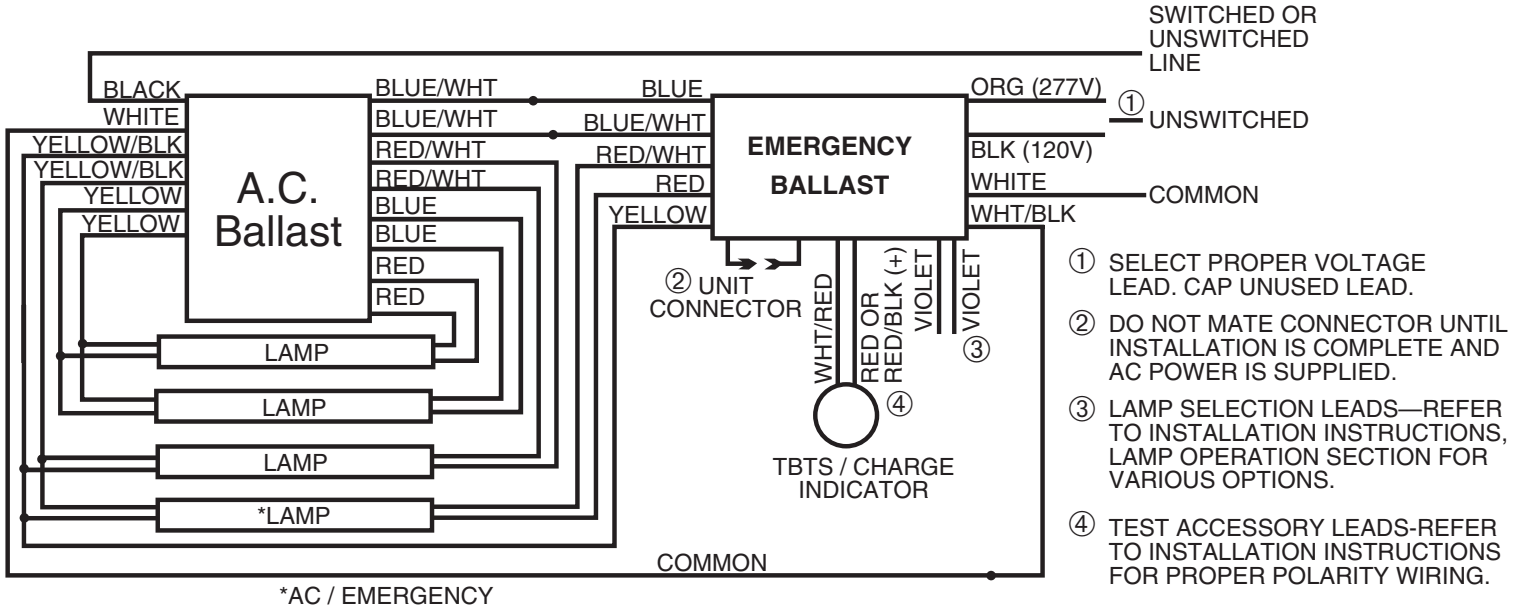
## FOUR LAMP INSTANT START BALLAST WITH THREE LAMPS ONLY



4LISB\_80\_2\_D

### NOTES

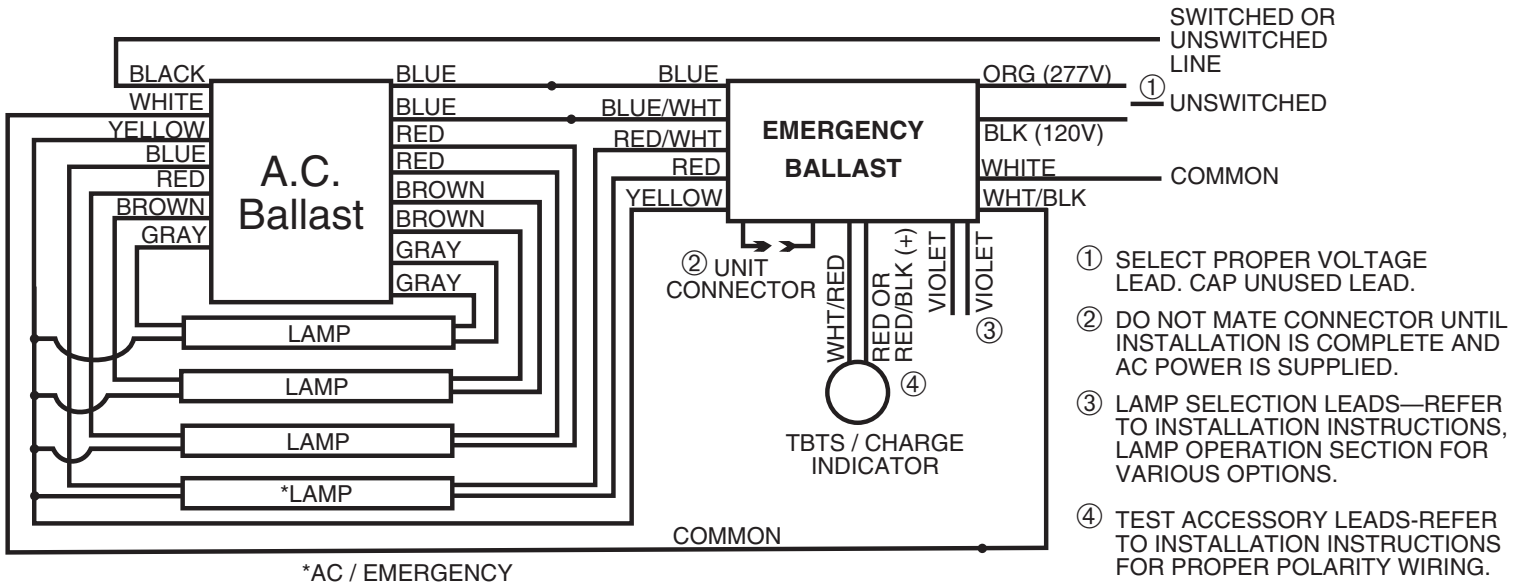
## FOUR LAMP RAPID START BALLAST



4LRSB2\_80\_D

### NOTES

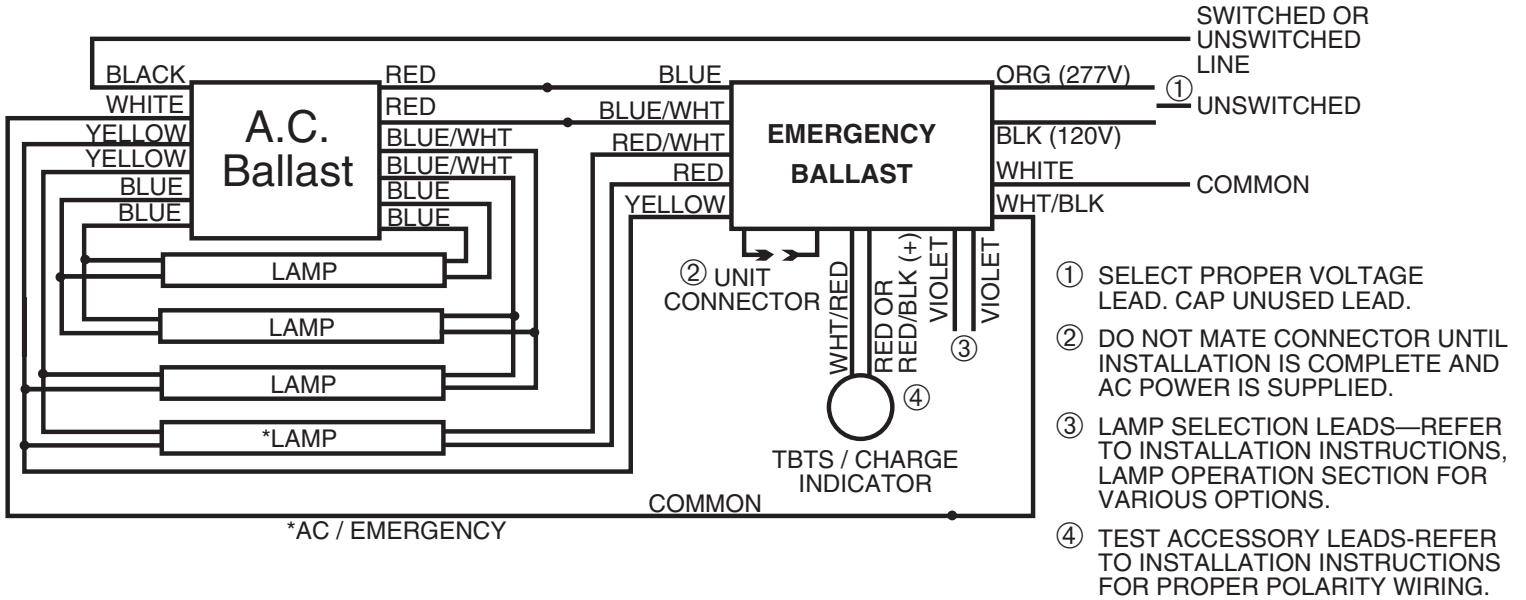
## FOUR LAMP RAPID START BALLAST



4LRB3\_80\_D

### NOTES

## FOUR LAMP RAPID START BALLAST

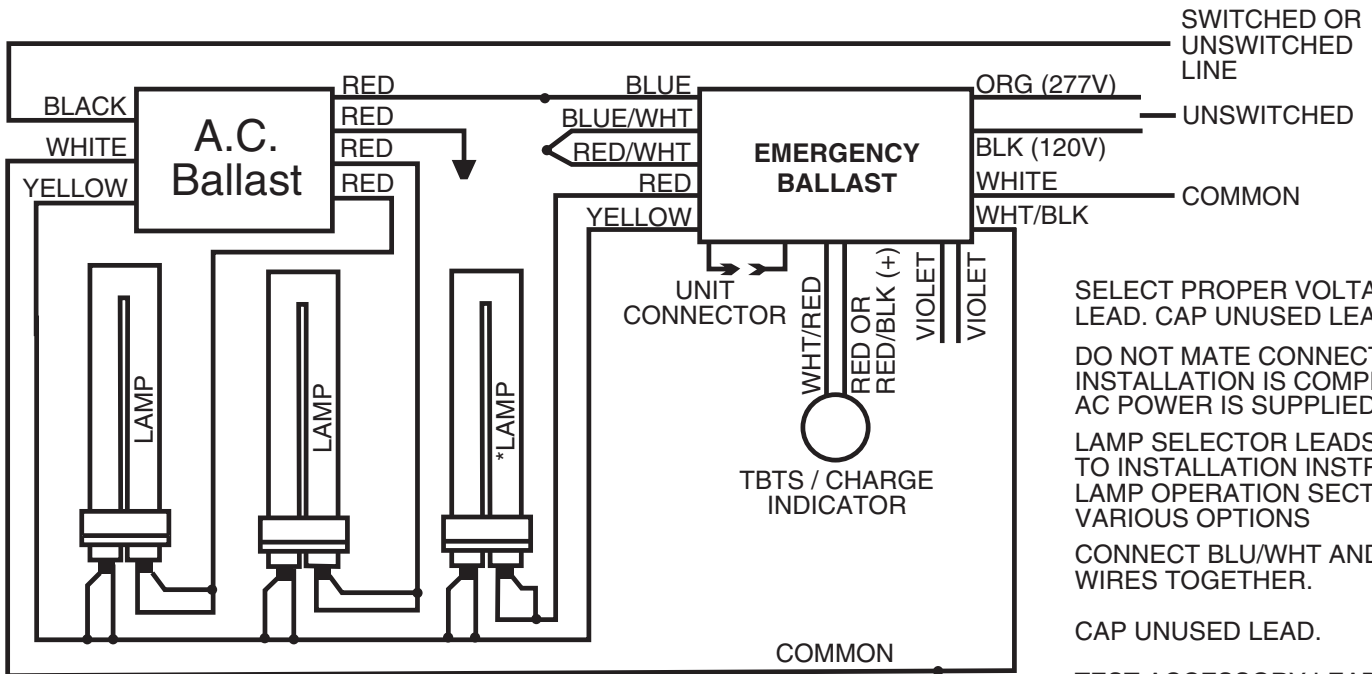


4LRSB4\_80\_D

### NOTES



## FULHAM WORKHORSE BALLAST



\*AC / EMERGENCY

SELECT PROPER VOLTAGE LEAD. CAP UNUSED LEAD.

DO NOT MATE CONNECTOR UNTIL INSTALLATION IS COMPLETE AND AC POWER IS SUPPLIED.

LAMP SELECTOR LEADS - REFER TO INSTALLATION INSTRUCTIONS, LAMP OPERATION SECTION FOR VARIOUS OPTIONS

CONNECT BLU/WHT AND RED/WHT WIRES TOGETHER.

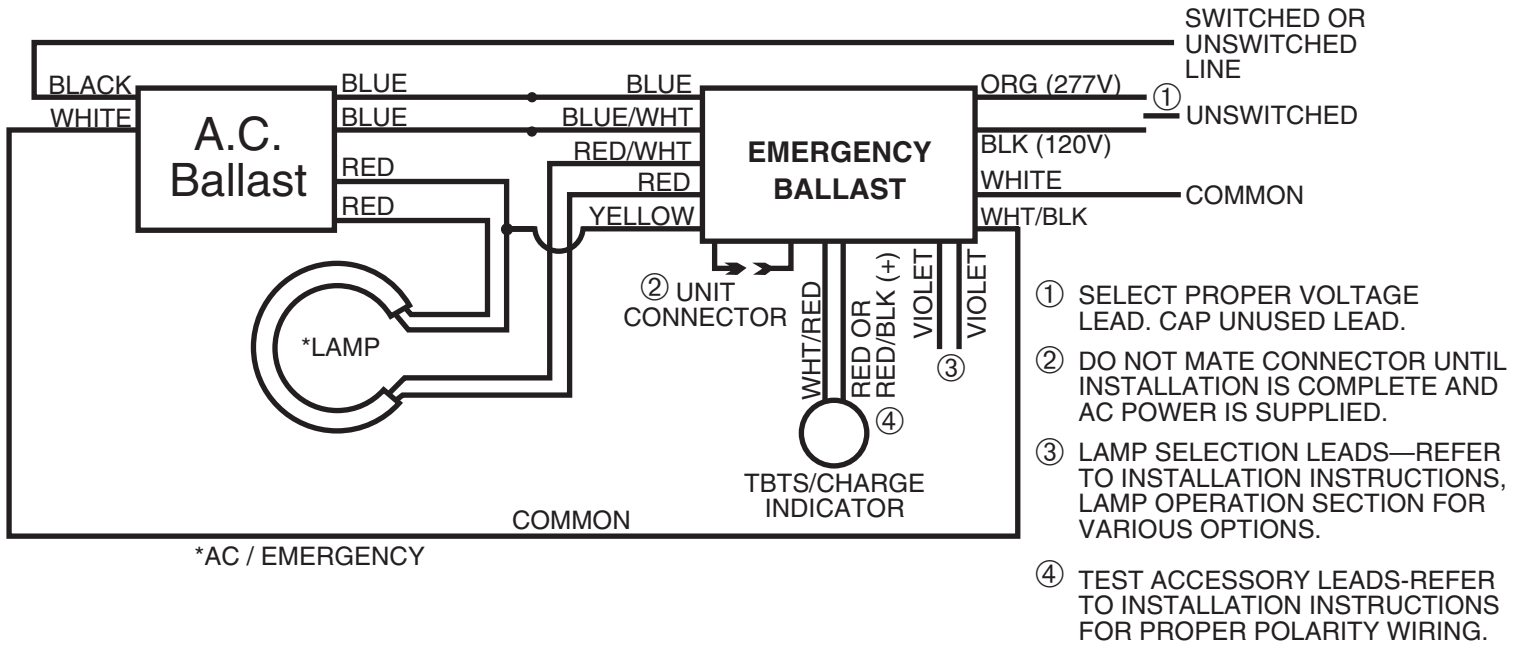
CAP UNUSED LEAD.

TEST ACCESSORY LEADS-REFER TO INSTALLATION INSTRUCTIONS FOR PROPER POLARITY WIRING.

FWB\_80\_D

### NOTES

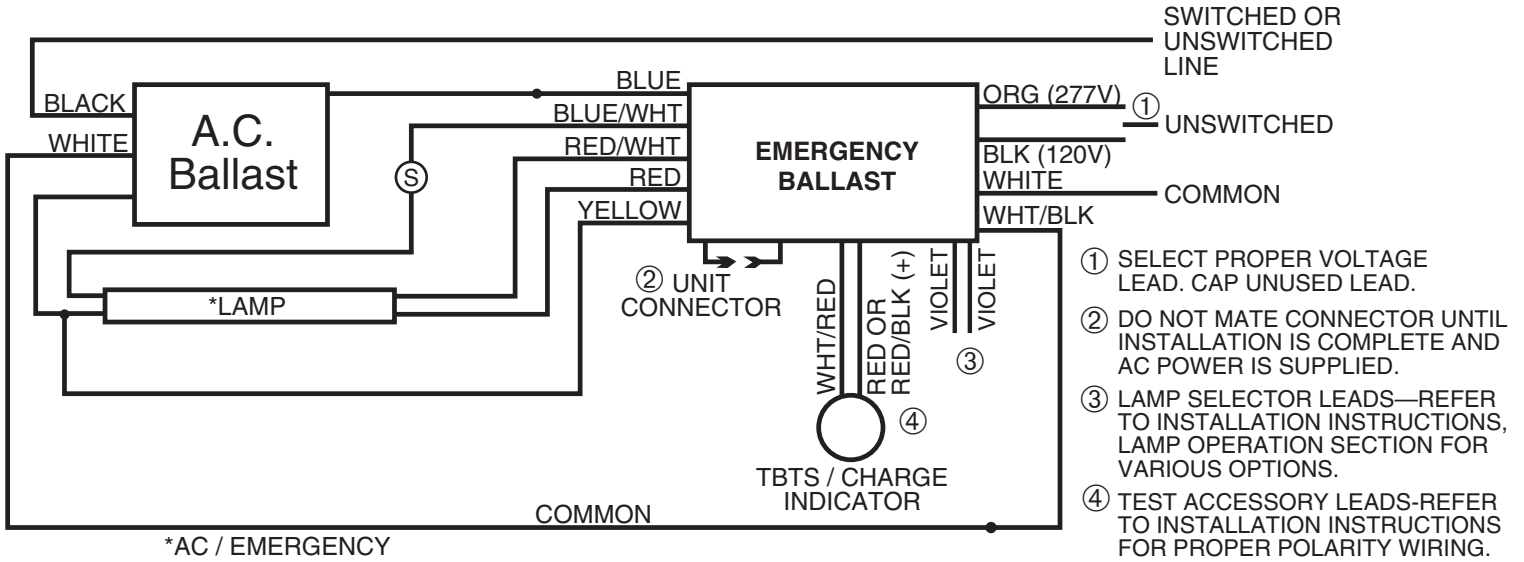
## ONE LAMP CIRCLINE RAPID START BALLAST



1LCRSB\_80\_2\_D

### NOTES

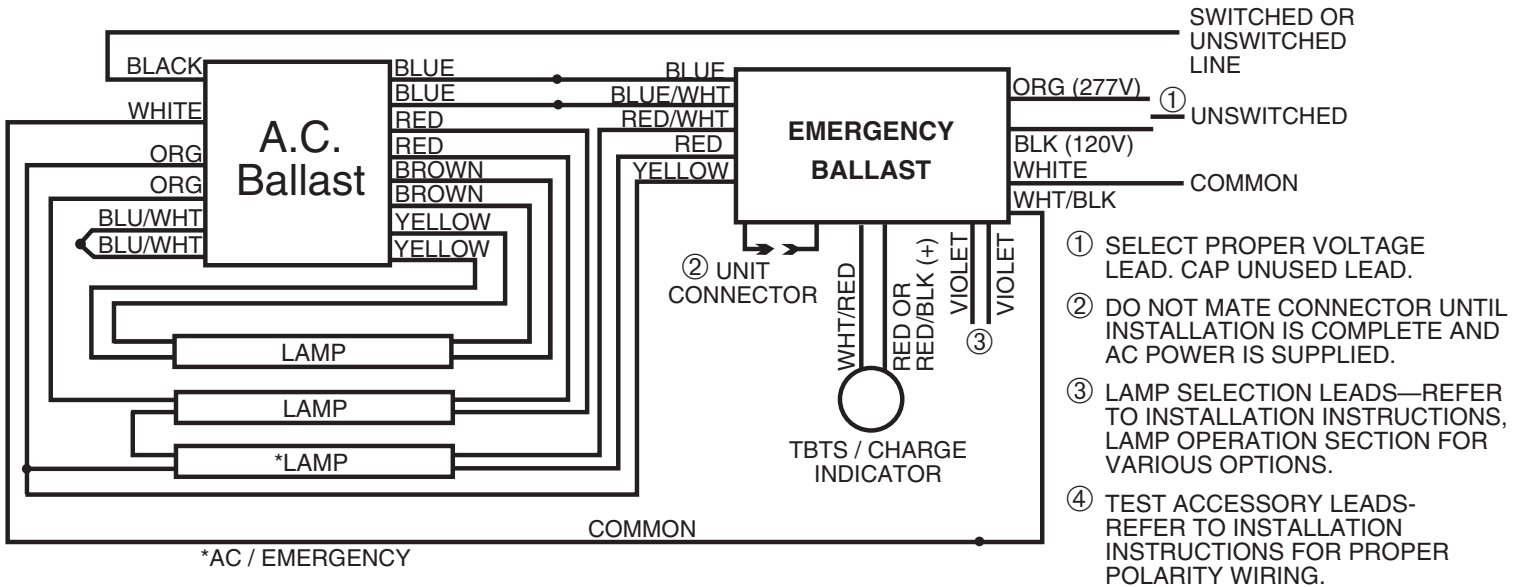
## ONE LAMP EMERGENCY BALLAST



1LEB\_D

### NOTES

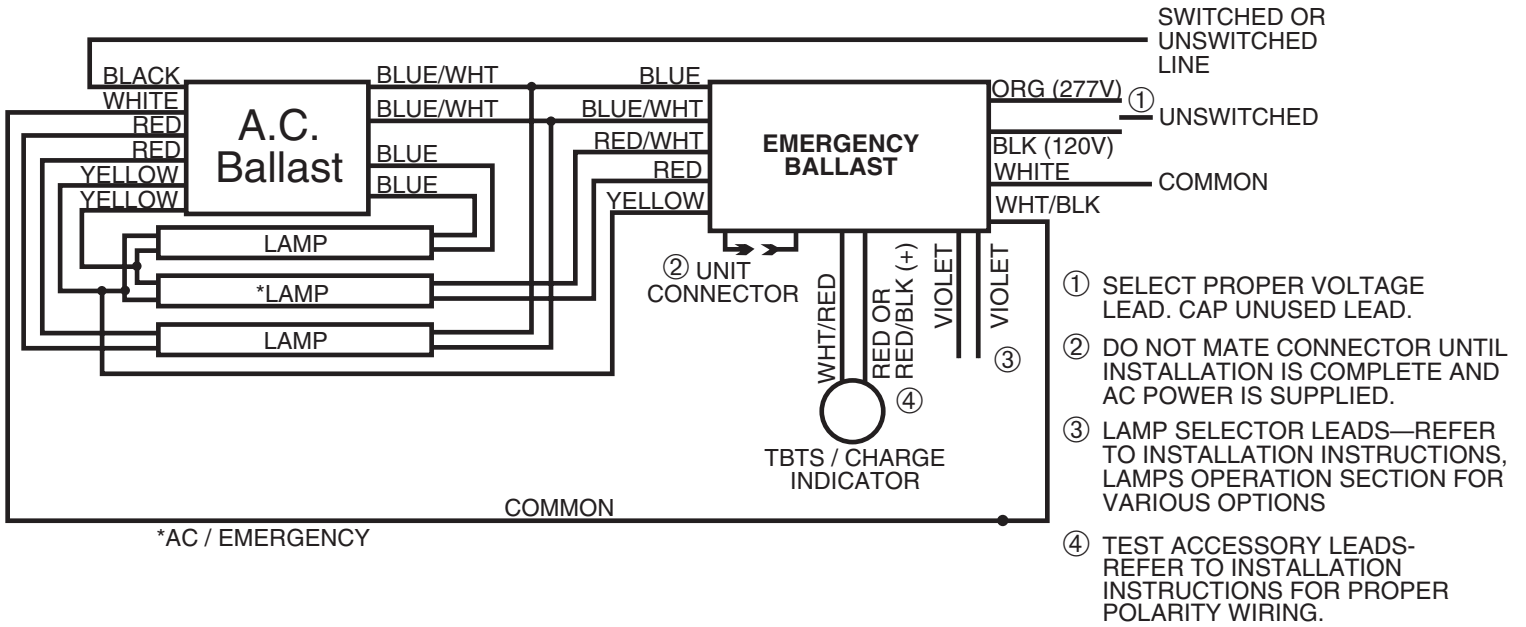
## THREE LAMP RAPID START BALLAST



3\_LRSB\_D

### NOTES

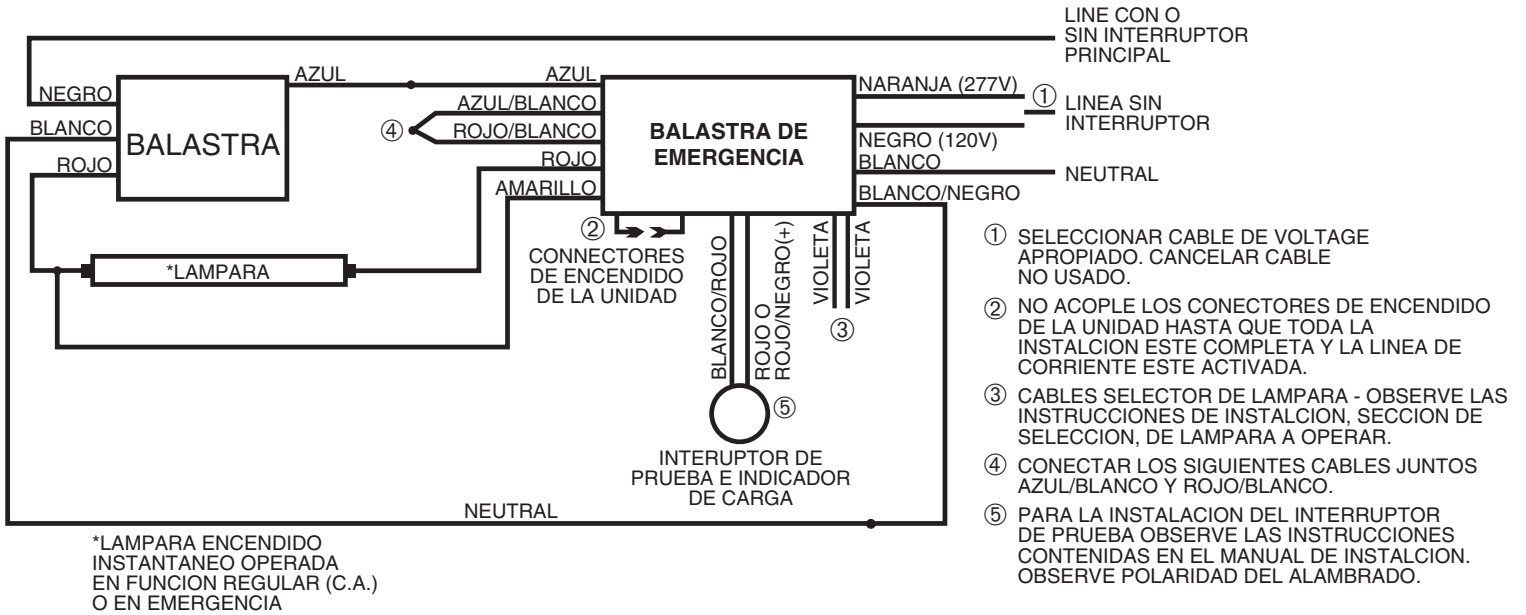
## THREE LAMP RAPID START BALLAST



3LRSB\_D\_2

### NOTES

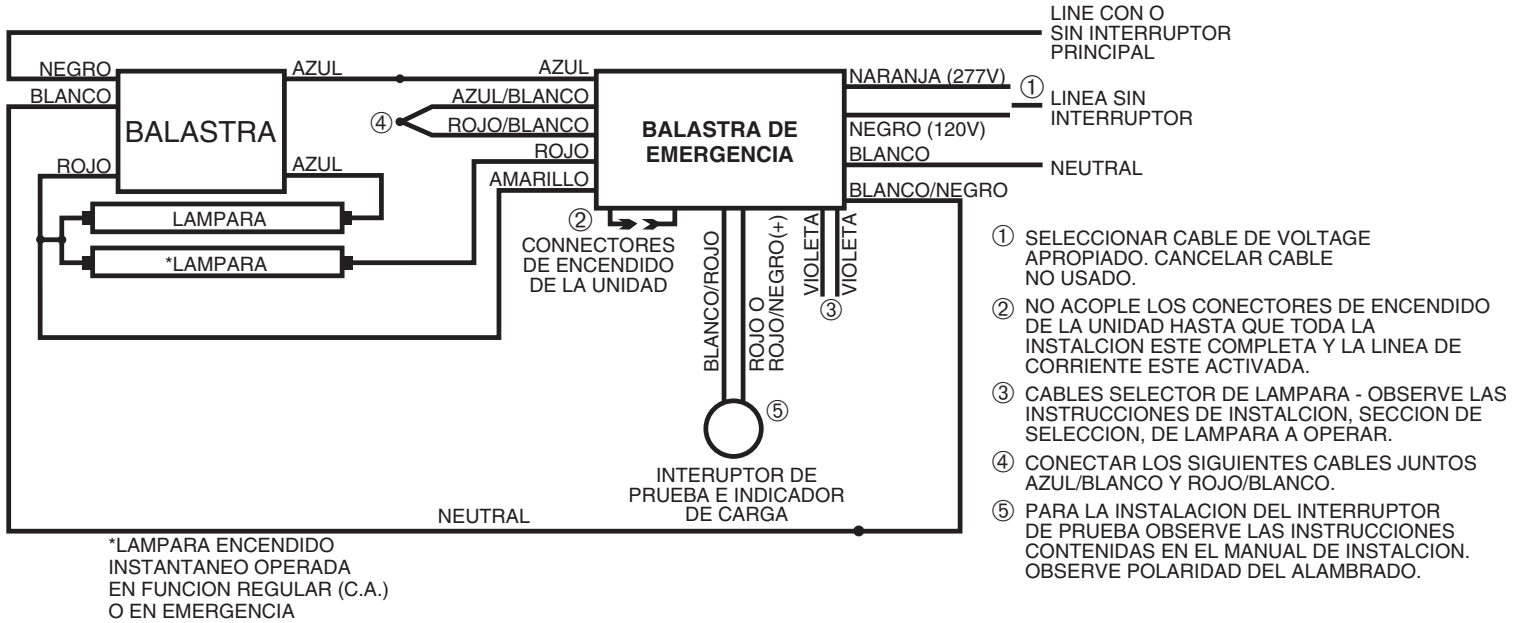
## INSTALACION CON UNA SOLO LAMPARA DE ENCENDIDO INSTANTANEO (INSTANT START LAMP)



1LISB\_D\_SP

### NOTES

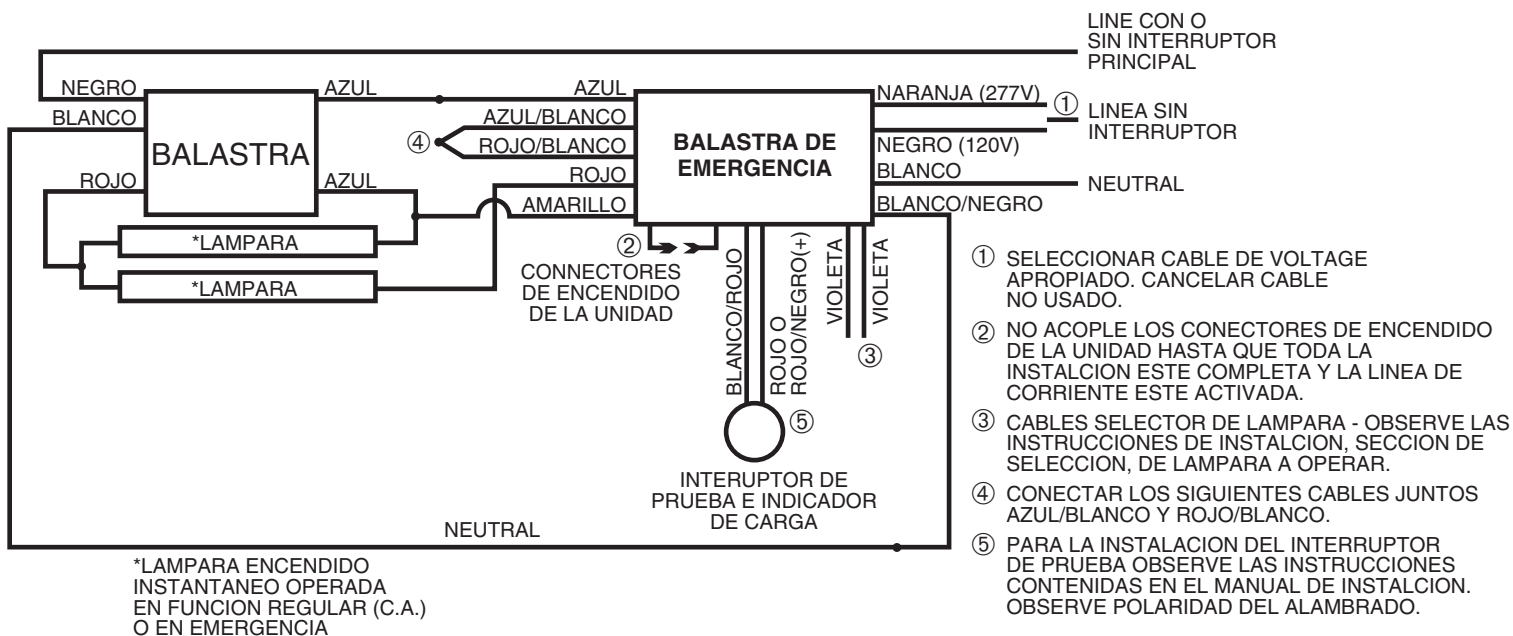
## INSTALACION CON DOS LAMPARAS DE ENCENDIDO INSTANTANEO



2LISB\_2\_D\_SP

### NOTES

## INSTALACION CON DOS LAMPARAS DE ENCENDIDO INSTANTANEO CON OPERACION DE EMERGENCIA DE DOS LAMPARAS



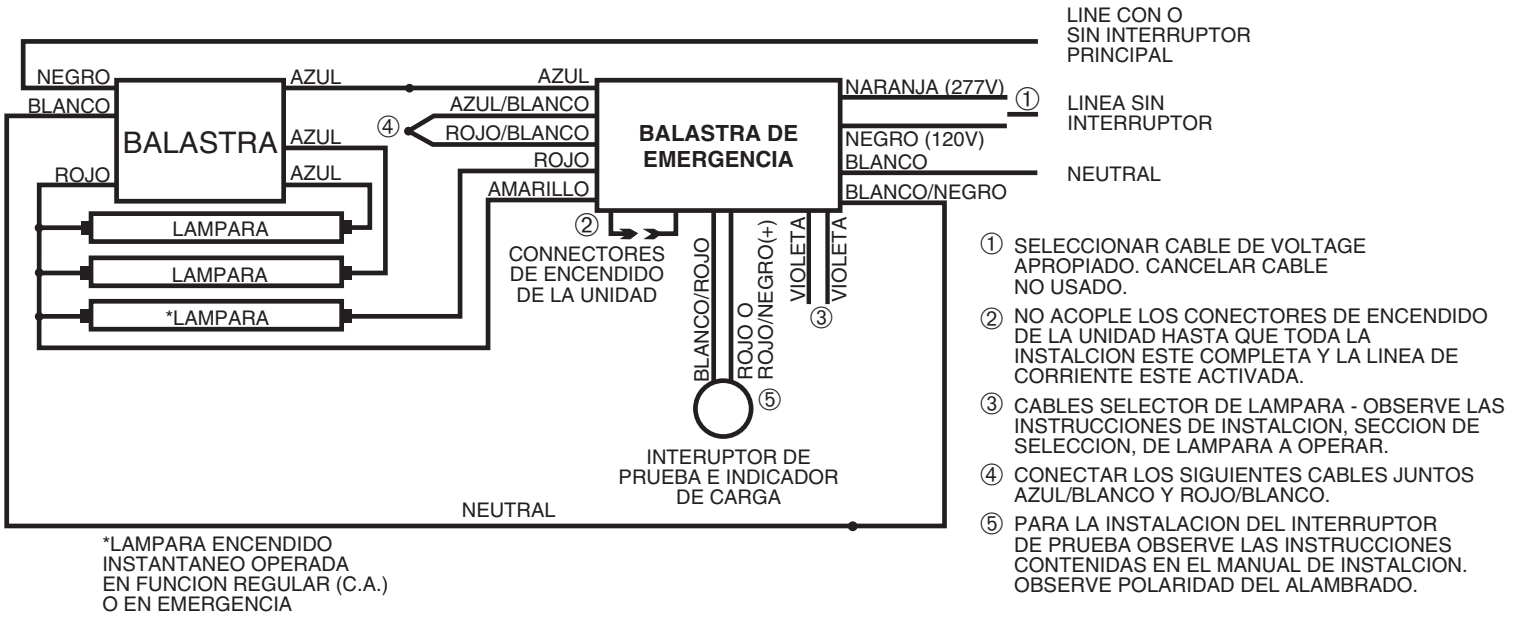
2LISB\_2LEO\_80\_D\_SP

### NOTES

Empty space for notes.



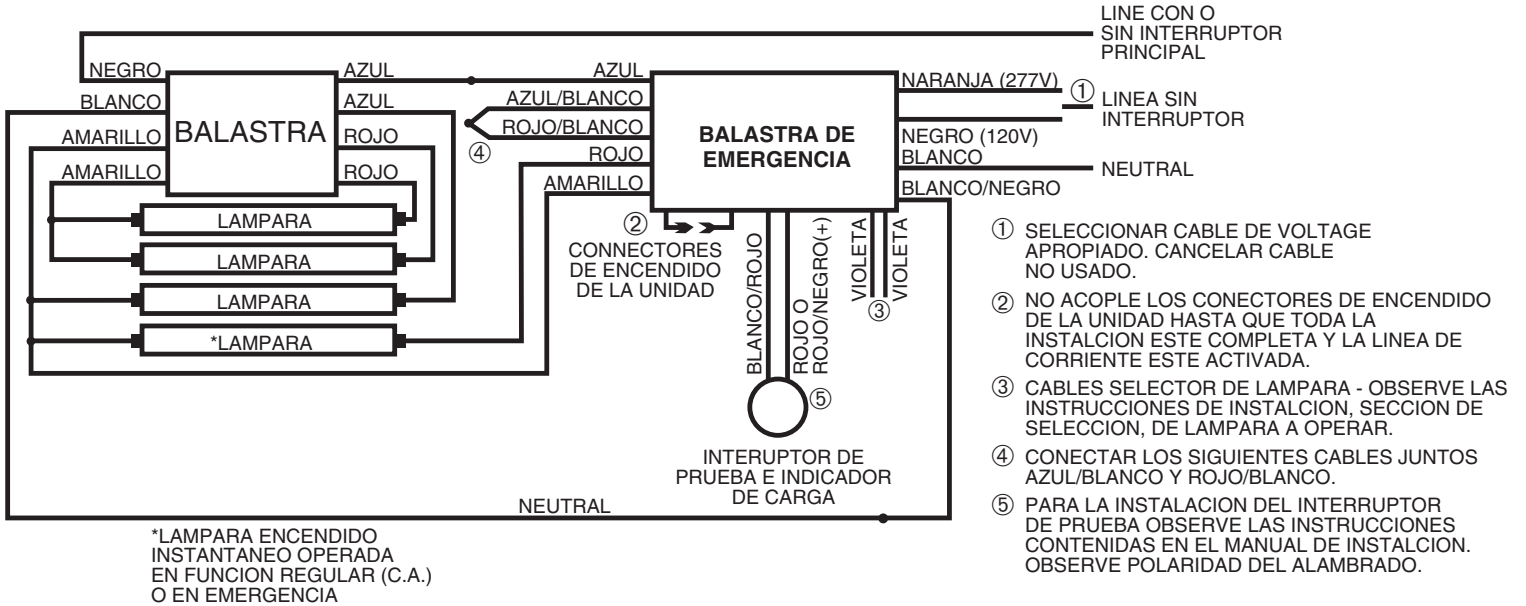
## INSTALACION CON TRES LAMPARAS DE ENCENDIDO INSTANTANEO



3LISB\_D\_SP

### NOTES

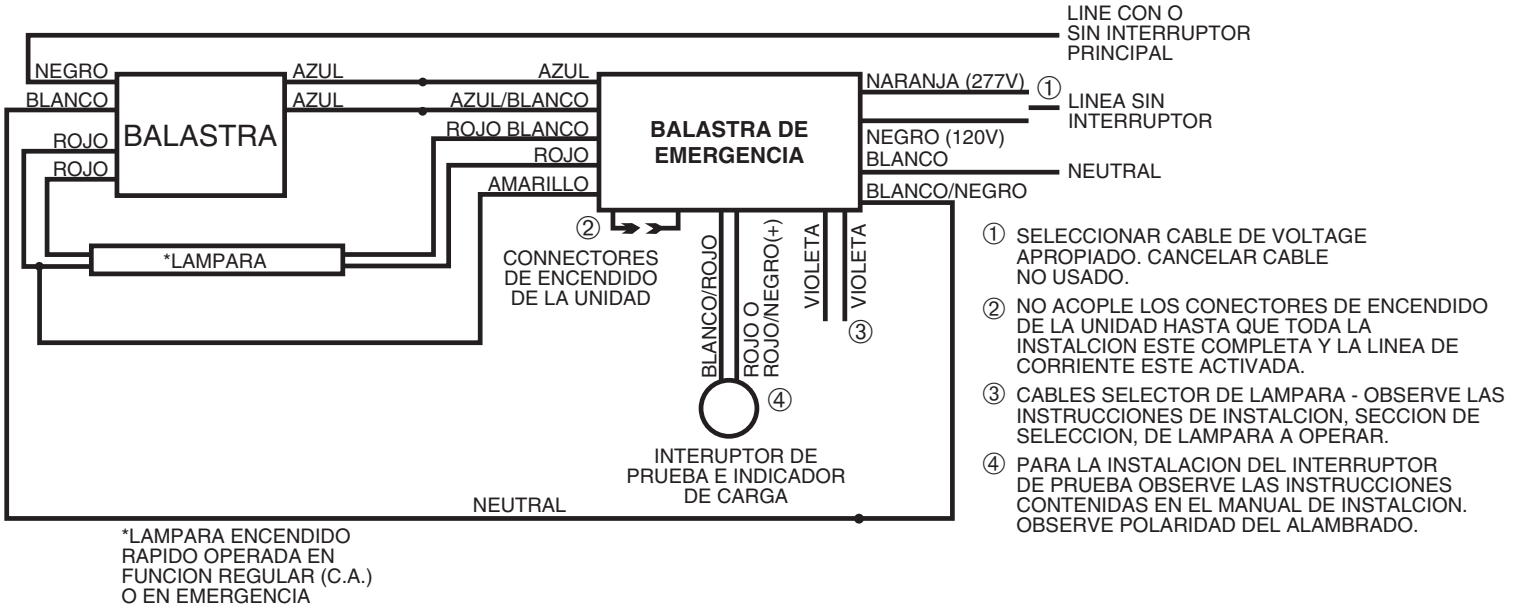
## INSTALACION CON CUATRO LAMPARAS DE ENCENDIDO INSTANTANEO



4LISB\_D\_SP

### NOTES

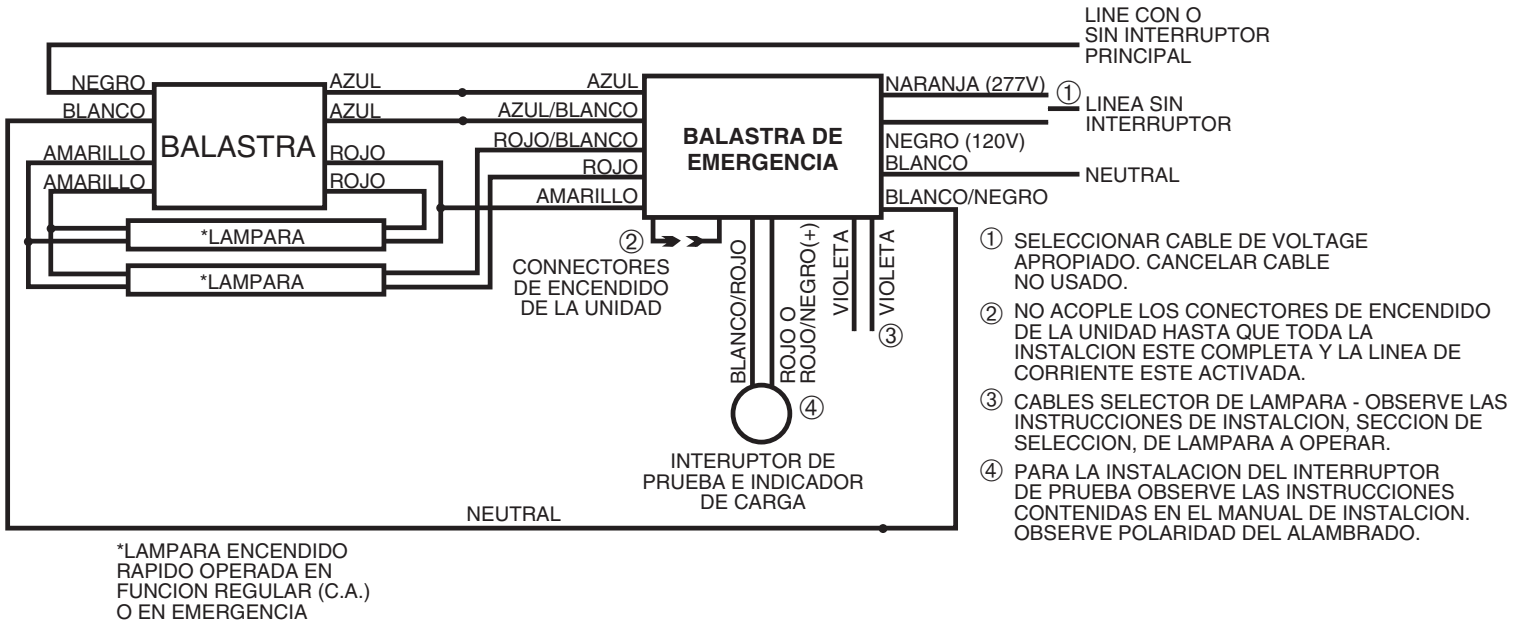
## INSTALACION CON UNA SOLA LAMPARA DE ENCENDIDO RAPIDO (RAPID START LAMP)



1LRSB\_D\_SP

### NOTES

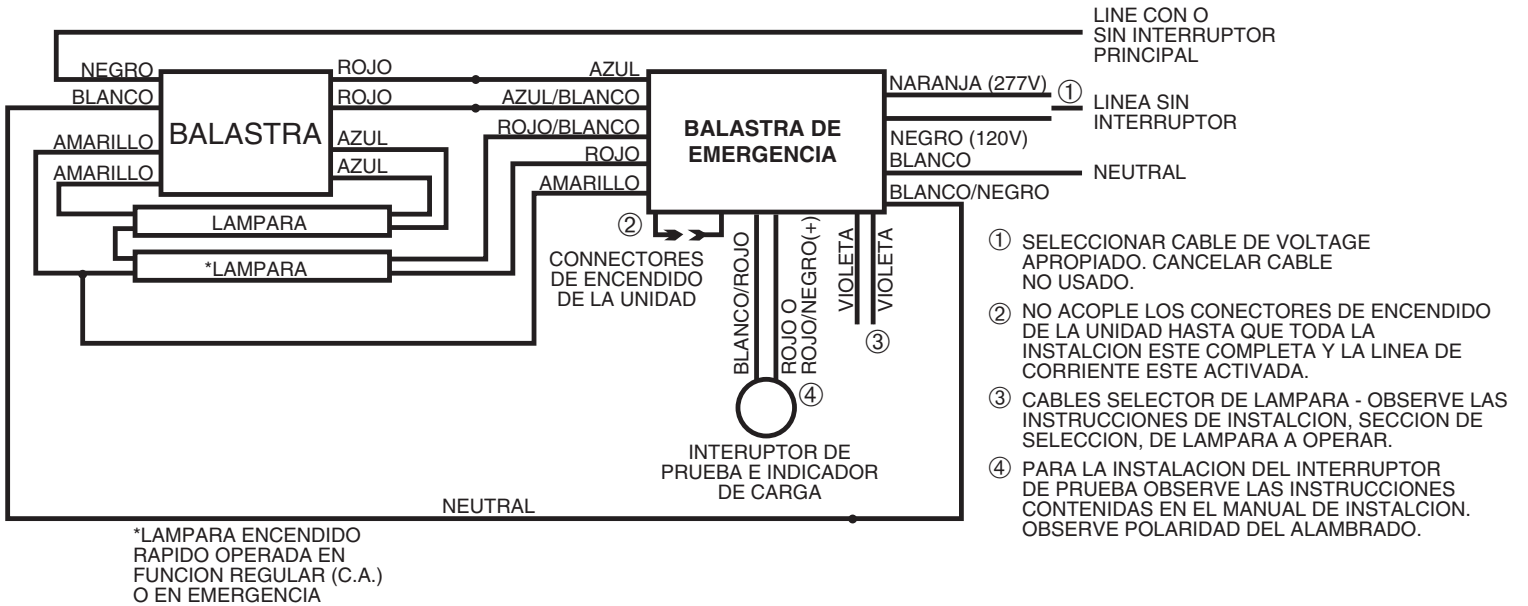
## INSTALACION CON DOS LAMPARAS DE ENCENDIDO RAPIDO CON OPERACION DE EMERGENCIA DE DOS LAMPARAS



2LRSB\_2LEO\_80\_D\_SP

### NOTES

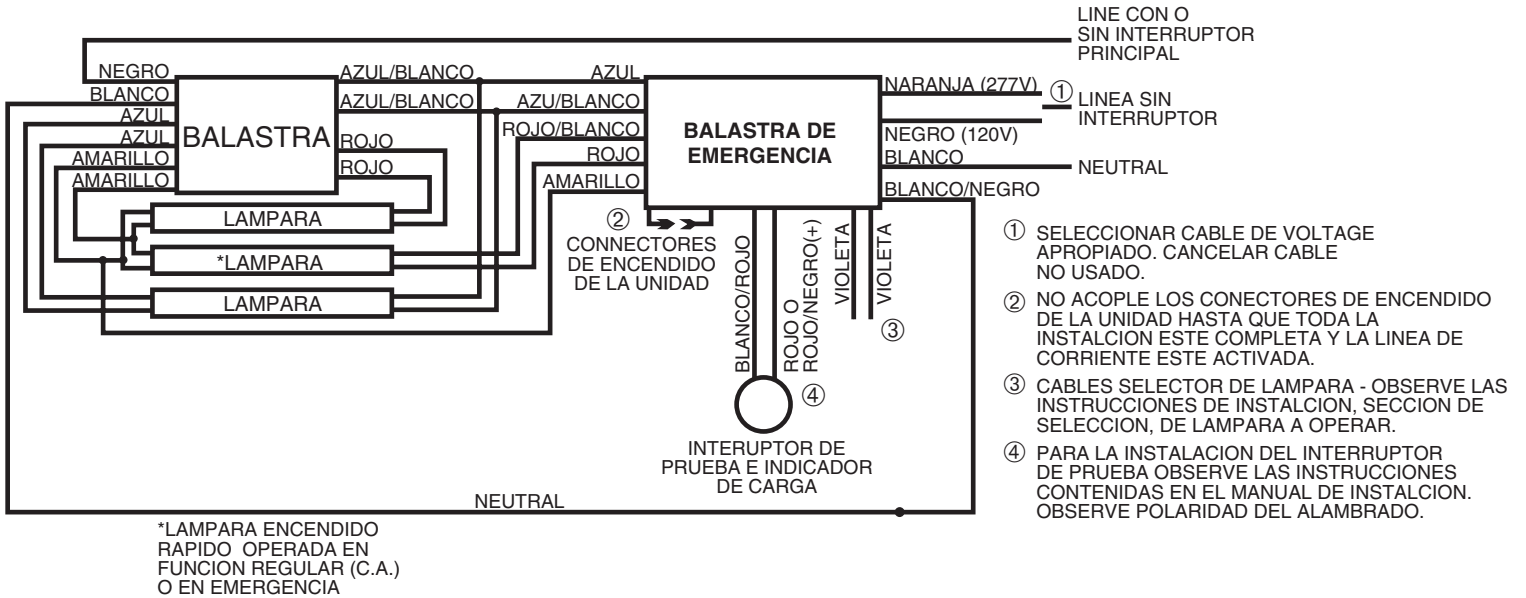
## INSTALACION CON DOS LAMPARAS DE ENCENDIDO RAPIDO



2LR5B\_D\_5\_SP

### NOTES

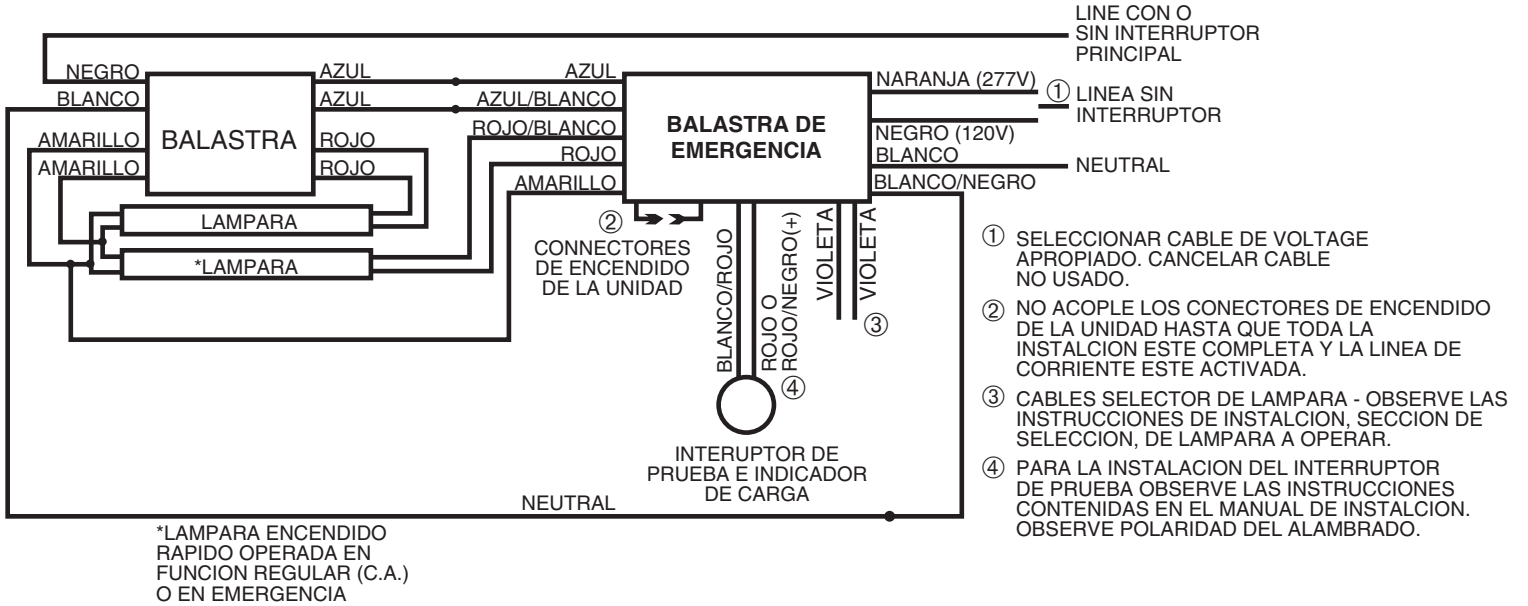
## INSTALACION CON TRES LAMPARAS DE ENCENDIDO RAPIDO



3LRSB\_D\_SP

### NOTES

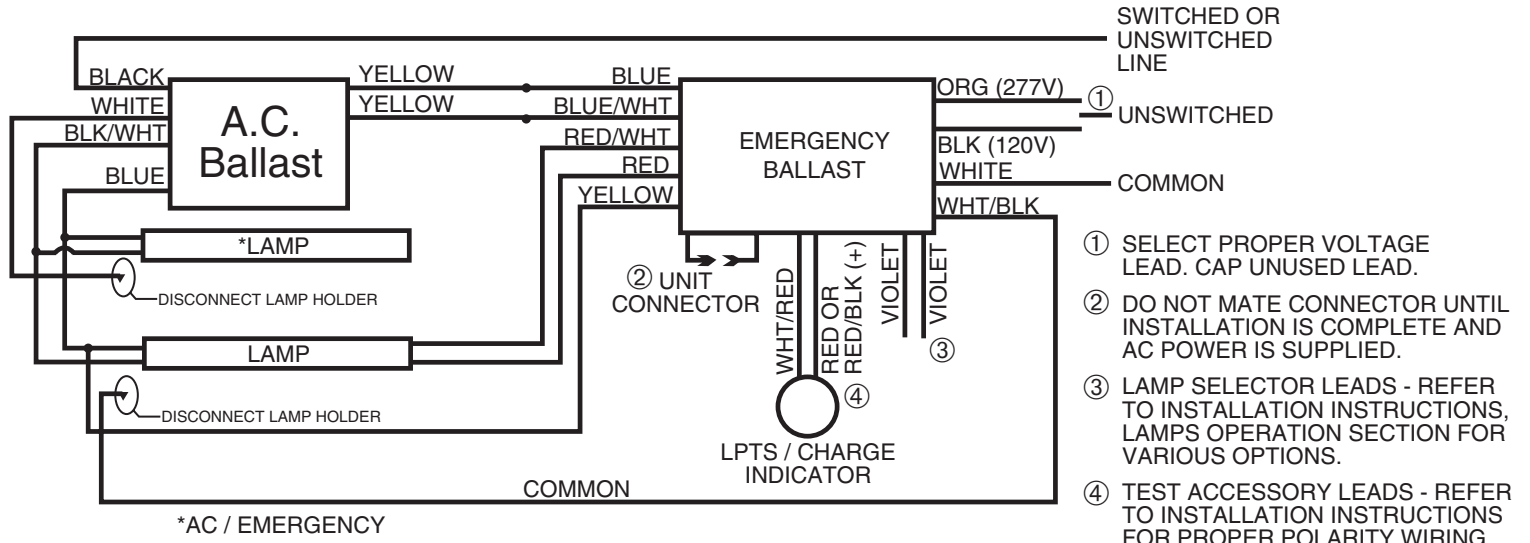
## INSTALACION CON UNA SOLA LAMPARA DE ENCENDIDO RAPIDO



2LRSB\_D\_SP

### NOTES

## TWO LAMP LAG BALLAST

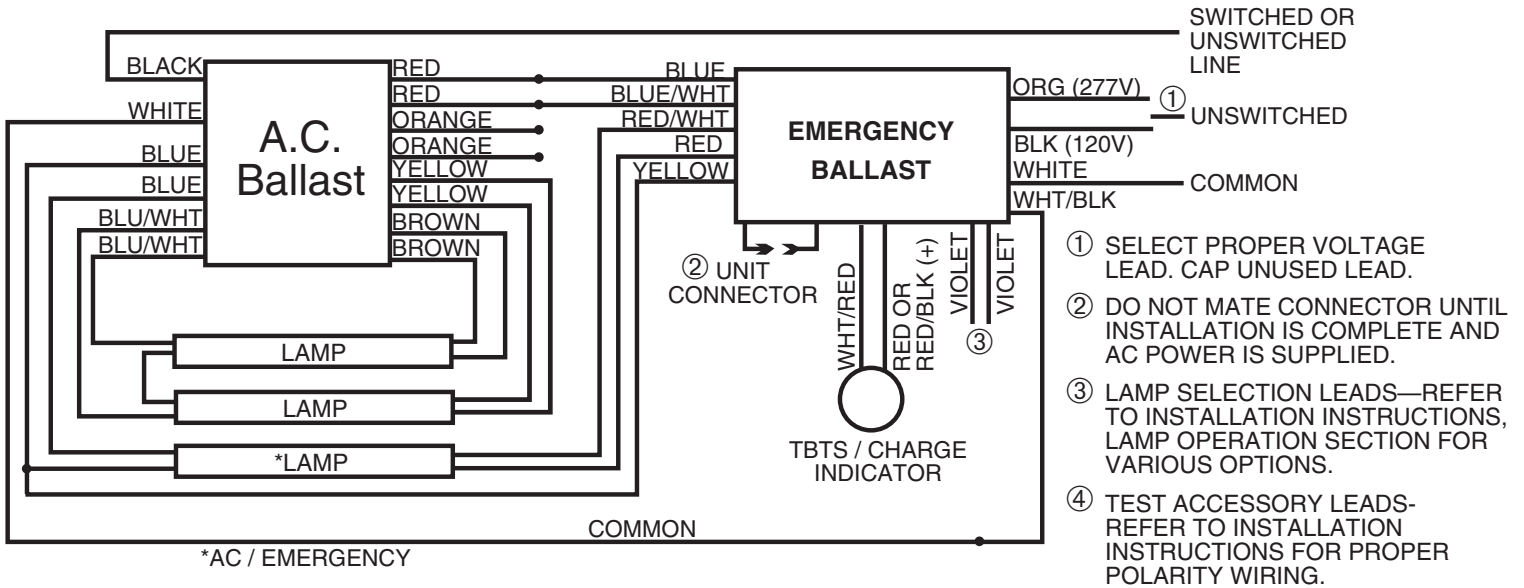


2LLAG\_D

### NOTES



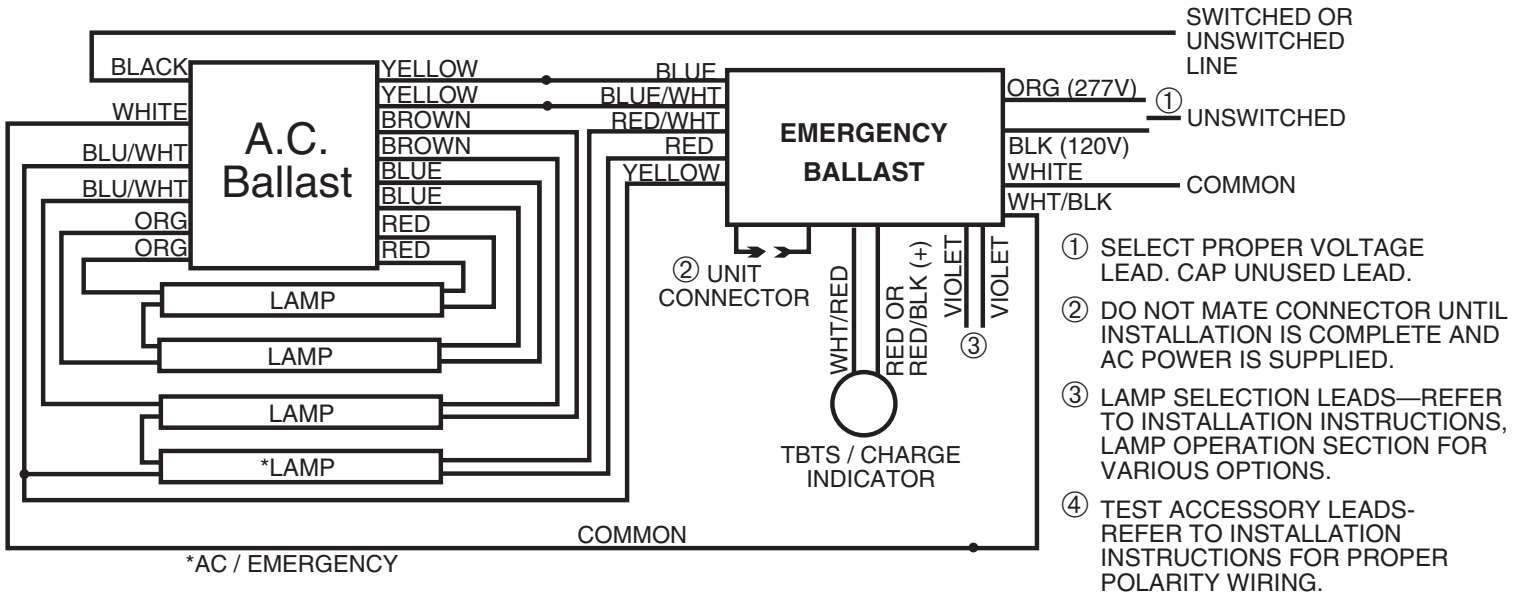
## THREE LAMP RAPID START BALLAST



3\_LRSB\_D\_3

### NOTES

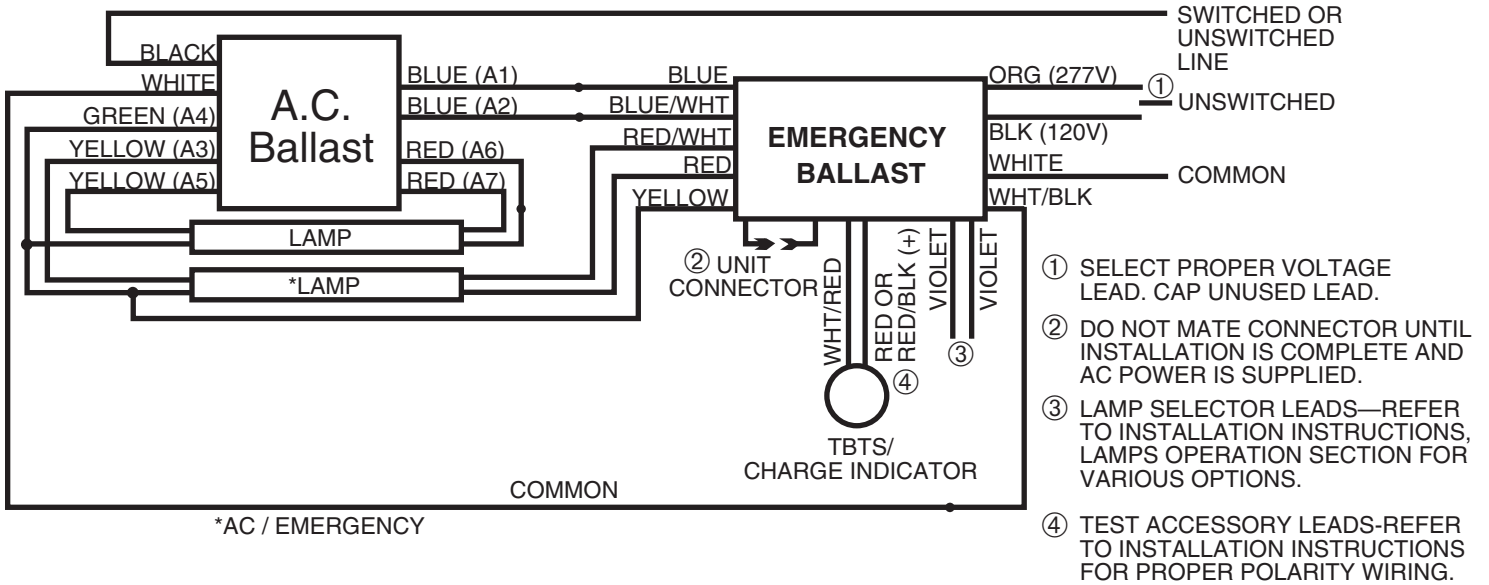
## FOUR LAMP RAPID START BALLAST



4LRSB\_D\_4

### NOTES

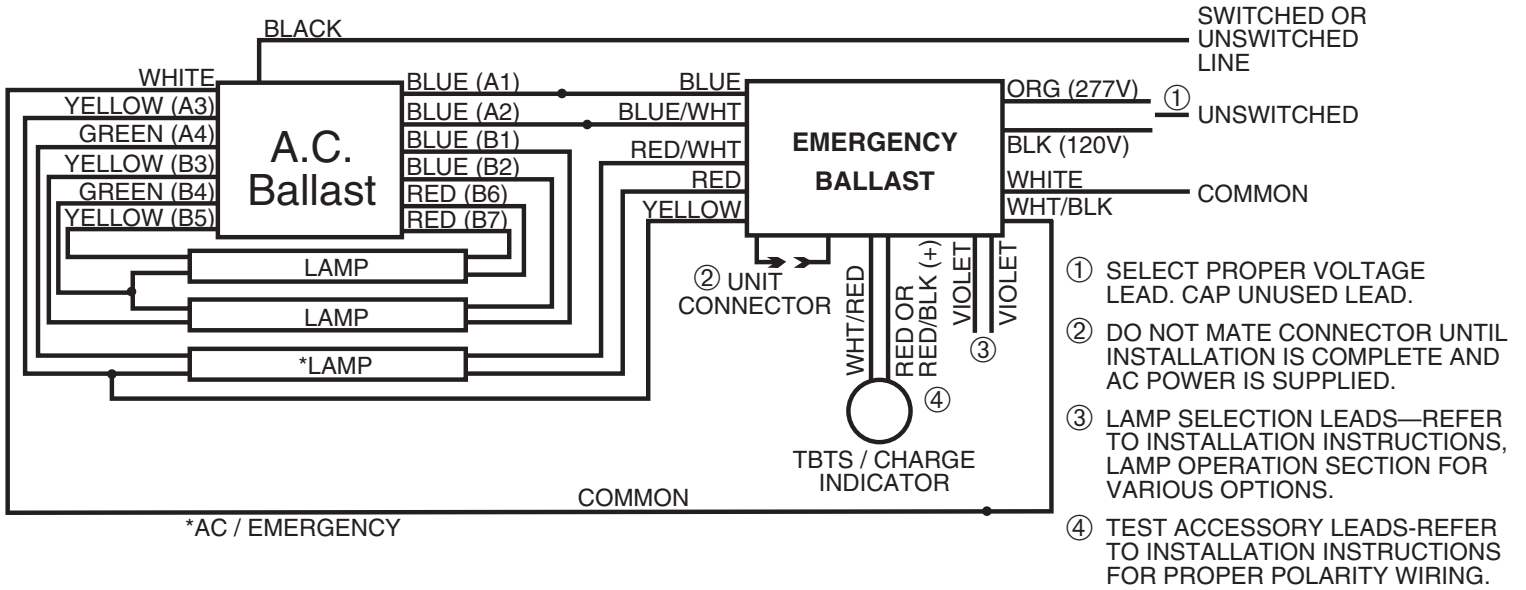
## TWO LAMP RAPID START BALLAST



2LRSB\_2LEO\_SYL\_D\_2

### NOTES

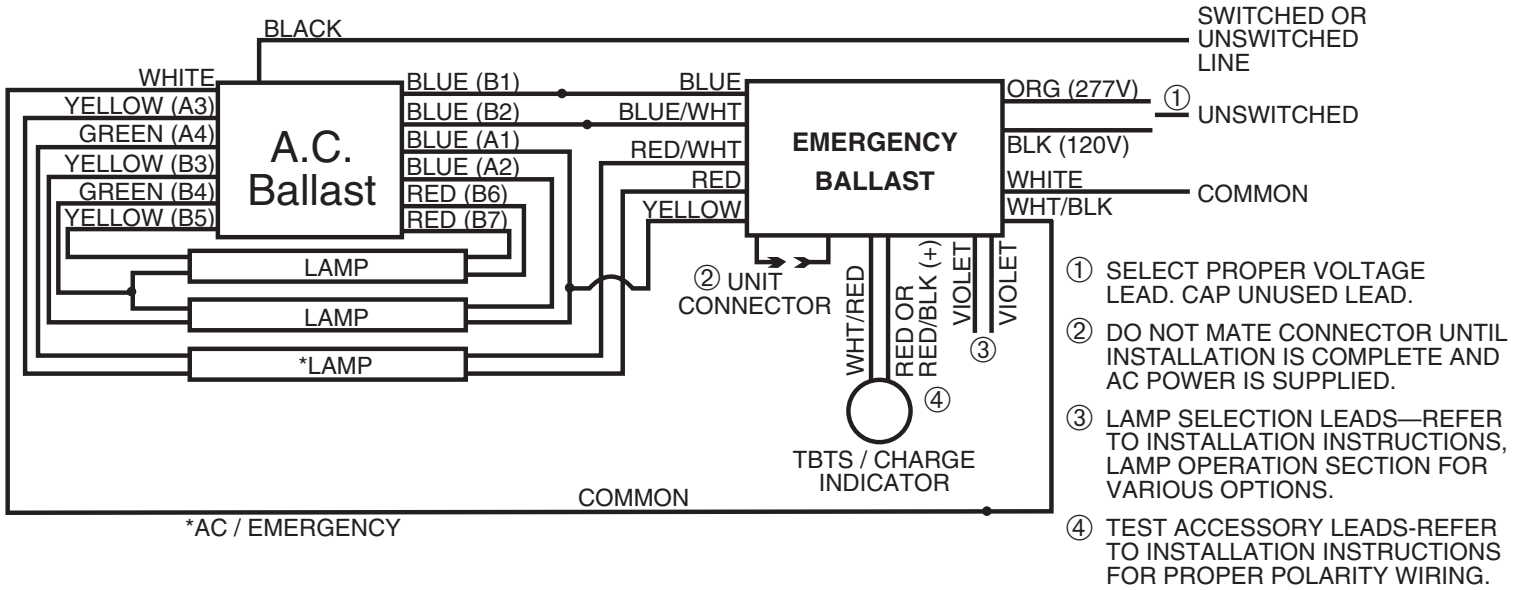
## THREE LAMP RAPID START BALLAST



3LRSB5\_80\_D

### NOTES

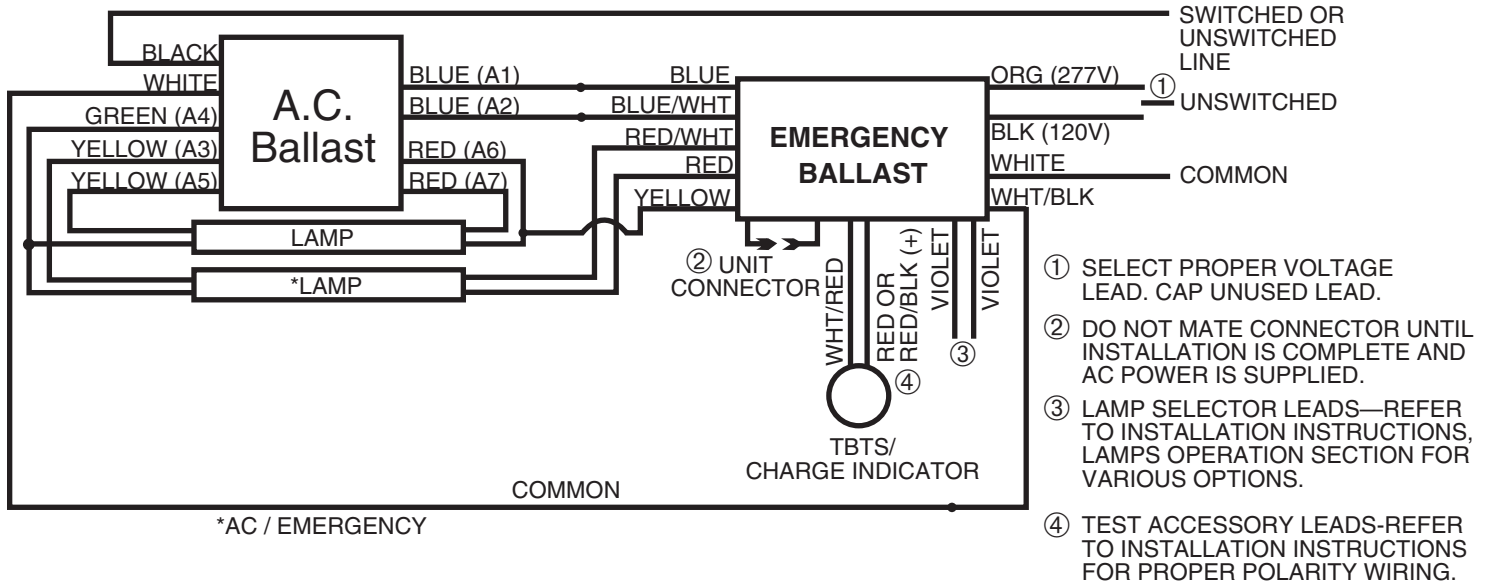
## THREE LAMP RAPID START BALLAST



3LRSB6\_80\_D

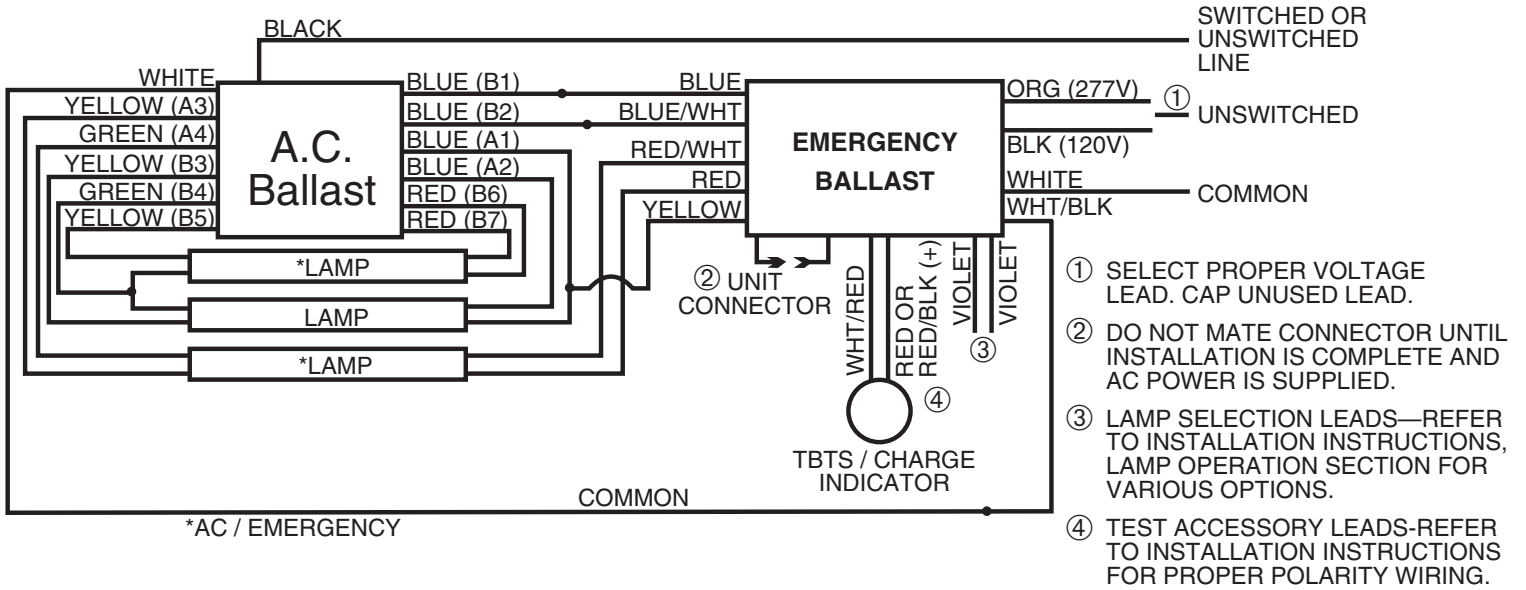
### NOTES

## TWO LAMP RAPID START BALLAST



### NOTES

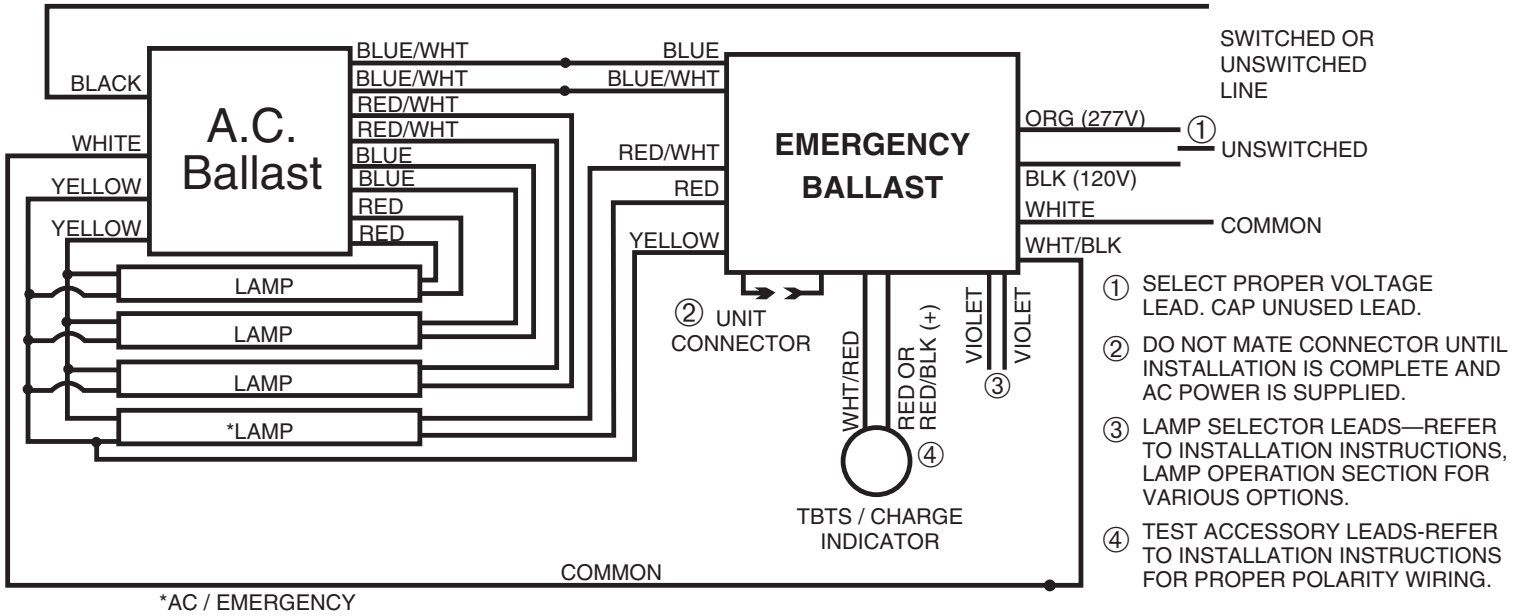
## THREE LAMP RAPID START BALLAST TWO LAMP EMERGENCY OPERATION



3LRSB\_2LEO4\_80\_D

### NOTES

## FOUR LAMP RAPID START BALLAST

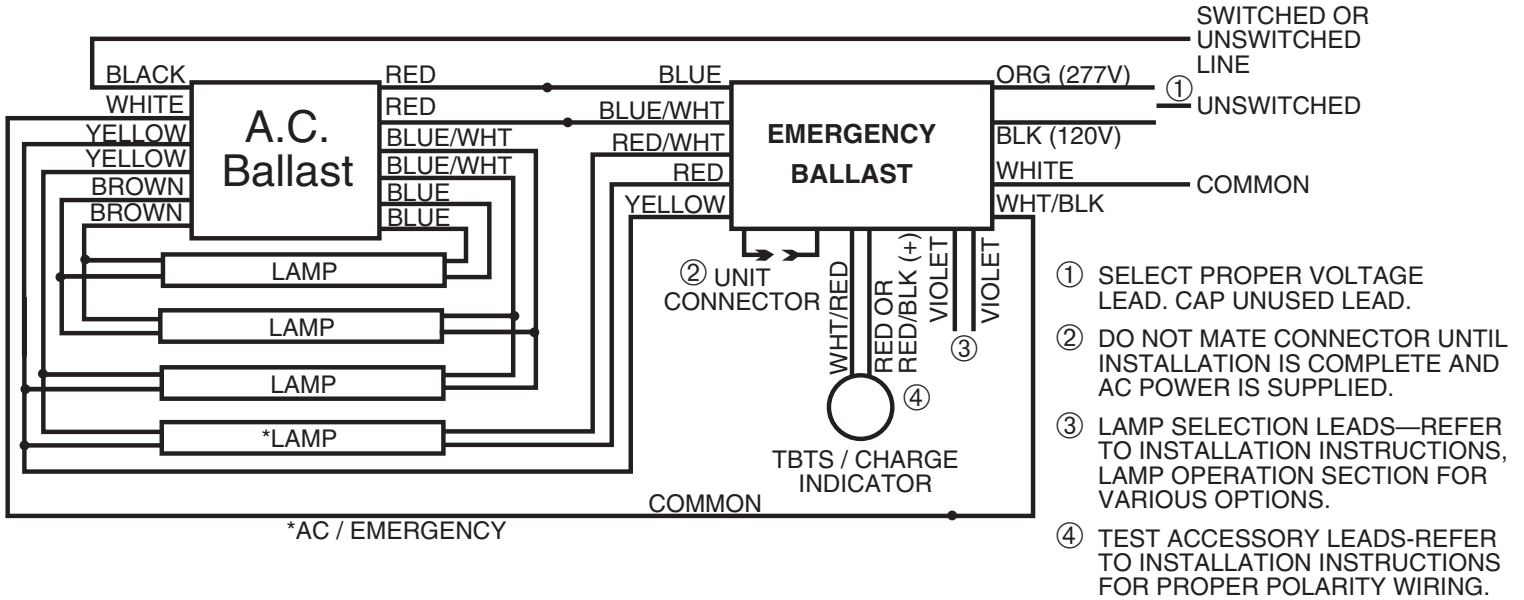


4LRSB\_D\_2

### NOTES



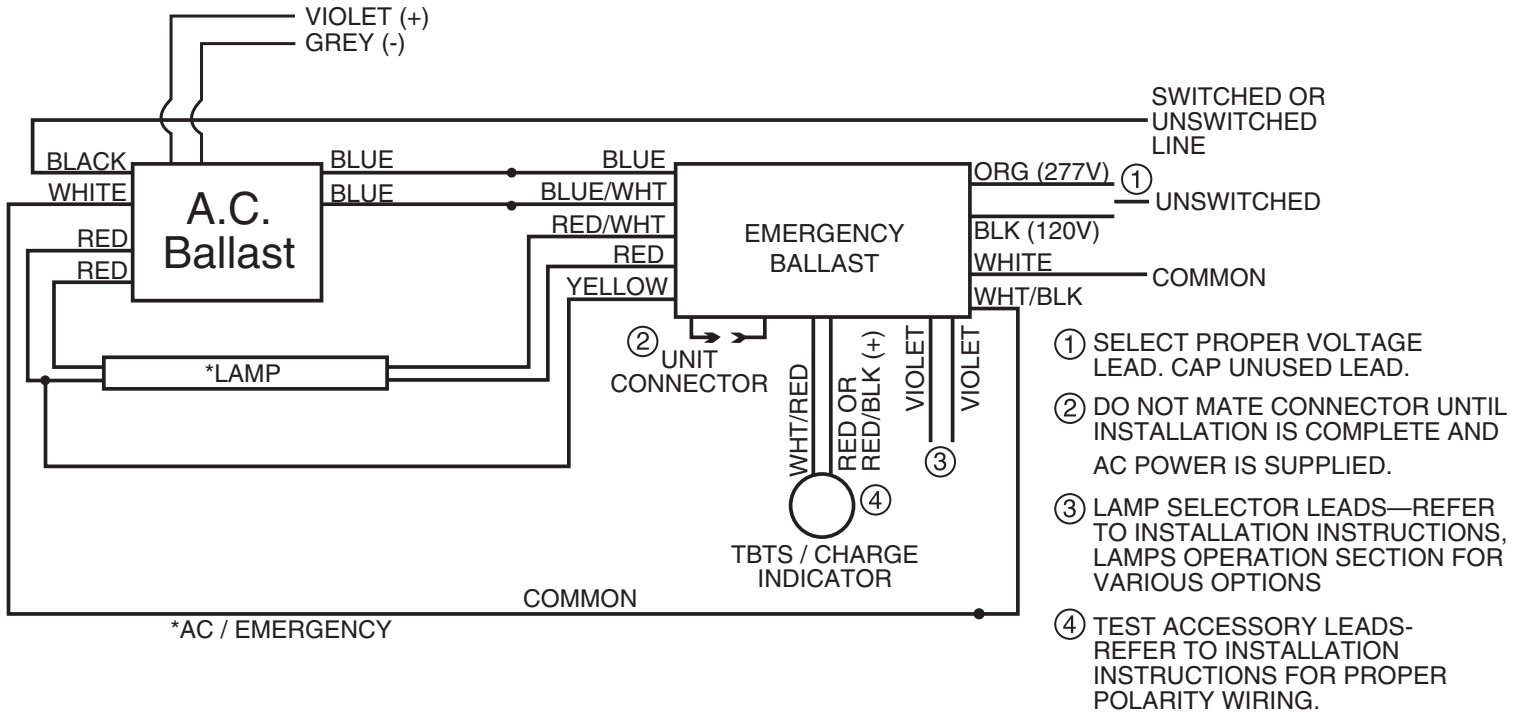
## FOUR LAMP RAPID START BALLAST



4LRSB5\_80\_D

### NOTES

## ONE LAMP RAPID START BALLAST FOR USE WITH OSRAM/DIMMING

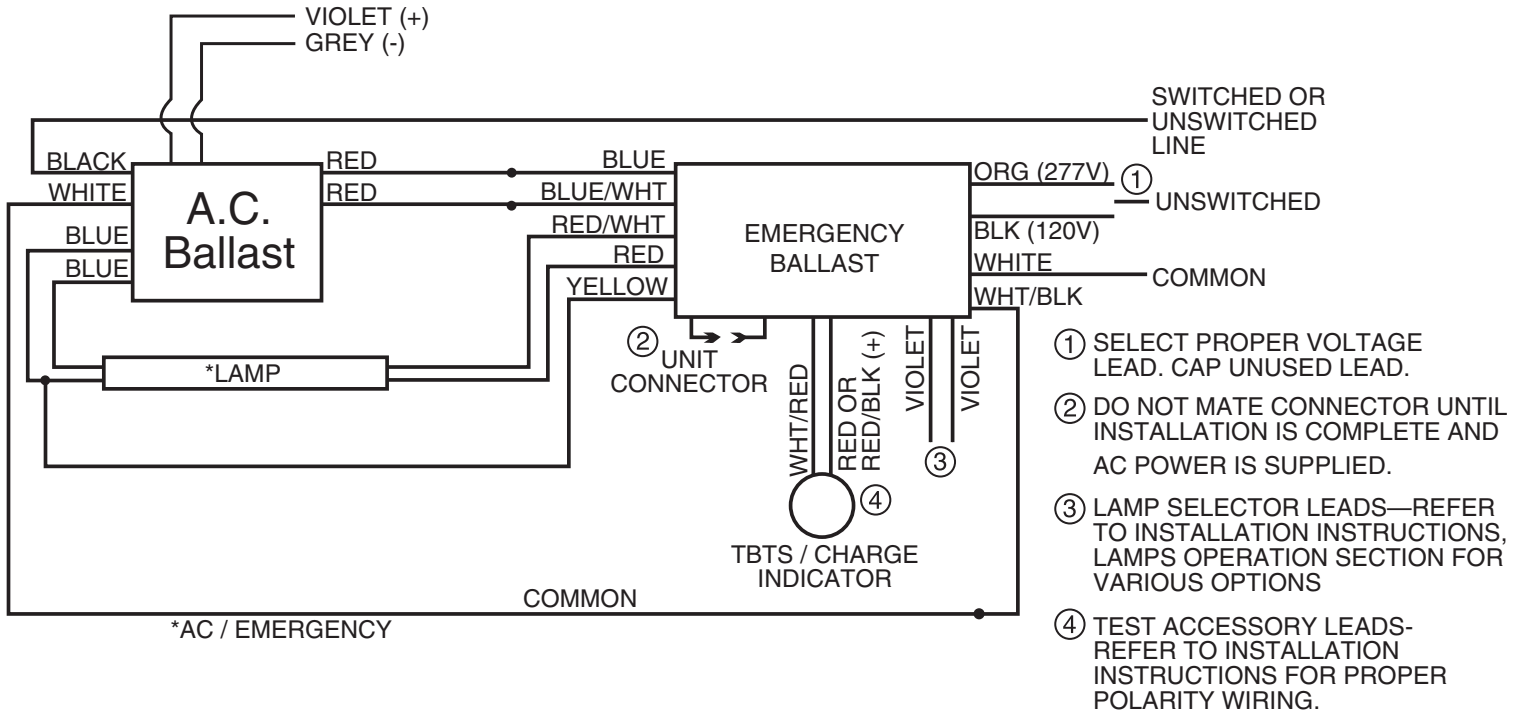


1LRSD\_D\_DIMMING\_OSRAM

### NOTES

FOR REVERSED REDS AND BLUES SEE YY107

## ONE LAMP RAPID START BALLAST FOR USE WITH OSRAM/DIMMING

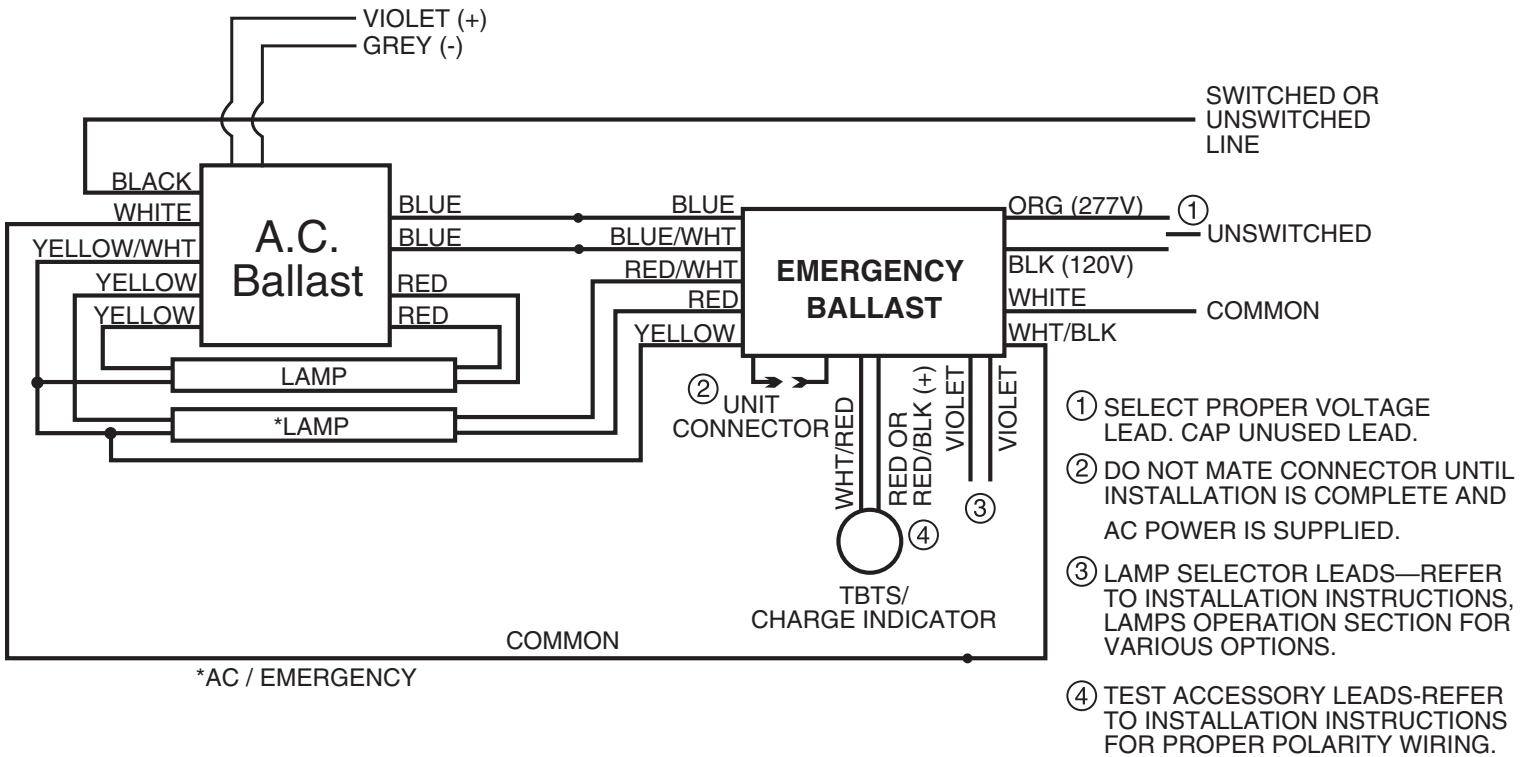


1LRSB\_D\_DIMMING\_OSRAM\_A

### NOTES

FOR REVERSED REDS AND BLUES SEE YY106

## TWO LAMP RAPID START BALLAST FOR USE WITH OSRAM/DIMMING

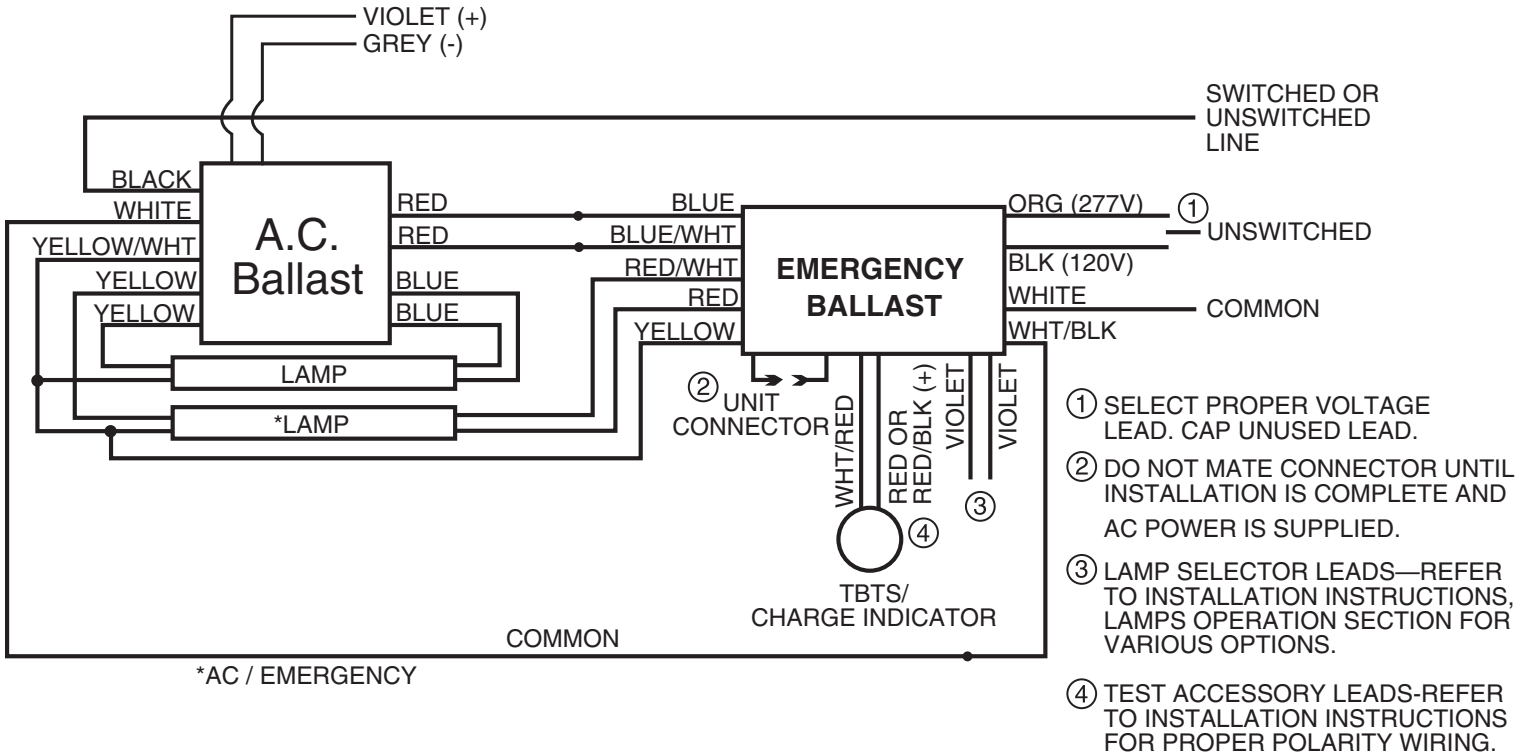


2LRSB\_D\_DIMMING\_OSRAM

### NOTES

FOR REVERSED REDS AND BLUES SEE YY109

## TWO LAMP RAPID START BALLAST FOR USE WITH OSRAM/DIMMING

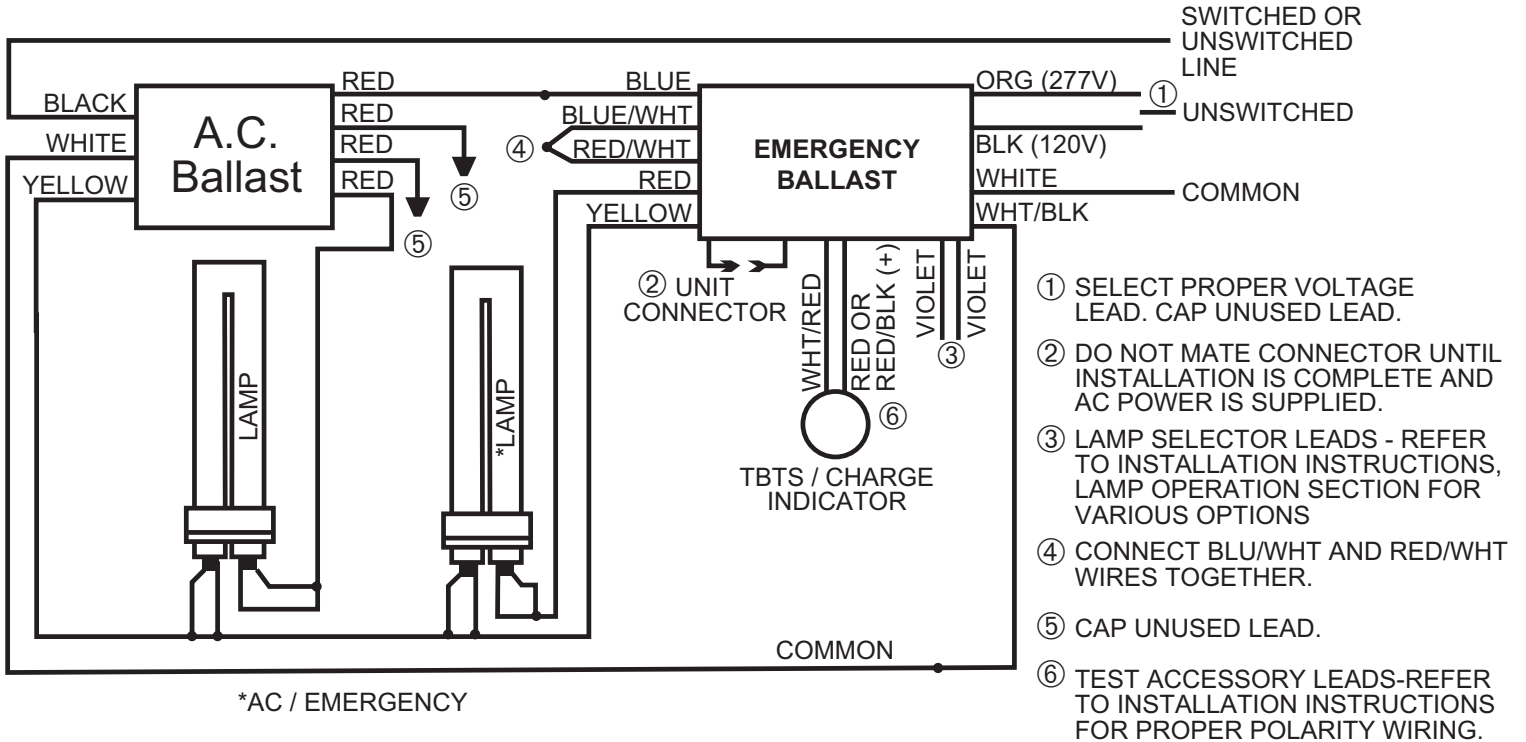


2LRSB\_D\_DIMMING\_OSRAM

### NOTES

FOR REVERSED REDS AND BLUES SEE YY108

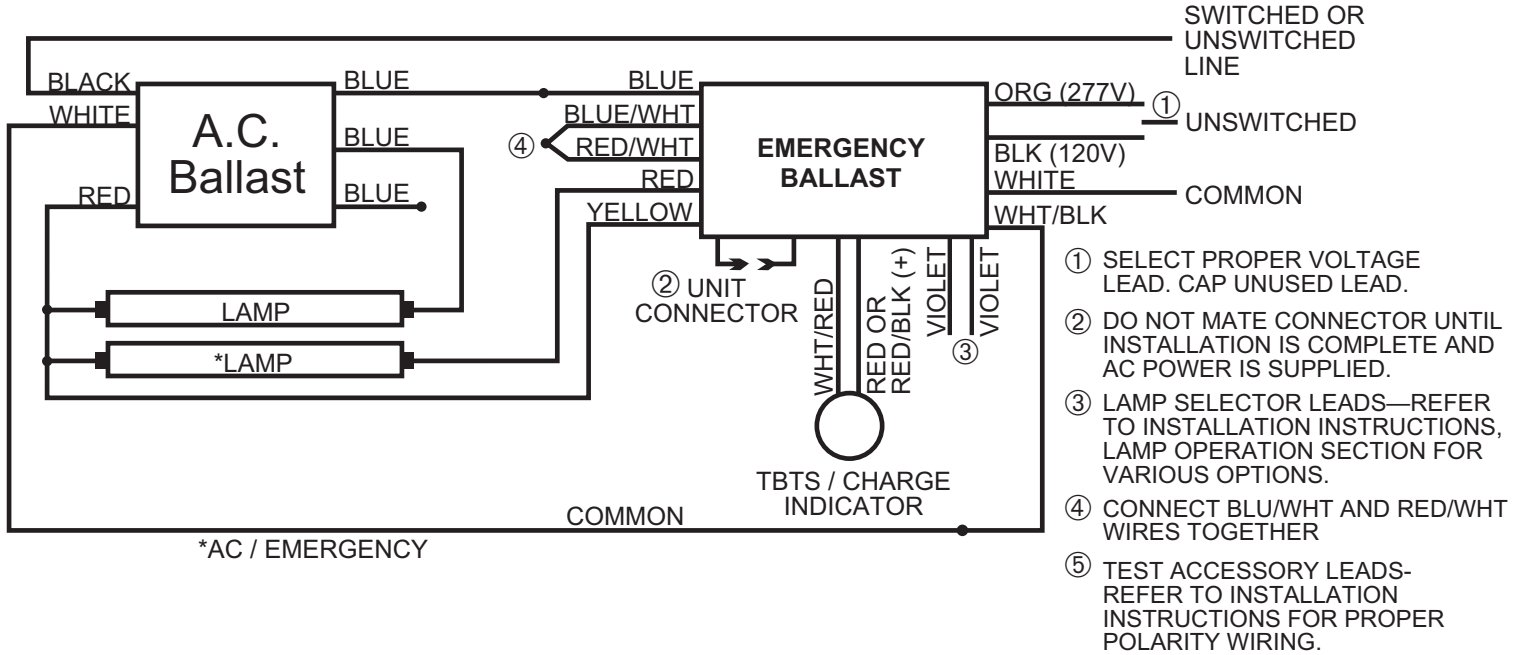
## FULHAM WORKHORSE BALLAST



FWB\_80\_D\_2

### NOTES

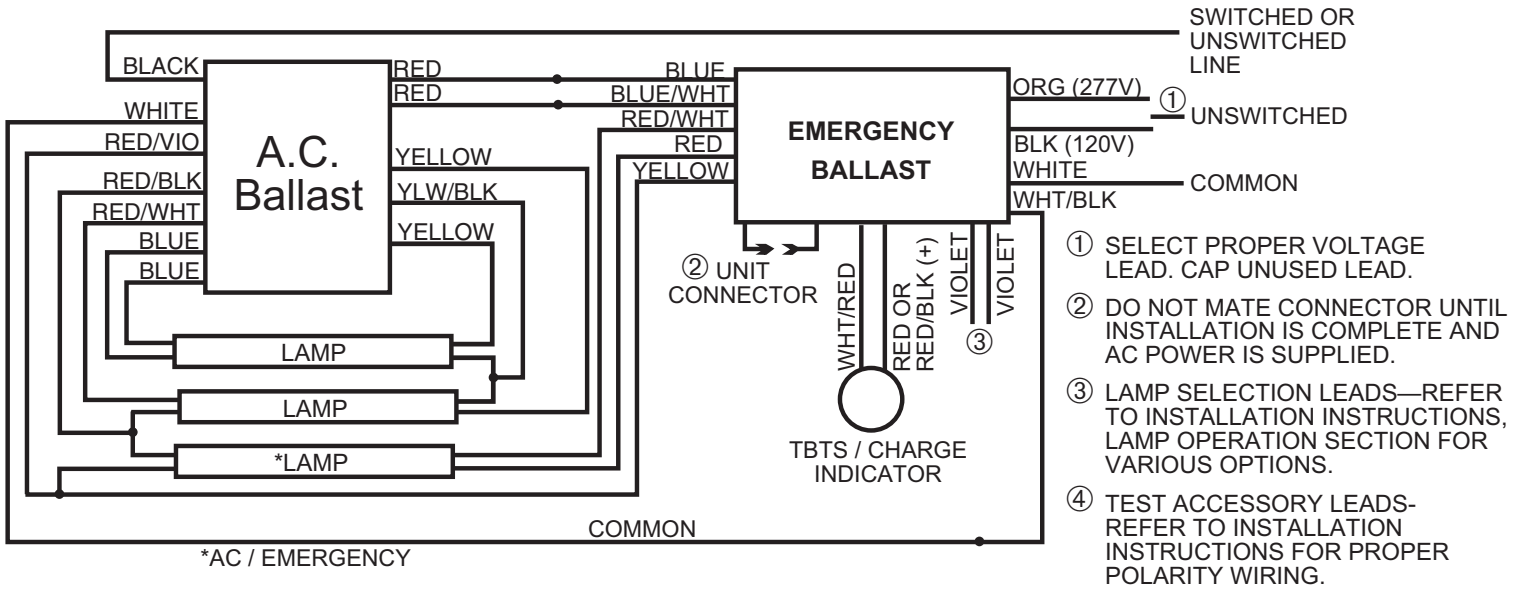
## THREE LAMP INSTANT START BALLAST WITH TWO LAMPS ONLY



3LISB\_D\_3

### NOTES

## THREE LAMP RAPID START BALLAST

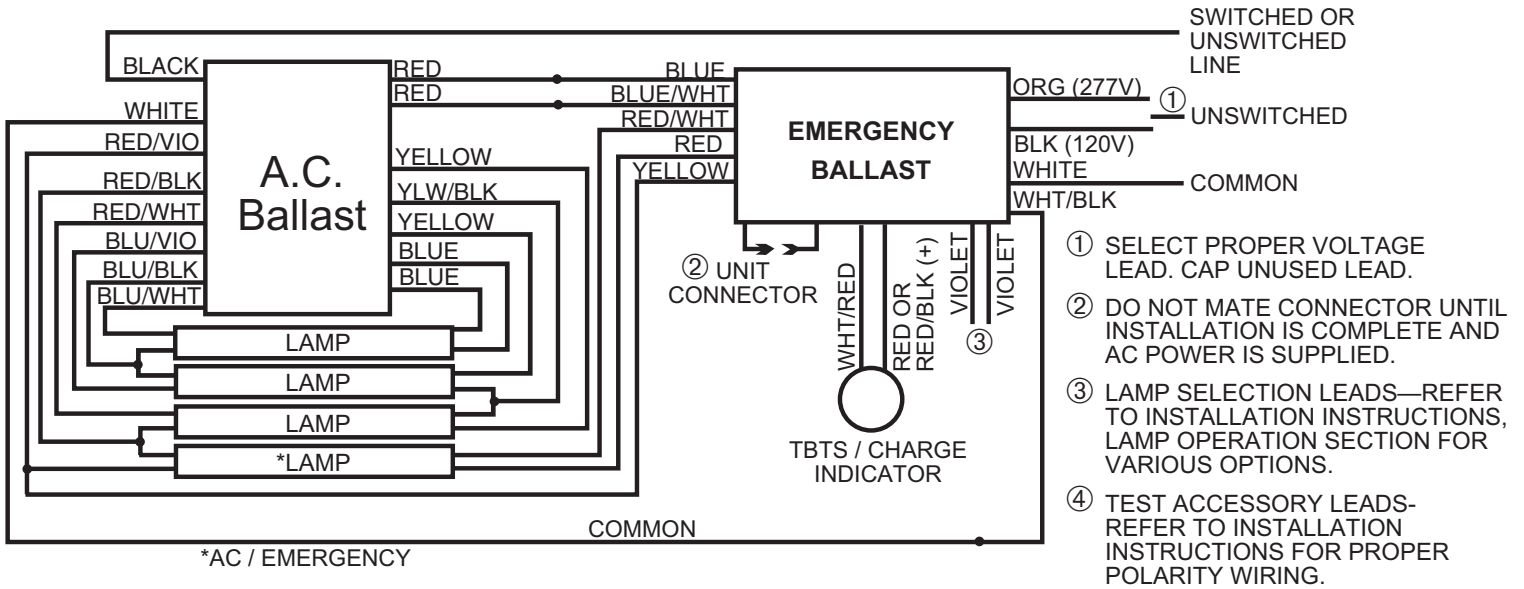


3\_LRSB\_D\_4

### NOTES



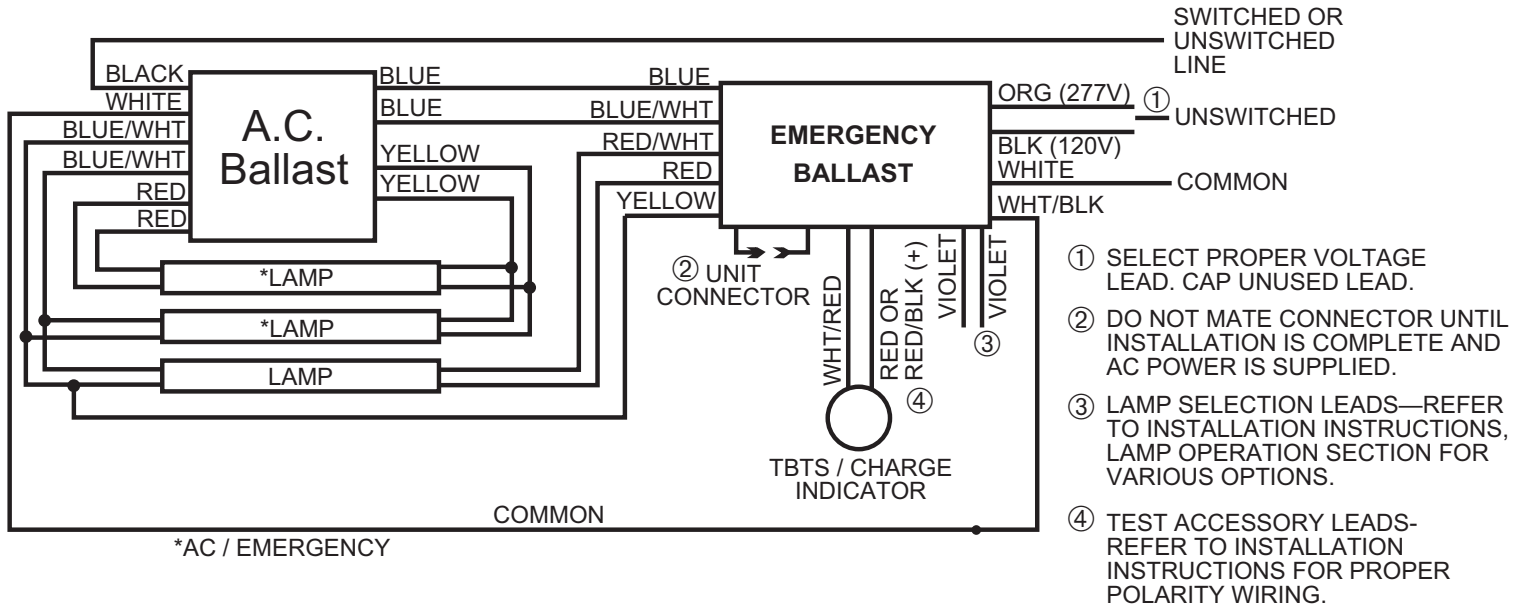
## FOUR LAMP RAPID START BALLAST



4\_LRSB\_D\_5

### NOTES

## THREE LAMP RAPID START BALLAST WITH TWO LAMP EMERGENCY OPERATION



3LRSB\_2LEO5\_80\_D

### NOTES