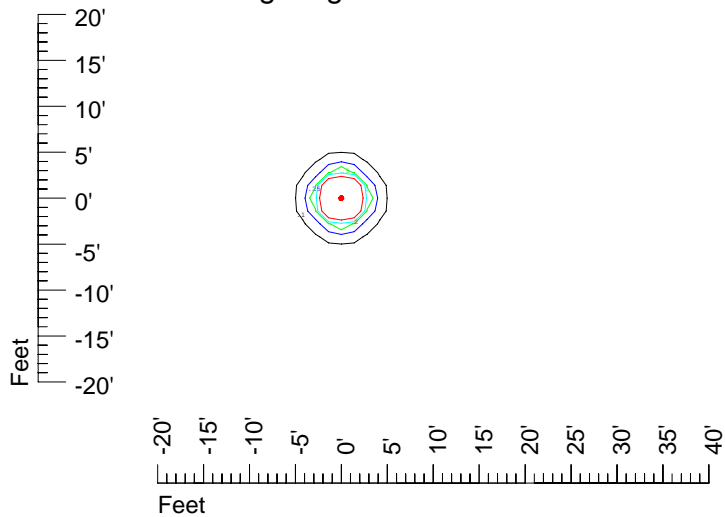


# IES Photometric files 20W-GU10 120v

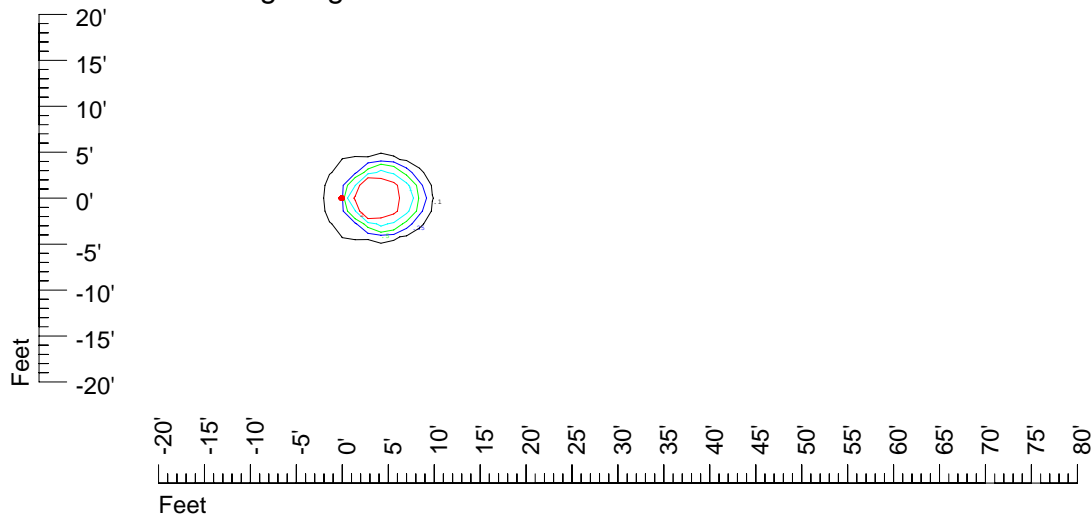
Isoline template 7' mounting height

Isoline values — 0.1 fc — 0.25 fc — 0.5 fc — 1.0 fc — 2.0 fc

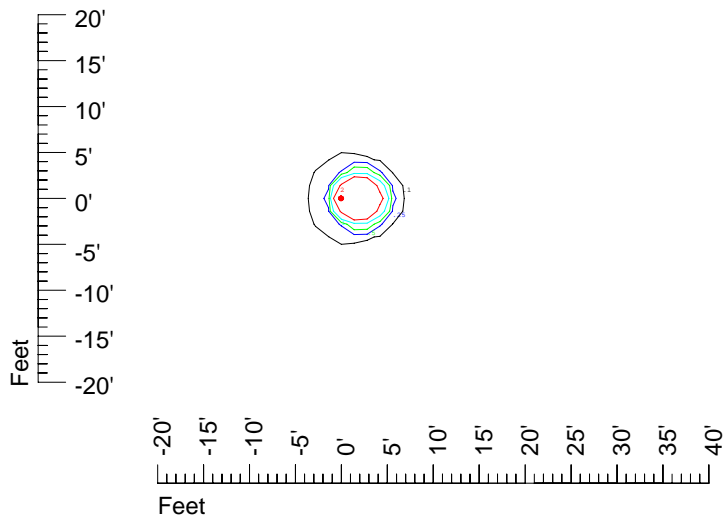
Mounting height 7' Tilt 0°



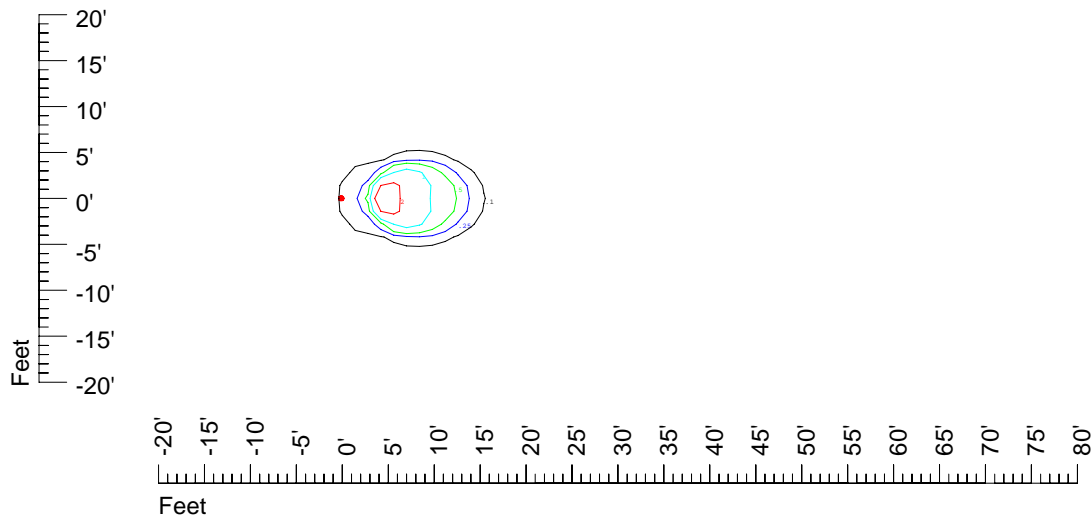
Mounting height 7' Tilt 30°



Mounting height 7' Tilt 15°



Mounting height 7' Tilt 45°

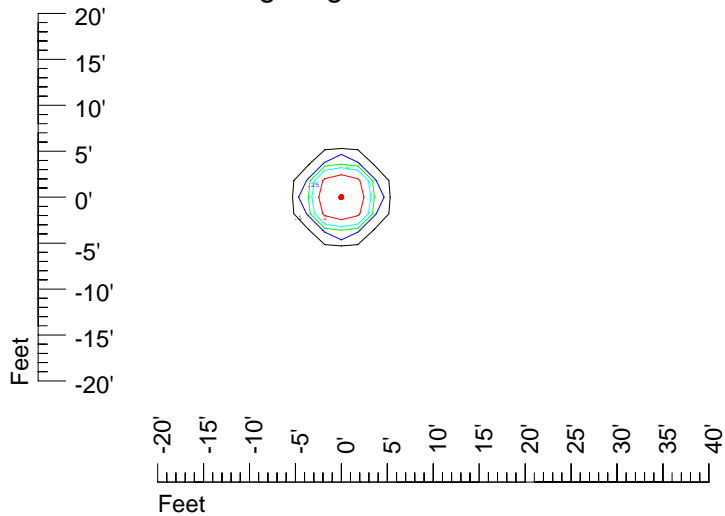


# IES Photometric files 20W GU10 120v

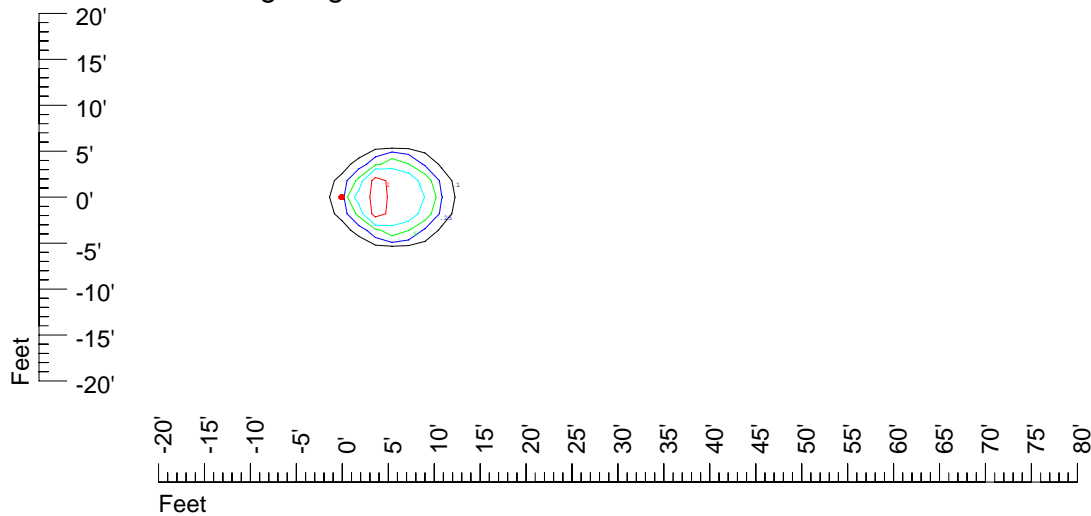
Isoline template 9' mounting height

Isoline values — 0.1 fc — 0.25 fc — 0.5 fc — 1.0 fc — 2.0 fc

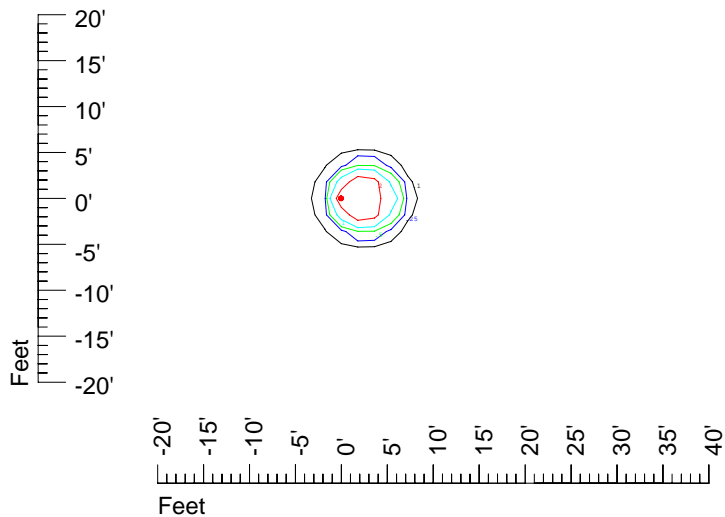
Mounting height 9' Tilt 0°



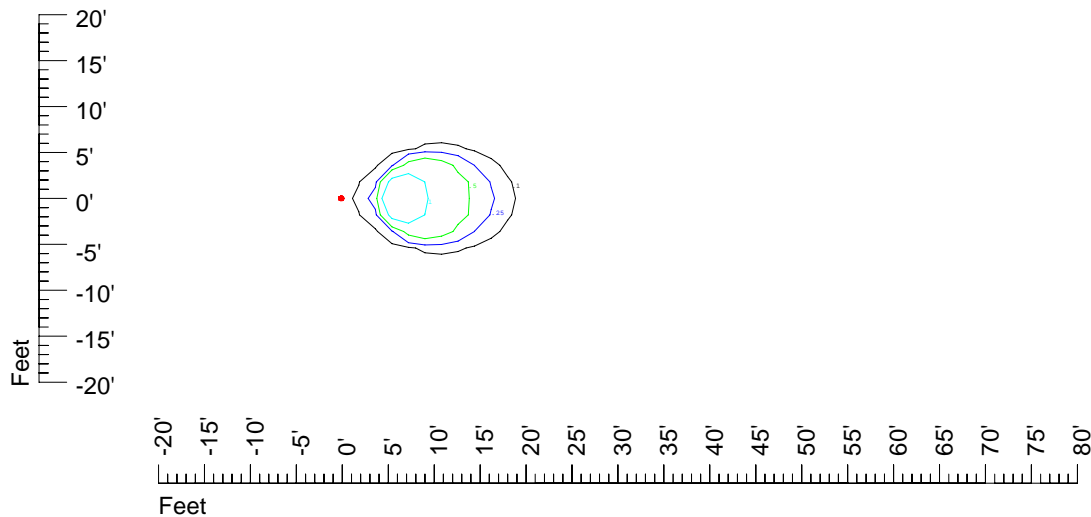
Mounting height 9' Tilt 30°



Mounting height 9' Tilt 15°



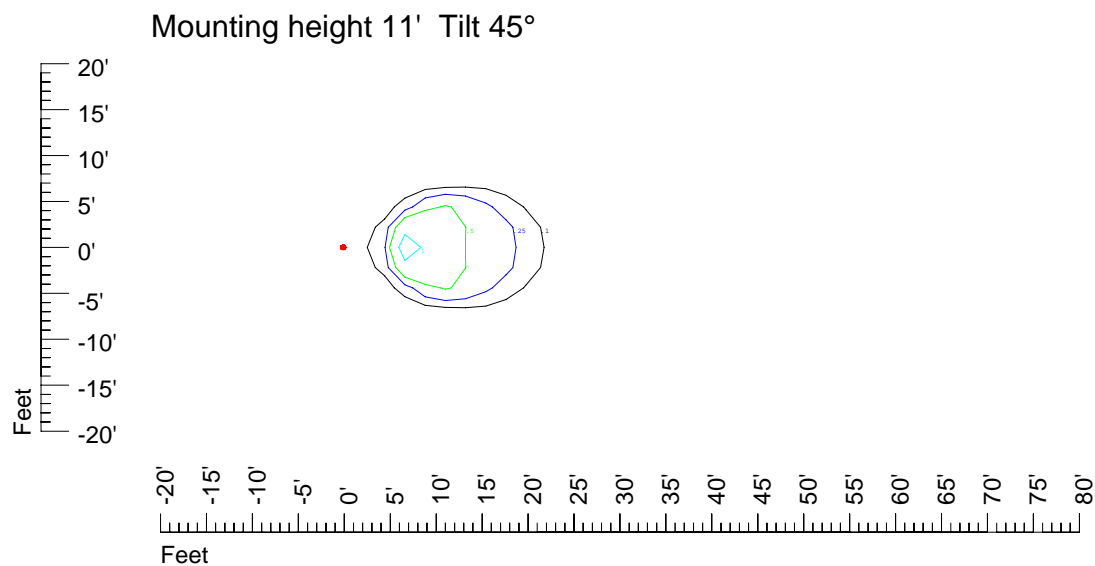
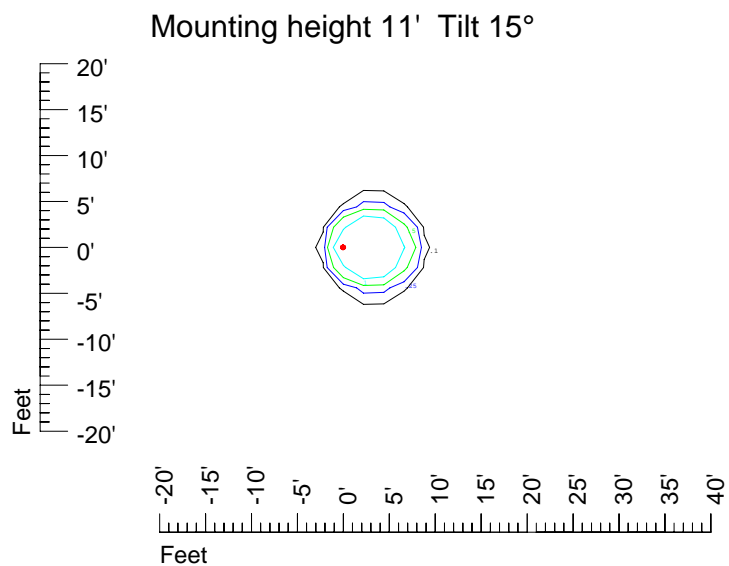
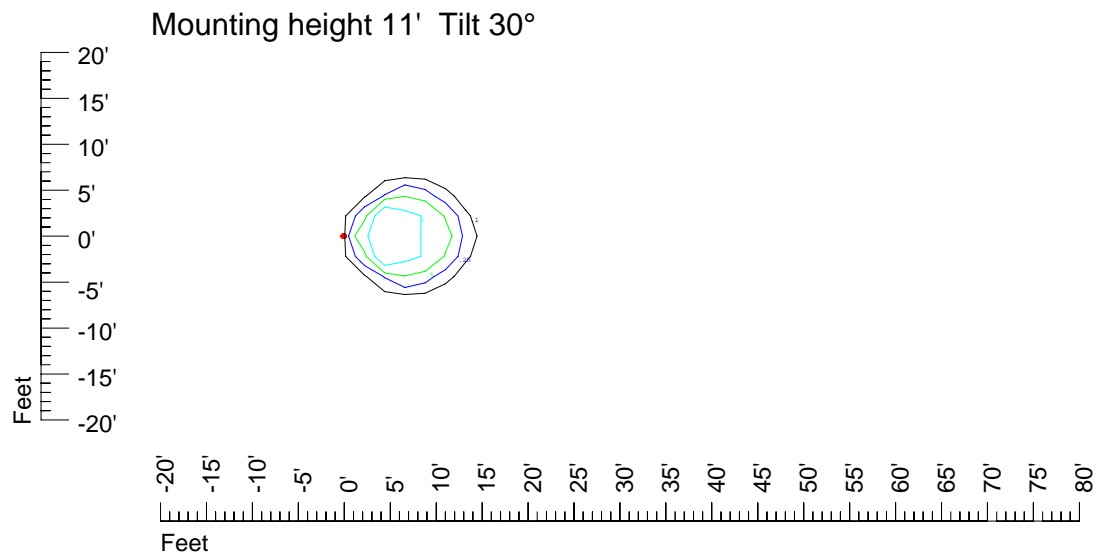
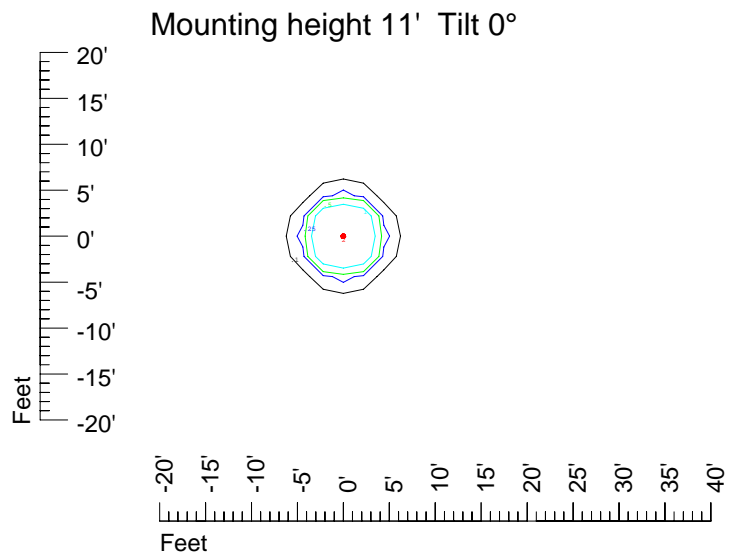
Mounting height 9' Tilt 45°



# IES Photometric files 20W GU10 120v

## Isoline template 11' mounting height

Isoline values — 0.1 fc — 0.25 fc — 0.5 fc — 1.0 fc — 2.0 fc

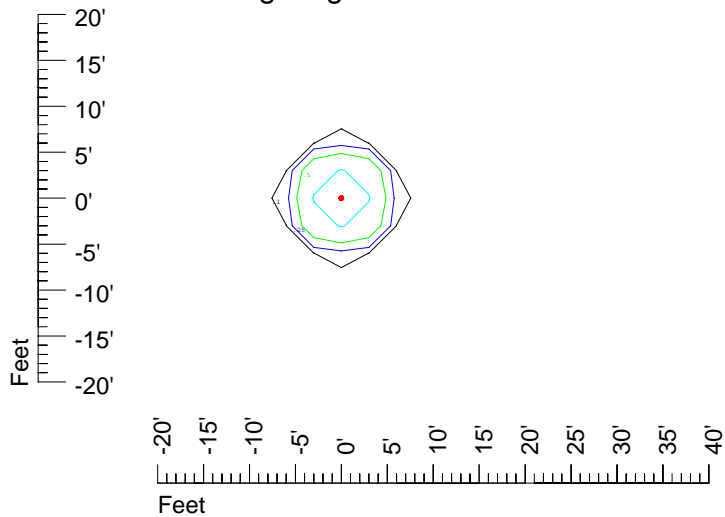


# IES Photometric files 20W GU10 120v

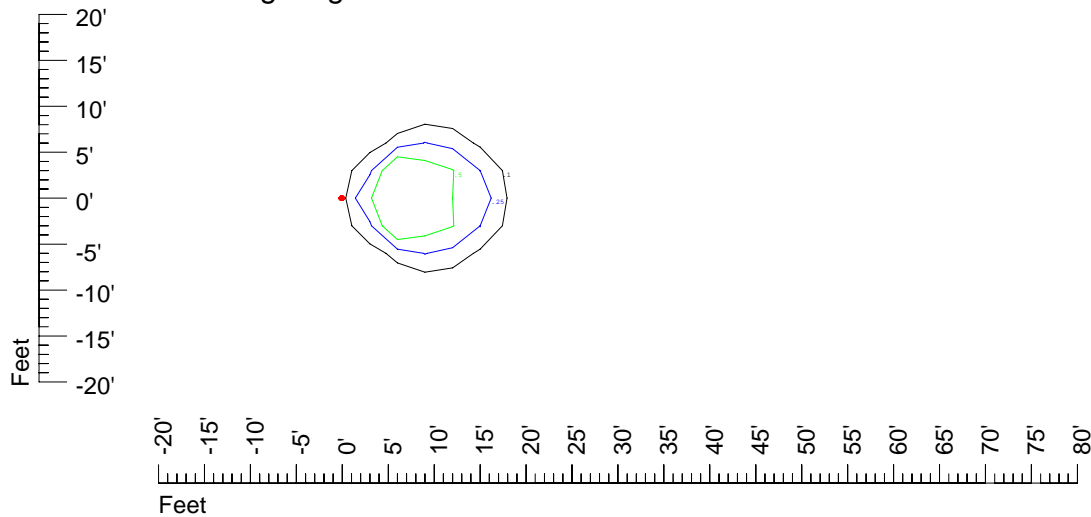
## Isoline template 15' mounting height

Isoline values — 0.1 fc — 0.25 fc — 0.5 fc — 1.0 fc — 2.0 fc

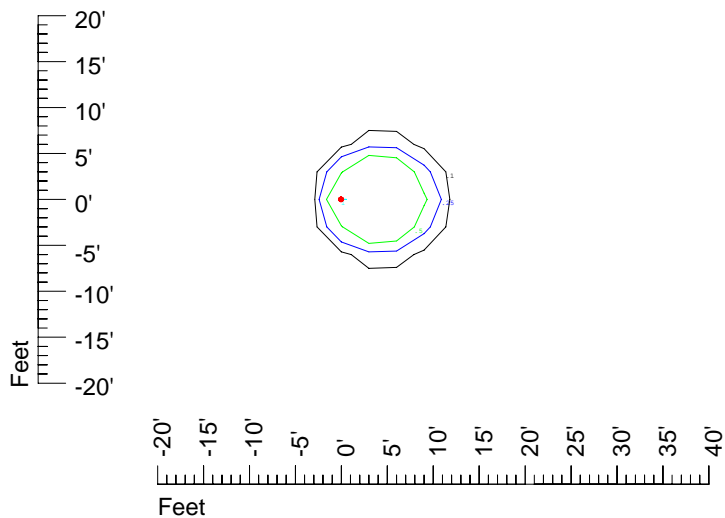
Mounting height 15' Tilt 0°



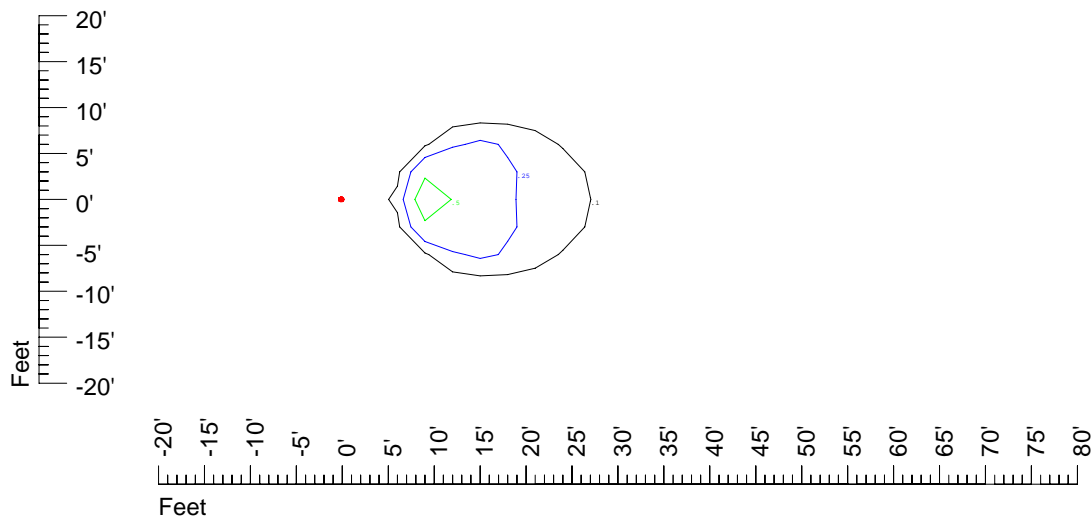
Mounting height 15' Tilt 30°



Mounting height 15' Tilt 15°



Mounting height 15' Tilt 45°

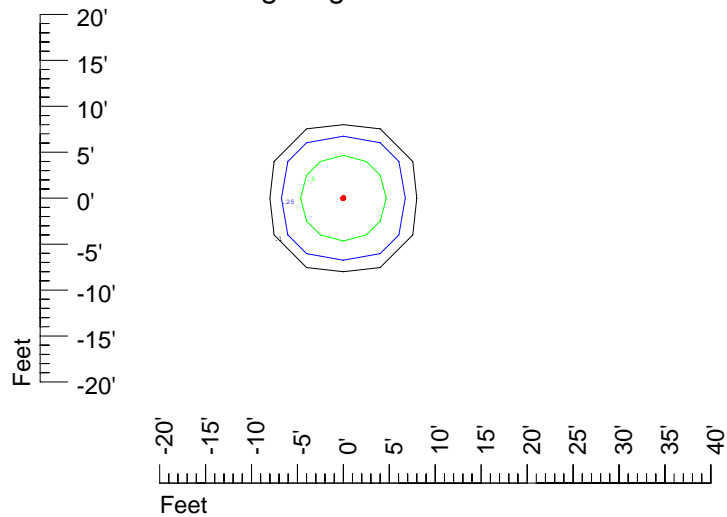


# IES Photometric files 20W GU10 120v

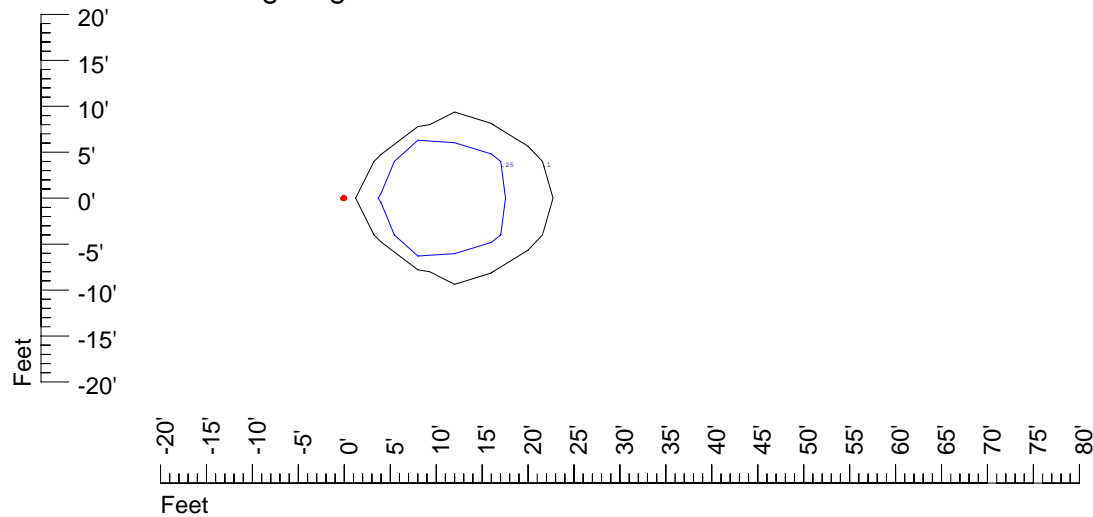
## Isoline template 20' mounting height

Isoline values — 0.1 fc — 0.25 fc — 0.5 fc — 1.0 fc — 2.0 fc

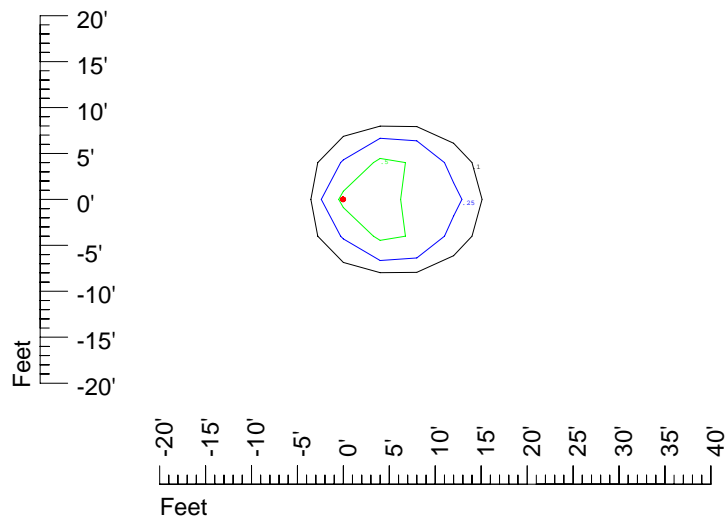
Mounting height 20' Tilt 0°



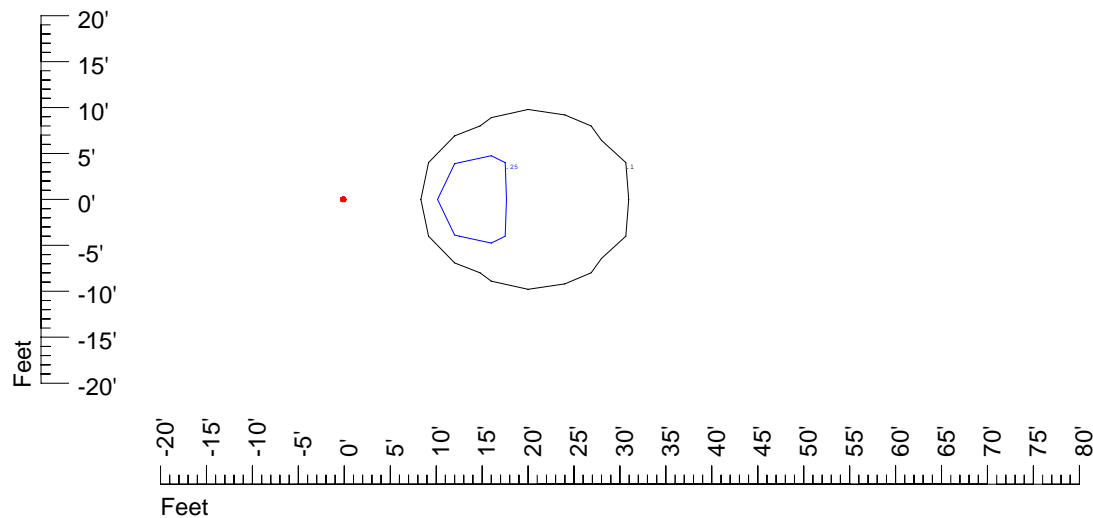
Mounting height 20' Tilt 30°



Mounting height 20' Tilt 15°



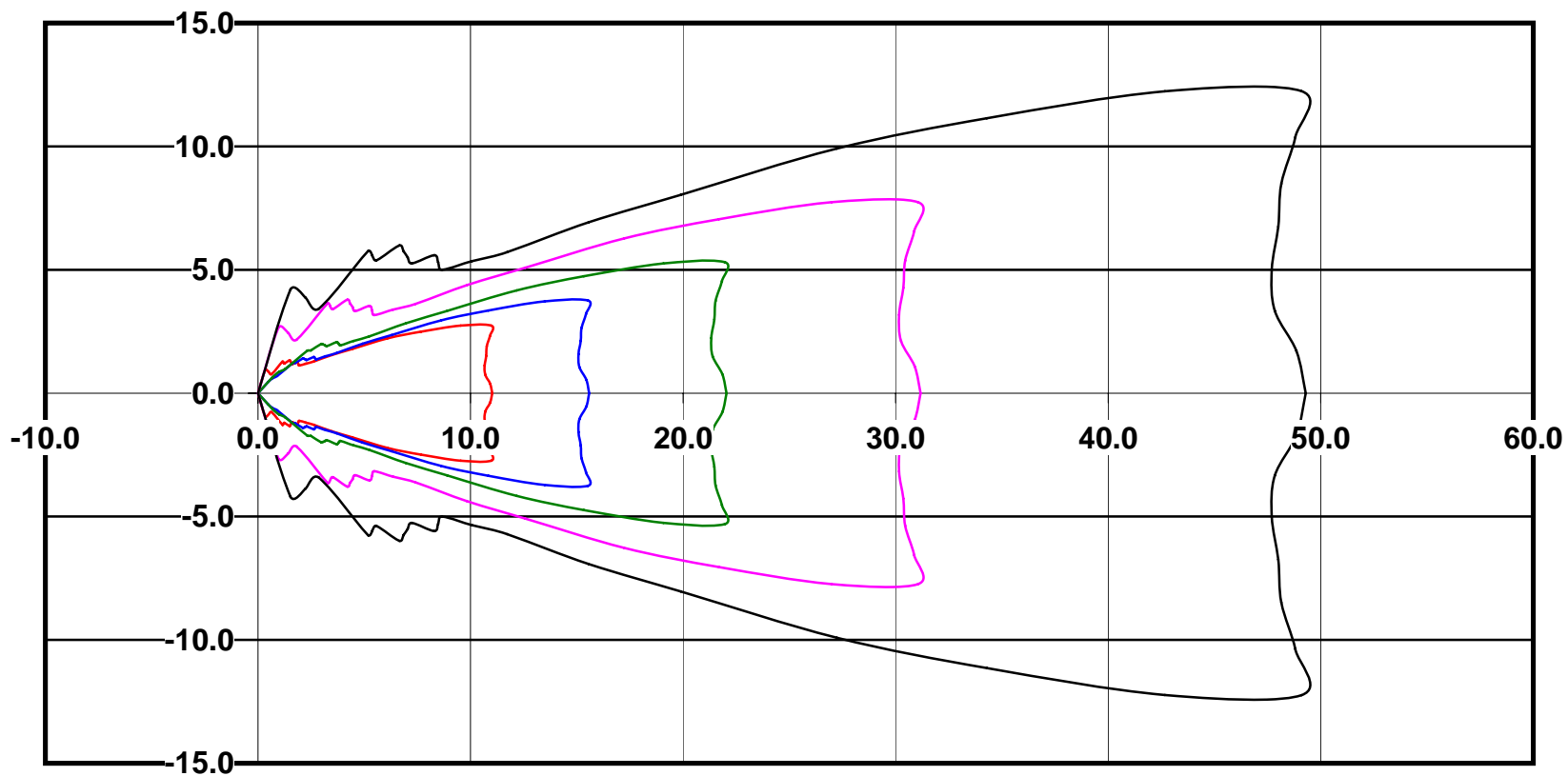
Mounting height 20' Tilt 45°



**IES File: 20w GU10120w**

**Lighting level in fc / Distance in feet**

Vertical plan 0° to 180°  
Horizontal plan 0°



— 2 fc — 1 fc — 0.5 fc — 0.25 fc — 0.1 fc