

RS Series

Designed for fully recessed installation in walls or ceilings



Housing

- Steel housing
- Standard off-white finish, optional black finish
- Lighting heads, available in thermoplastic or decorative die-cast aluminum
- Choice of MR16 LED lamp wattages

Mounting

- Fully recessed ceiling or wall-mount
- Hanger bars included for lay-in installation in T-bar grid
- Suitable for sheet rock installation

Electronics

- Pulse plus charger
- Low voltage disconnect
- Automatic brownout protection
- Battery lock-out
- Fused output circuit
- Optional Advanced Diagnostics
- 120/277 60Hz

Choice of sealed maintenance-free battery

- 6V or 12V lead-calcium battery
- 12V nickel-cadmium battery

Approvals

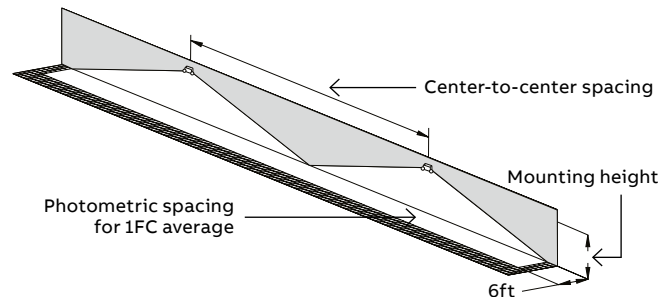
- UL 924 listed
- NYC approved

Warranty

- Unit has a five-year limited warranty
- Detailed warranty terms located on page 202 or online at:
www.emergi-lite.com/usa/files/EL_Warranty.pdf

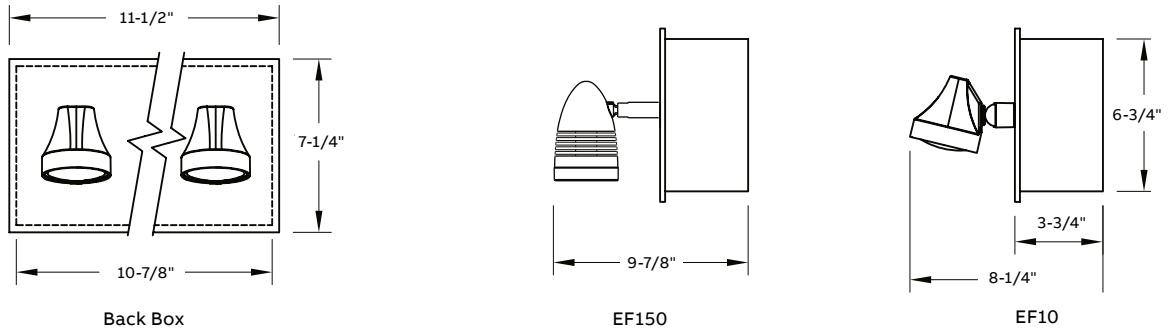
Photometric performance

Lamp	Spacing center-to-center (feet)	
	7' mounting height	15' mounting height
LA	43'	36'
LB	81'	64'
LG	55'	43'
LI	71'	56'
LJ	100'	85'



Dimensions

Dimensions are approximate and subject to change.



Unit rating

Sealed maintenance-free battery types	DC voltage	Model number	Battery capacity in watts			
			1 1/2 hrs	2 hrs	3 hrs	4 hrs
Lead-calcium	6	RSM18	18	12	9	–
	12	12RSM36	36	25	20	14
Nickel-cadmium	12	12RSC50	50	36	25	18

Accessories (order as a separate item)

Description	Suffix
Wire guard	WG6-E
Remote test switch (metal face plate)	RTS
Remote test switch (plastic face plate)	RTS-1

How to order

Color	Series/battery type	# of heads	Head style	Lamp type/wattage	Options
Blank= Factory white enclosure	Lead-calcium	-0= No head	10= EF10 mini plastic MR16	LA= 6V-4W, MR16 LED	Blank= No options -AD= Advanced Diagnostics (audible) -ADNA= Advanced Diagnostics (non-audible) -D3= Time delay (15 minutes) ¹
	RSM18= 6V-18W	-2= Two heads	MR16	LB= 6V-5W, MR16 LED	
B= Black enclosure	Nickel-cadmium		150= EF150 deco heads MR16	LG= 12V-4W, MR16 LED	
	12RSM36= V12V-36W			LI= 12V-5W, MR16 LED	
	12RSC50= 12V-50W			LJ= 12V-6W, MR16 LED	

Example: RSM18-2150LB-AD

¹Time delay available with AD or ADNA models only.