

City of Chicago Approved CCRS Series

6 and 12 Volt decorator recessed emergency lighting



Self-contained unit combines a steel exit sign with two adjustable LED heads.
Optional 10W remote capacity.

Housing

- Steel housing
- Standard off-white finish, optional black finish
- Lighting heads, available in thermoplastic or decorative die-cast aluminum
- Choice of MR16 LED lamp wattages

Mounting

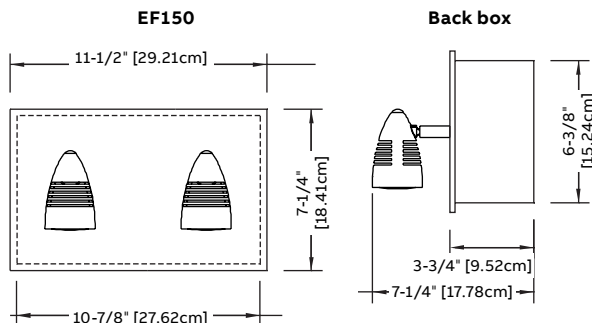
- Fully recessed ceiling or wall-mount
- Hanger bars included for lay-in installation in T-bar grid
- Suitable for sheet rock installation

Electronics

- Pulse plus charger
- Low voltage disconnect
- Automatic brownout protection
- Battery lock-out
- Fused output circuit
- Optional Advanced Diagnostics
- 120/277 60Hz

Dimensions

Dimensions are approximate and subject to change.



Choice of sealed maintenance-free battery

- 6V or 12V lead-calcium battery
- 6V or 12V nickel-cadmium battery

Approvals

- UL 924 listed
- Meets City of Chicago requirement

Warranty

- Unit has a five-year limited warranty
Detailed warranty terms located online at:
www.emergi-lite.com/usa/files/EL_Warranty.pdf



Unit rating - equipment with remote capability

Sealed maintenance-free battery types	DC voltage	Model number			Battery capacity in watts			
		EF-150 deco	EF-28 lamp heads	1 1/2 hrs	2 hrs	3 hrs	4 hrs	
Nickel-cadmium	6	CCRSC25-2150	CCRSC25-2	25	18	12	9	
	12	CC12RSC36-2150	CC12RSC36-2	36	21	15	12	
Lead-calcium	6	CCRSM27-2150	CCRSM27-2	27	18	14	10	
	6	CCRSM36-2150	CCRSM36-2	36	25	20	14	
	12	CC12RSM36-2150	CC12RSM36-2	36	25	20	14	

Accessories (order as a separate item)

Description	Suffix
Wire guard (units with EF-9, EF-10 or EF-18, EF-150 heads)	WG6-E
Remote test switch (metal face plate)	RTS
Remote test switch (plastic face plate)	RTS-1

How to order

Color	Series/battery type	# of heads	Head style	Lamp type/wattage	Options
CC= City of Chicago Approved	RSC25 = 6V-25W Ni-Cd	-0= No head	150 = EF150 deco heads	LA = 6V-4W, MR16 LED	Blank = No options
	RSM27 = 6V-27W lead-calcium	-1= One head	MR16	LB = 6V-5W, MR16 LED	-AD = Advanced
	RSM36 = 6V-36W lead-calcium	-2= Two heads		LG = 12V-4W, MR16 LED	Diagnostics (audible)
	12RSC36 = 12V-36W Ni-Cd			LI = 12V-5W, MR16 LED	
	12RSM36 = 12V-36W lead-calcium			LJ = 12V-6W, MR16 LED	

Example: CCRSM36-2