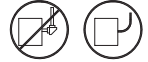


EGNL Series Vandal Resistant Emergency Light

AC, AC/DC and Self-powered

Use Flexible Conduit Only



WARNING:
Risk of Shock.

Disconnect Power before Installation and Maintenance.

IMPORTANT SAFEGUARDS

When using electrical equipment, basic safety precautions should always be followed including the following:

READ AND FOLLOW ALL SAFETY INSTRUCTIONS

1. All servicing should be performed by qualified service personnel.
2. Disconnect power at fuse or circuit breaker before installing or servicing.
3. All electrical connections must be in accordance with local codes, ordinances and the National Electric code.
4. All unused wires must be capped to prevent shorting.
5. Do not use outdoors.
6. Do not let power supply cords touch hot surfaces.
7. Do not mount near gas or electric heaters.
8. Equipment should be mounted in locations and at heights where it will not readily be subjected to tampering by unauthorized personnel.
9. The use of accessory equipment not recommended by the manufacturer may cause an unsafe condition.
10. Do not use this equipment for other than intended use.
11. Use caution when handling batteries (self-powered only).
12. Allow battery to charge for 24 hours before first use (self-powered only).

SAVE THESE INSTRUCTIONS

Installation Instructions

IMPORTANT: Maximum mounting height: 22 feet from floor.

1. Turn off AC power.
2. Feed AC unswitched circuit of rated voltage into junction box and leave 6" of wire length.
3. Using a flat head screwdriver, insert the blade into the slots and tilt to release the latch and open the front cover (see figure 1).
4. Push in the locking clips located on each side of the reflector and remove the reflector assembly (see figure 1).

Wall and Ceiling Mount

1. Remove the appropriate knockouts in the back plate.
 2. Feed AC wires through the center hole into the back plate.
 3. Mount and secure the back plate to the junction box. Ensure the gasket is compressed tightly to the surface.
 4. Make the proper connections according to model configuration:
For self-powered see figure 3.
For AC, AC/DC see figure 4.
 5. Attach safety cable from housing to reflector assembly.
 6. Connect battery connector to PCBA.
 7. Reattach reflector assembly. Push in the locking clips located on each side of the reflector and snap in reflector assembly (see figure 1).
 8. Adjust LED strips as required (see figure 6).
 9. Snap in the lens.
- Note: for units with auto-test option, ensure button on lens aligns with test switch on reflector.

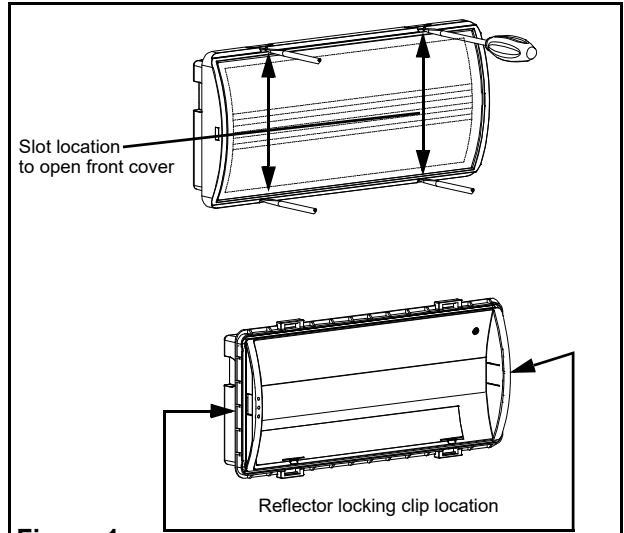


Figure 1

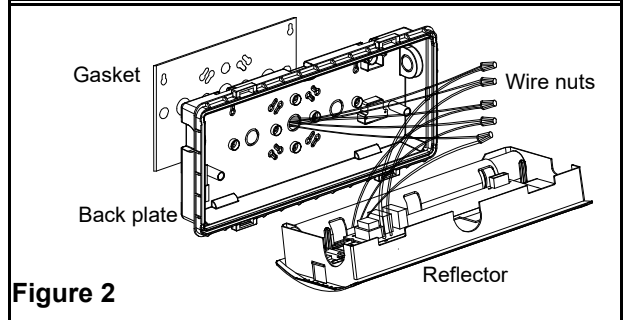


Figure 2

Wiring diagram for self-powered models

With wall switch

Connect the black wire to 120/347Vac, white wire to the neutral. Connect the red wire to one contact of the wall switch and connect the other contact to the black wire as shown below.

Without wall switch

Connect the black and red wires to hot lead, white wire to the neutral as shown below.

Figure 3

T-bar installation (see figure 5)

1. Bend the 4 tabs on the mounting frame 90 degrees outward to hang onto the t-bar.
2. Hook the mounting frame onto the t-bar and use 4 self-drilling screws (not provided) to secure the mounting frame to the t-bar.
3. Feed AC circuit wires to junction box on the unit and leave 6 inches of wire.
4. Make the proper connections according to model configuration:
For self-powered see figure 3.
For AC, AC/DC see figure 4.
5. Insert unit into the mounting frame and ensure all 4 clips are engaged.

Maintenance:

Equipment must be tested regularly in accordance with local codes.

AUTO-TEST OPTION

(Self-powered units only)

Self-Diagnostics / Self-Testing

1. When AC power is supplied to fixture, the unit will automatically initiate a self-test and self-diagnostic test as follows:
 - a. Verifies battery disconnection, charger board failure, lamps failure and transformer failure at every 4 seconds.
 - b. 3 minute self-testing every month after installation.
 - c. 120 minute self-testing every year after installation.
 - d. Factory per-sets all functions. Does not need field adjustment.
2. Dual color LED lamp indicator shows the following status:
 - a. Green color: ON/ Ready
Blinking: Testing
 - b. Red color (Service Alert)
 - c. Service Alert LED Code (Red color LED lamp indicator)

| | | |
|-------|-----------------------------------|---|
| o | One blink ON/pause (4 seconds) | Battery is not connected |
| oo | Two blinks ON/pause (4 seconds) | Battery is shorted or battery voltage drops below acceptable level. |
| ooo | Three blinks ON/pause (4 seconds) | Charger board circuit fault. |
| oooo | Four blinks ON/pause (4 seconds) | Transformer fault. |
| ooooo | Five blinks ON/pause (4 seconds) | Emergency lamp fault. |

Note:

After solving emergency equipment fault, press test button for 2 seconds without releasing. LED lamp will show green and unit will resume charging.

3. For manual test, press test button as follows:

| | |
|--|----------------|
| Press test button once (within 2 seconds) | 30 second test |
| Press test button twice (within 2 seconds) | 3 minute test |
| Press test button 3 times (within 2 seconds) | 30 minute test |
| Press test button 4 times (within 2 seconds) | 90 minute test |

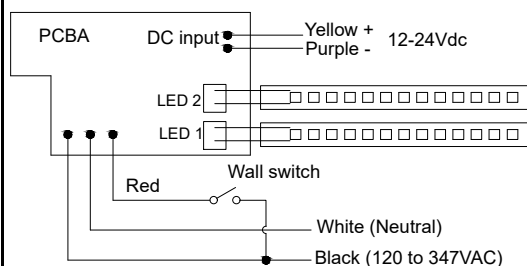
This unit comes with a (3) three year limited warranty.
Refer to (www.emergi-lite.com/warranty) for full warranty.

Wiring diagram for AC / DC models

With wall switch

Connect the black wire to 120/347Vac, white wire to the neutral. Connect the red wire to one contact of the wall switch and connect the other contact to the black wire as shown below.

CAP YELLOW AND PURPLE WIRE SEPARATELY IF NOT USED.



Without wall switch

Connect the black and red wires to hot lead, white wire to the neutral as shown below.

CAP YELLOW AND PURPLE WIRE SEPARATELY IF NOT USED.

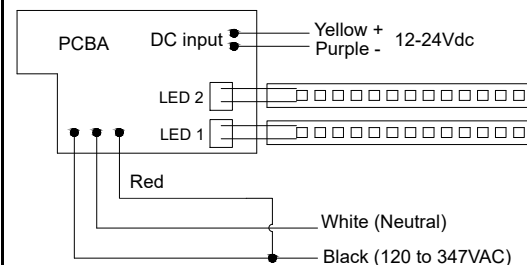


Figure 4

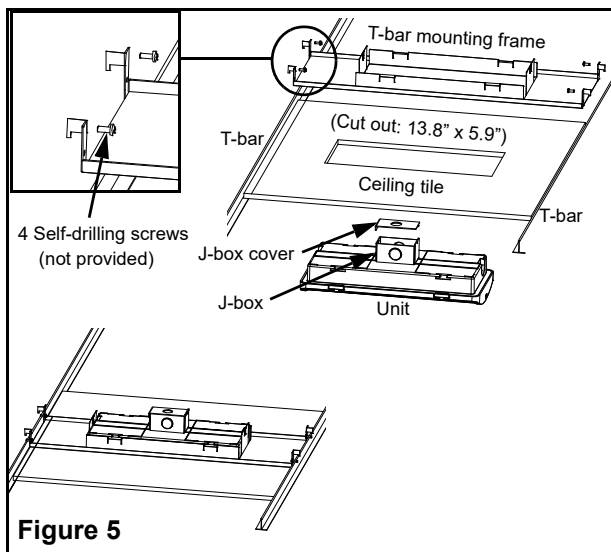


Figure 5

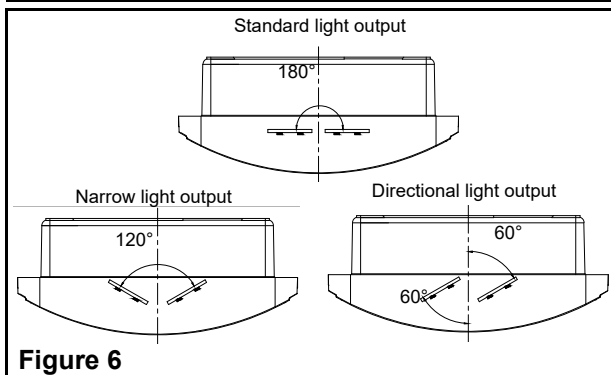


Figure 6