



The **Survive-All™ SVX Series** is designed specifically for high abuse areas, wet locations, and cold weather (-20C°) (-4F°) applications. It is ideally suited for schools, parking garages, public areas, transit platforms, and security areas/prisons.

### Self-Powered Exit Sign standard with Diagnostic/Self-Test circuitry

#### UL Listed

Complies with NEC, life safety Code and OSHA

#### Light Sources

- LED, Light Emitting Diodes, red LED's of ALINGAP technology

#### Sealed Maintenance-Free Batteries

- Nickel-Cadmium

#### Applications

- High Abuse Areas • Vandal Prone Areas • Damp and Wet Locations
- NEMA-4X Rated • Hose Down Areas • Cold Temperatures
- Food Processing/Preparation

## Standard Features

### Reliability

The **Survive-All™ SVX Series** has a 5-year full warranty.

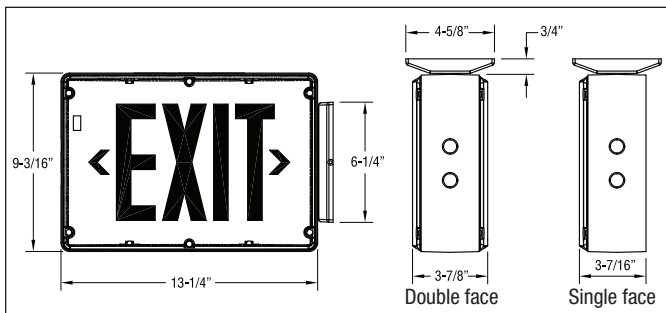
### Unit Data - NEMA 4X Rated

Rugged polyvinyl chloride body, will not dent, peel, rust or corrode. The sealed faceplate is constructed of heavy duty, vandal resistant polycarbonate and features an evenly illuminated legend. The fully gasketed faceplate is fastened with stainless steel tamper-resistant screws. Magnetically operated test switch. Models can be wall, end or ceiling mounted. Legend and chevron complies with UL and CSA requirements. To order combo unit see page 54.

**Survive-All SVX Series** signs are unaffected by the vibrations, ambient temperature swings and typical power surges detrimental to standard exit light sources.

## Outline and Dimensions

Dimensions are approximate and subject to change.



## Power Consumption

Model	AC Specs		DC Specs	
	Voltage	Power	Voltage	Time
AC-only	120 to 277 Vac	1.2 W	-	-
AC/DC	120 to 277 Vac	1.2 W	6 to 24Vdc	Less than 1.5 W
Self-powered	120 to 277 Vac	3.7 W	NiCad battery	Min. 90 minutes

## How To Order (example)

BB	SVXN	1	R	- D	- 4X	- FA
Color Option, Housing/Face	Series (120/277 Volt)	Faces	Legend colors	Diagnostics	Housing	Options
BB = Black/Black	SVX = AC-only	1 = Single face	R = Red	Standard on	NEMA 4X	See Optional Features
BW = Black/White	SVXN = Self-powered	2 = Double face	G = Green	all self-powered	housing standard	
BA = Black/Aluminum	Nickel-Cadmium Battery			Models		
GB = Gray/Black						
GW = Gray/White						
GA = Gray/Aluminum						
WB = White/Black						
WW = White/White						
WA = White/Aluminum						

## High Performance Circuitry

- Self Contained... Batteries & circuitry located inside the exit housing.
- Continuous self-diagnostic monitoring and monthly self testing.
- Fully automatic charger is solid state.
- AC, AC/DC and Self-Powered Models have universal, 2-wire input 120V to 277Vac 50/60 Hz.
- Sealed, maintenance-free Nickel-Cadmium battery provides 90 minutes of emergency operation.
- Batteries recharge per UL924 requirements.
- Each unit comes standard with one tamper-proof driver bit. To order extra: part #690.0454

## Diagnostic / Self Test Feature (Standard)

Diagnostic / Self Test circuitry is standard on all self-powered models. This circuitry is programmed to ensure the exits readiness and reliability by continuously monitoring every critical function of the unit. If a problem occurs, a single "Service Required" indicator illuminates immediately. A detailed diagnostic display is located on the inside of the exit sign, out of sight from the general public. The detailed diagnostic display inside the exit sign will further indicate the nature of the fault. The self test will test the unit for 30 seconds every 30 days, 30 minutes every 60 days and 90 minutes annually

## Optional Features

Description	Add Suffix
AC/DC (6-48Vdc) .....	-DC
Cold Weather (-20°C)(-4°F) (Self-Powered).....	-CW
2 Circuit (120/120 or 277/277).....	-2CKT*
Fire Alarm Activated Flasher (Self-Powered Only) .....	-FA
Flasher/Buzzer (Self-Powered Only) .....	-FB
Canopy Pendant Mount .....	-CM
Special Wordings (Contact Factory)	

### Accessories (order as a separate item)

- Tamper-Proof Bit ..... part # 690.0454-E
- Convert single to double face, red.....DFKR
- Convert single face to double face, green.....DFKG