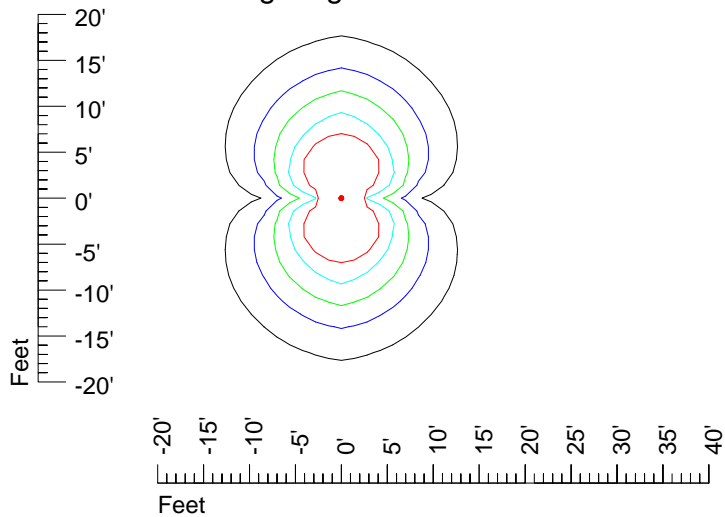


IES Photometric files 4510

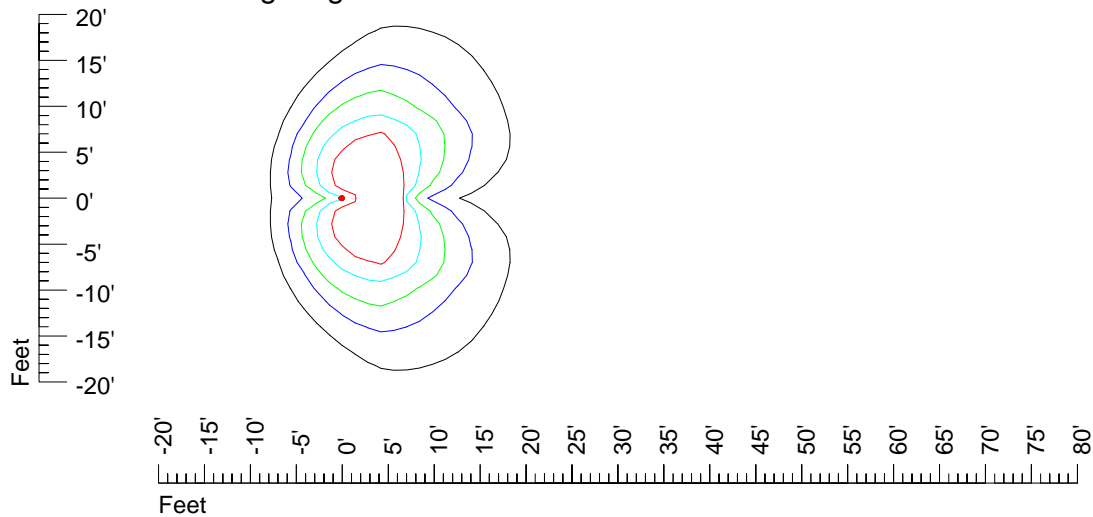
Isoline template 7' mounting height

Isoline values — 0.1 fc — 0.25 fc — 0.5 fc — 1.0 fc — 2.0 fc

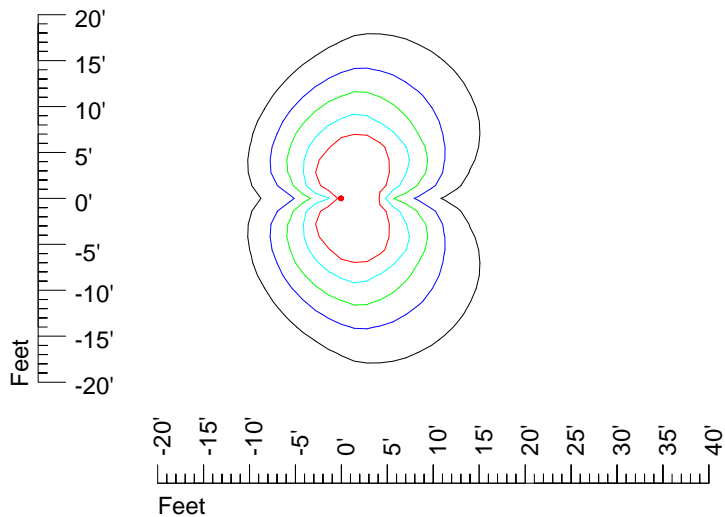
Mounting height 7' Tilt 0°



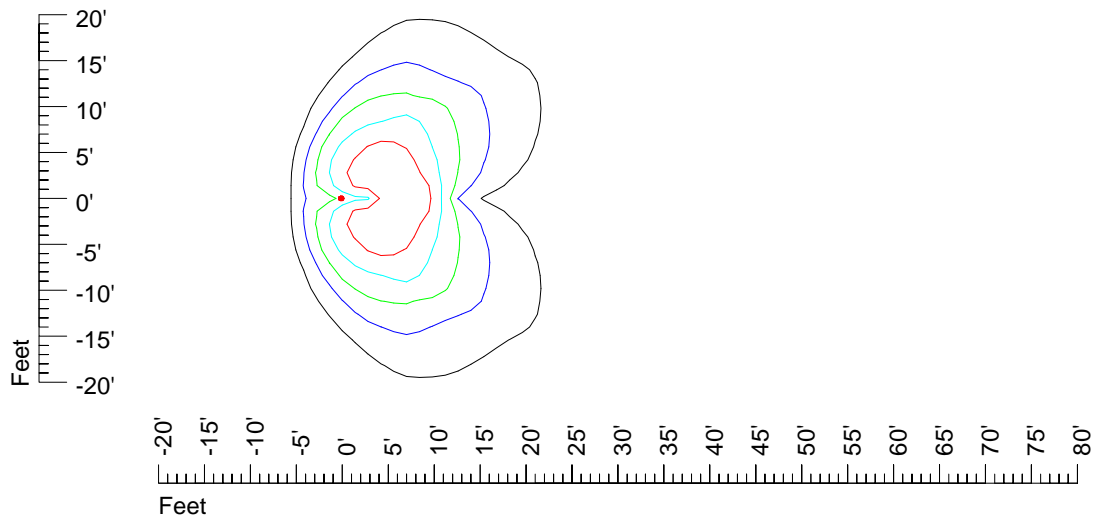
Mounting height 7' Tilt 30°



Mounting height 7' Tilt 15°



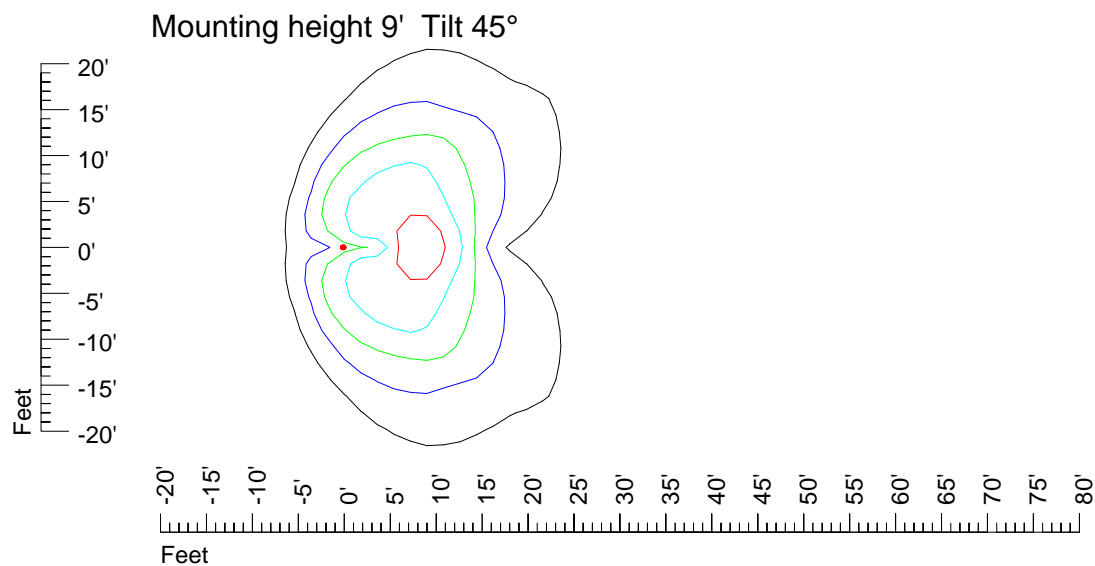
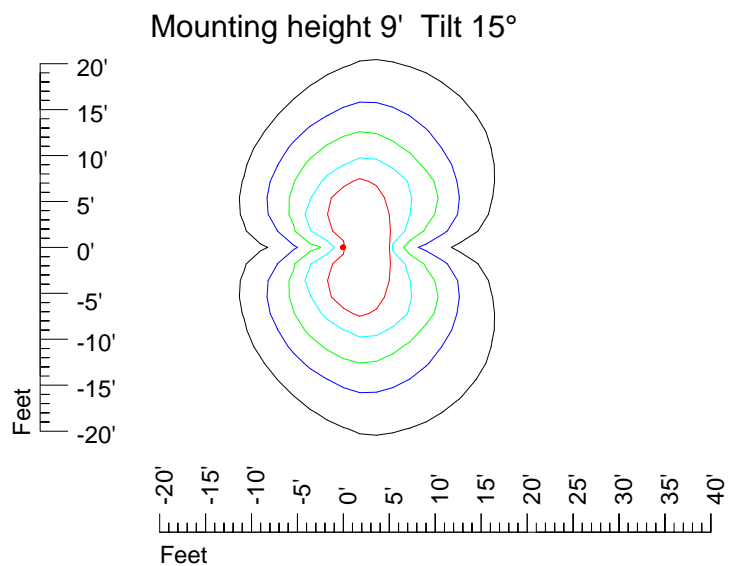
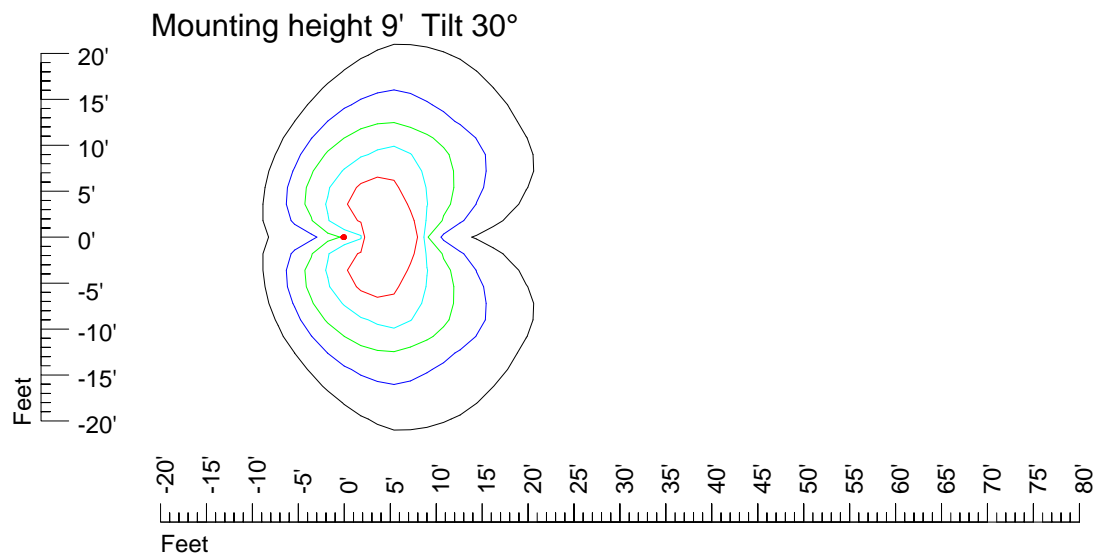
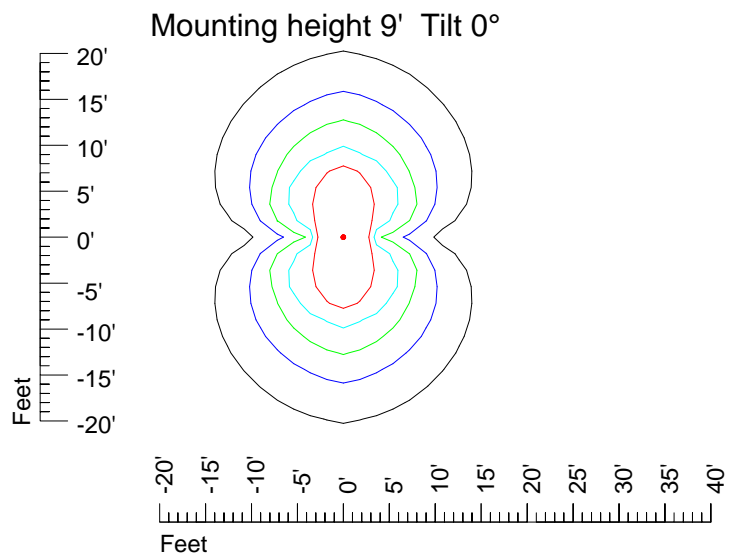
Mounting height 7' Tilt 45°



IES Photometric files 4510

Isoline template 9' mounting height

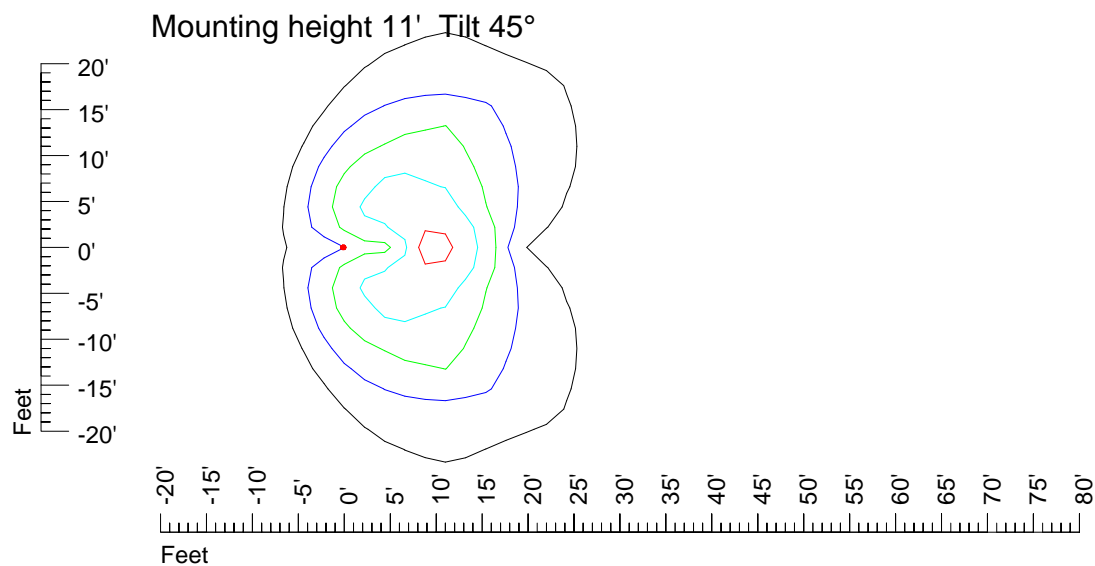
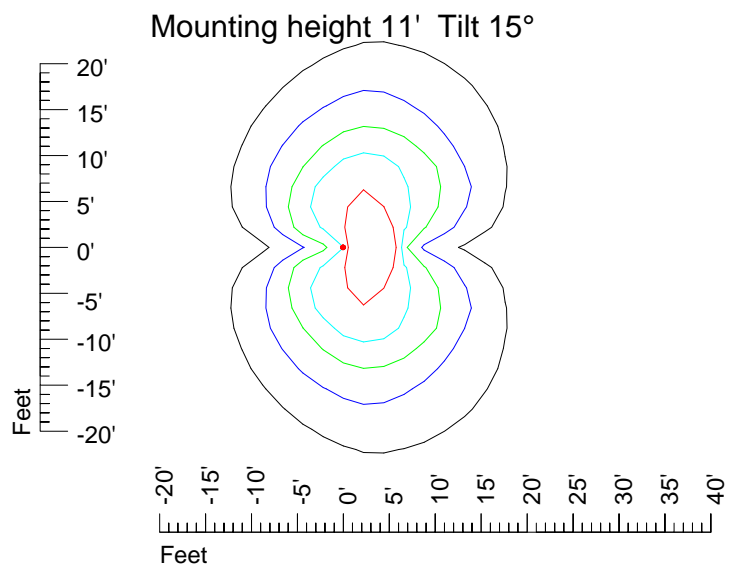
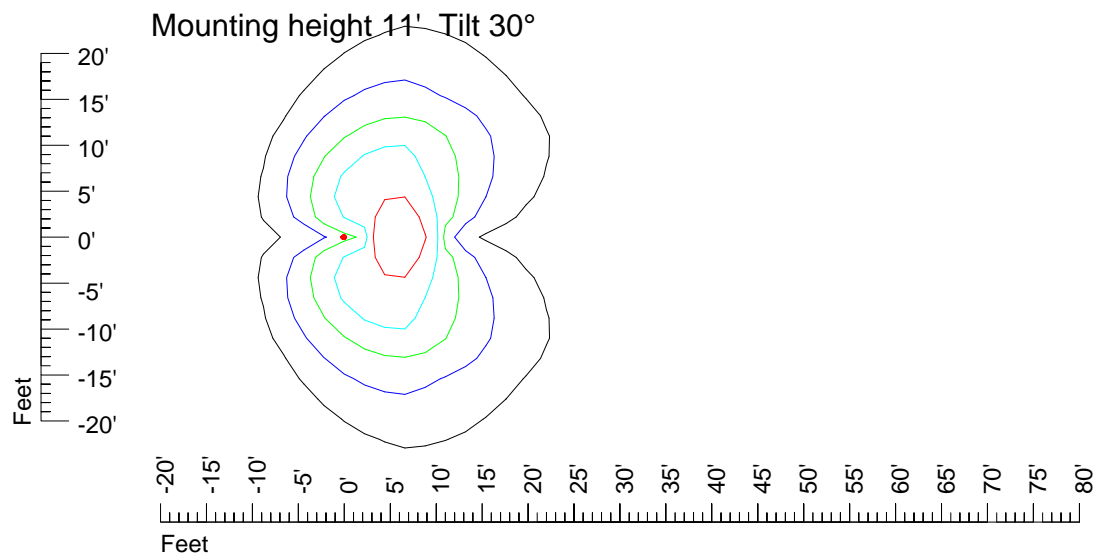
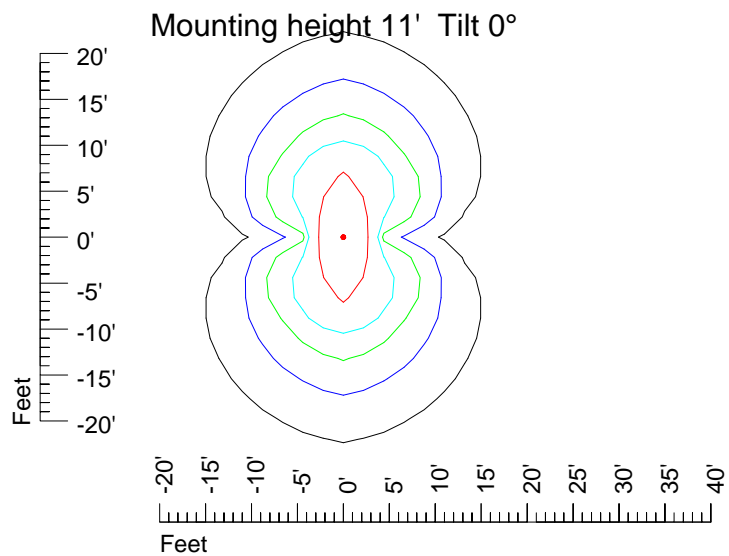
Isoline values — 0.1 fc — 0.25 fc — 0.5 fc — 1.0 fc — 2.0 fc



IES Photometric files 4510

Isoline template 11' mounting height

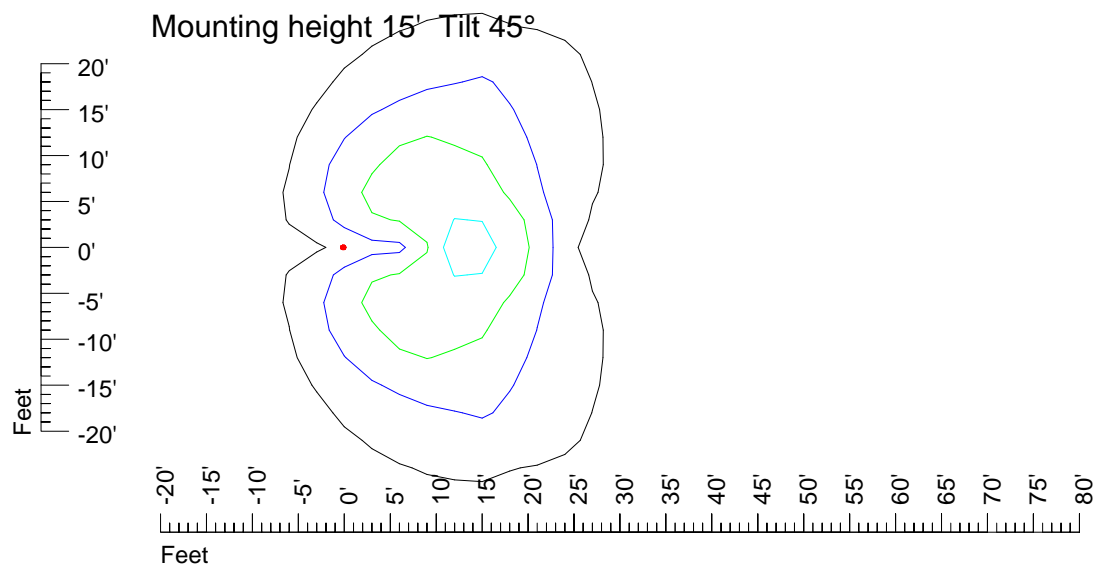
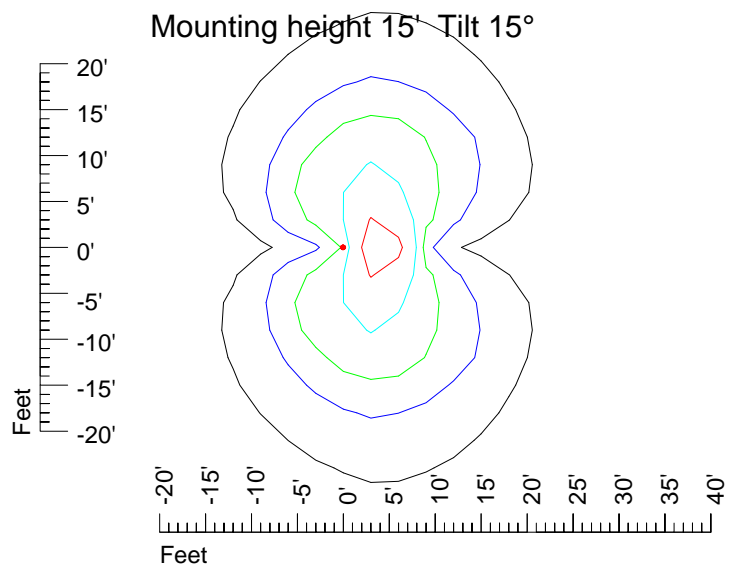
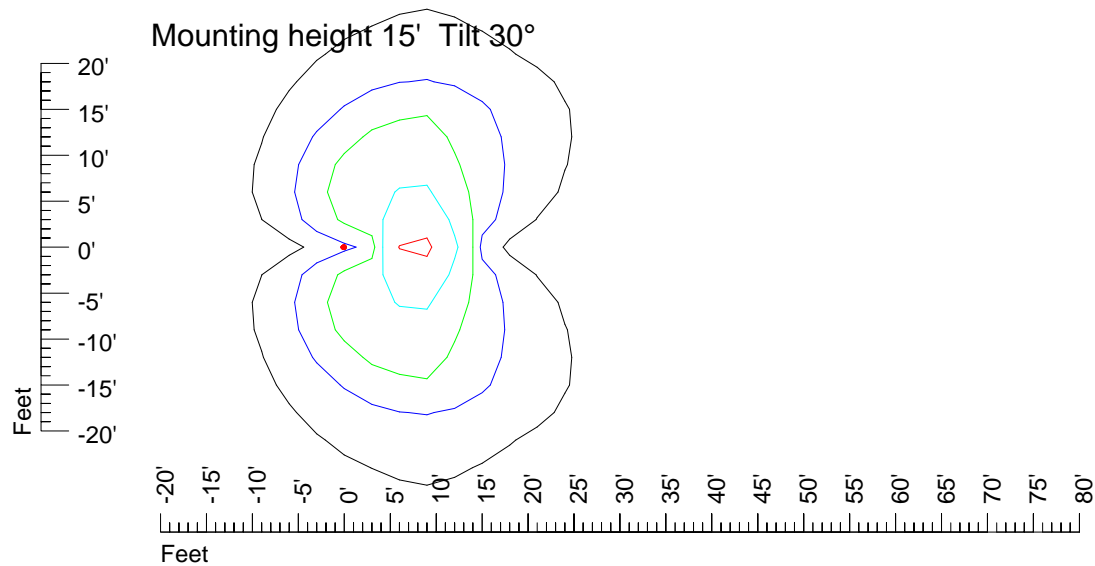
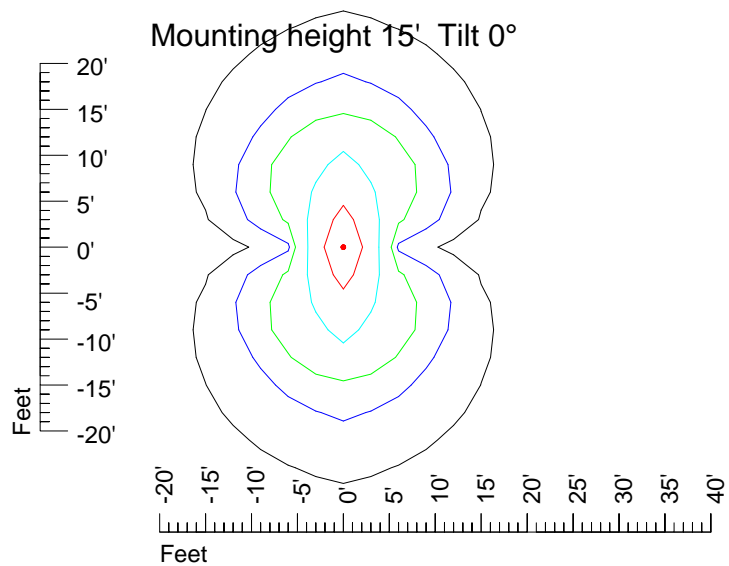
Isoline values — 0.1 fc — 0.25 fc — 0.5 fc — 1.0 fc — 2.0 fc



IES Photometric files 4510

Isoline template 15' mounting height

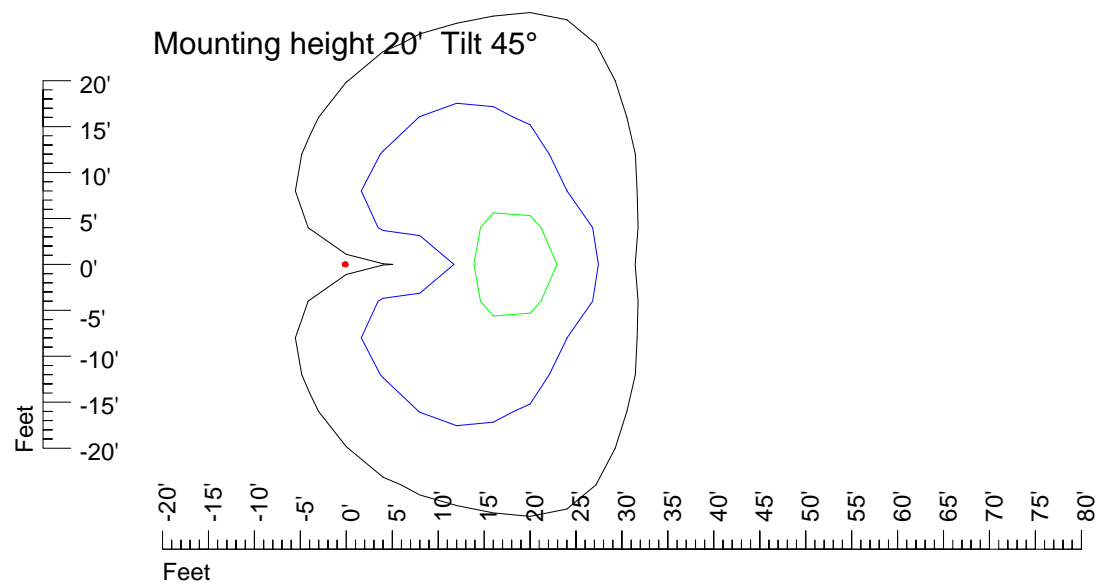
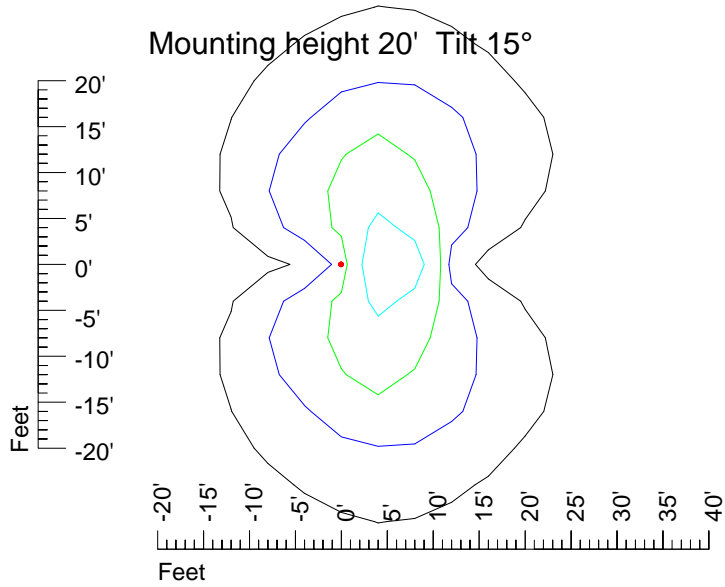
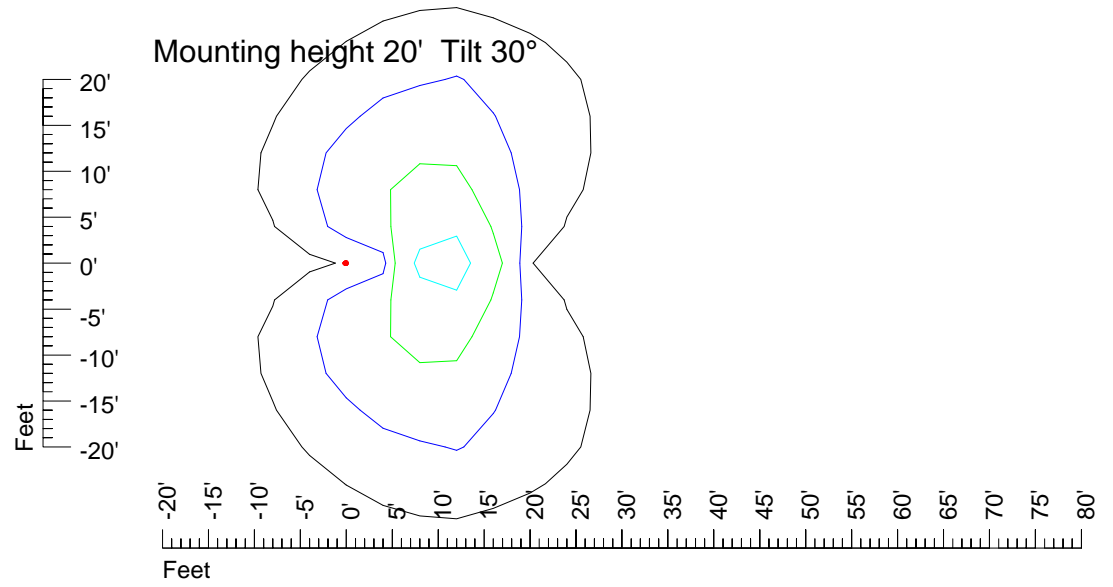
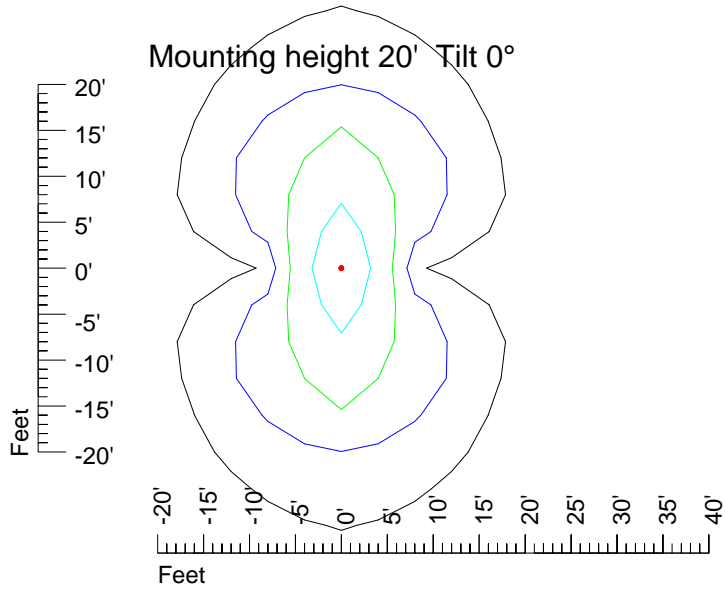
Isoline values — 0.1 fc — 0.25 fc — 0.5 fc — 1.0 fc — 2.0 fc



IES Photometric files 4510

Isoline template 20' mounting height

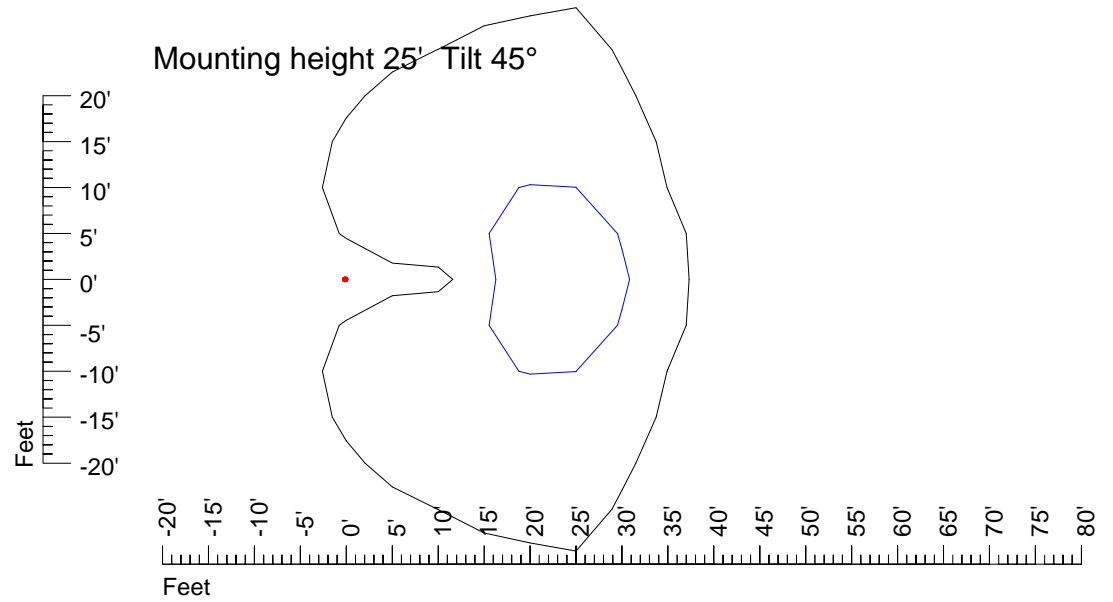
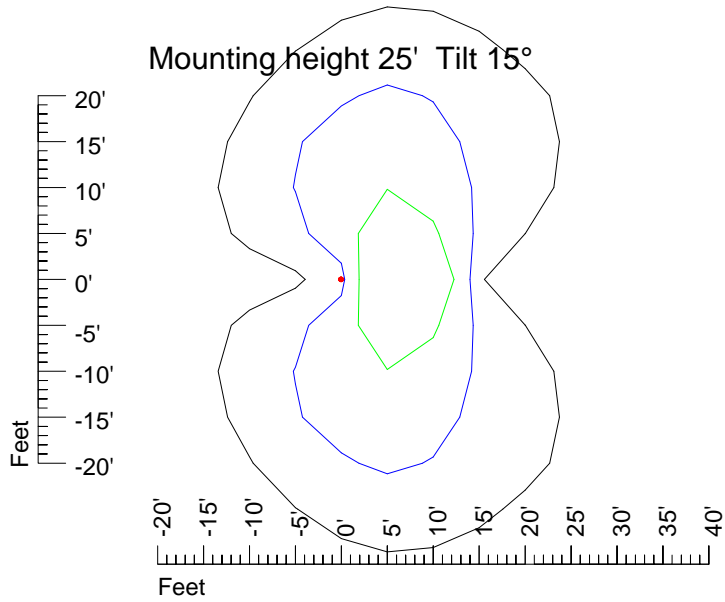
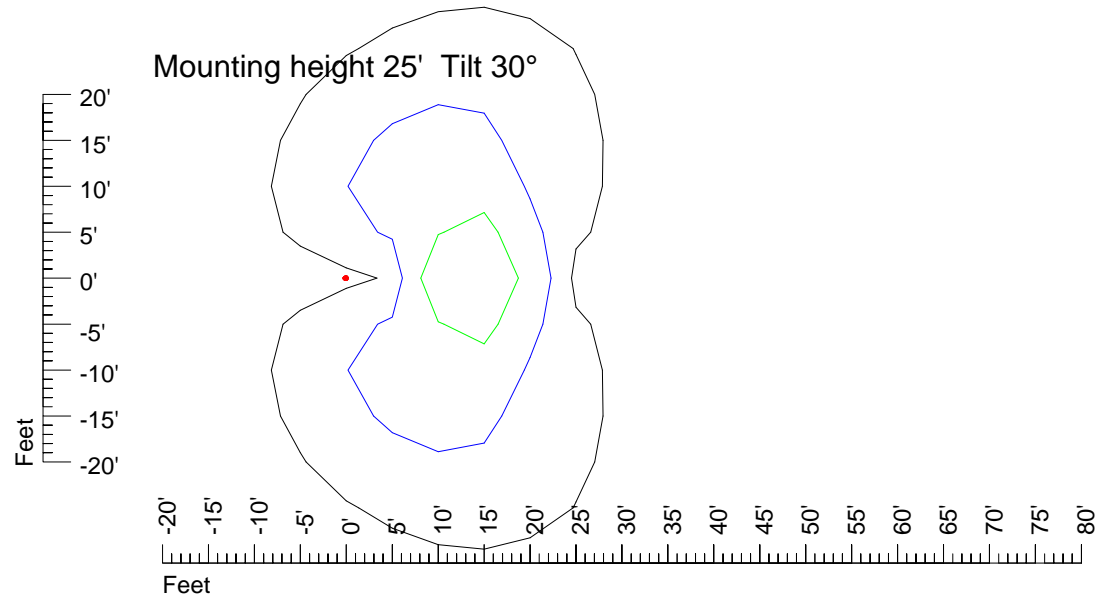
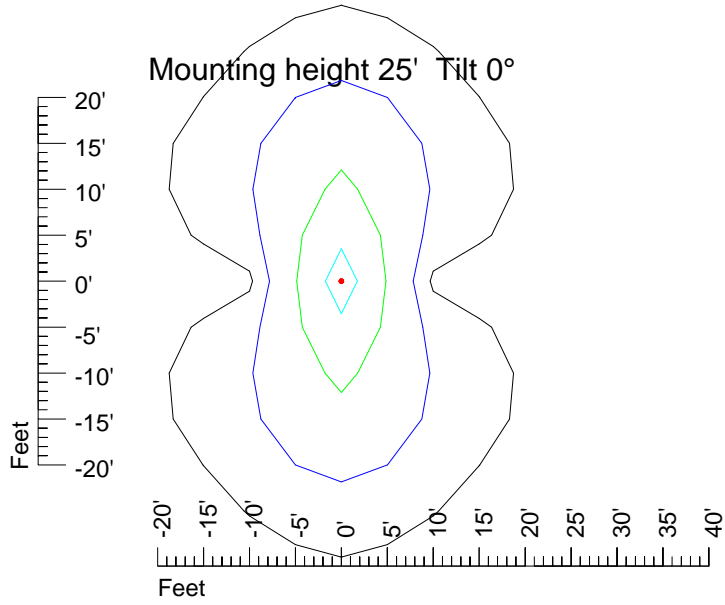
Isoline values — 0.1 fc — 0.25 fc — 0.5 fc — 1.0 fc — 2.0 fc



IES Photometric files 4510

Isoline template 25' mounting height

Isoline values — 0.1 fc — 0.25 fc — 0.5 fc — 1.0 fc — 2.0 fc



IES Photometric files 4510

Isoline template 30' mounting height

Isoline values — 0.1 fc — 0.25 fc — 0.5 fc — 1.0 fc — 2.0 fc

