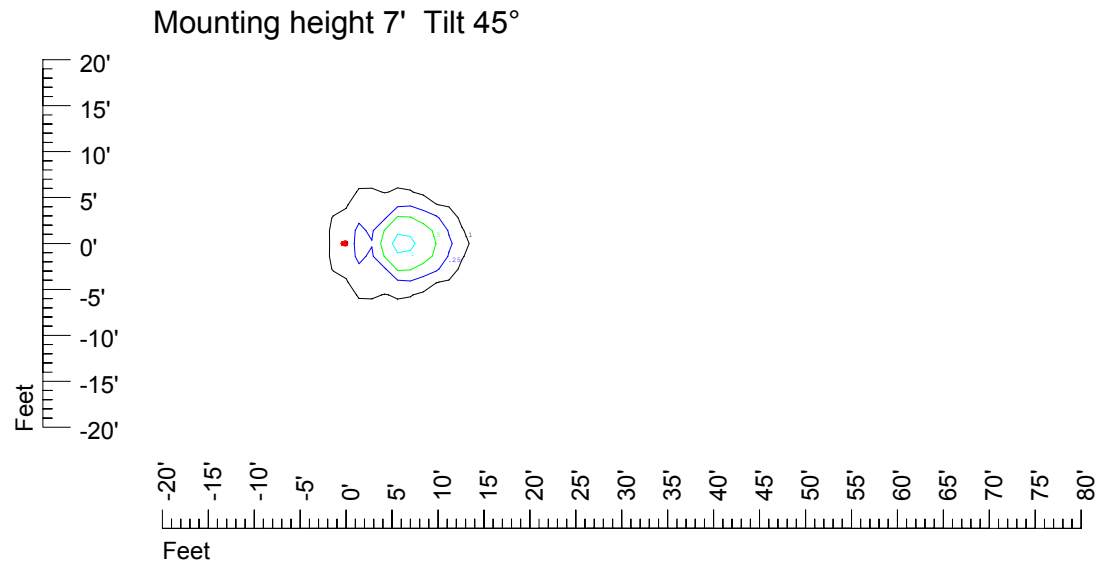
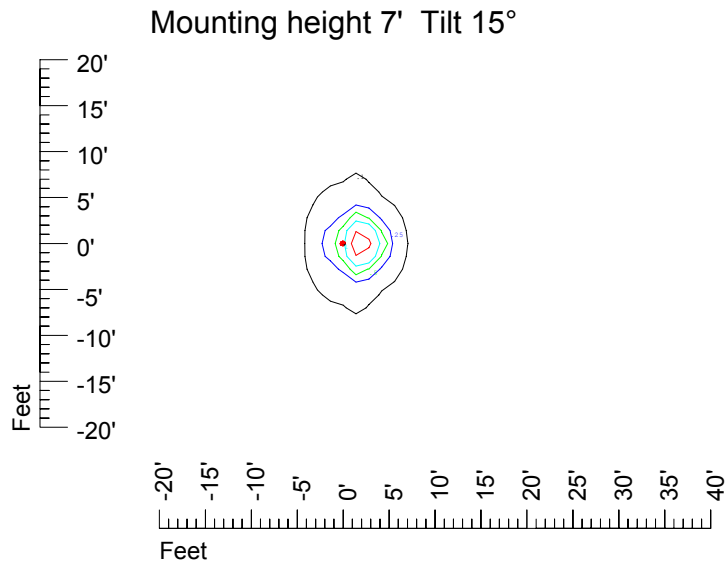
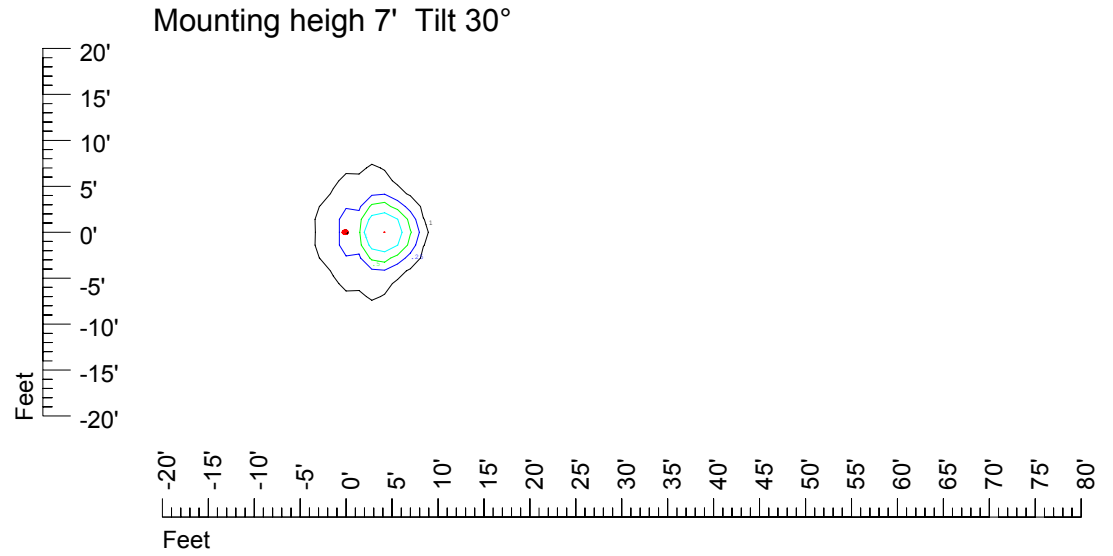
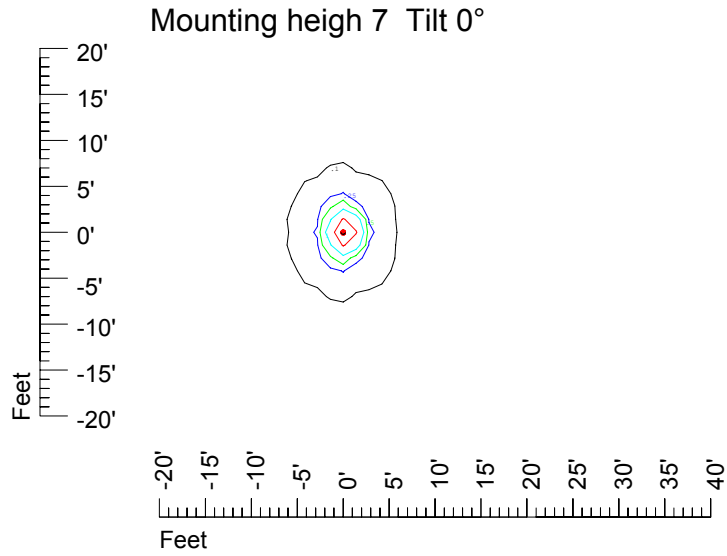


IES Photometric files C9264

Isoline template at 7 mounting height

Isoline values — 0.1 fc — 0.25 fc — 0.5 fc — 1.0 fc — 2.0 fc

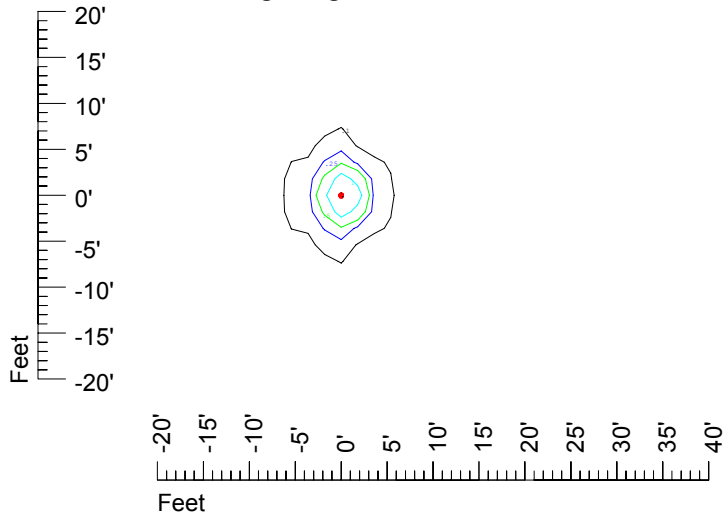


IES Photometric files C9264

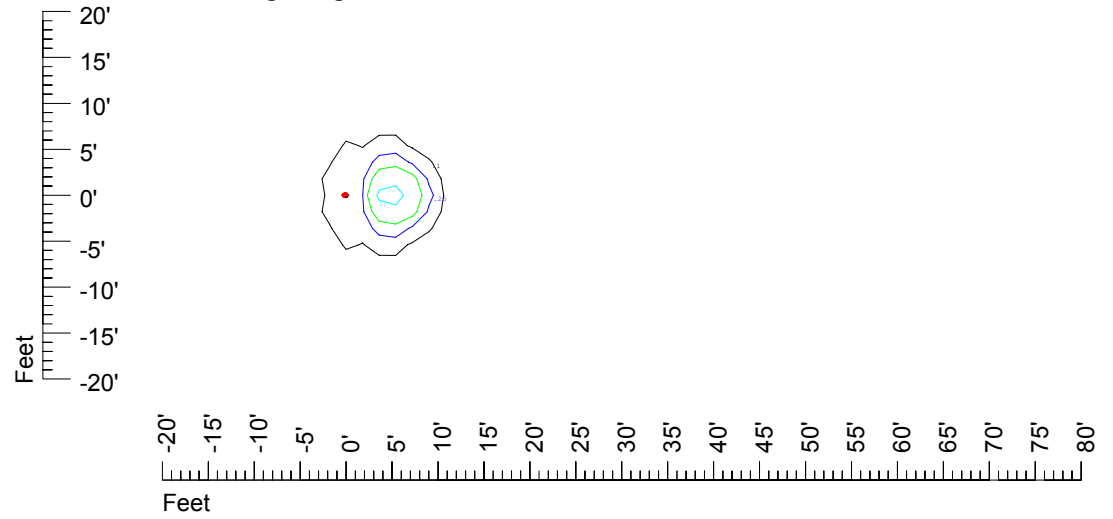
Isoline template at 9 mounting height

Isoline values — 0.1 fc — 0.25 fc — 0.5 fc — 1.0 fc — 2.0 fc

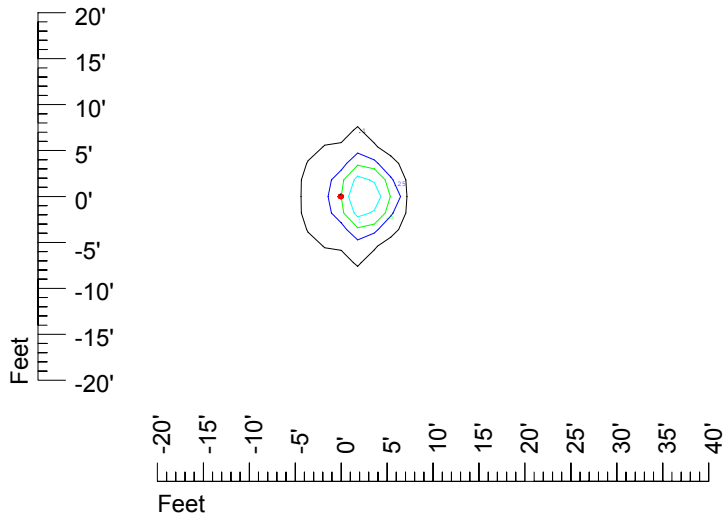
Mounting height 9' Tilt 0°



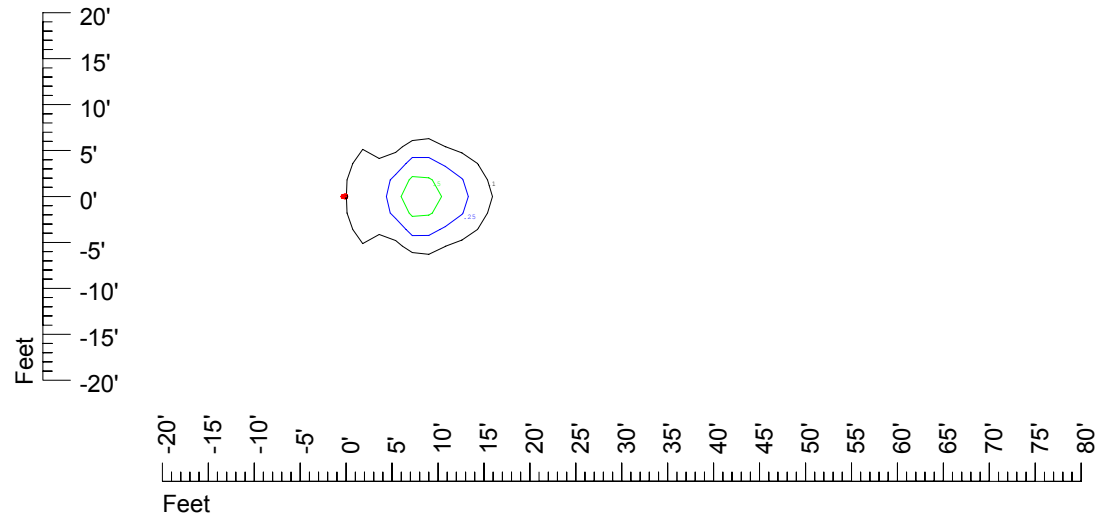
Mounting height 9' Tilt 30°



Mounting height 9' Tilt 15°



Mounting height 9' Tilt 45°

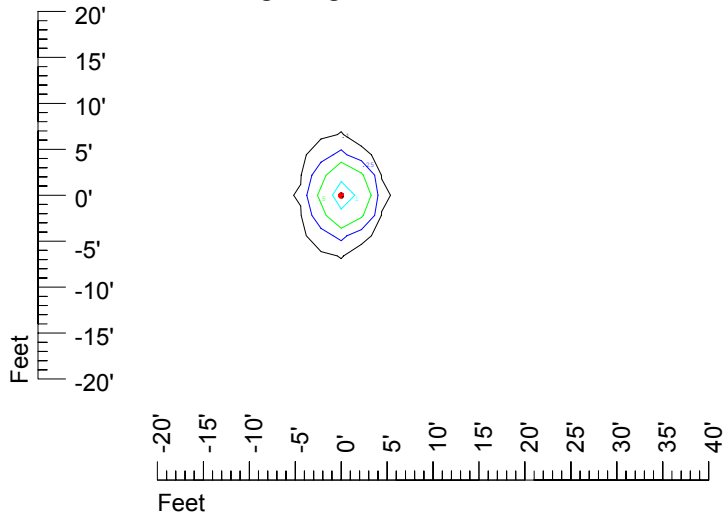


IES Photometric files C9264

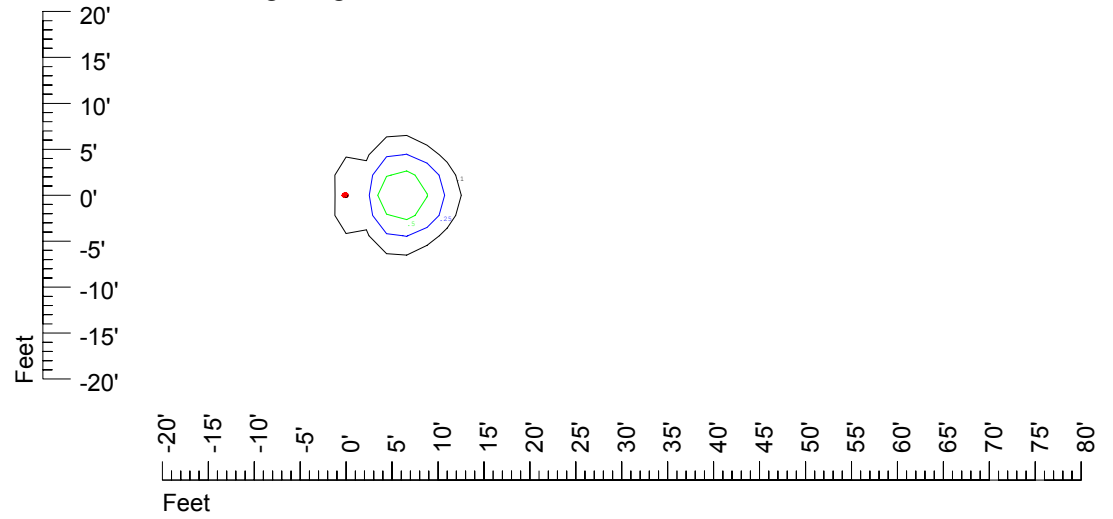
Isoline template at 11 mounting height

Isoline values — 0.1 fc — 0.25 fc — 0.5 fc — 1.0 fc — 2.0 fc

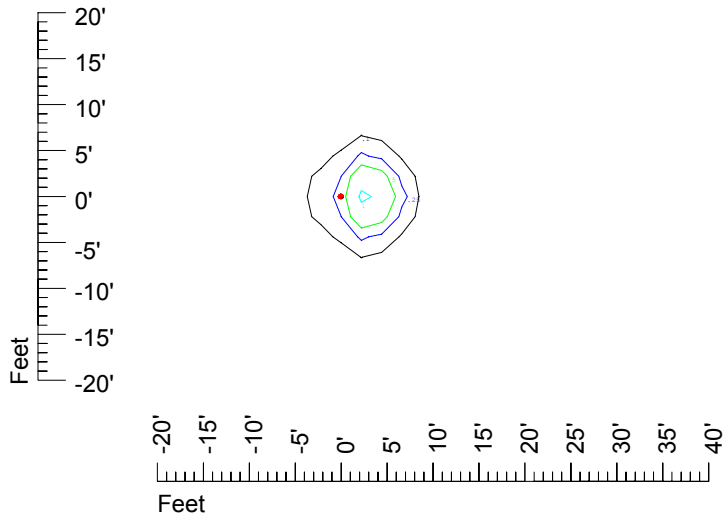
Mounting height 11' Tilt 0°



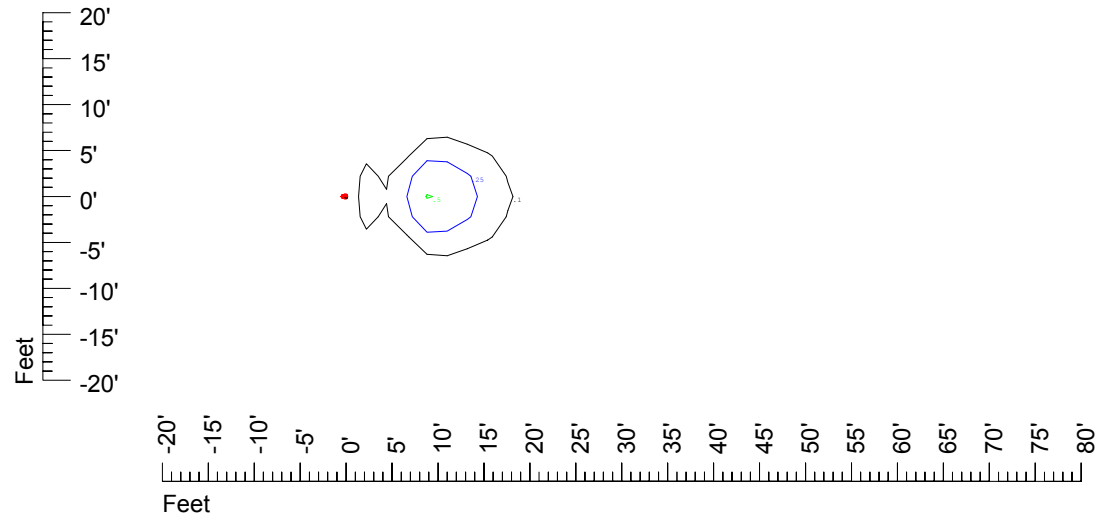
Mounting height 11' Tilt 30°



Mounting height 11' Tilt 15°



Mounting height 11' Tilt 45°

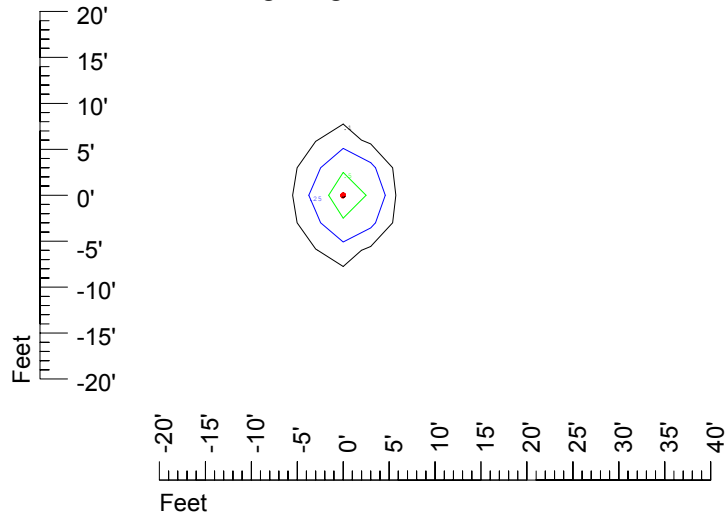


IES Photometric files C9264

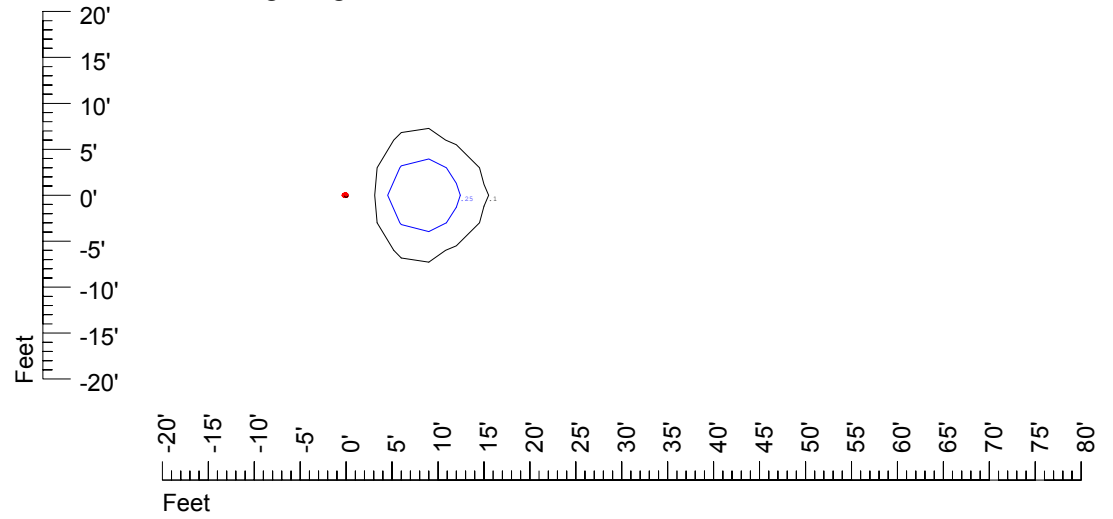
Isoline template at 15 mounting height

Isoline values — 0.1 fc — 0.25 fc — 0.5 fc — 1.0 fc — 2.0 fc

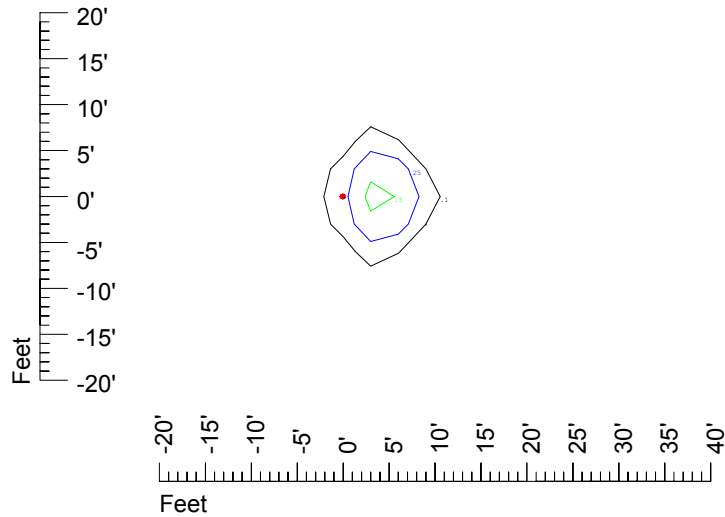
Mounting height 15' Tilt 0°



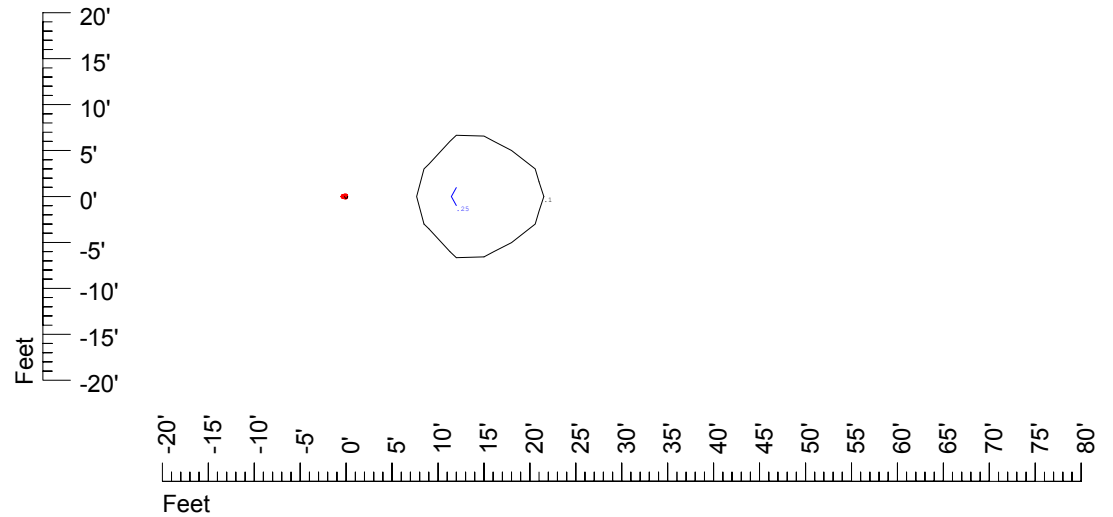
Mounting height 15' Tilt 30°



Mounting height 15' Tilt 15°



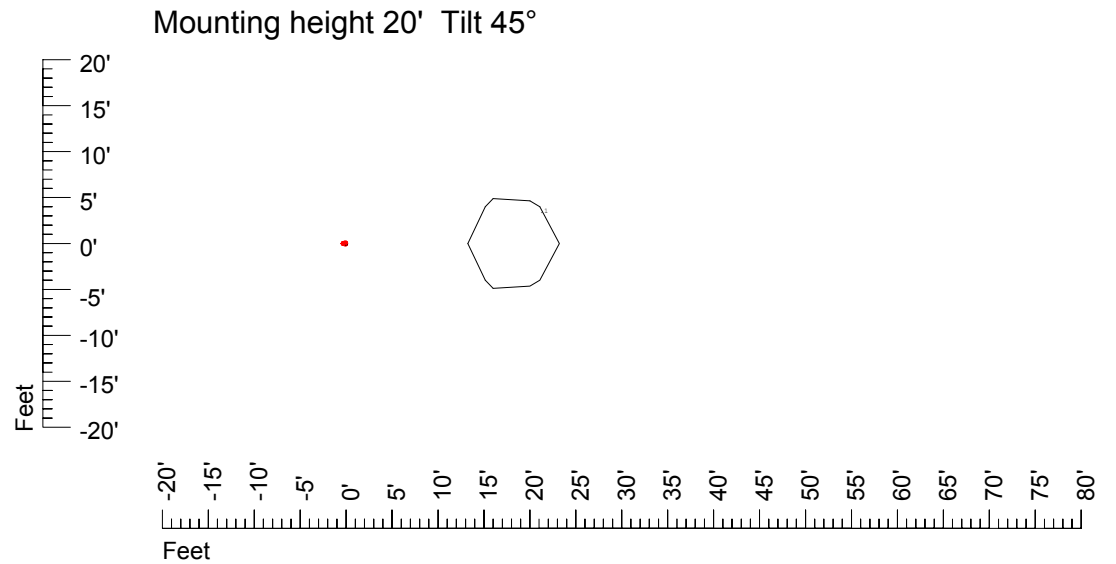
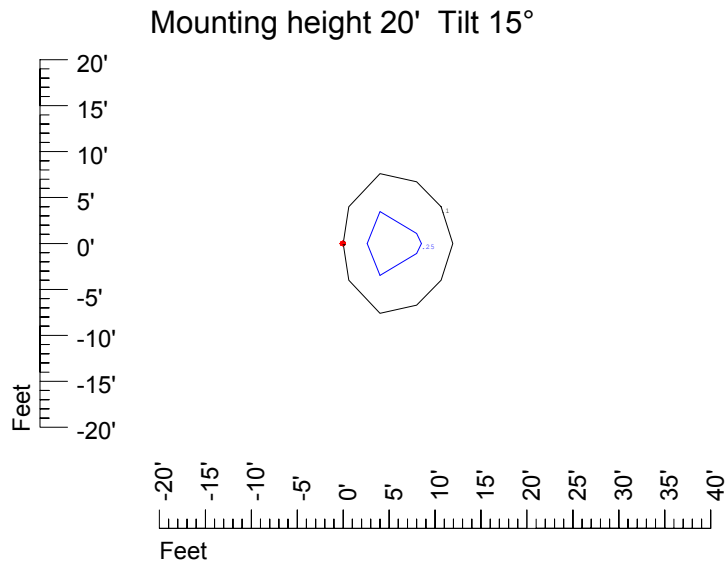
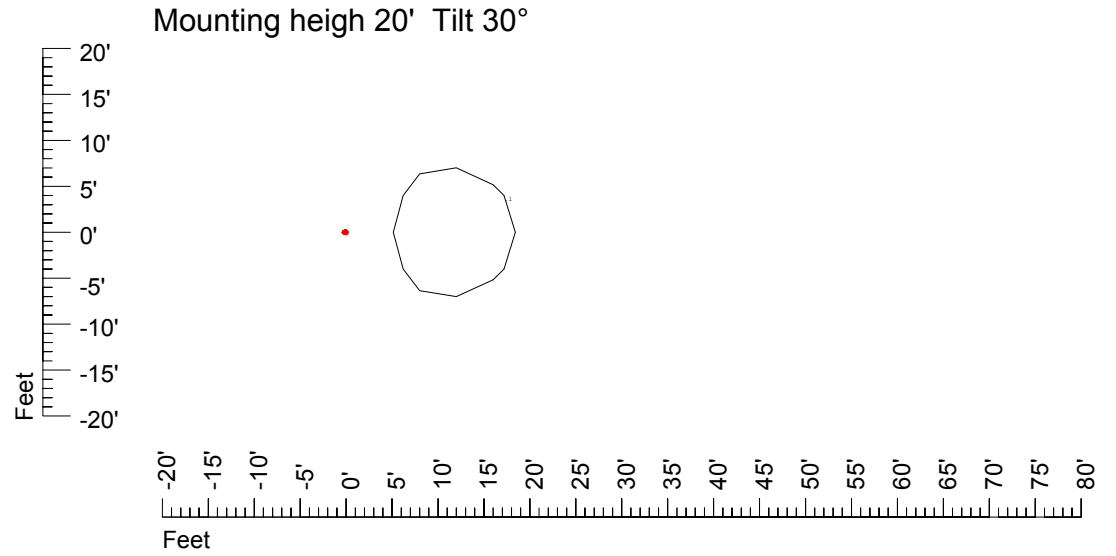
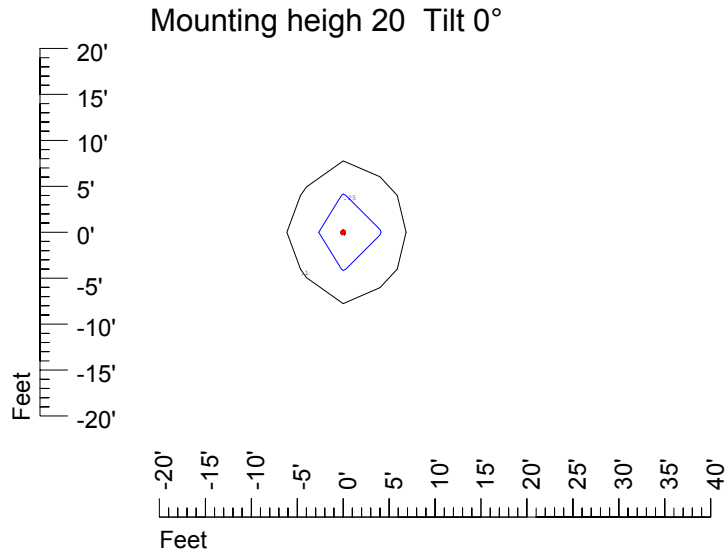
Mounting height 15' Tilt 45°



IES Photometric files C9264

Isoline template at 20 mounting height

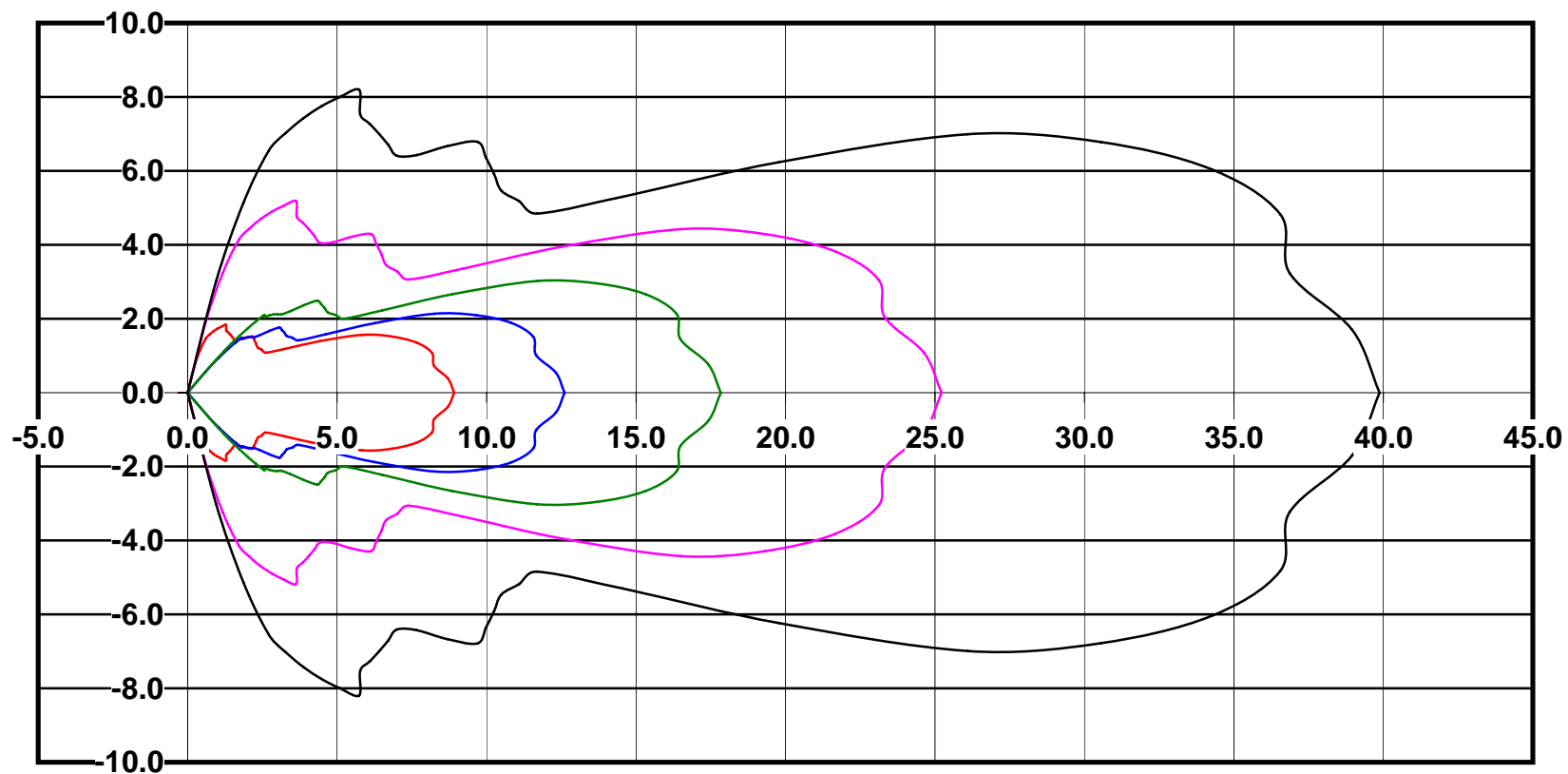
Isoline values — 0.1 fc — 0.25 fc — 0.5 fc — 1.0 fc — 2.0 fc



IES File: C9264

Lighting level in fc / Distance in feet

Vertical plan 0° to 180°
Horizontal plan 0°



— 2 fc — 1 fc — 0.5 fc — 0.25 fc — 0.1 fc